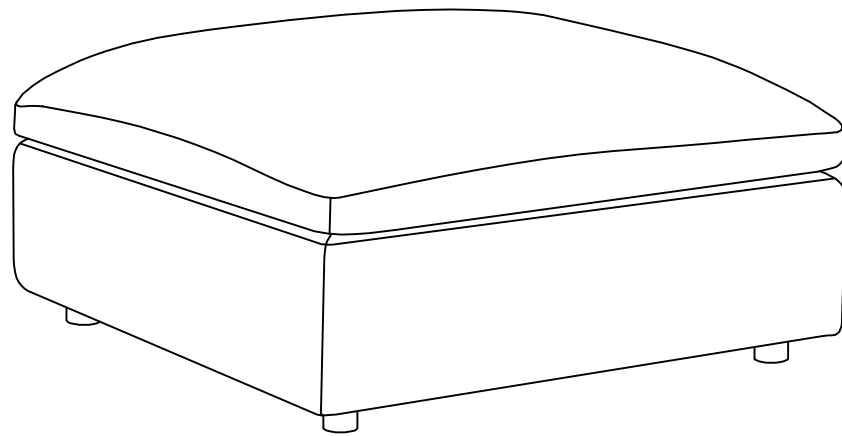
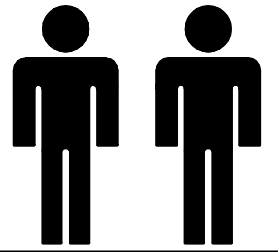


ASSEMBLY INSTRUCTION

20MINS

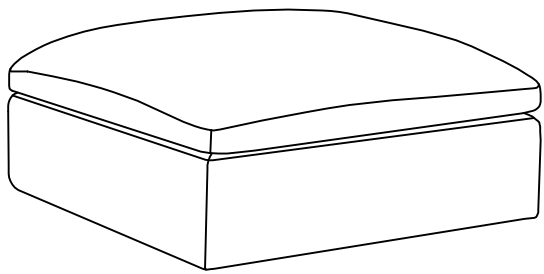
APPROXIMATE ASSEMBLY TIME

2 PERSON ASSEMBLY



PART LIST

A



X1

B



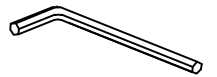
X4

C



X4

D



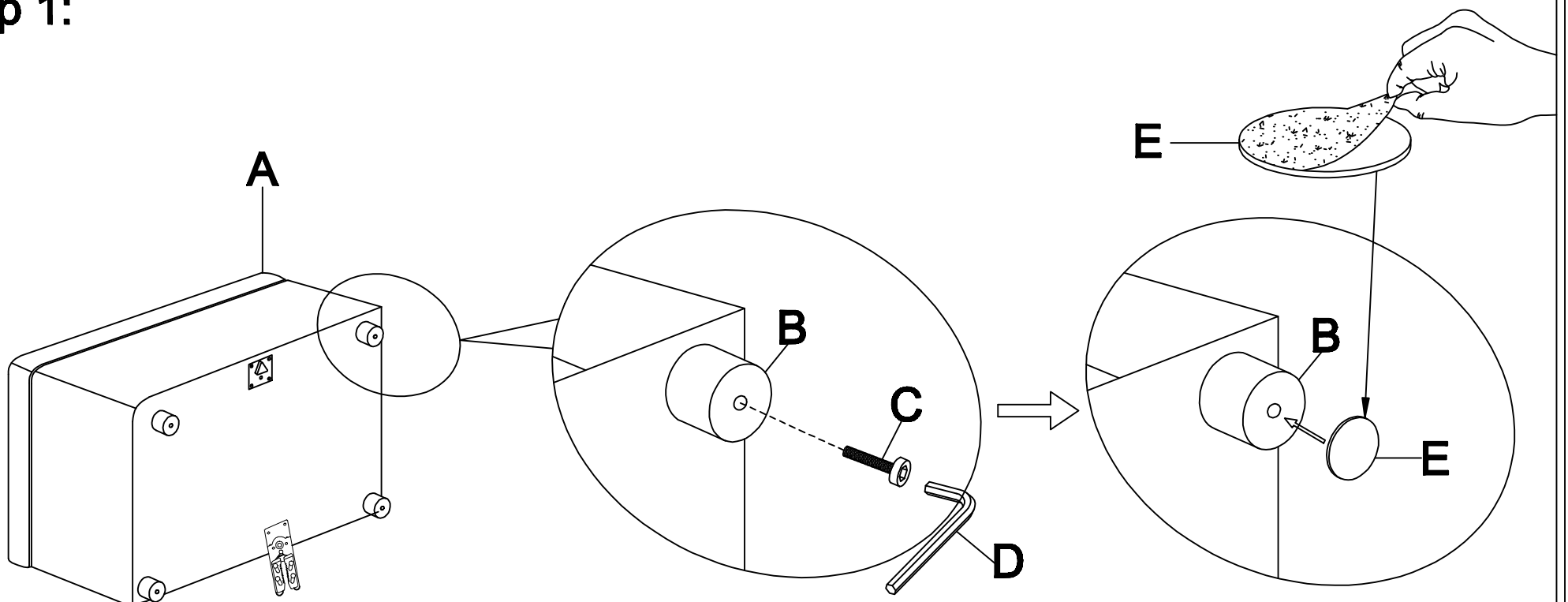
X1

E

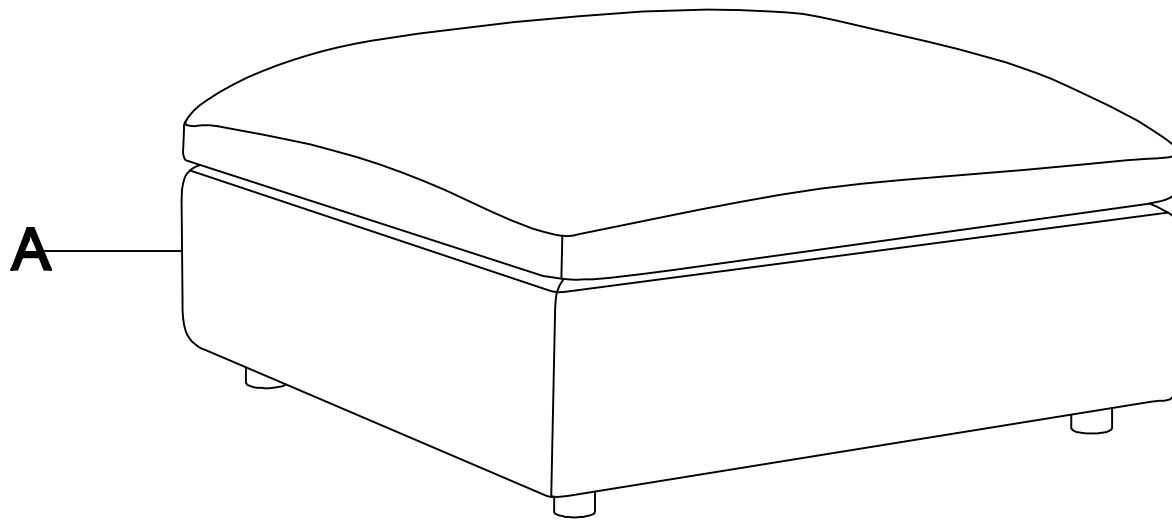


X4

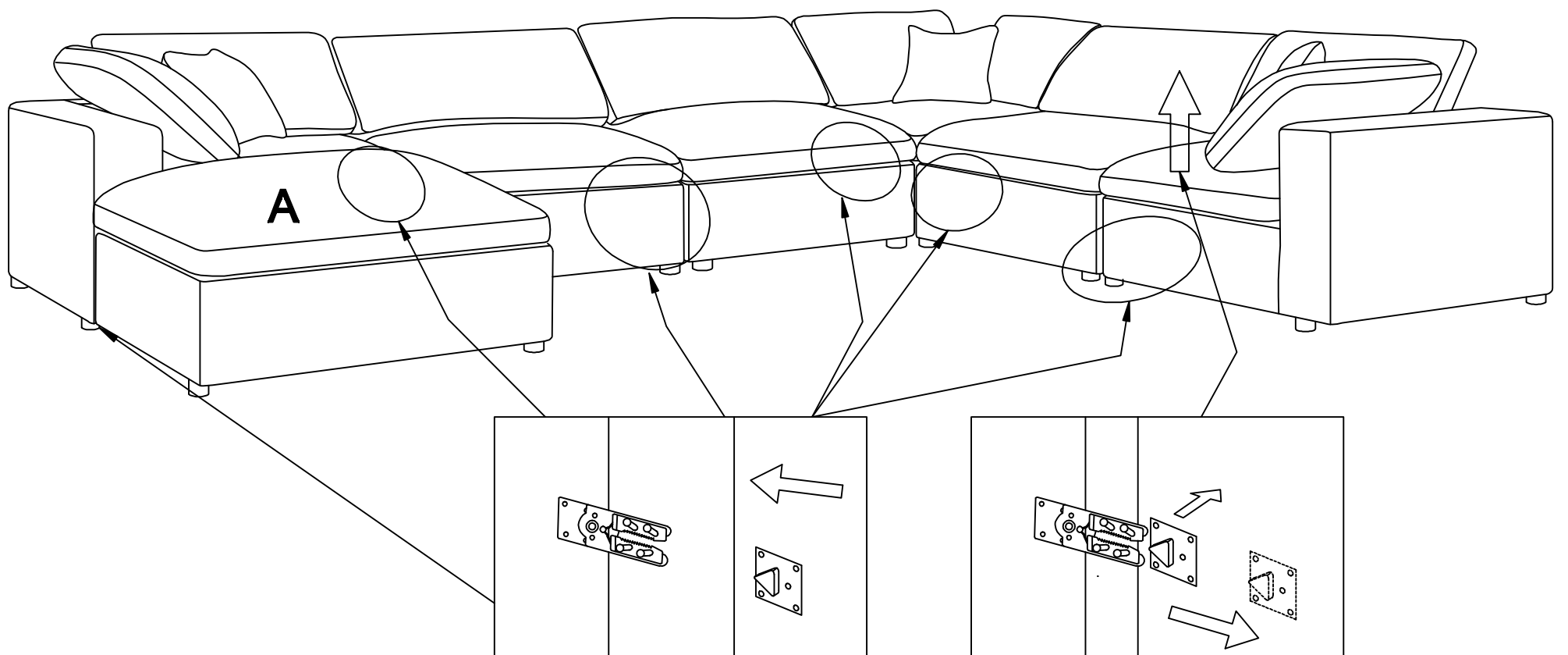
Step 1:



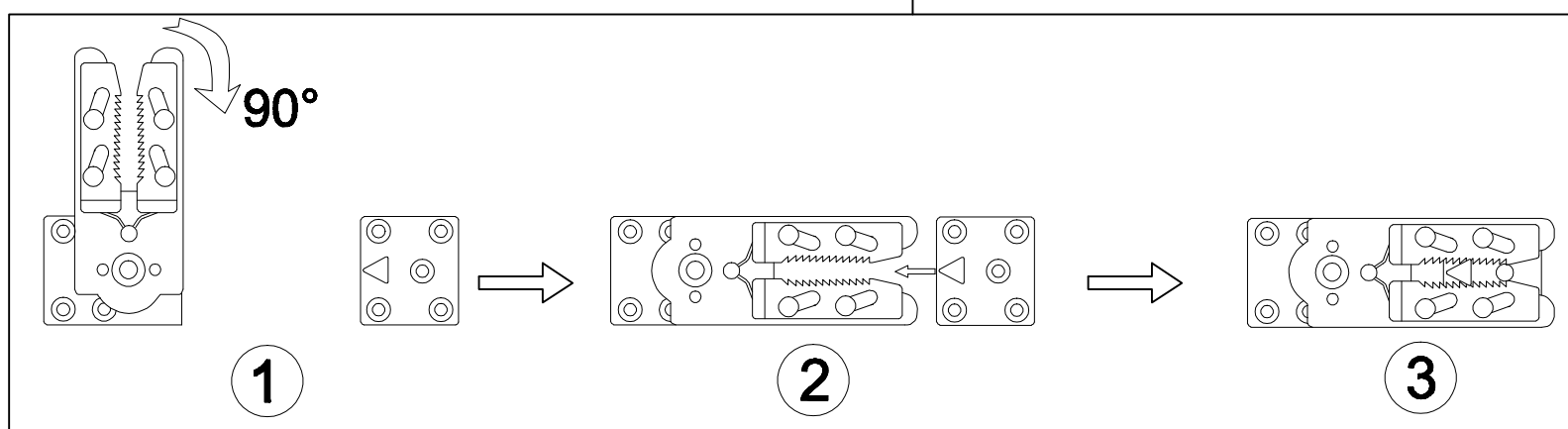
Step 2:



Step 3:



*TO CONNECT:



* TO DISCONNECT:

