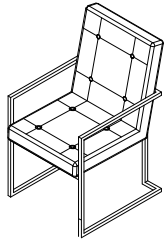


Item No.DCK70

## Assembly Instructions



Please install the products on carpet or soft place

### Parts List

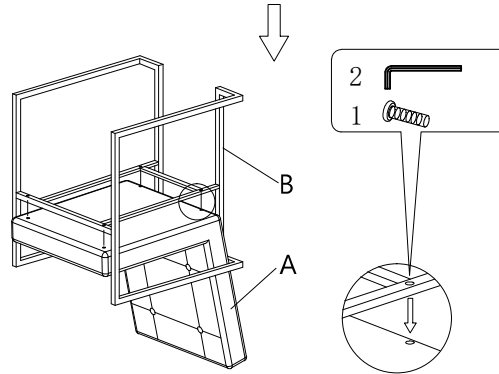
No.	Sketch	Description	Qty
A		Chair Body	1
B		Chair Base	1

### Hardware List

No.	Sketch	Description	Qty
1		Bolts M6x50	4
2		Allen Key	1

### STEP 1

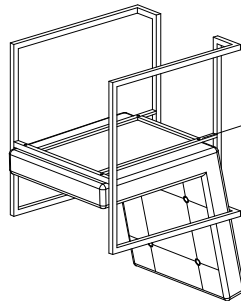
1. 50% tighten all the screws



The hole spacing corresponds to the B

### STEP 2

2. Tighten all the screws



### COMPLETED

