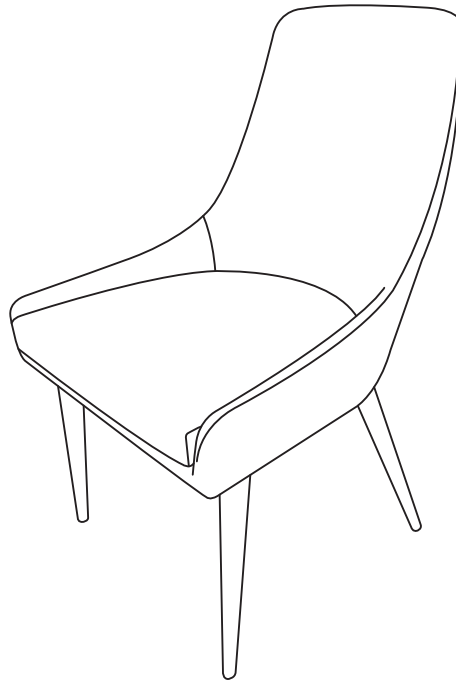





Assembly Instructions


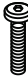






Please install the products on carpet or soft place.

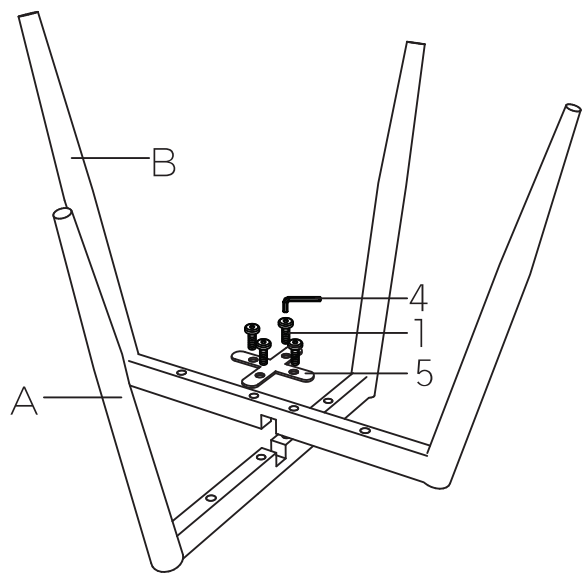
Parts List

No.	Sketch	Description	Qty
A		Leg A = The Hole Position Upward	1
B		Leg B = The Hole Position Downward	1
C		Chair Seat	1

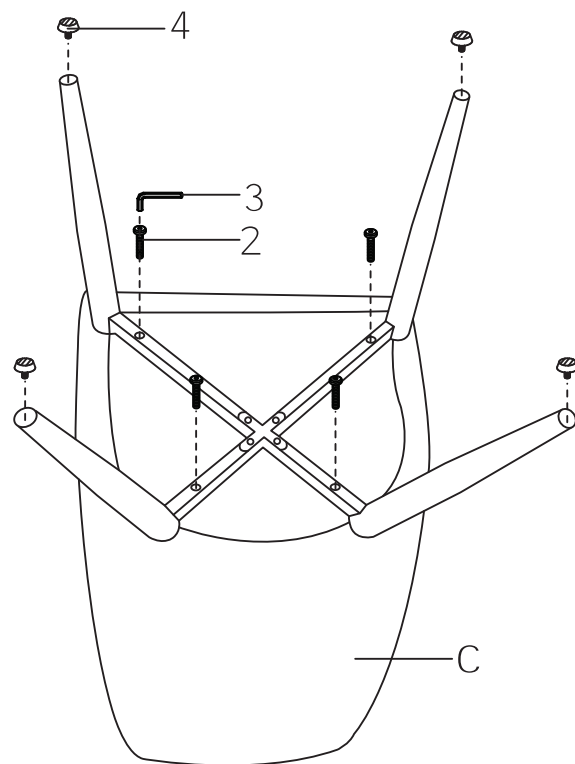
Hardware List

No.	Sketch	Description	Qty
1		Bolts M6x12	4
2		Bolts M8x50	4
3		Allen Key M5	1
4		Allen Key M4	4
5		Cross Flat Plate Fitting	1
6		Adjustable Feet	4

STEP 1



STEP 2



COMPLETED

