










Assembly Instructions

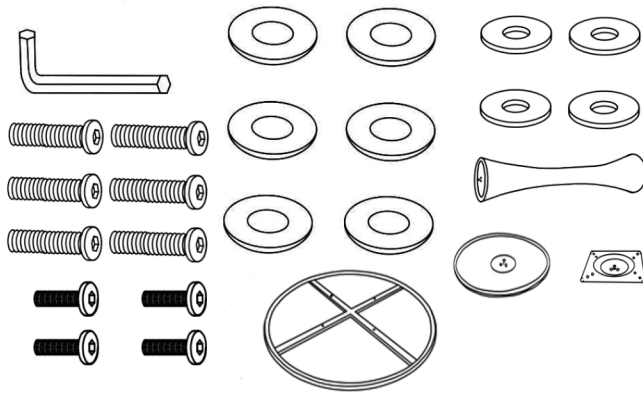
Note: Please read the AI before you proceed.







Parts List

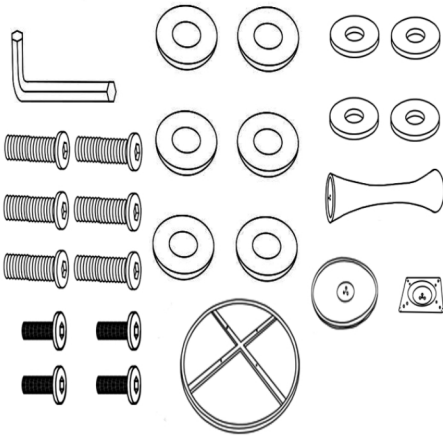
NO.	Picture	Description	Qty
A		Table Top	1
B		Middle Stand	1
C		Table Base	1
D		Tray	1
E	 M8X30	Screw	6
F	 M6X16	Screw	4
G	 M8X18	Gasket	6
H	 M6X18	Gasket	4
I	 M5	Allen Key	1

Assembly Preparation Before Beginning Assembly



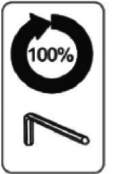
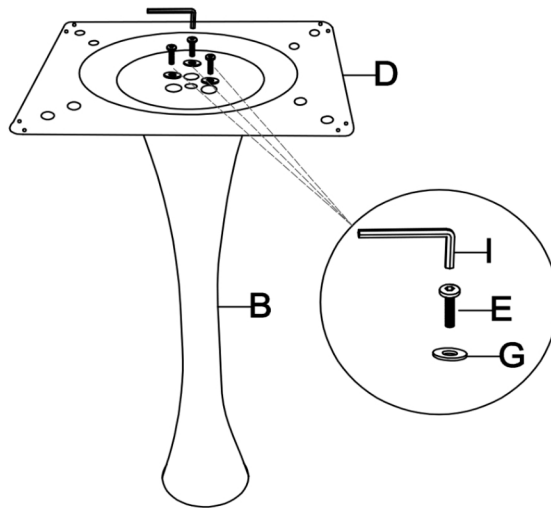
-  • Read instructions, cover to cover.
-  • Have 2 adults on hand for assembly.
-  • Please install the products on carpet or soft place.
-  • Save all packaging until finished.

Step 1



Unpack and place all parts on a clean, soft surface

Step 2



Step 3

