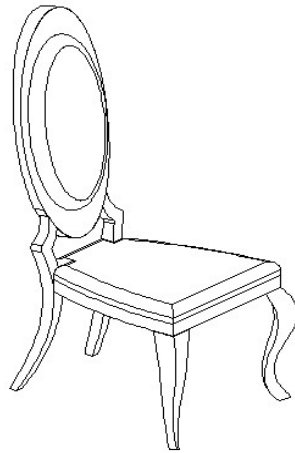


Assembly Instruction



ASSEMBLY TIME PER UNIT:	20MINUTES
-------------------------	-----------

PARTS IDENTIFICATION

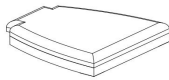
A BACK




1PC

HARDWARE LIST

B SEATER



1PC

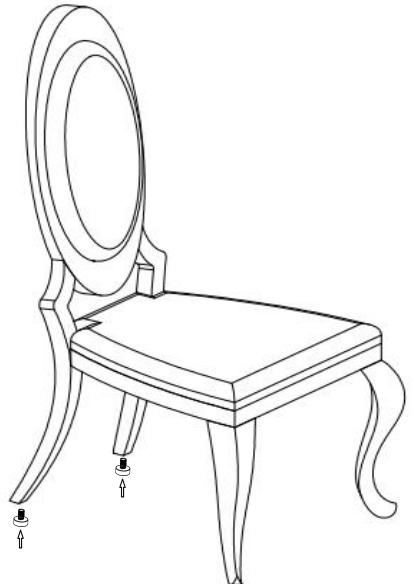
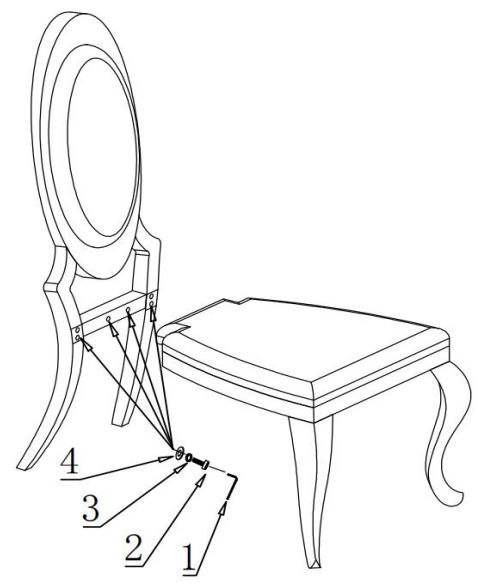
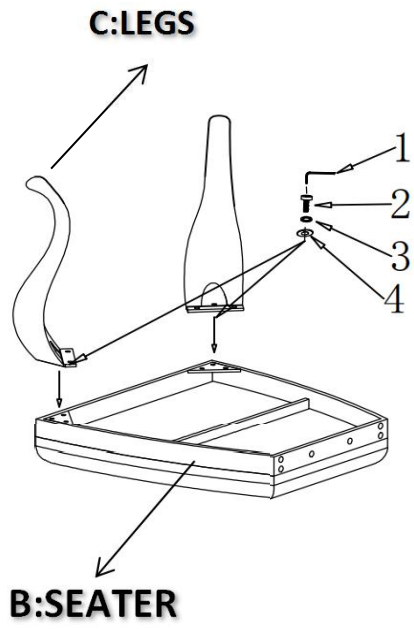
NO.	SIZE	DIAGRAM	QTY
1	Allen wrench		1
2	Bolts M8x25		12
3	spring shim		12
4	Flat washer		12

C LEGS



2PCS

ITEM NO. : DCK68SB&DCK68SW&DCK68SG&DCK68GB&DCK68GW Dining Chair



two back legs fixed adjust feet

