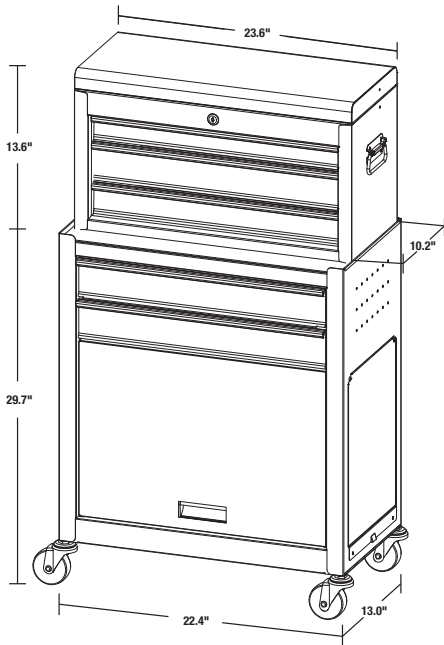




# OPERATOR'S MANUAL



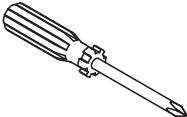


## 24-INCH 5 DRAWER TOOL CABINET COMBO

### TOP CHEST PACKED INSIDE THE BOTTOM CABINET



#### **⚠ WARNING:**

- To reduce the risk of injury, the user must read and understand the operator's manual before using this product.
- The tool cabinet only for indoor use.
- 2 persons are necessary for assembling.
- Assembled incorrect may cause damage to the cabinet or failure resulting in personal.
- All the connections have to be checked and the screws have to be tightened in regular periods.

PARTS INCLUDED		TOOLS REQUIRED
 Locking bar x1	 Swivel casters without brake x4	
 Top chest handle x2		
 M4x8 Screw x8		

#### **⚠ WARNING:**

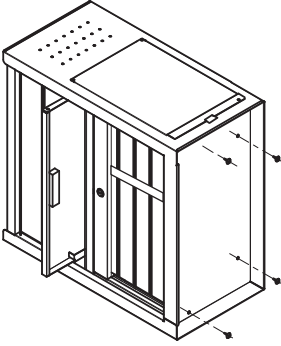
- Do not open more than one loaded drawer at a time.
- Do not put any tools on the door when opening. It may cause damage to the door or failure resulting in personal.

# ASSAMBLY

Ensure all components are present. If any components are missing, do not proceed with assembly. Contact Brands customer services at [customerservice@xddproducts.com](mailto:customerservice@xddproducts.com)

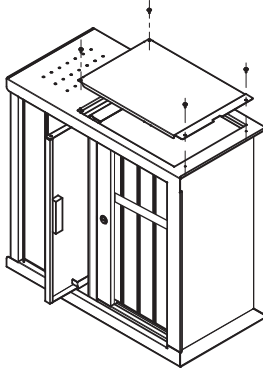
## ① REMOVE THE 4 SCREWS ON BOTTOM

Remove screws with a screwdriver.



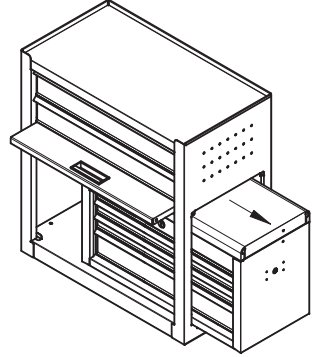
## ② REMOVE SIDE PANEL

Remove screws with a screwdriver.

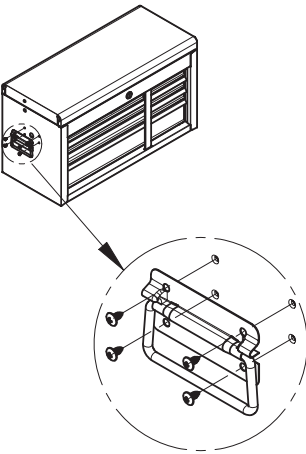


## ③ REMOVE CHEST

Place cabinet on a level surface. Slowly remove chest from the cabinet.

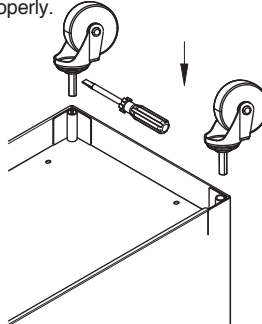


## ④ HANDLE ASSEMBLY

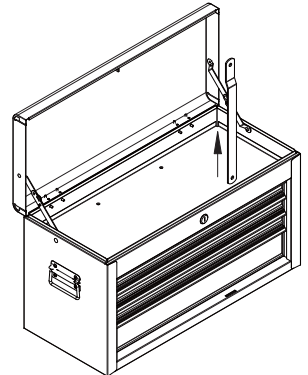


## ⑤ CASTER ASSEMBLY

If caster assembly fits loose, using a screwdriver, slightly spread apart split bearing on shaft. If caster fits tight, crimp split bearing slightly with pliers. Make only slight adjustments, until caster fits properly.



## ⑥ UNLOCK OR LOCK THE DRAWERS OF THE TOOL CHEST



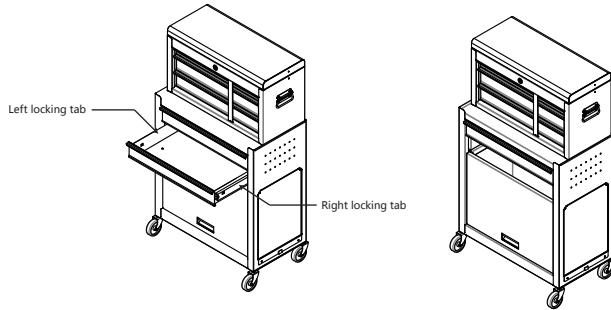
**NOTE: Take out the second drawer before loading and unloading the bottom cabinet plate**

**STEP 1**

\*Left side: Push the locking tab up and hold.

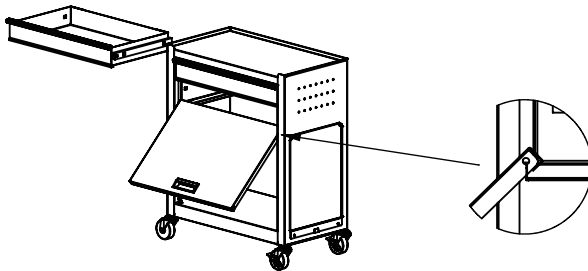
\*Right side: Push the locking tab down and hold.

\*Pull out the drawer to remove.



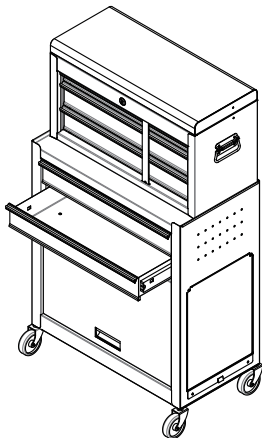
**STEP 2**

\*Loading/unloading the bottom cabinet plate.



**STEP 3**

To re-install, push the drawer into the slide until the drawer stop.



Distributed by: XDD products (USA), LLC  
Manufactured by: TGH(Cambodia) Industrial CO.LTD  
Made in Cambodia