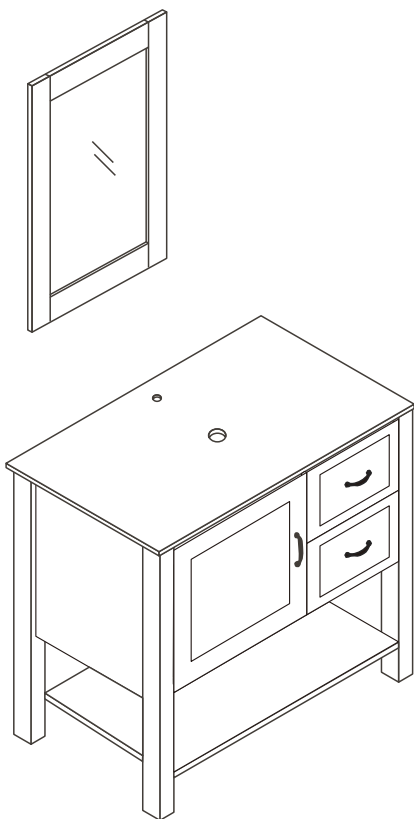


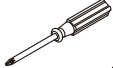



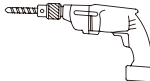
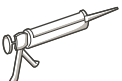
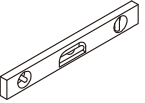
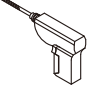
# Installation Manual

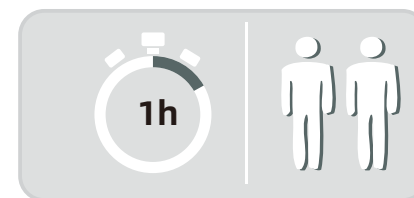
**RV34G/NV34W**



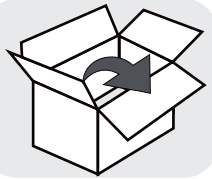
**Please keep the boxes if you need return;  
Check before installation;  
Return won't be accepted afterwards;**


## Pre-installation preparation


 <b>Cross Screwdriver</b>	 <b>Hammer</b>	 <b>Tape Measure</b>
 <b>Pencil</b>	 <b>Electric Drill</b>	 <b>Glass Cement</b>
 <b>Leveling Rod</b>	 <b>Electric Drill</b>	

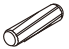



## Spare Parts List




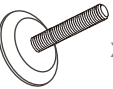
**H1**  x36  
(φ4× 14mm)


**H2**  x47  
(φ6× 40mm)

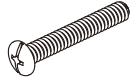
**H3**  x8  
(φ8× 40mm)

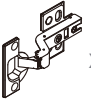
**H4**  x47


**H5**  x47

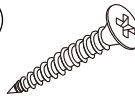
**H6**  x4

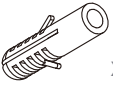
**H7**  x3  
(Hole distance:96mm)



**H8**  x2  
(φ4× 20mm)

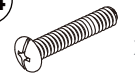
**H9**  x2  
(Big bend)

**H10**  x2  
(φ4× 35mm)

**H11**  x2  
(φ4× 50mm)

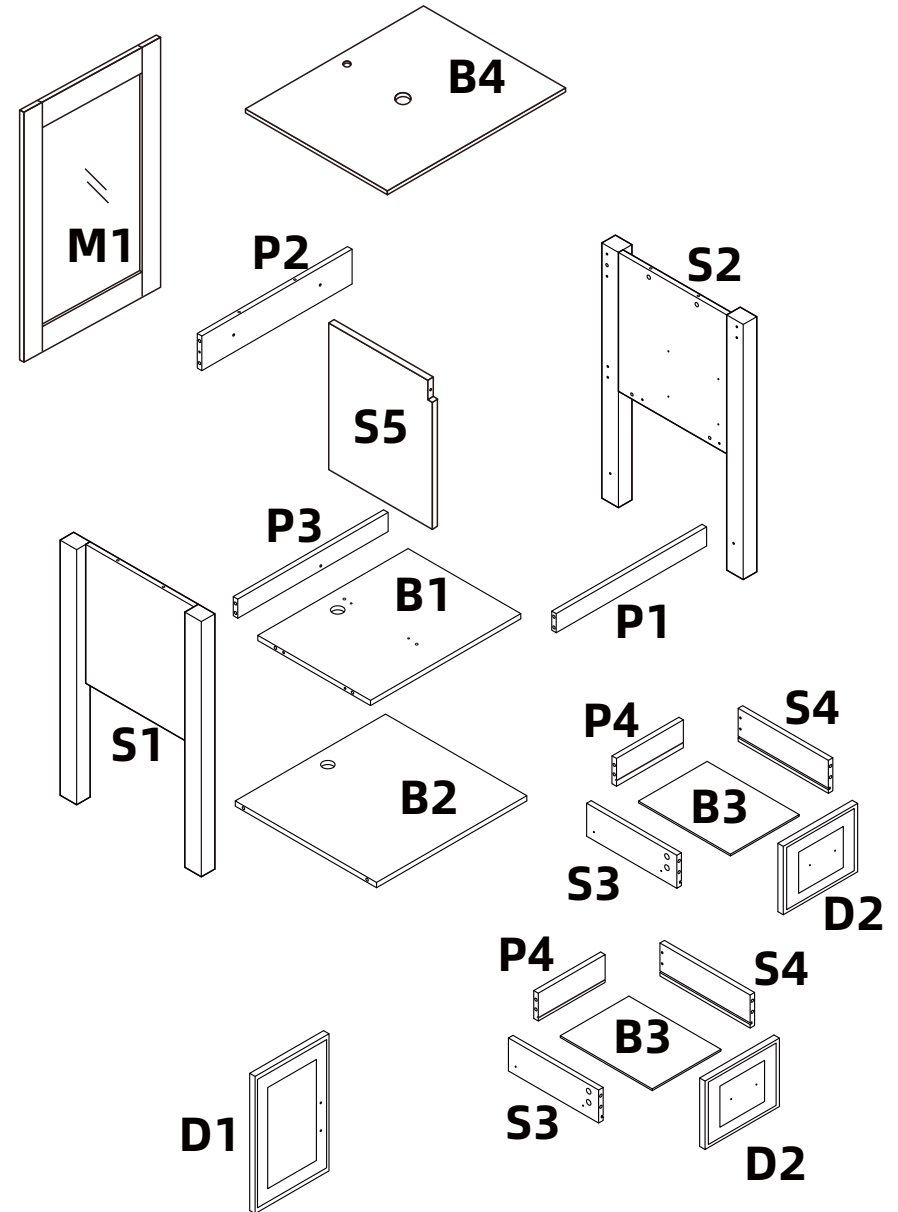
**H12**  x2  
(φ8× 40mm)

**H13-S**  S  
**H13-M**  M x4  
(12 Inches)

**H14**  x4  
(φ4× 6mm)

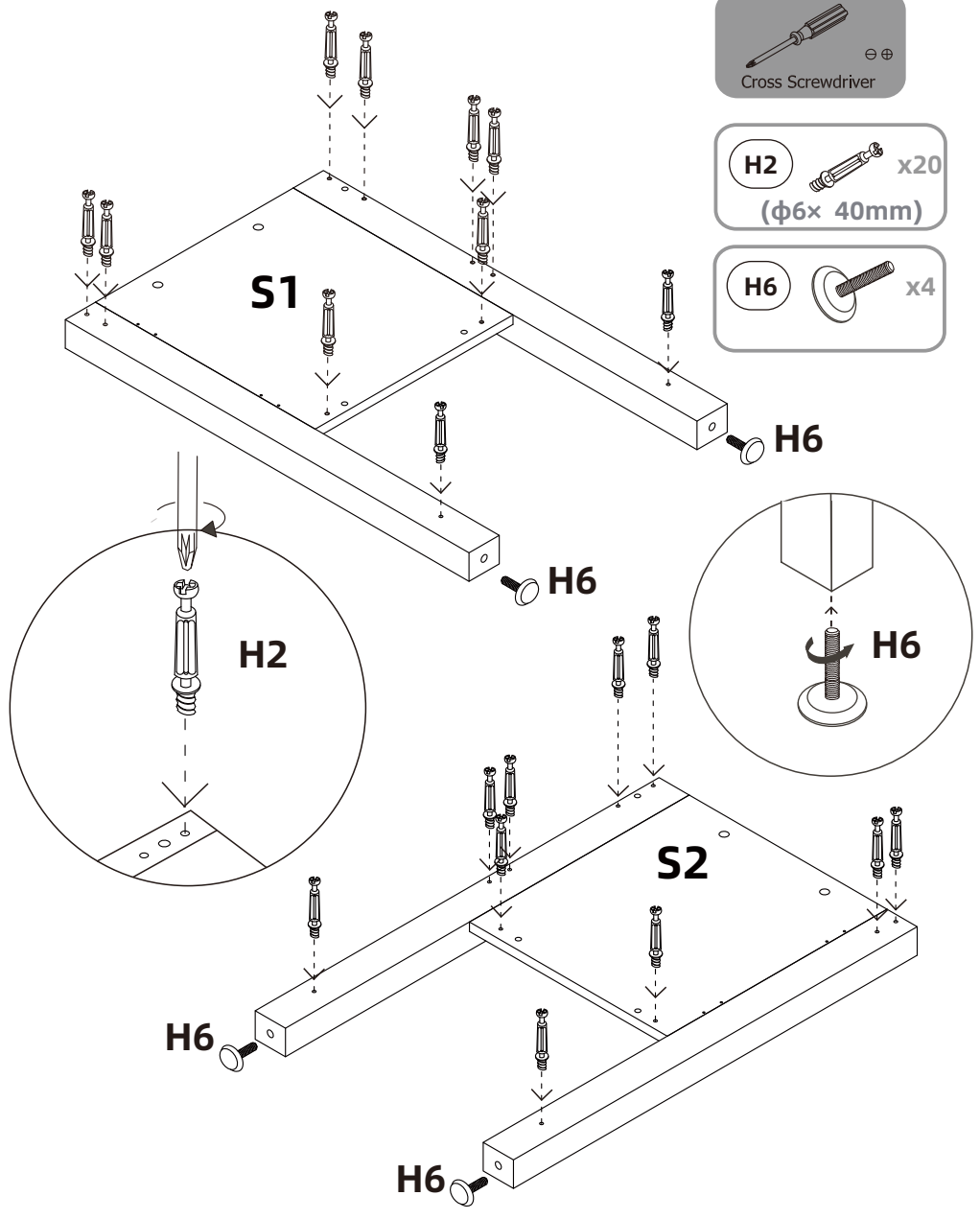
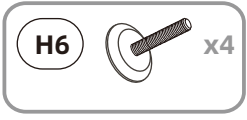
**H15**  x2  
(φ6× 30mm)

## Structural Diagram



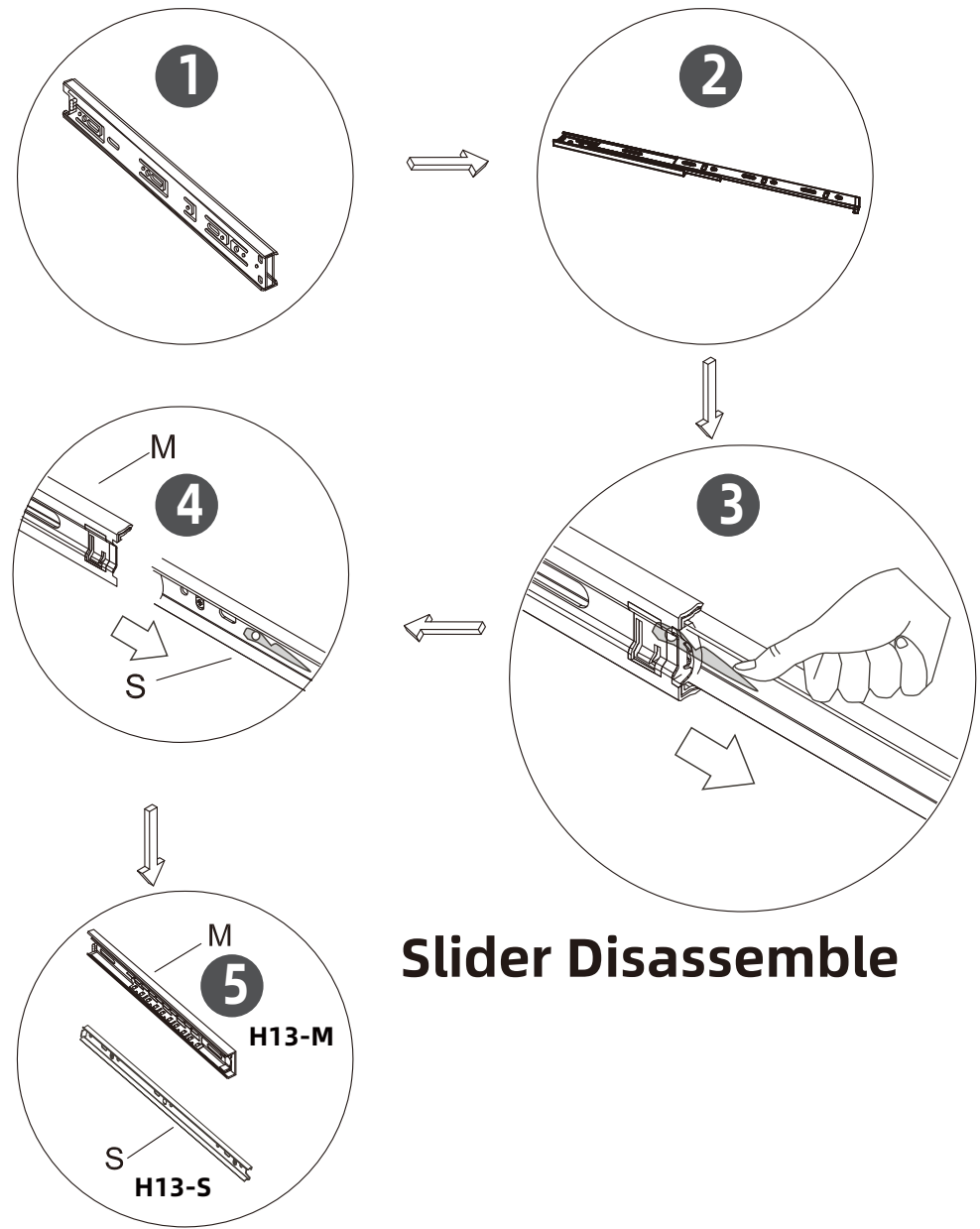
1

# Side Board Installation



2

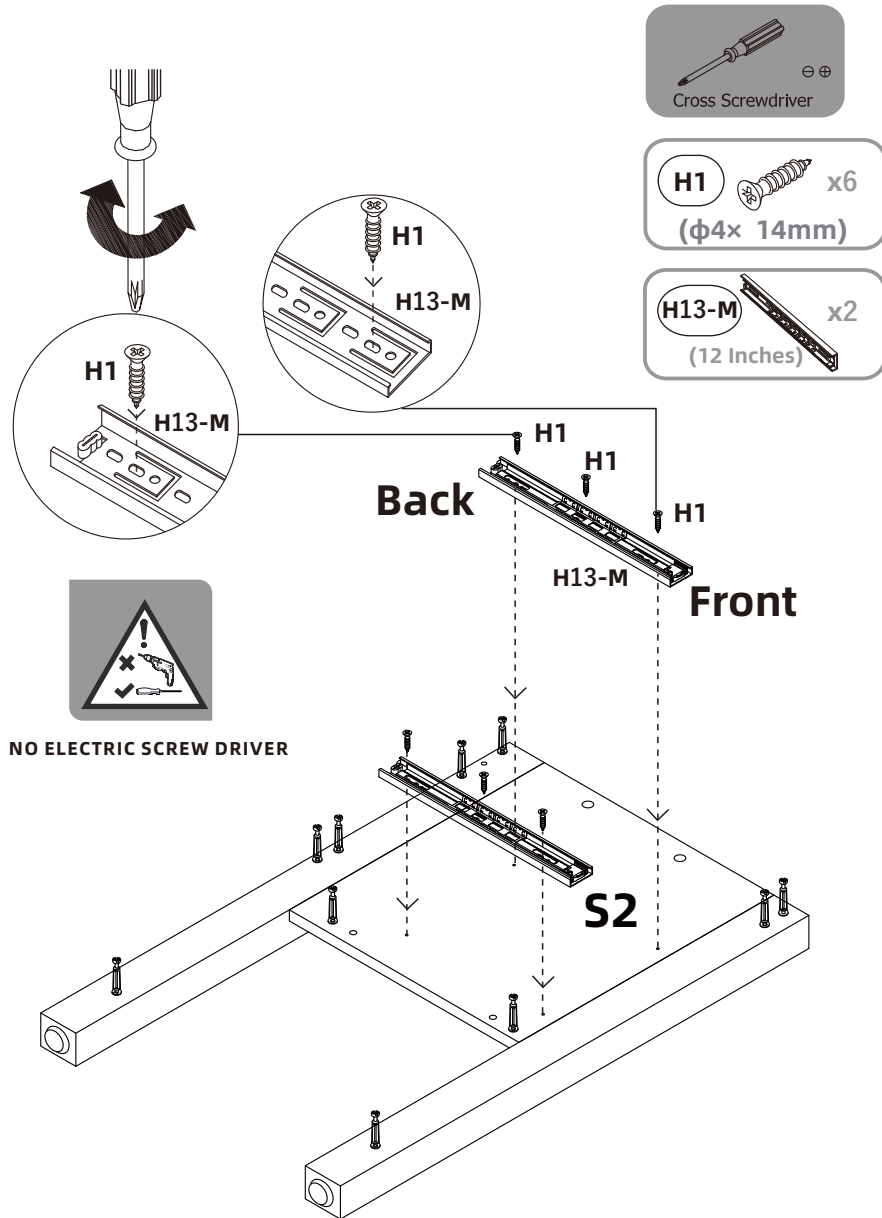
# Slider Installation



Slider Disassemble

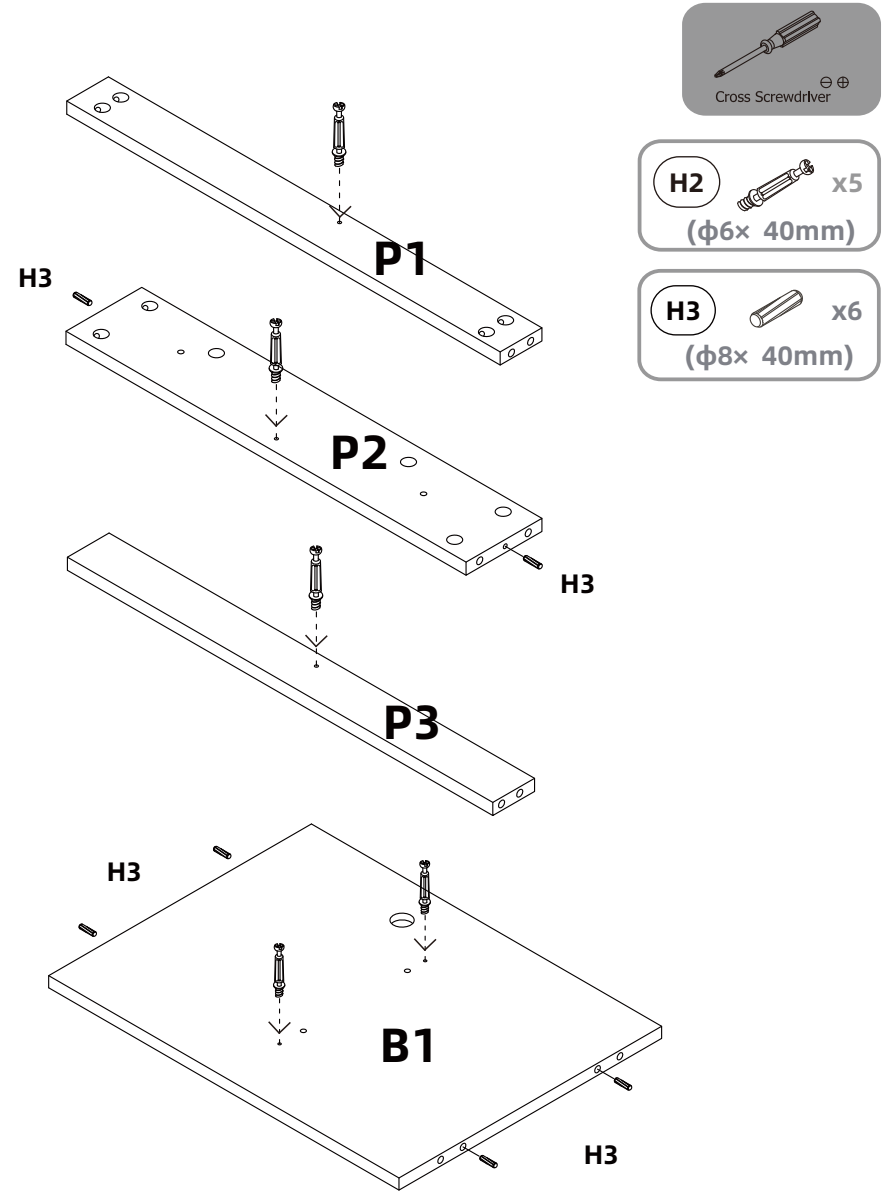
# 3

## Slider Installation

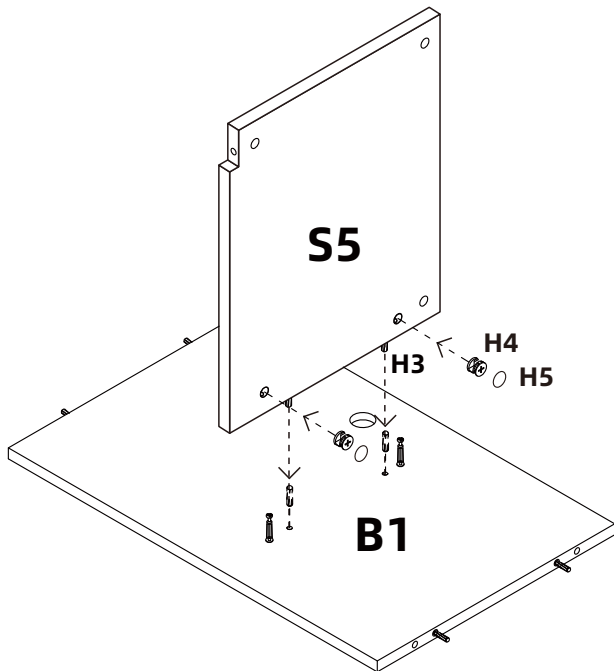
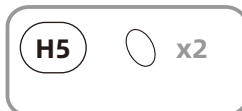


# 4

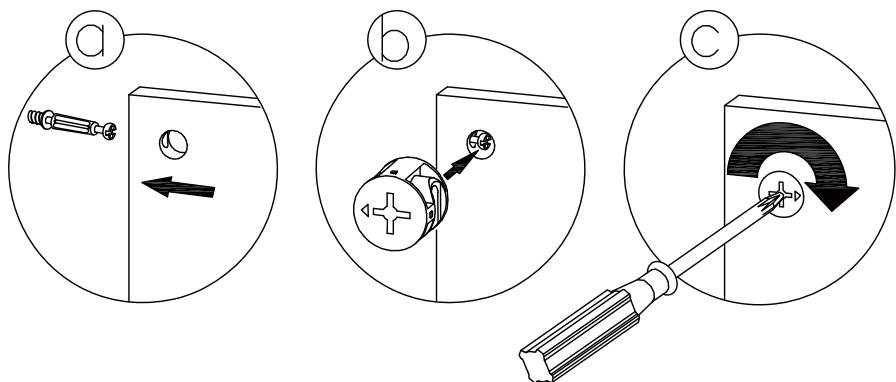
## Neutral Board Installation



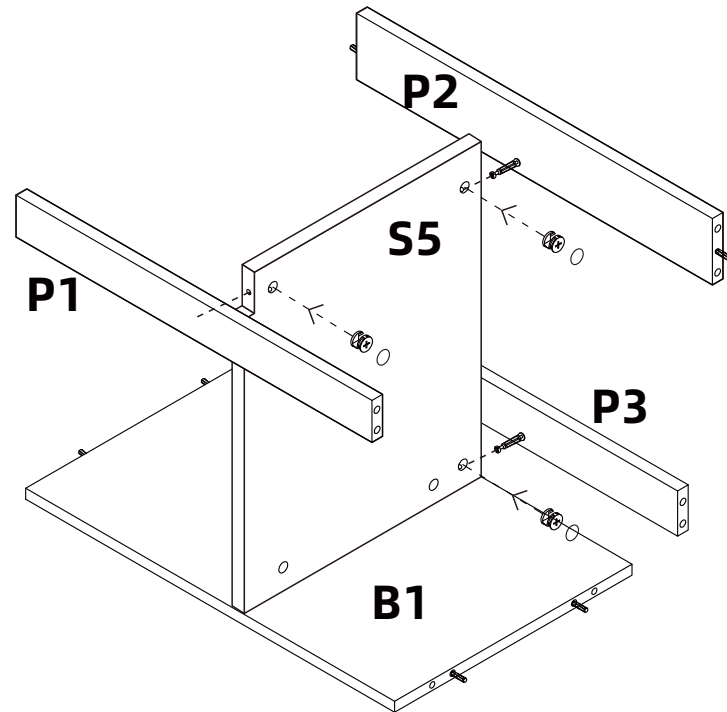
# 5 Neutral Board Installation



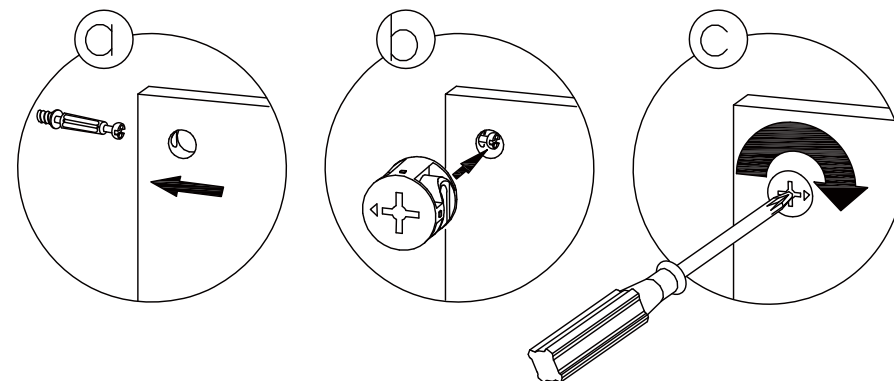
NO ELECTRIC SCREW DRIVER



# 6 Neutral Board Installation

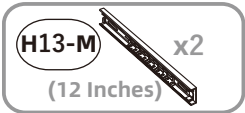
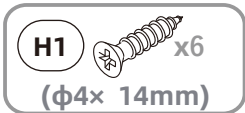
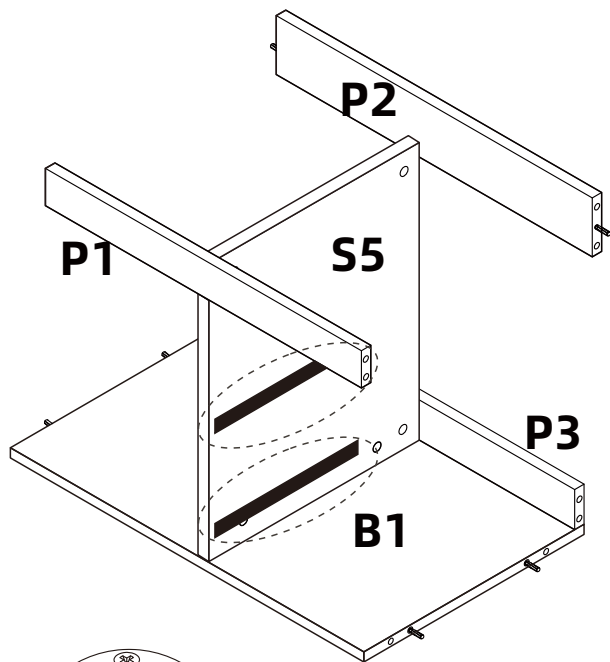


NO ELECTRIC SCREW DRIVER

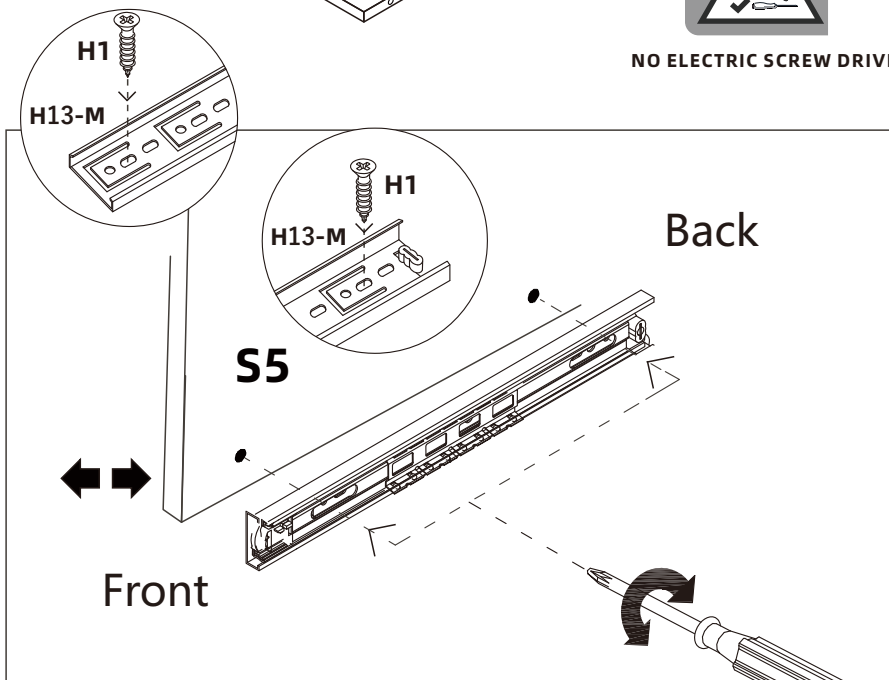


7

# Slider Installation



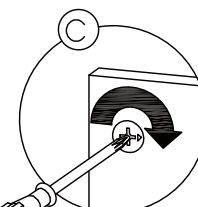
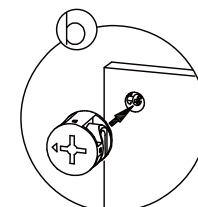
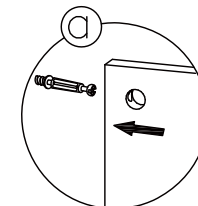
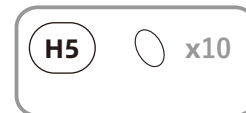
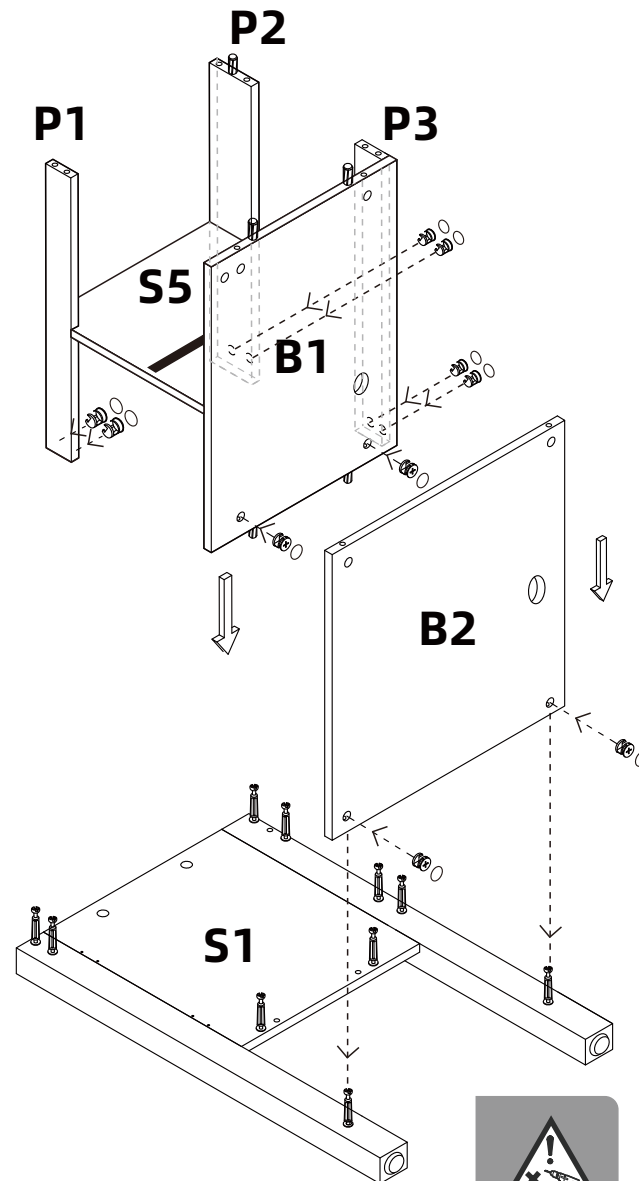
NO ELECTRIC SCREW DRIVER



8



# Structure Installation

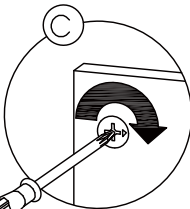
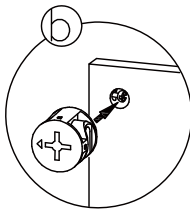
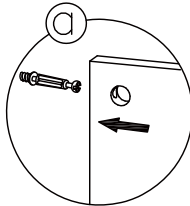
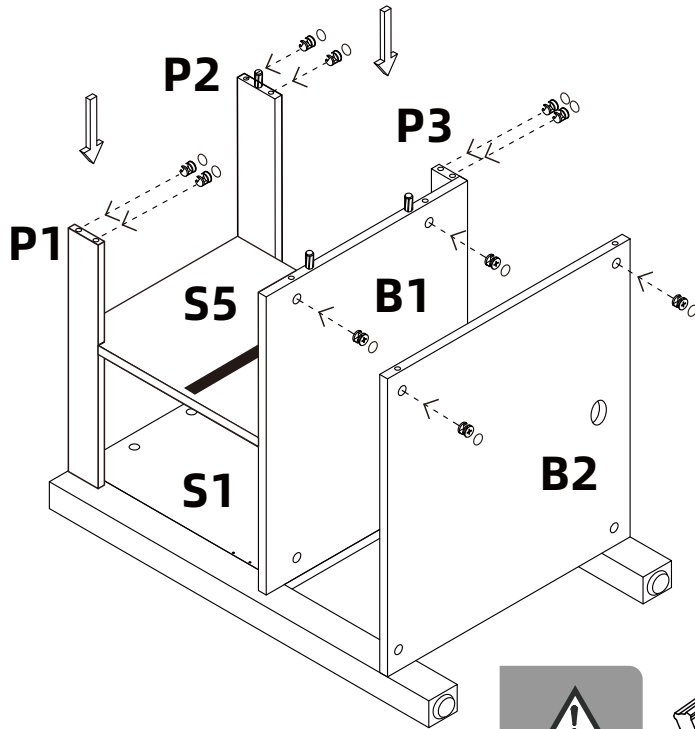
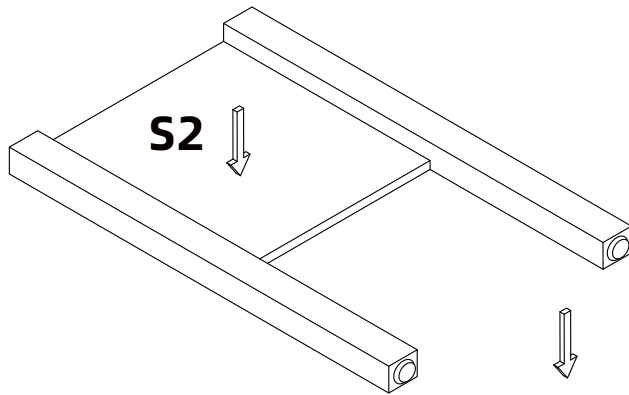


NO ELECTRIC SCREW DRIVER

9



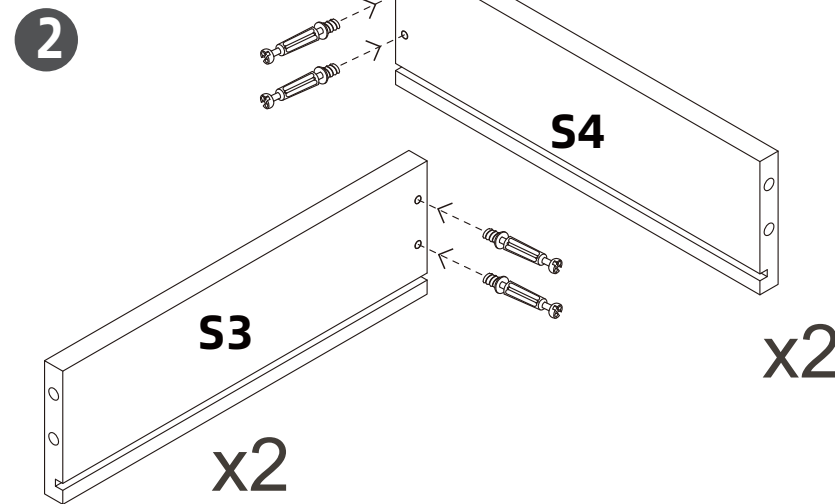
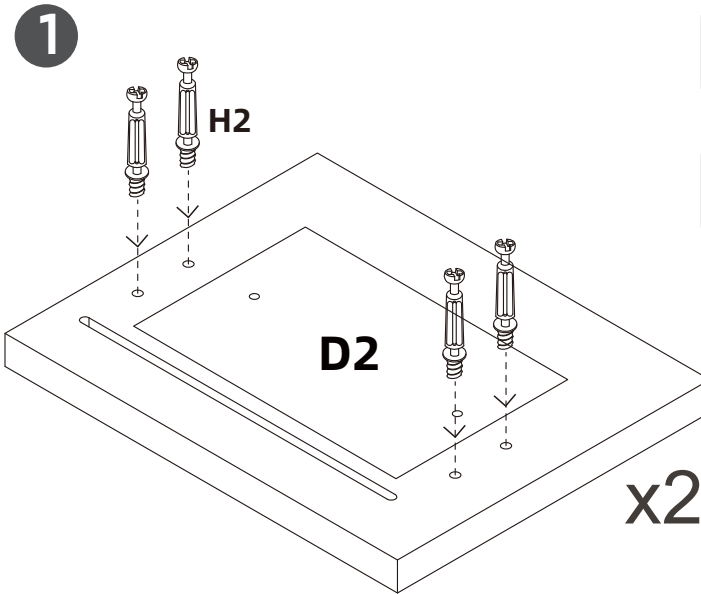
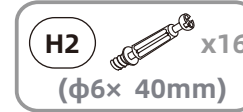
# Structure Installation



NO ELECTRIC SCREW DRIVER

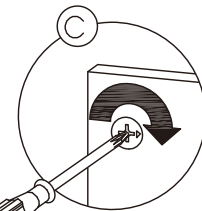
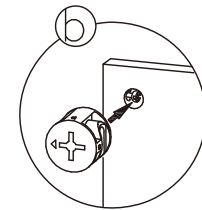
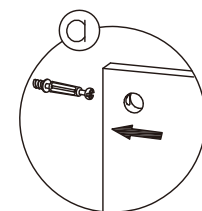
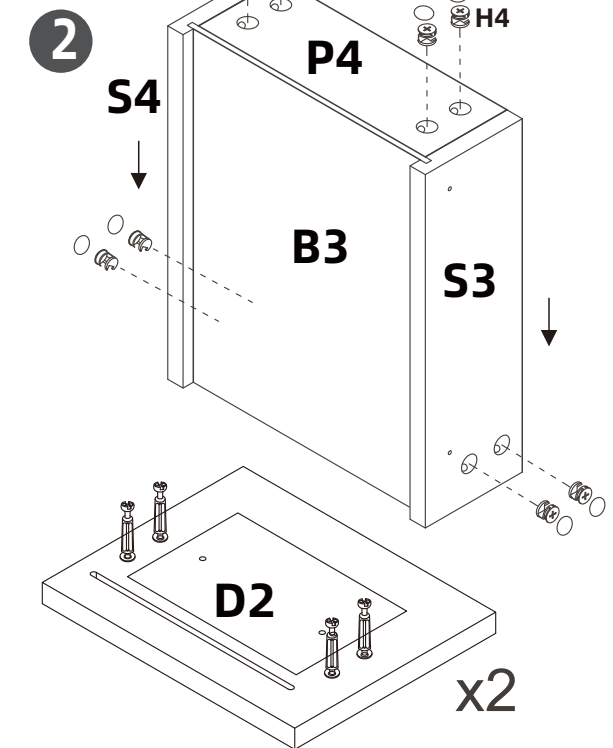
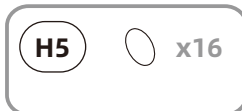
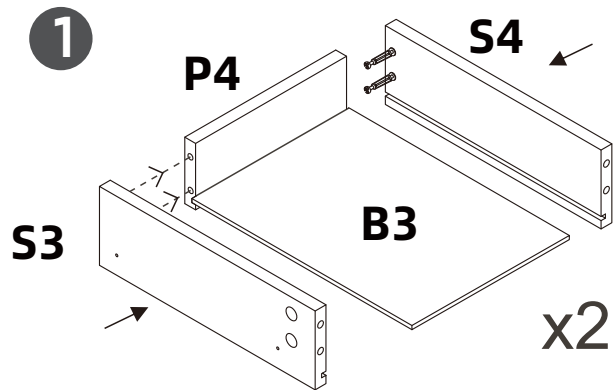
10

# Drawer Installation



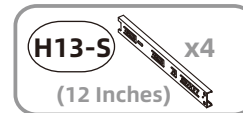
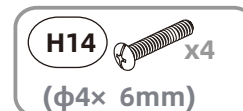
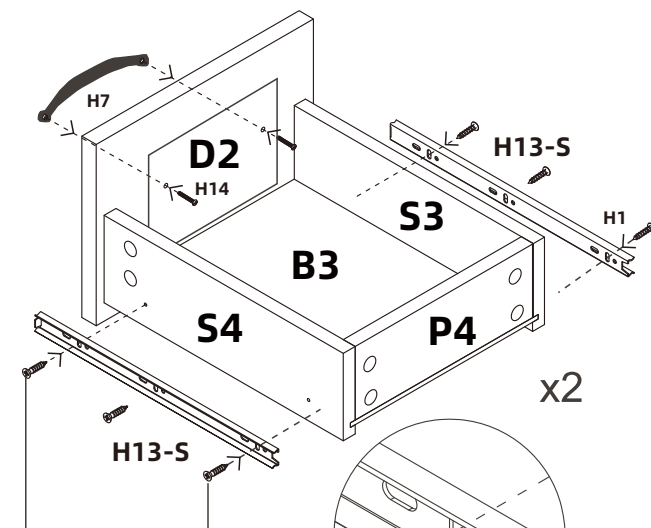
# 11

## Drawer Installation

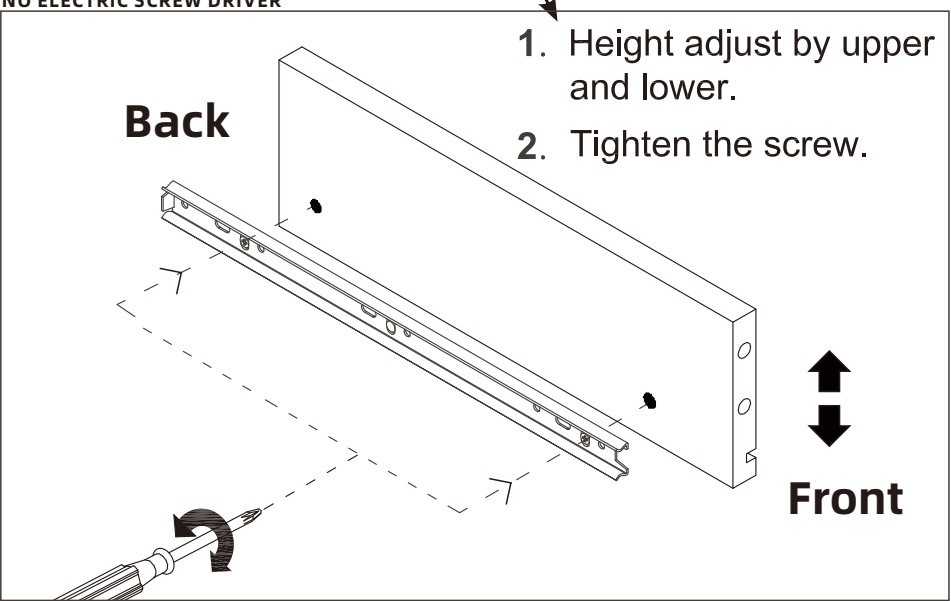


# 12

## Slider Installation



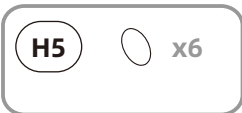
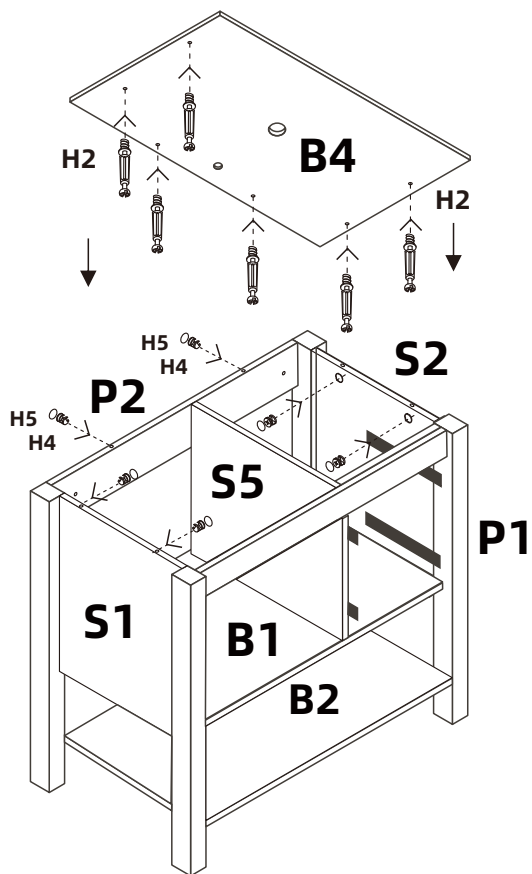
NO ELECTRIC SCREW DRIVER



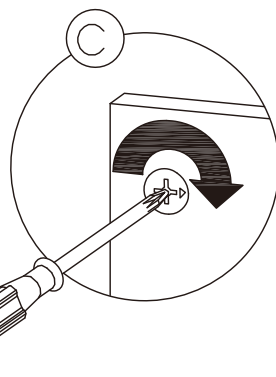
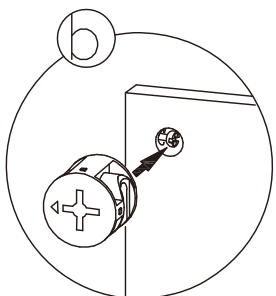
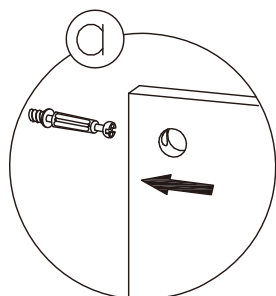


# 13

## Top Installation

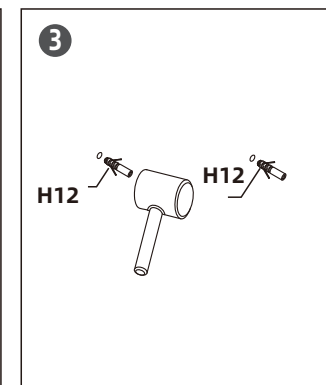
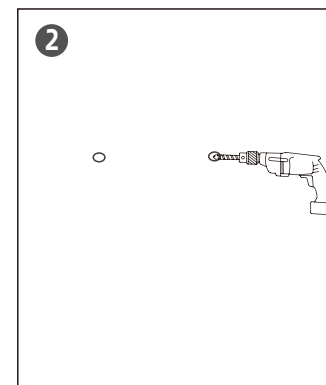
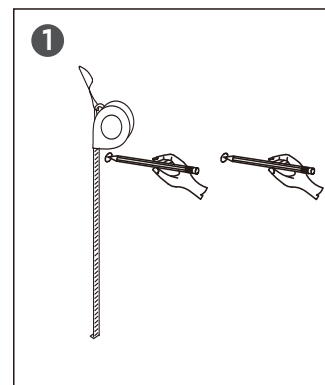
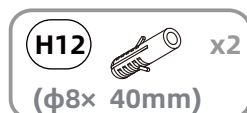
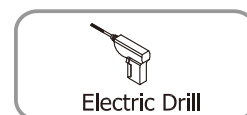
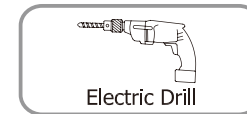
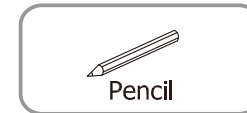
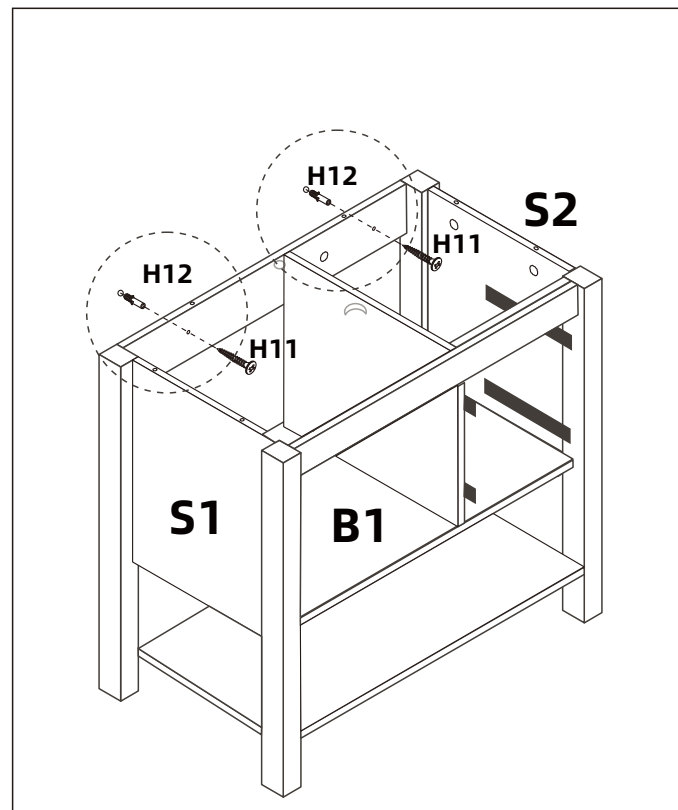


NO ELECTRIC SCREW DRIVER



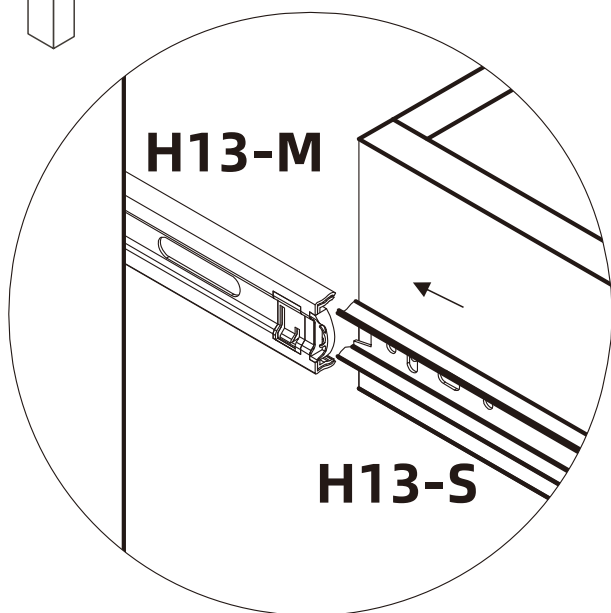
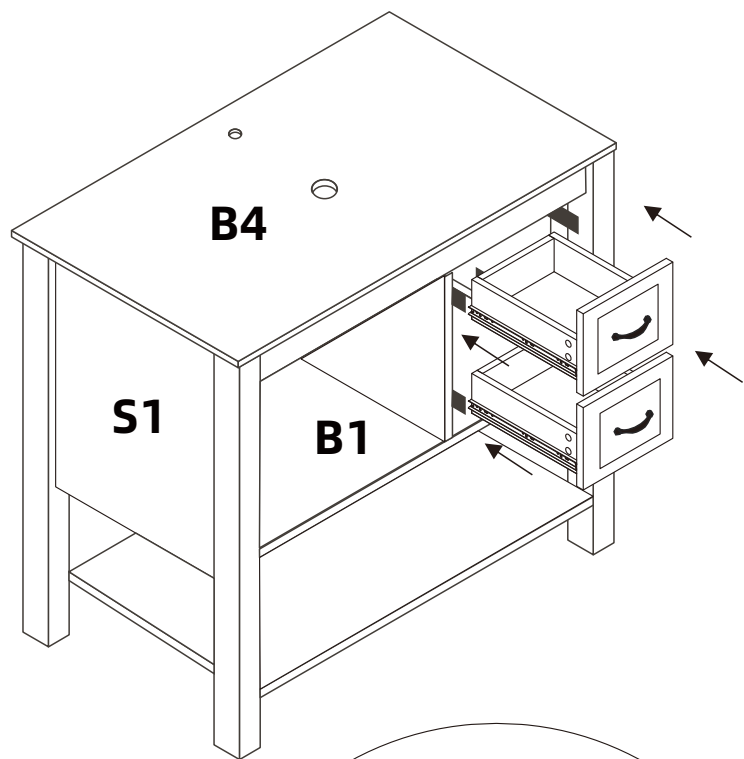
# 14

## Cabinet Installation



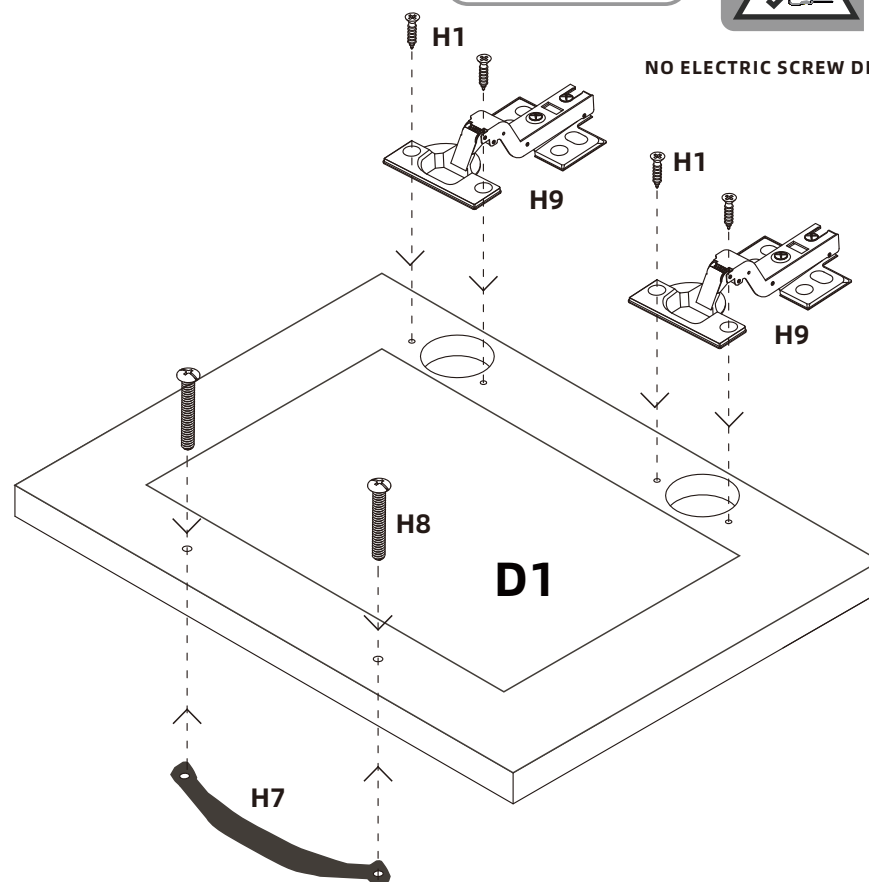
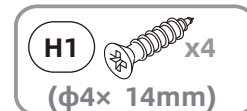
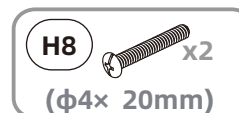
15

### Drawer Installation



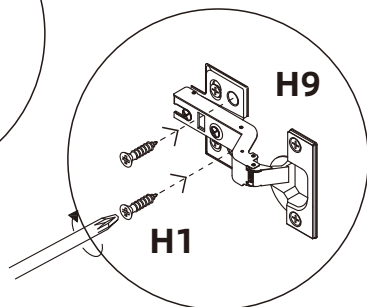
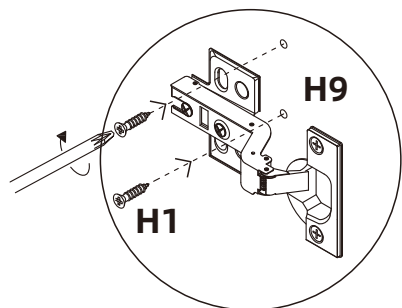
16

### Hinge Installation

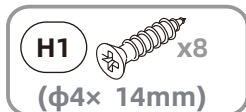


# 17

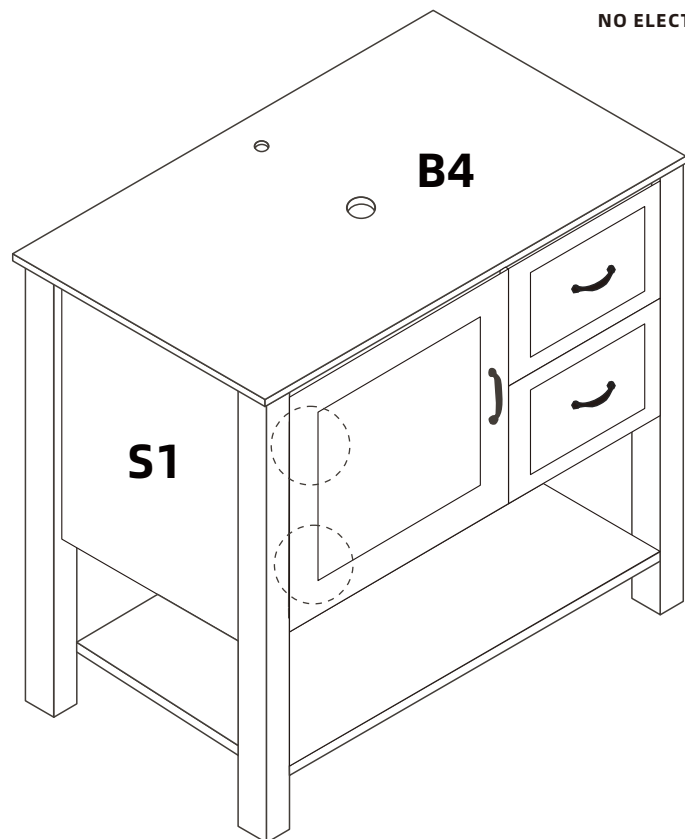
## Hinge Installation



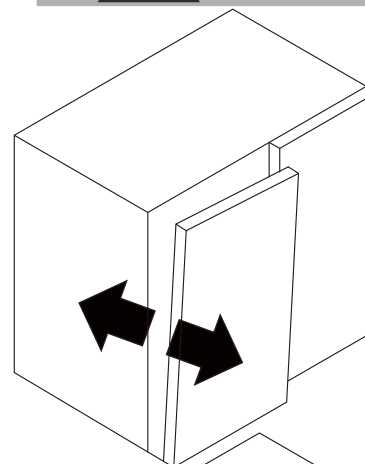
Cross Screwdriver



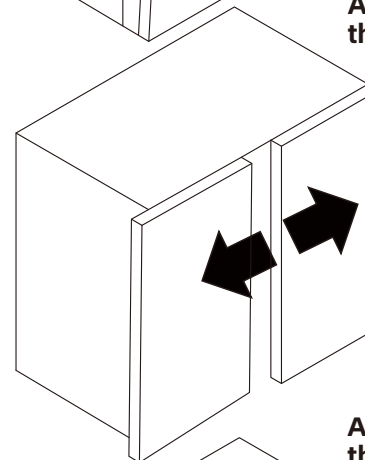
NO ELECTRIC SCREW DRIVER



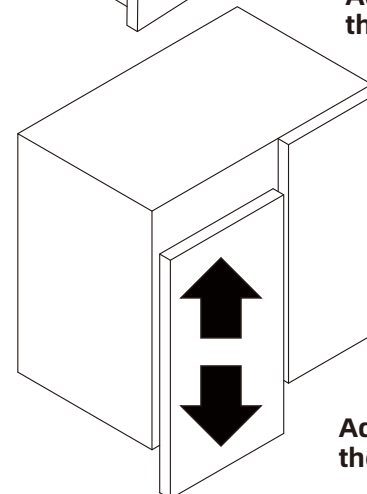
## Door Adjustment



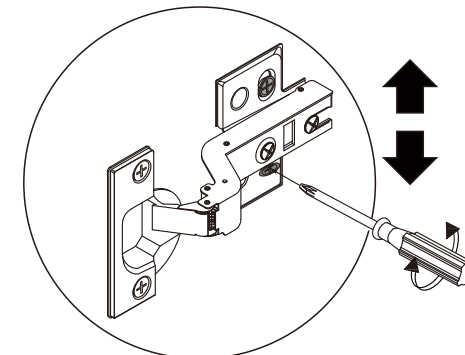
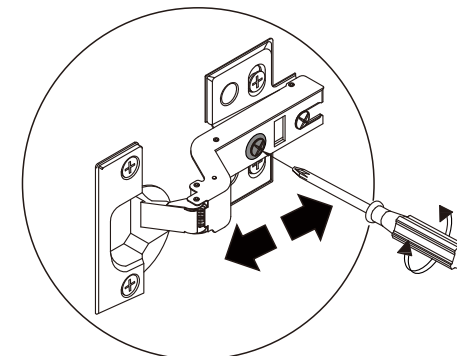
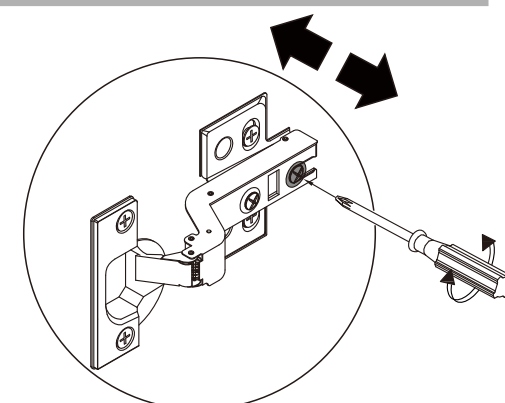
Adjust the screw to make the door lean to forward or back



Adjust the screw to make the door lean to left or right

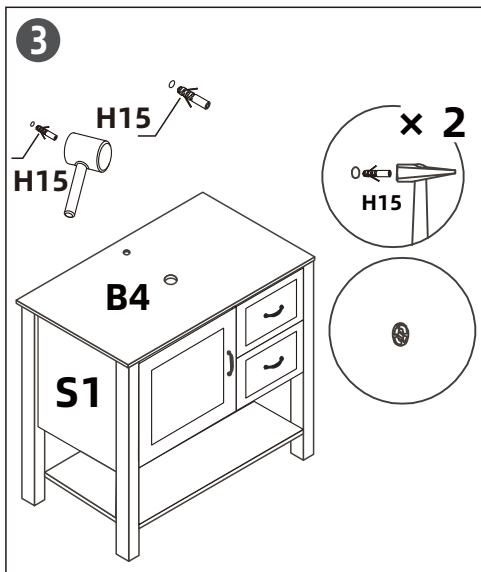
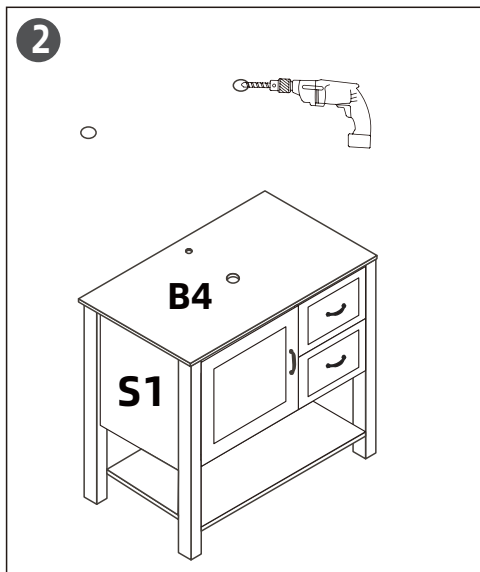
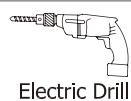
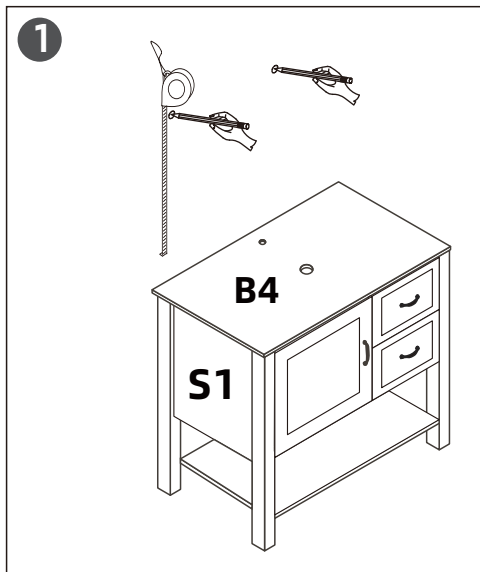


Adjust the screw to make the door lean to up or down

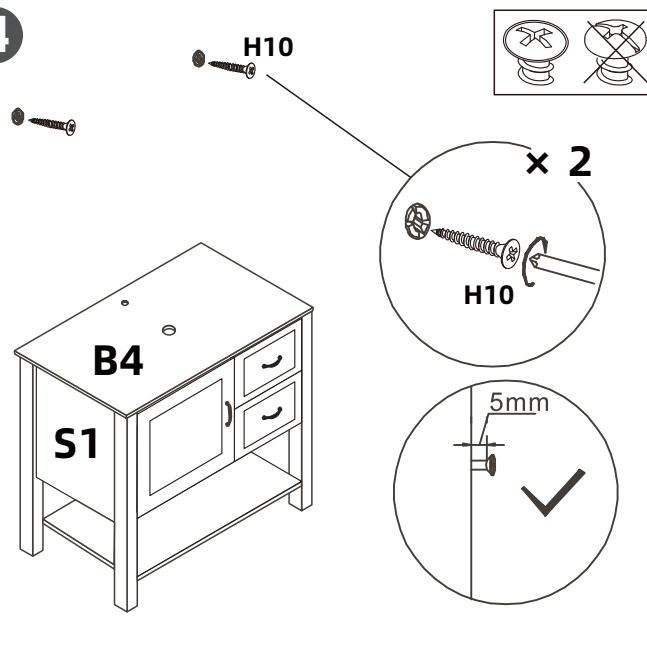


# 18

## Mirror Installation



**4**



**5**

