

Installation Manual

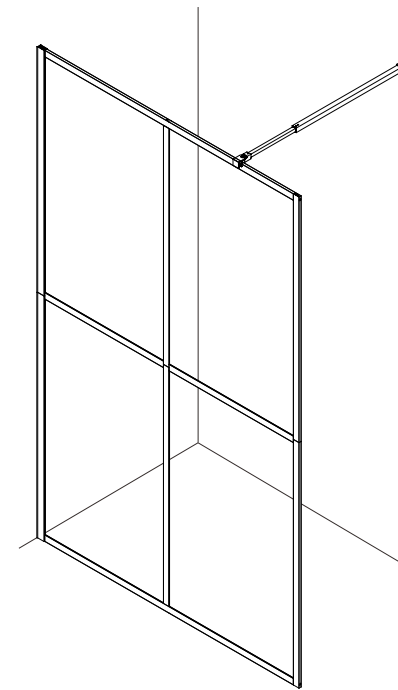
SG07/SG08/SG27/SG28

Aftersale service:

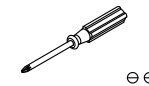
Please check out each piece carefully in case there is any damage and contact us if you need to replace any parts.

Please keep the original packaging materials in case you need to return this item, return request might be refused or restocking fees might be charged if the original packaging materials are missing.

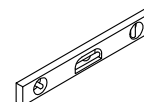
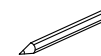
Thank you very much and hope you love our product. If you find any trouble during installation and using, please contact us directly for help.

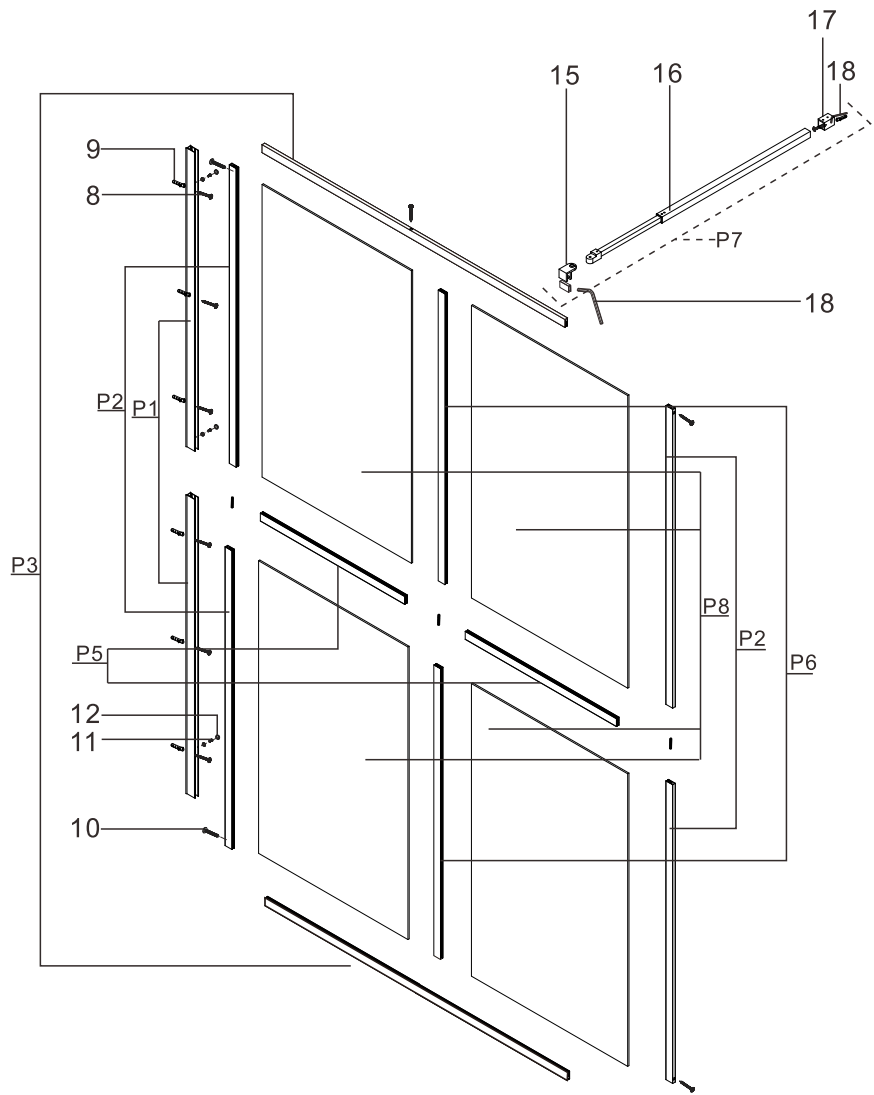


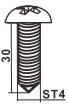

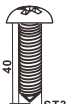




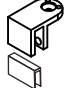


Pre-installation preparation

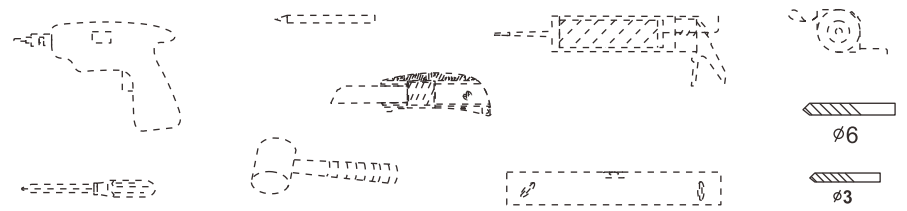


⊖ ⊕

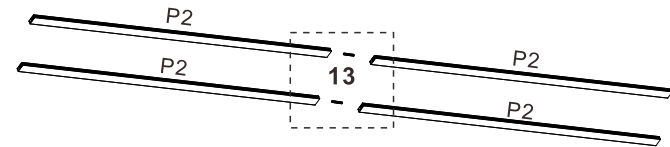
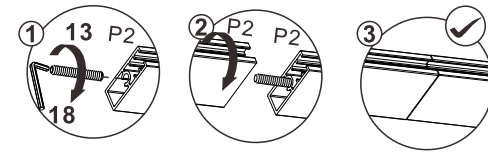




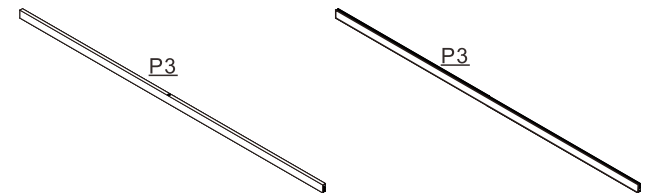
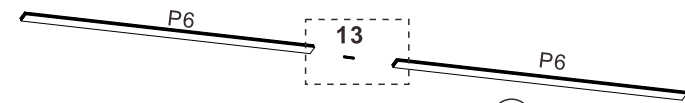
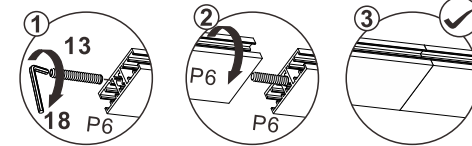
8  ST4 x6	9  x6	10  ST3.5 x6	11  ST4 x3	12  x3	13  x3	14  x2
15  x1	17  x1	18  x1				



1

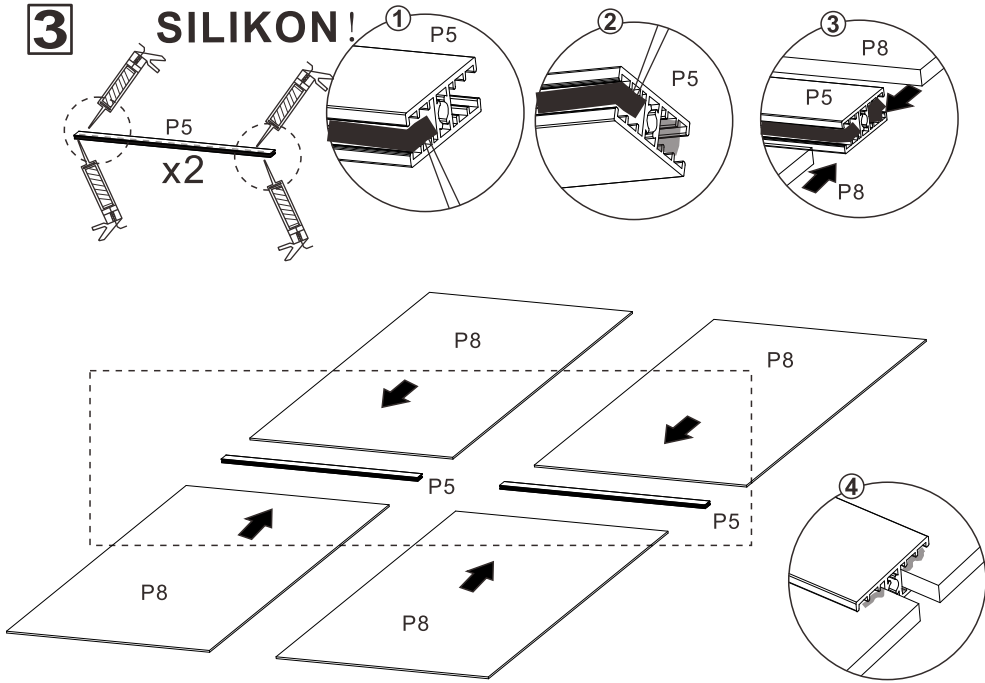


2



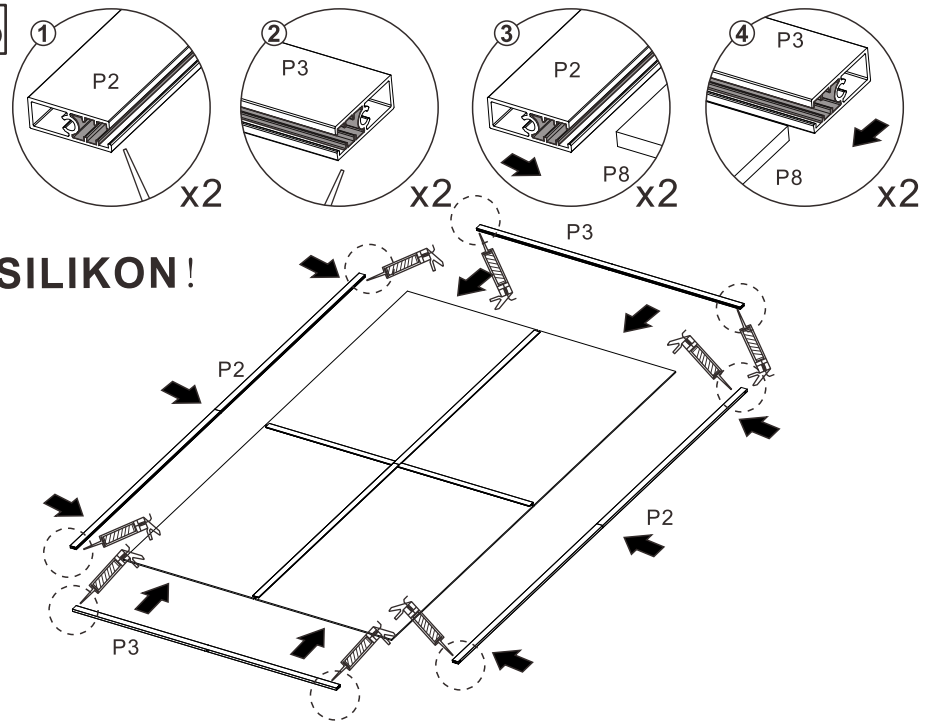
3

SILIKON!



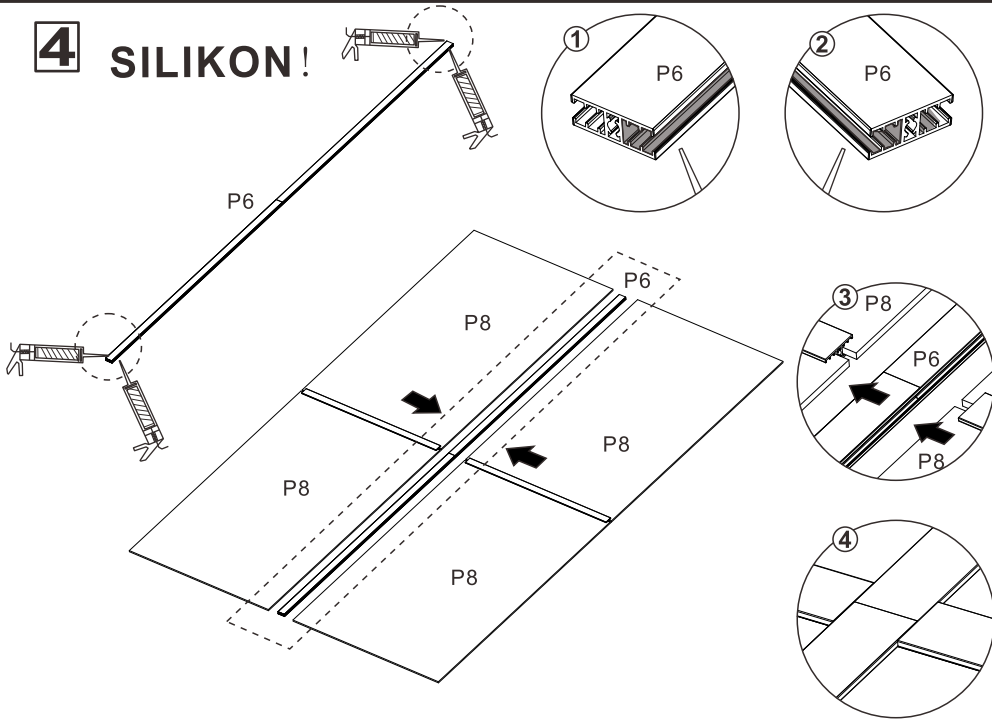
5

SILIKON!

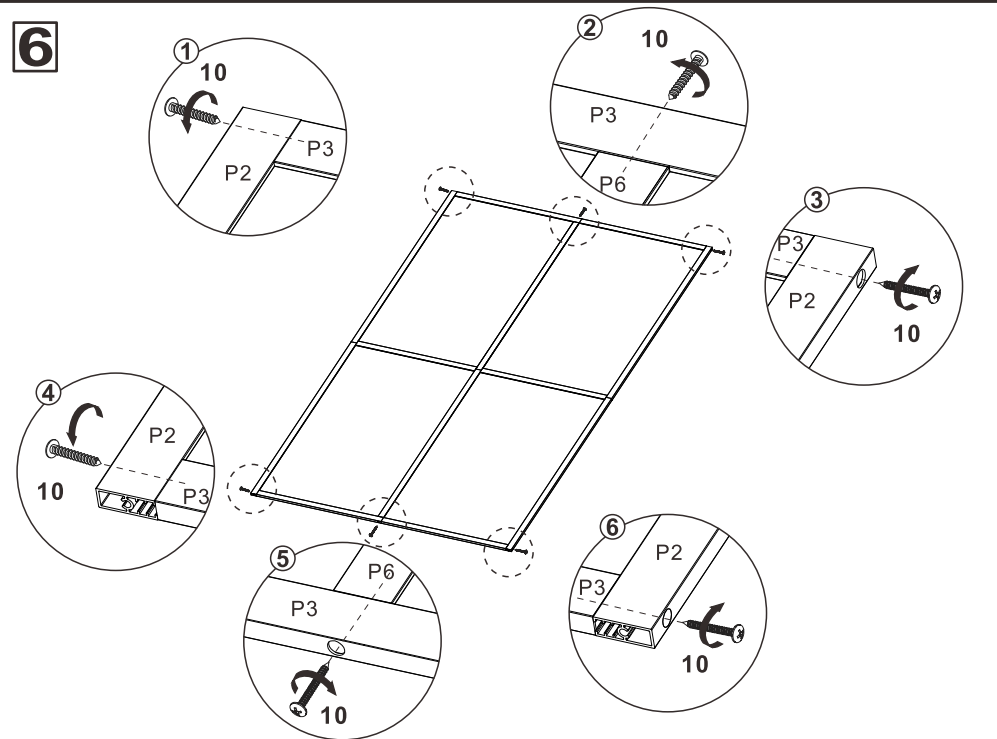


4

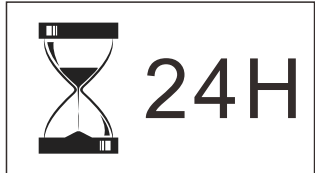
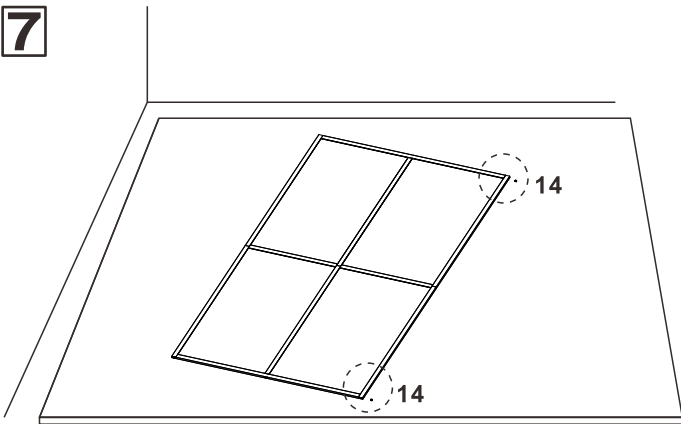
SILIKON!



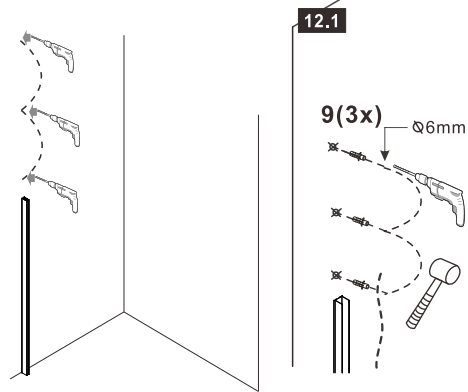
6



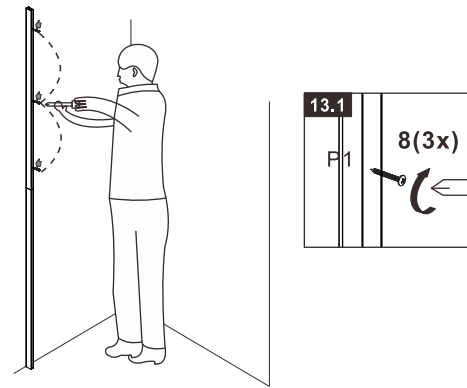
7



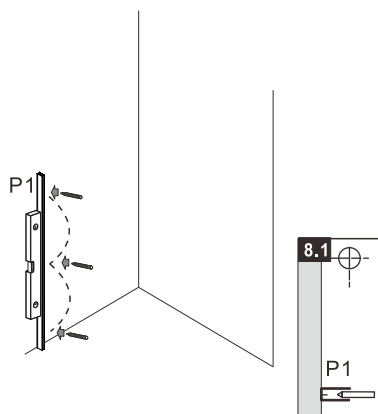
12



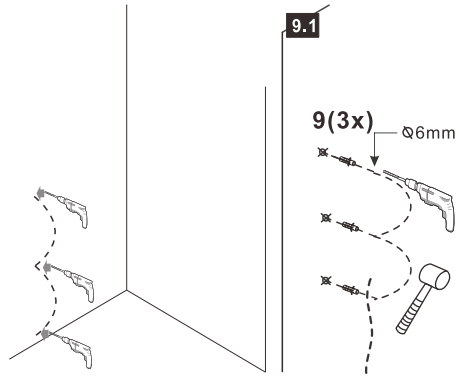
13



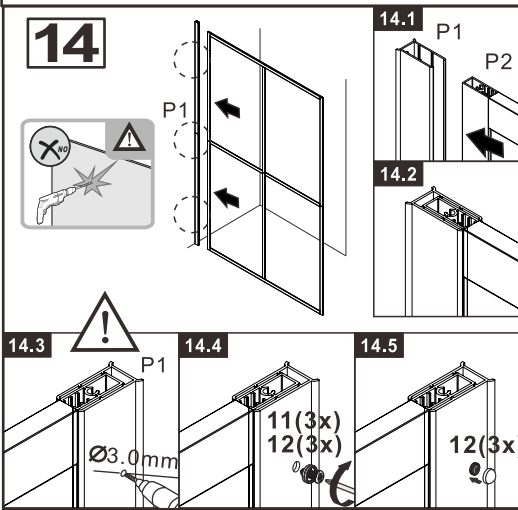
8



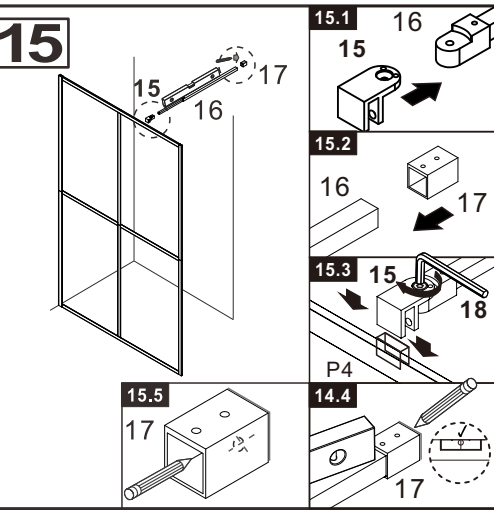
9



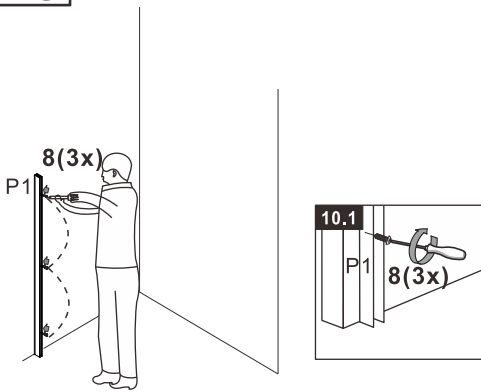
14



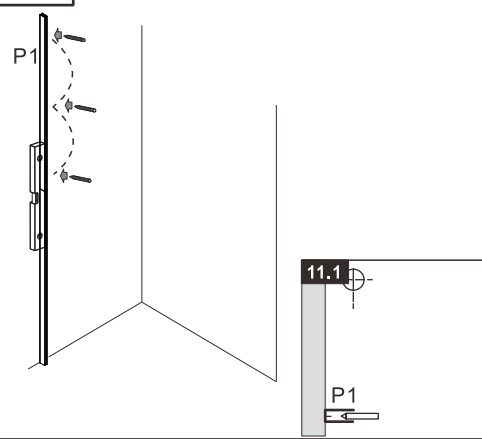
15



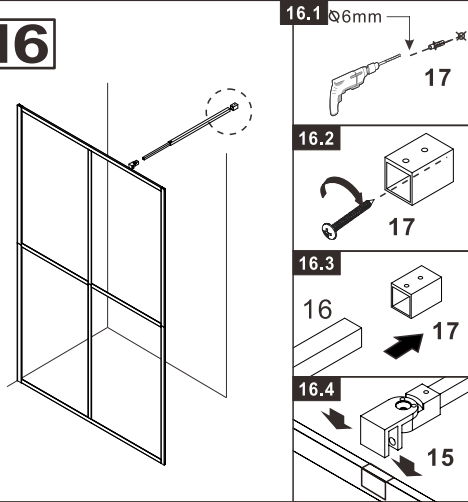
10



11



16



17

