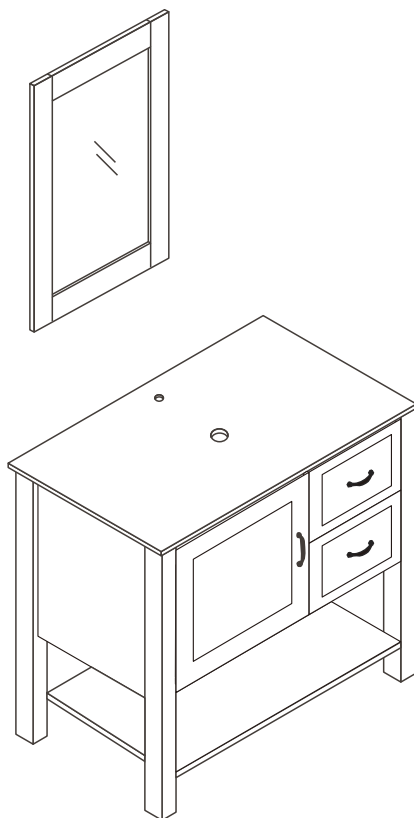


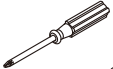



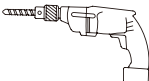
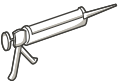
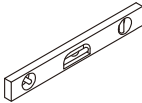

Installation Manual

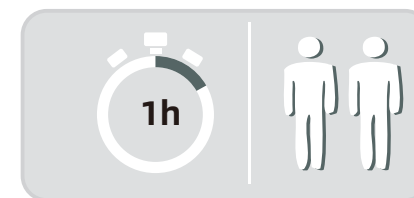
RV34G/NV34W



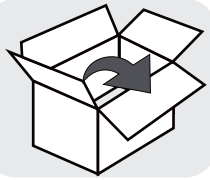
**Please keep the boxes if you need return;
Check before installation;
Return won't be accepted afterwards;**

Pre-installation preparation

 Cross Screwdriver	 Hammer	 Tape Measure
 Pencil	 Electric Drill	 Glass Cement
 Leveling Rod	 Electric Drill	



Spare Parts List



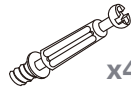
H1



x36

($\phi 4 \times 14\text{mm}$)

H2



x47

($\phi 6 \times 40\text{mm}$)

H3



x8

($\phi 8 \times 40\text{mm}$)

H4



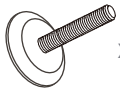
x47

H5



x47

H6



x4

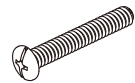
H7



x3

(Hole distance: 96mm)

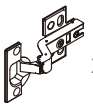
H8



x2

($\phi 4 \times 20\text{mm}$)

H9



x2

(Big bend)

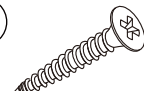
H10



x2

($\phi 4 \times 35\text{mm}$)

H11



x2

($\phi 4 \times 50\text{mm}$)

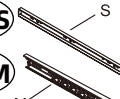
H12



x2

($\phi 8 \times 40\text{mm}$)

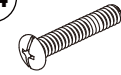
H13-S



x4

H13-M
(12 Inches)

H14



x4

($\phi 4 \times 6\text{mm}$)

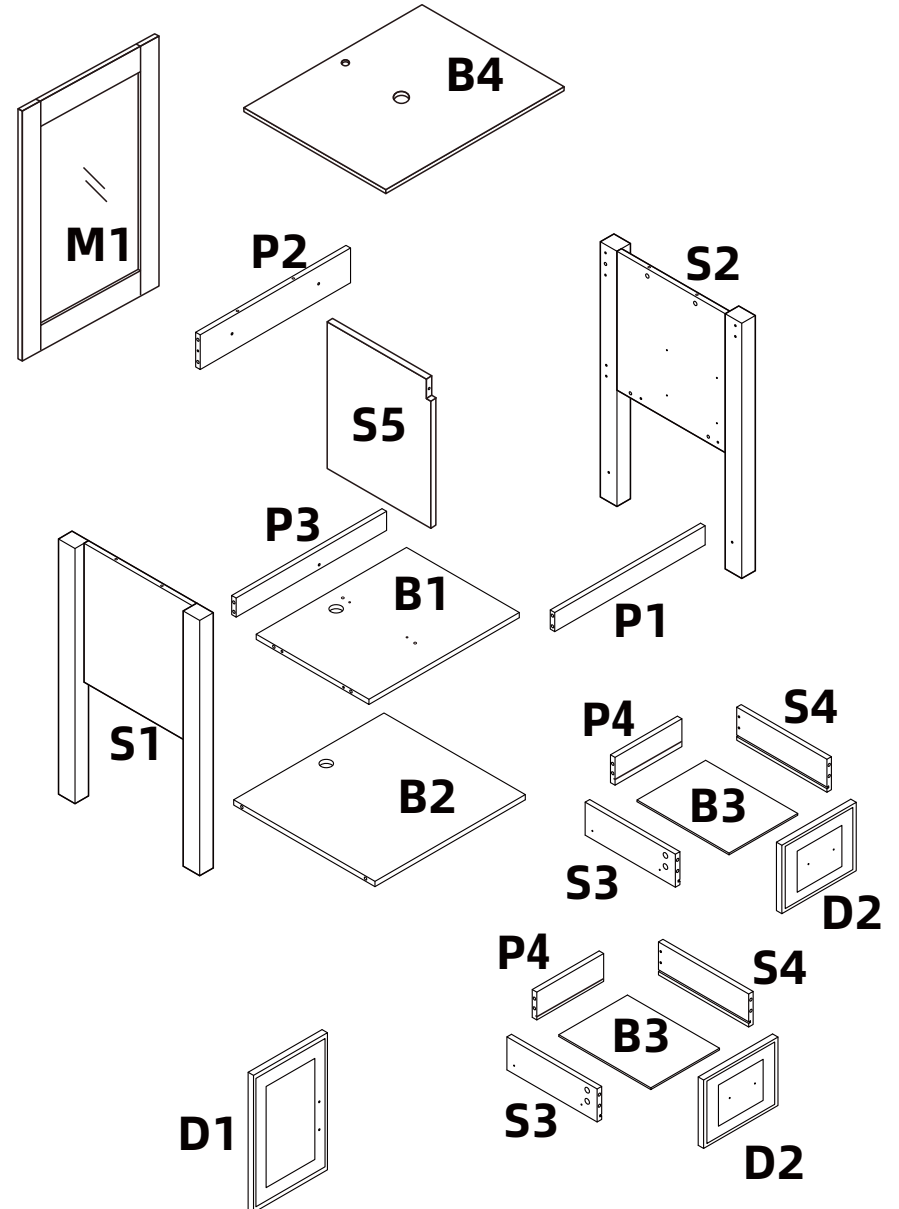
H15



x2

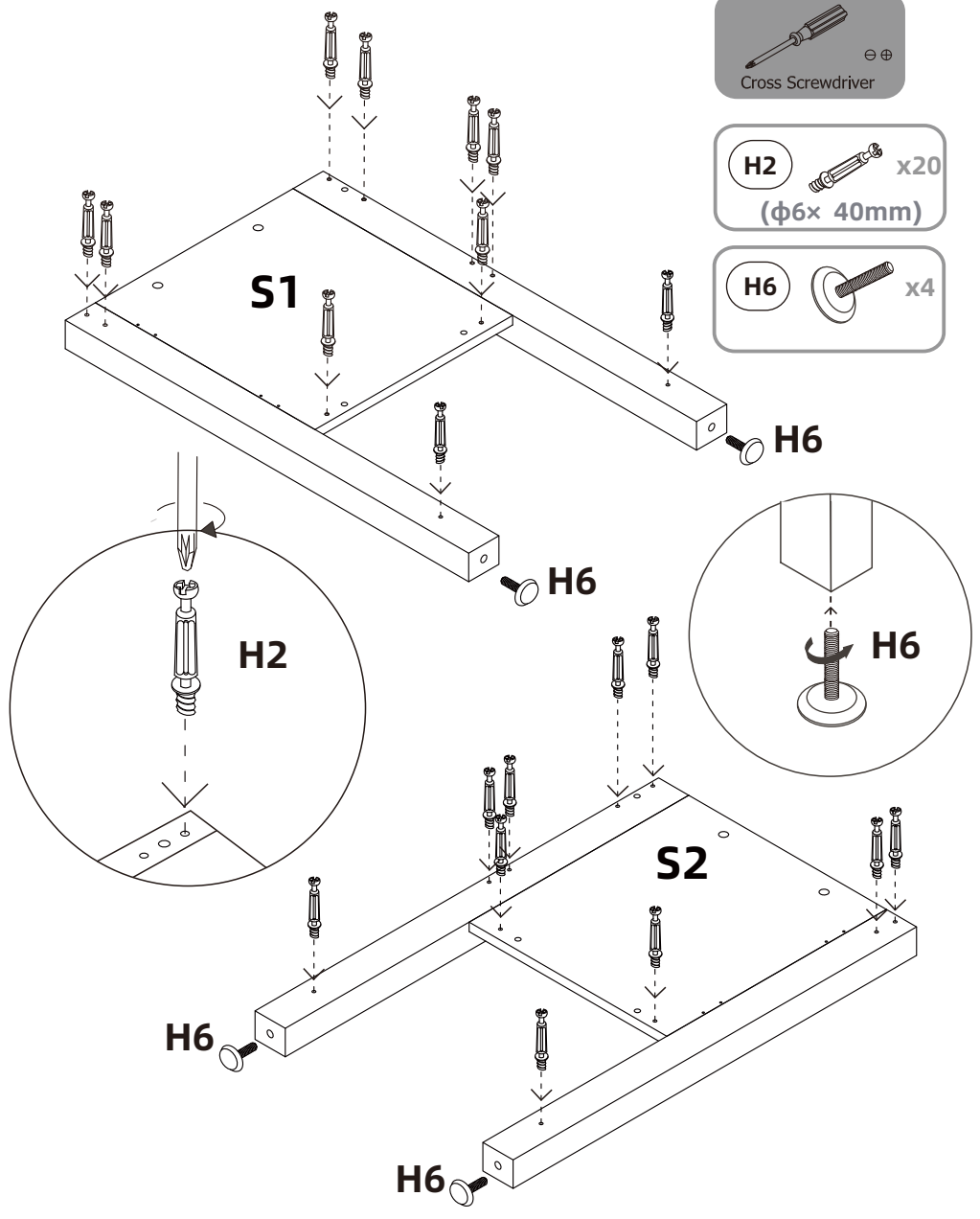
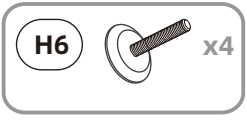
($\phi 6 \times 30\text{mm}$)

Structural Diagram



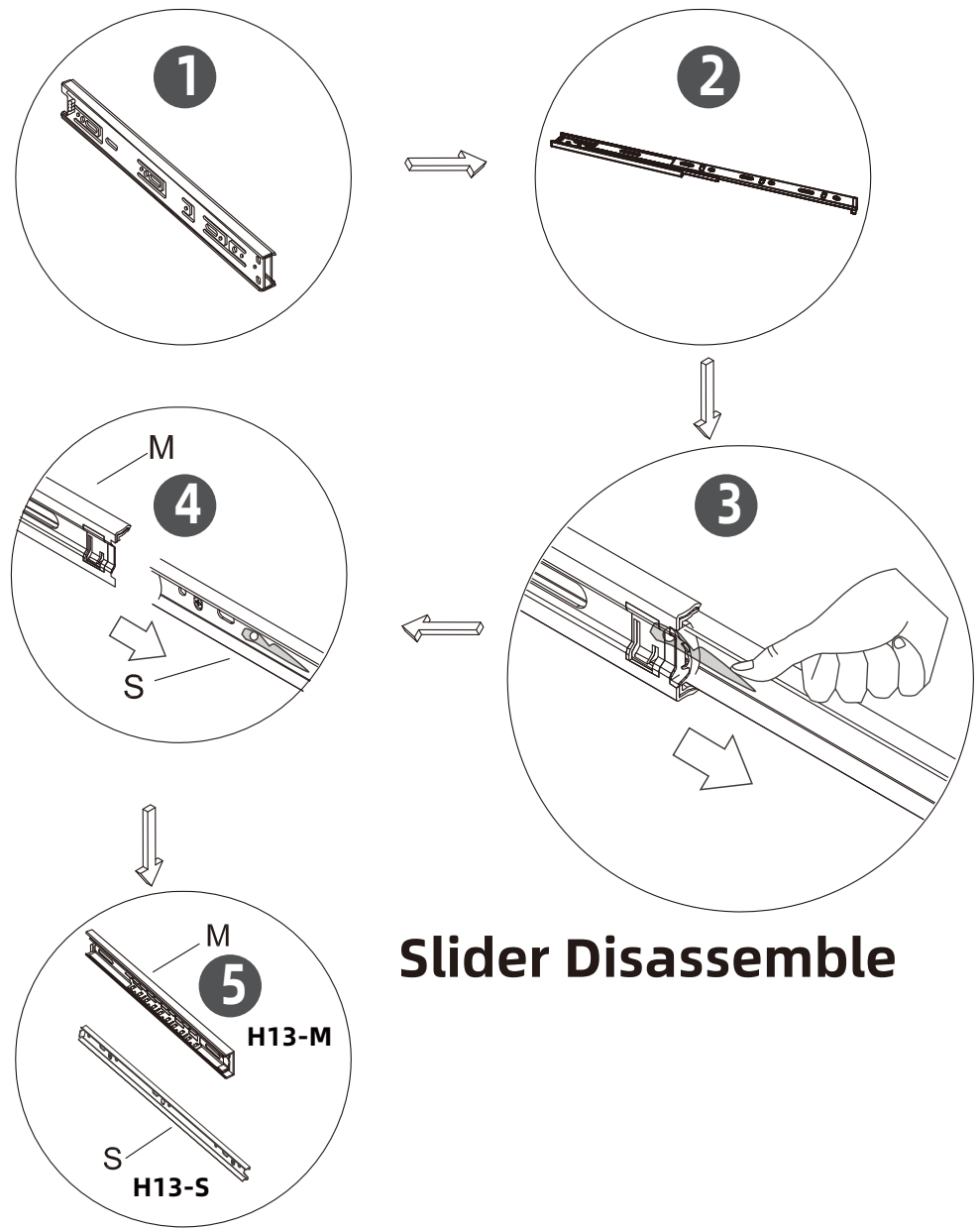
1

Side Board Installation



2

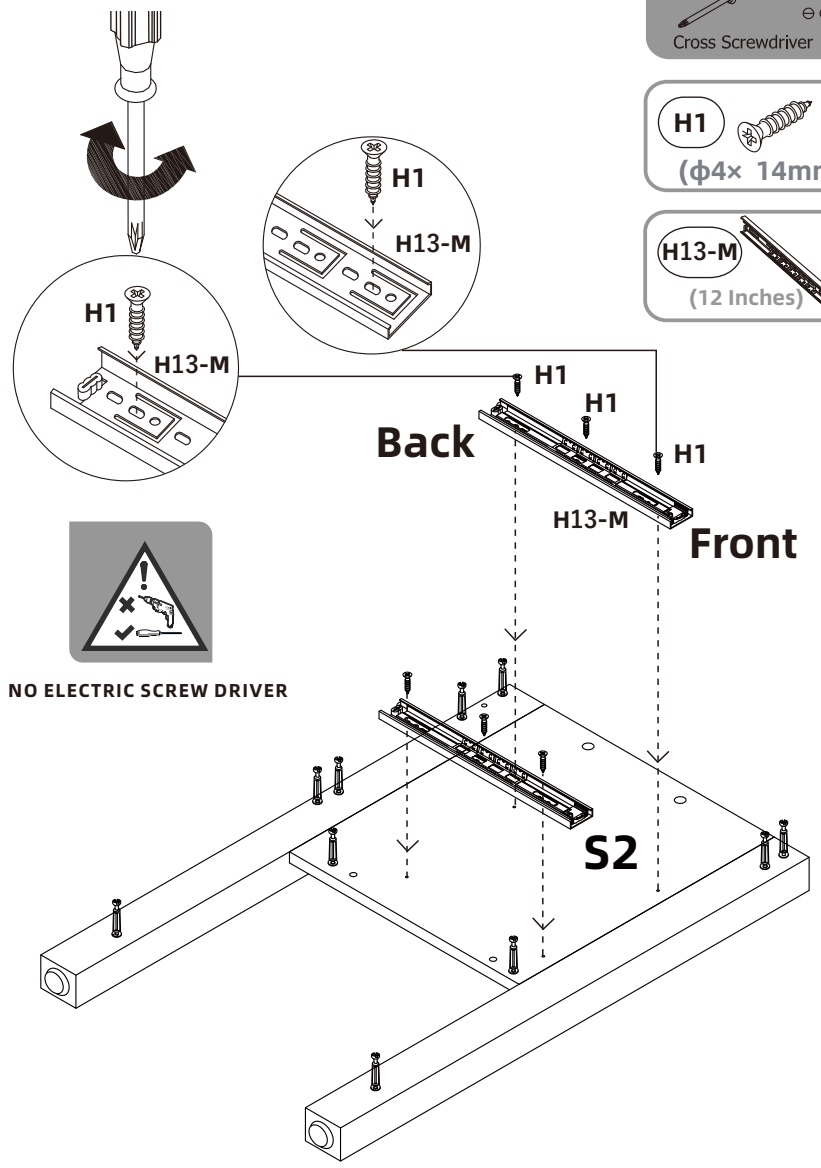
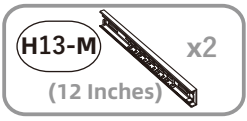
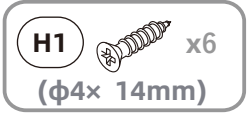
Slider Installation



Slider Disassemble

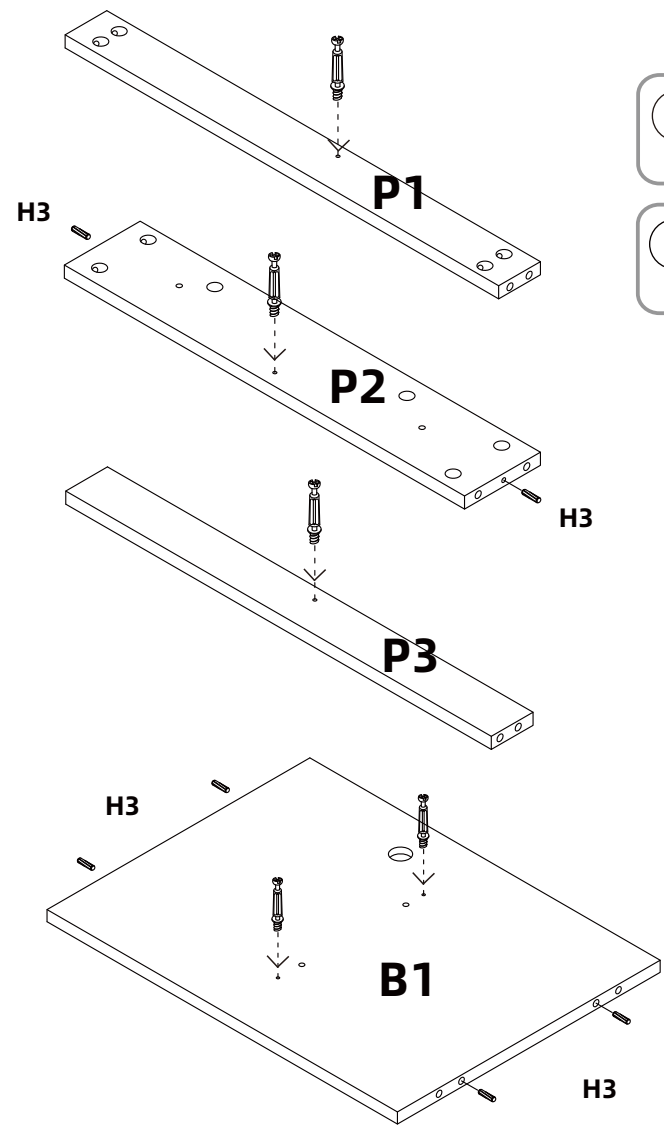
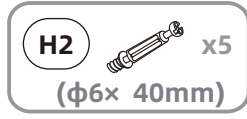
3

Slider Installation

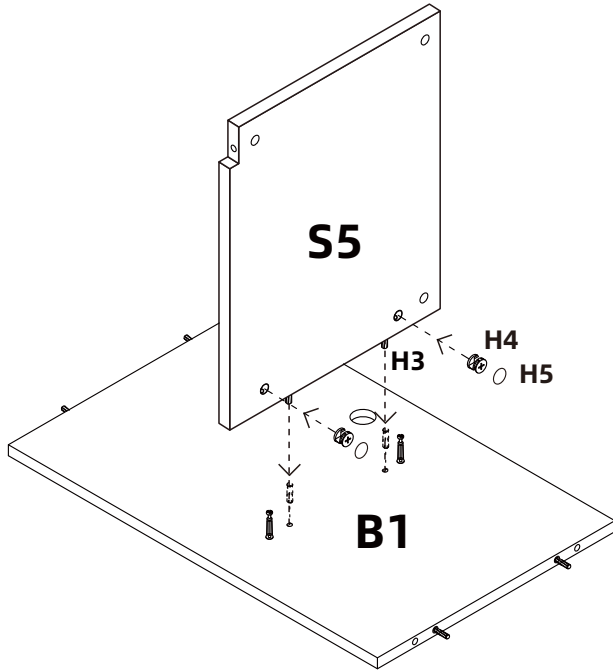


4

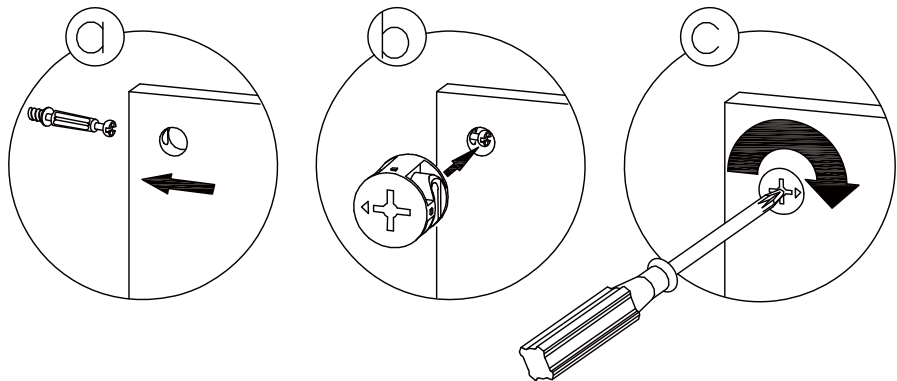
Neutral Board Installation



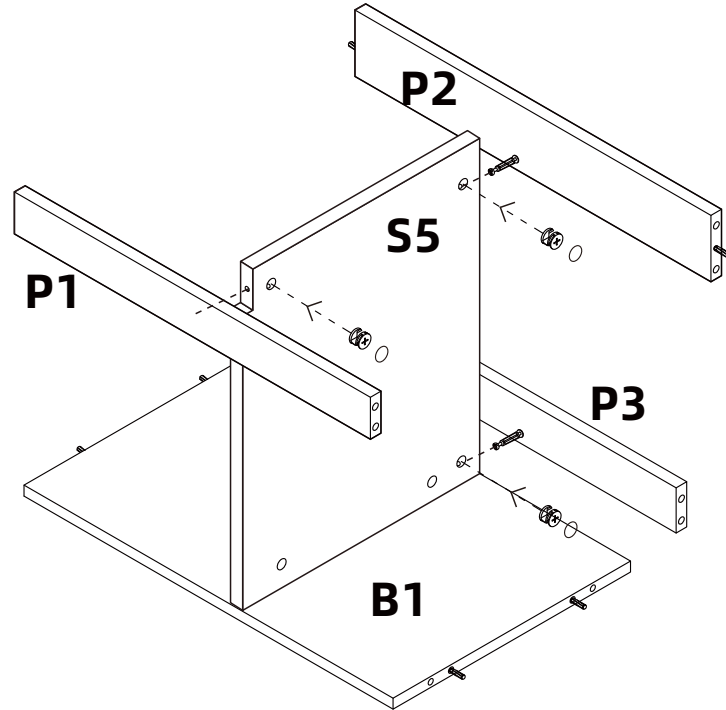
5 Neutral Board Installation



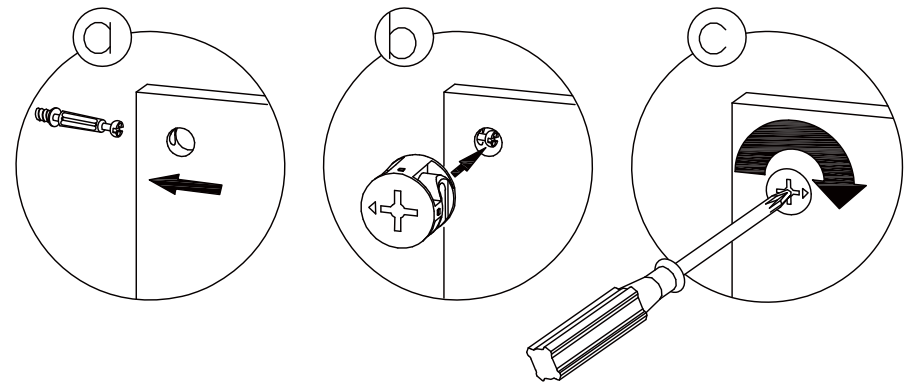
NO ELECTRIC SCREW DRIVER



6 Neutral Board Installation

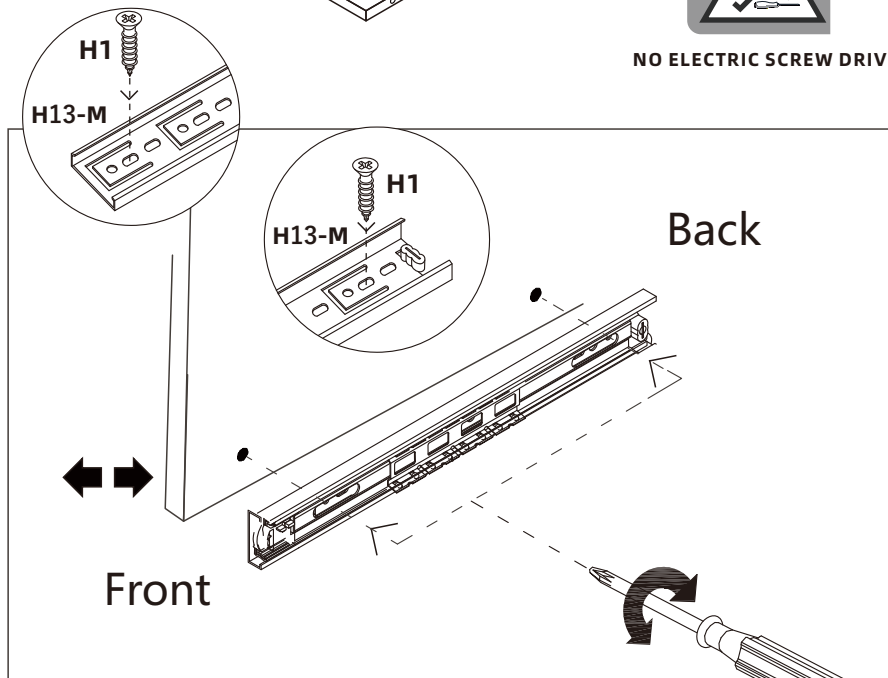
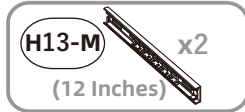
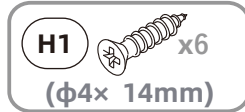
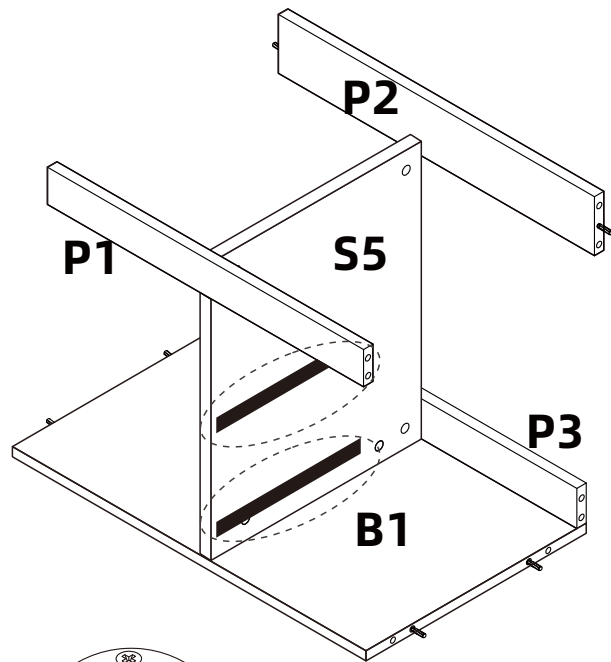


NO ELECTRIC SCREW DRIVER



7

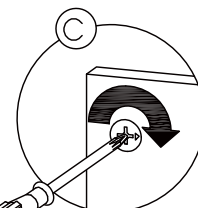
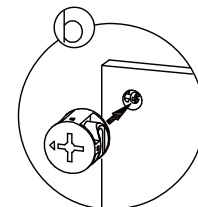
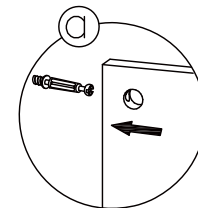
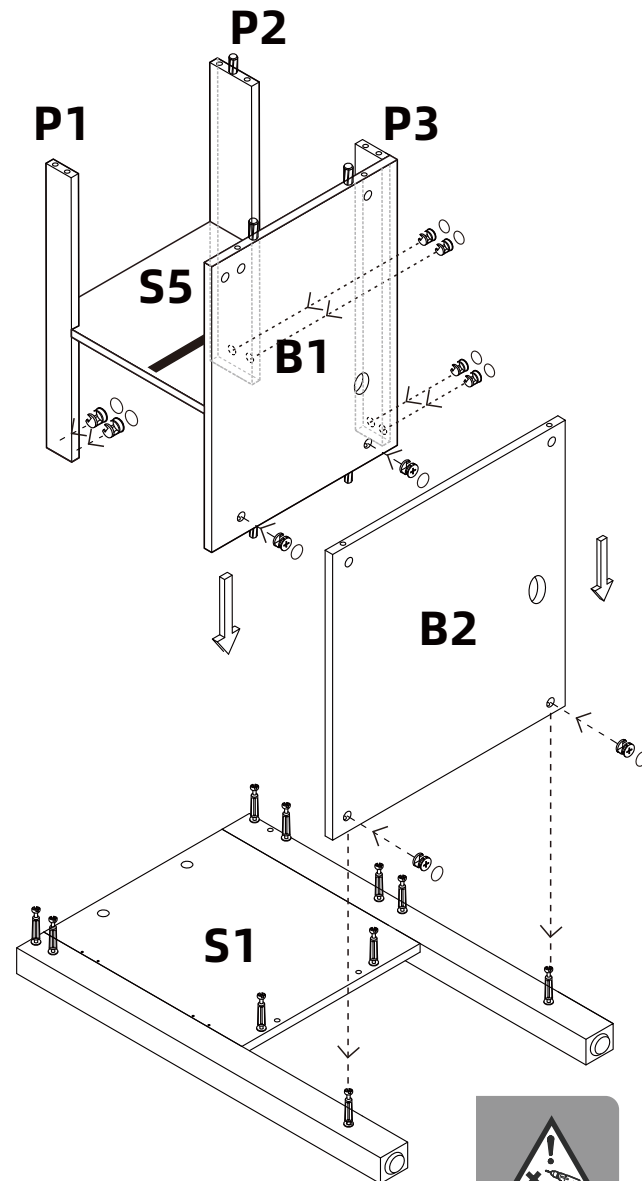
Slider Installation



8



Structure Installation

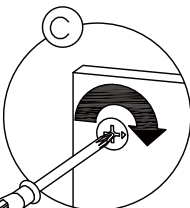
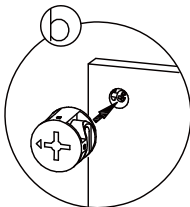
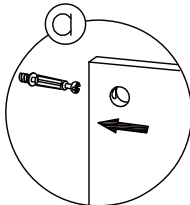
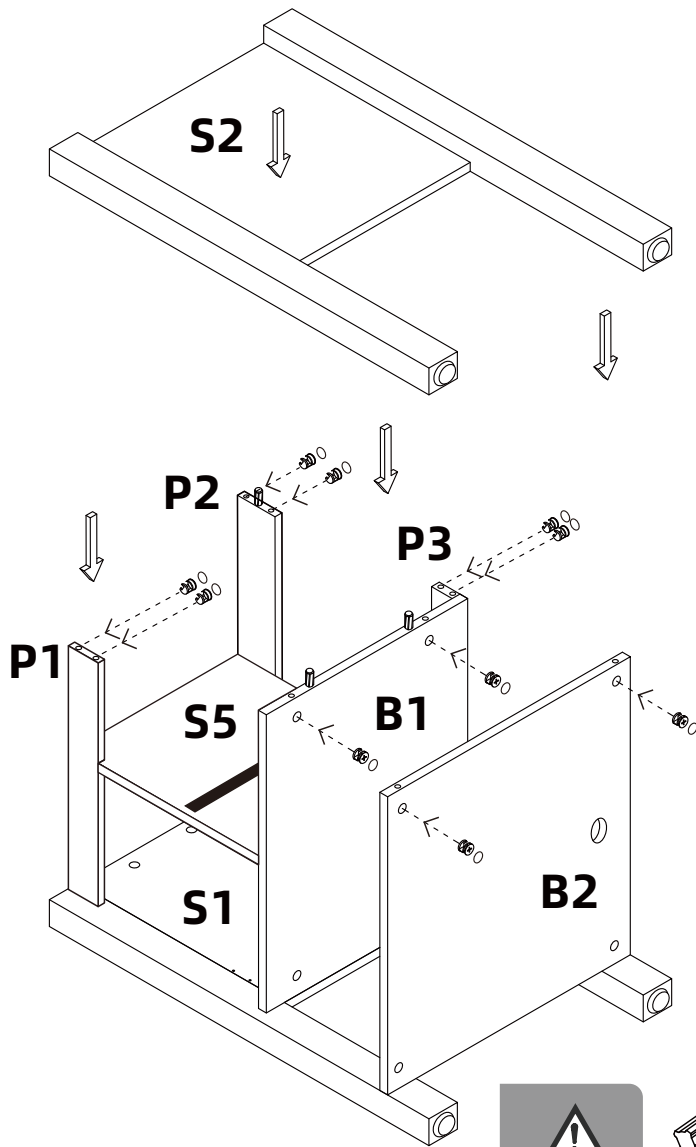


NO ELECTRIC SCREW DRIVER

9



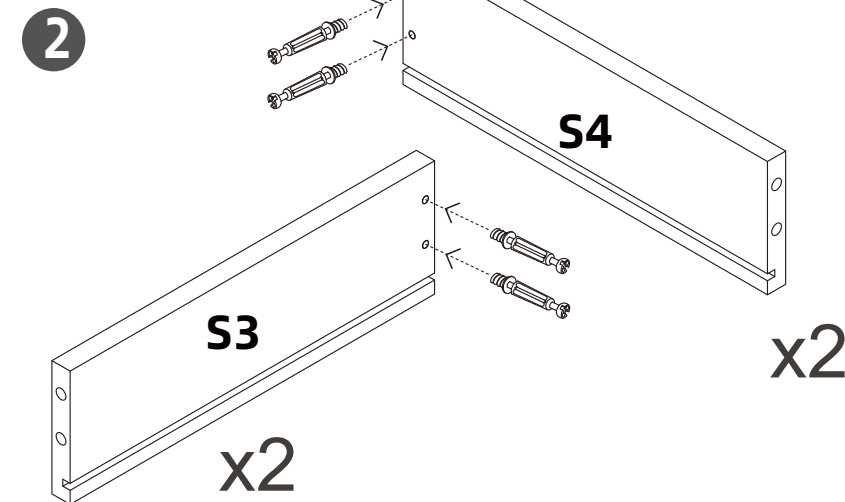
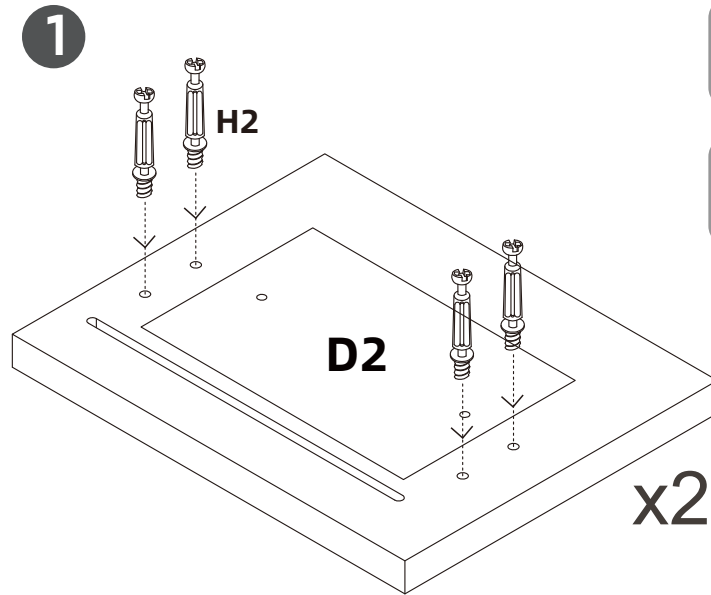
Structure Installation



NO ELECTRIC SCREW DRIVER

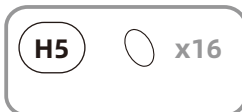
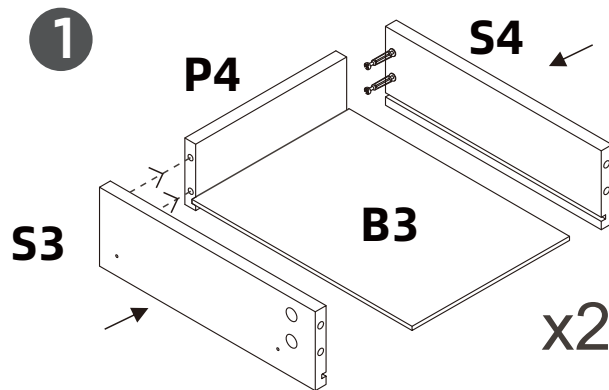
10

Drawer Installation

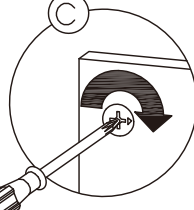
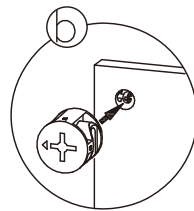
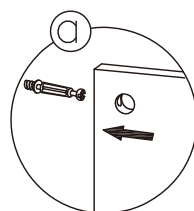
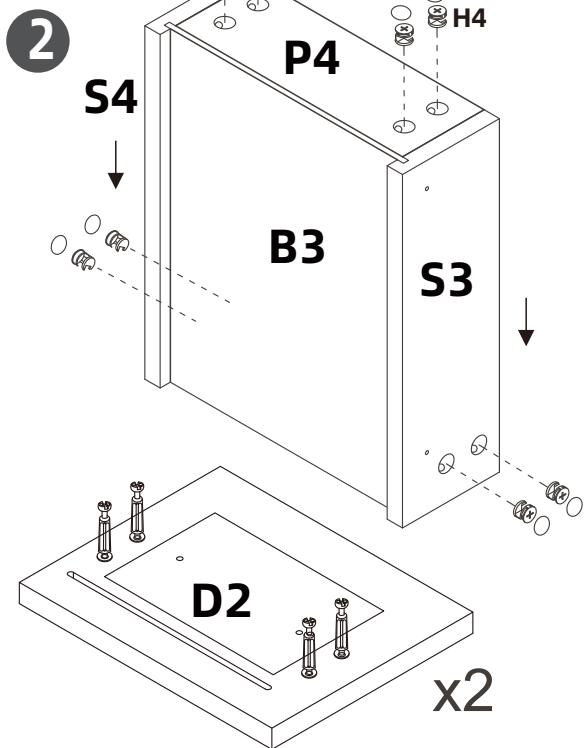


11

Drawer Installation

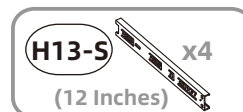
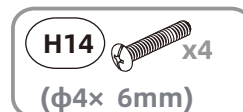
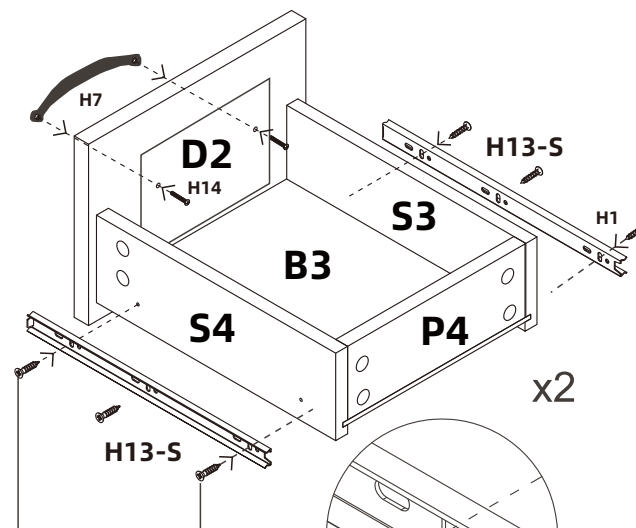


NO ELECTRIC SCREW DRIVER

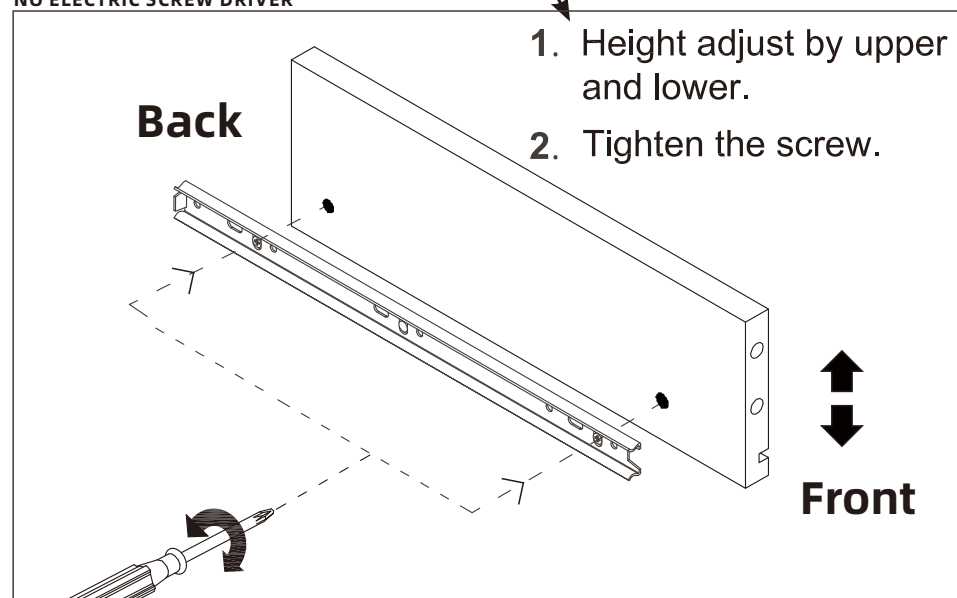


12

Slider Installation

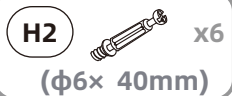
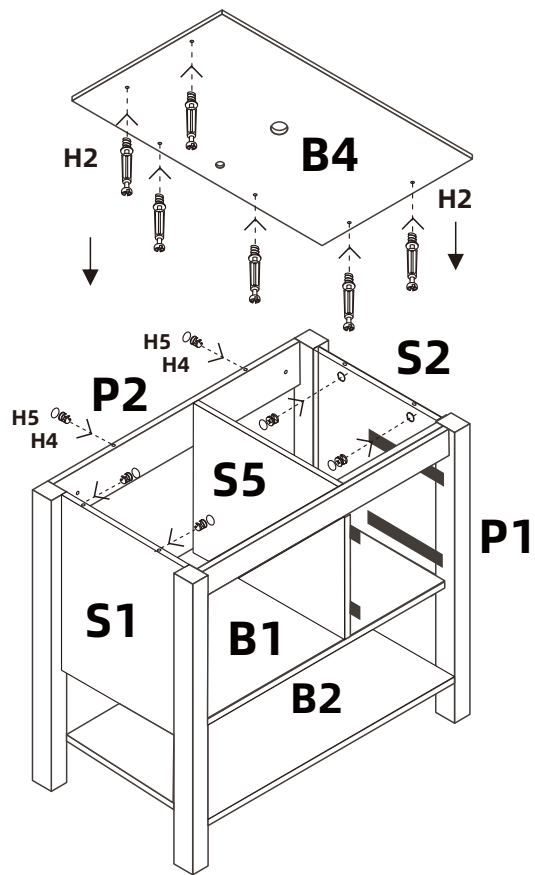


NO ELECTRIC SCREW DRIVER

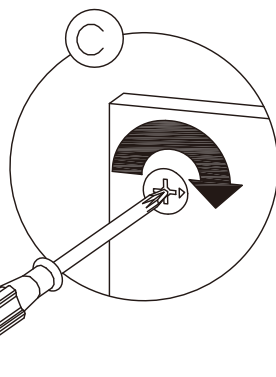
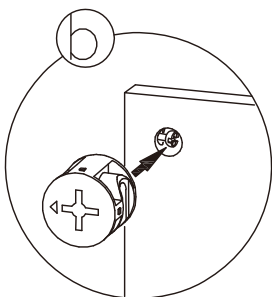
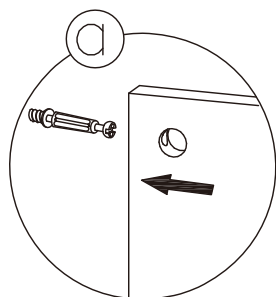


13

Top Installation

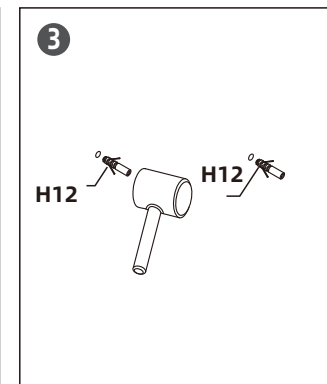
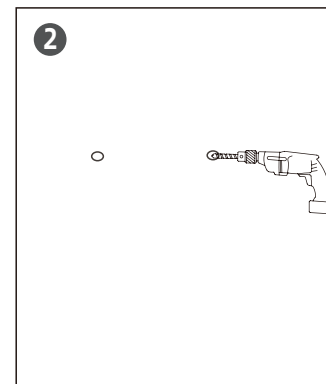
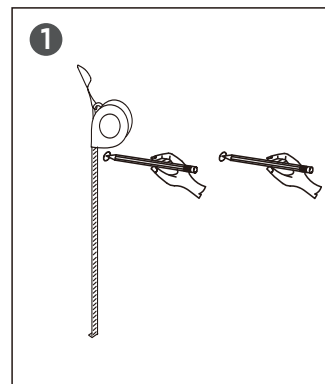
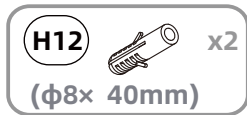
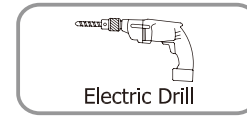
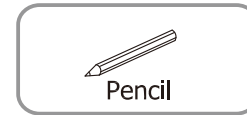
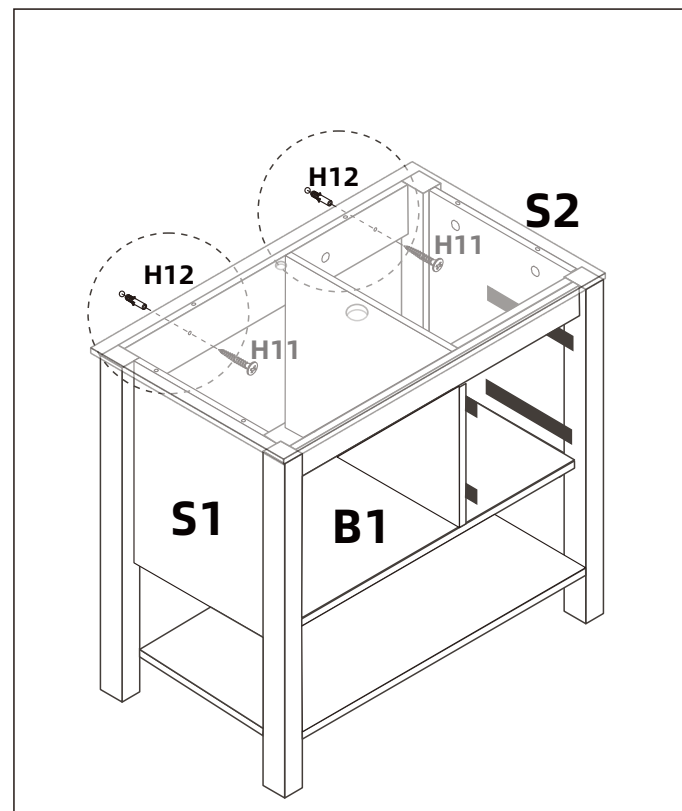


NO ELECTRIC SCREW DRIVER



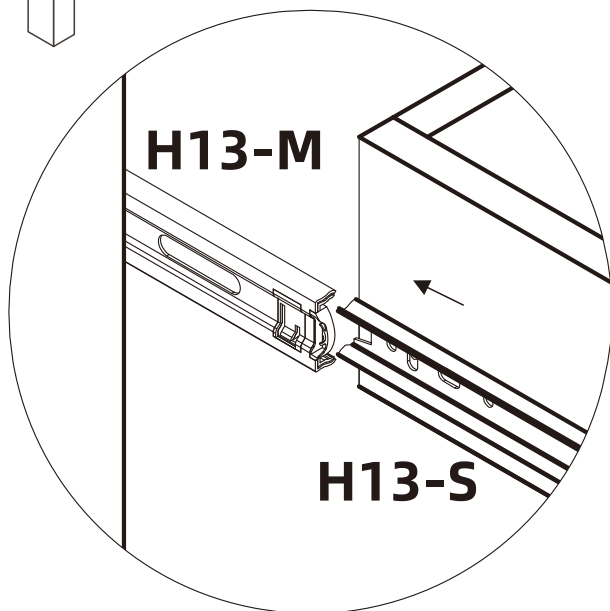
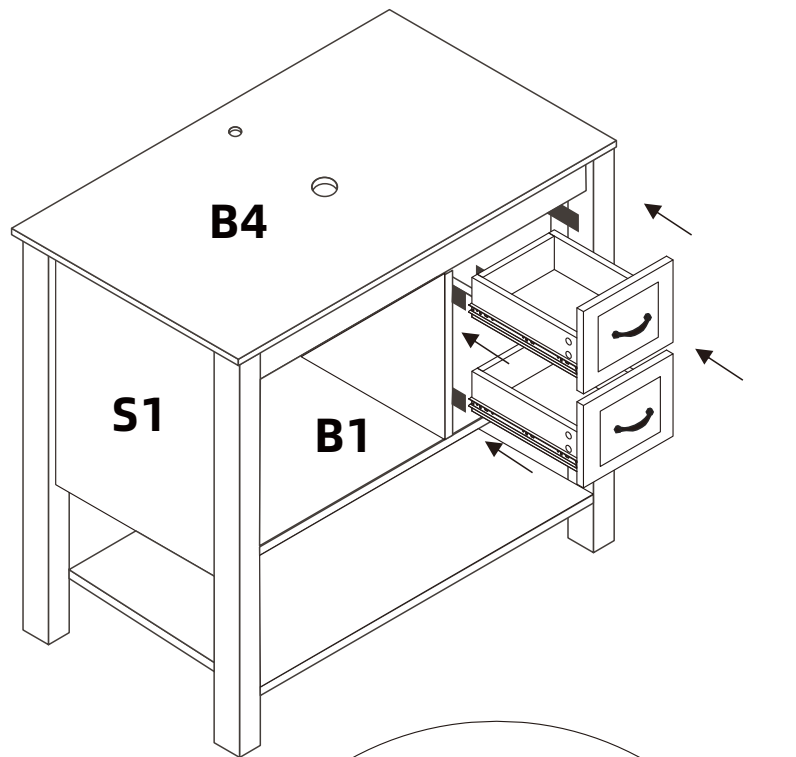
14

Cabinet Installation



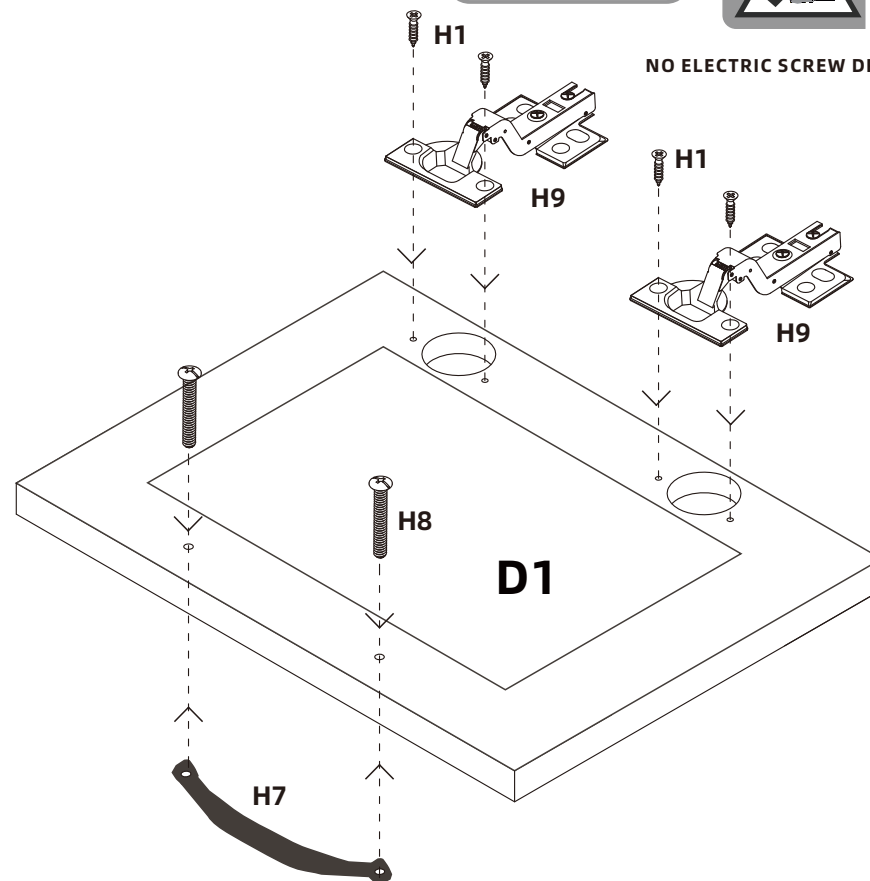
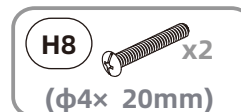
15

Drawer Installation



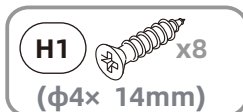
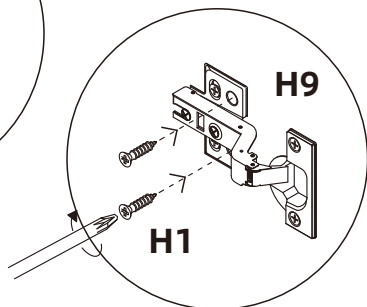
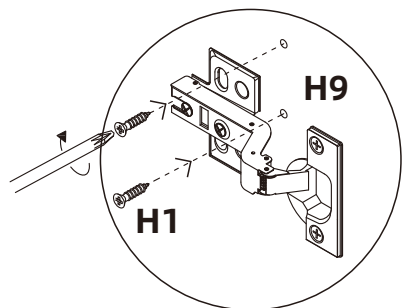
16

Hinge Installation

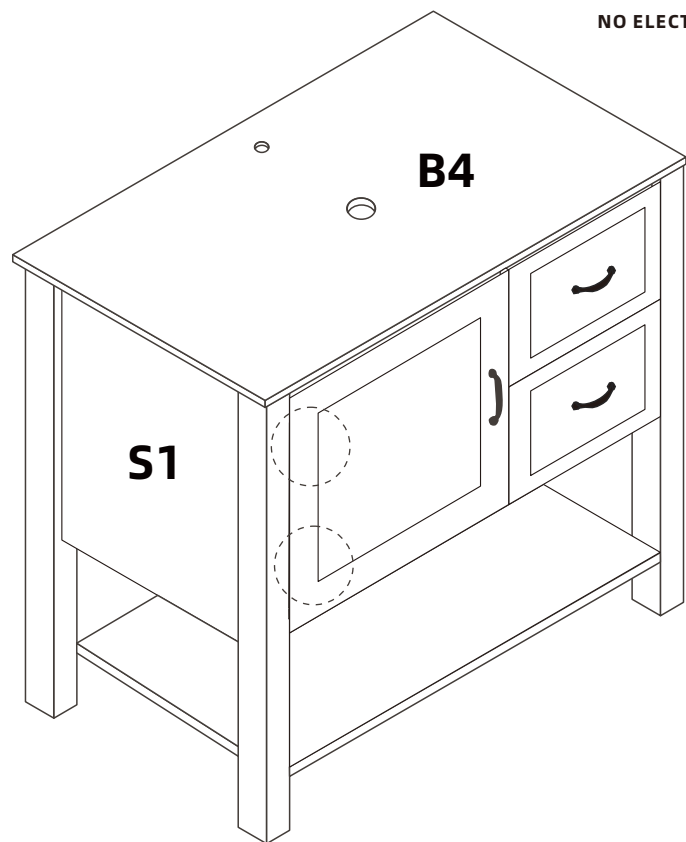


17

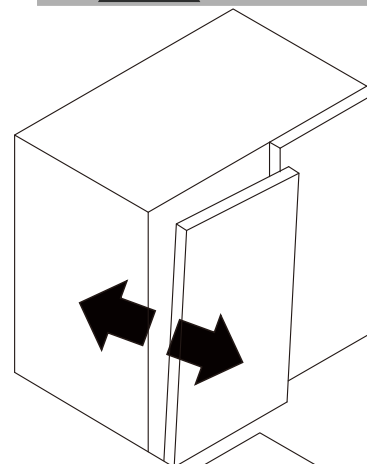
Hinge Installation



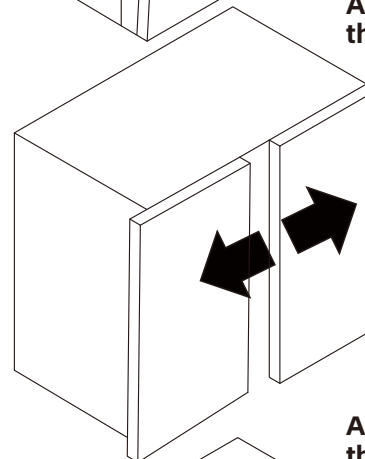
NO ELECTRIC SCREW DRIVER



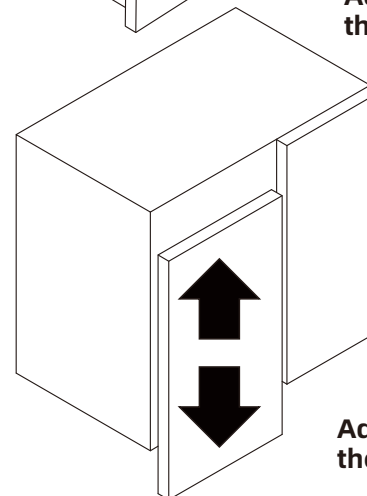
Door Adjustment



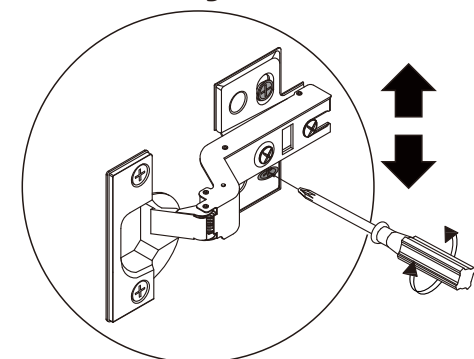
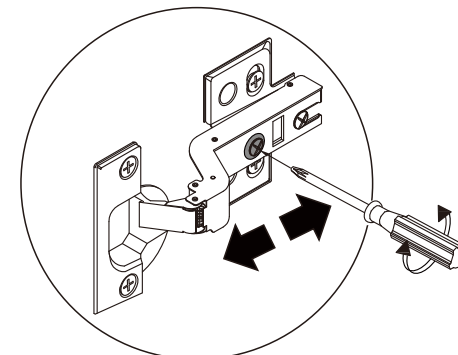
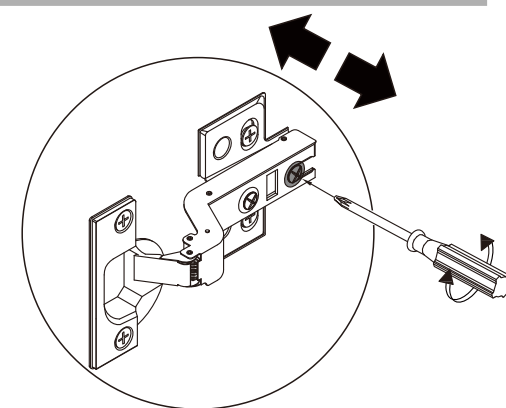
Adjust the screw to make the door lean to forward or back



Adjust the screw to make the door lean to left or right

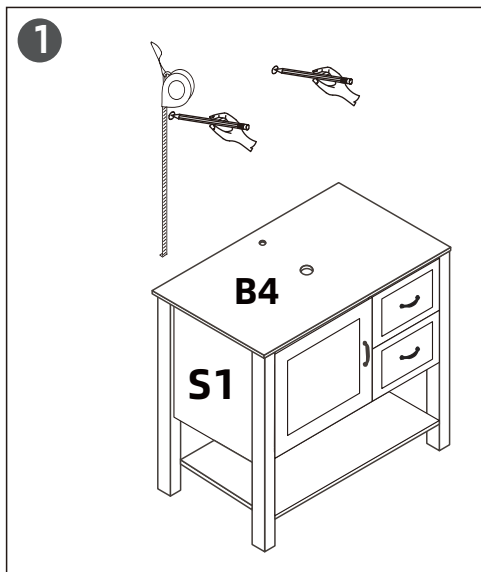


Adjust the screw to make the door lean to up or down



18

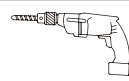
Mirror Installation



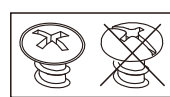
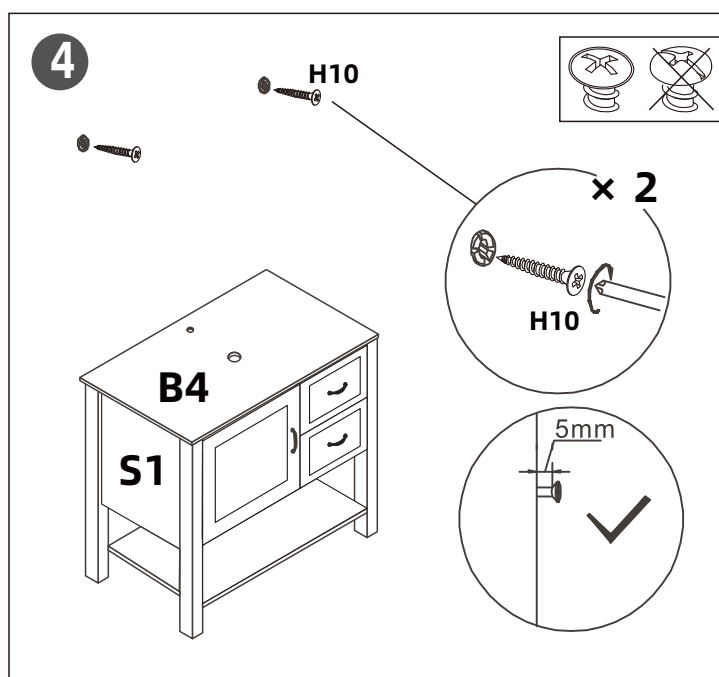
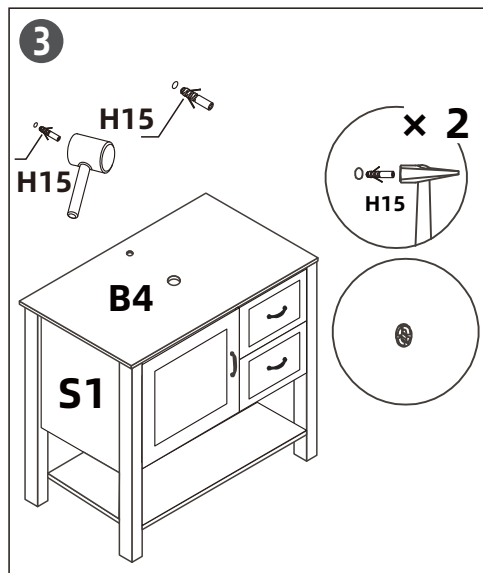
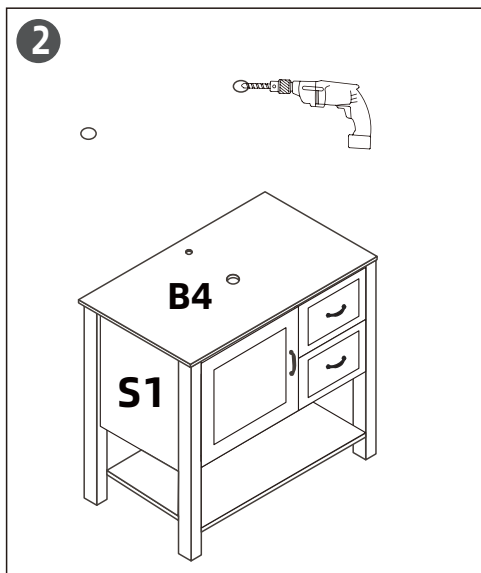
Tapeline



Pencil



Electric Drill



Hammer



Electric Drill

