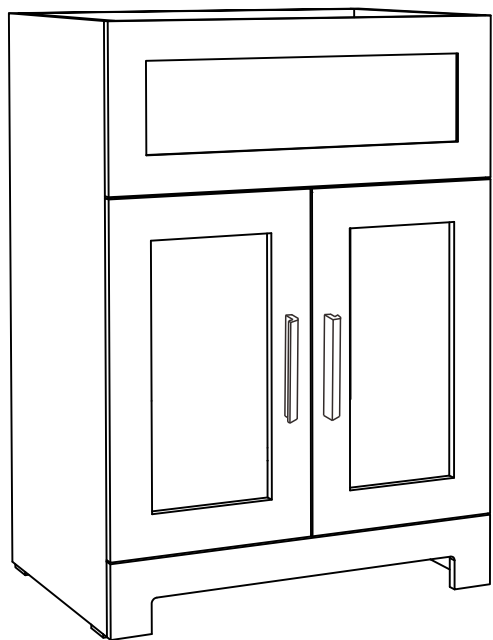





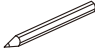
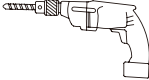
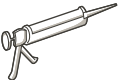
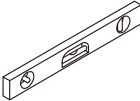

# Installation Manual

## QV14W



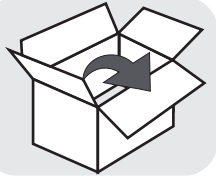
**Please keep the boxes if you need return;  
Check before installation;  
Return won't be accepted afterwards;**

### Pre-installation preparation

 Cross Screwdriver	 Hammer	 Tape Measure
 Pencil	 Electric Drill	 Glass Cement
 Leveling Rod	 Electric Drill	



## Spare Parts List



H1



H2



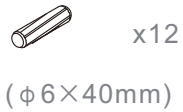
H3



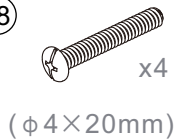
H4



H7



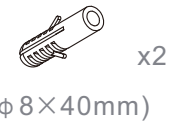
H8



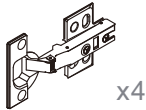
H9



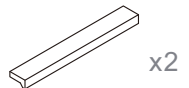
H10



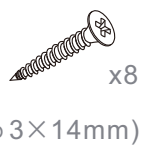
H13



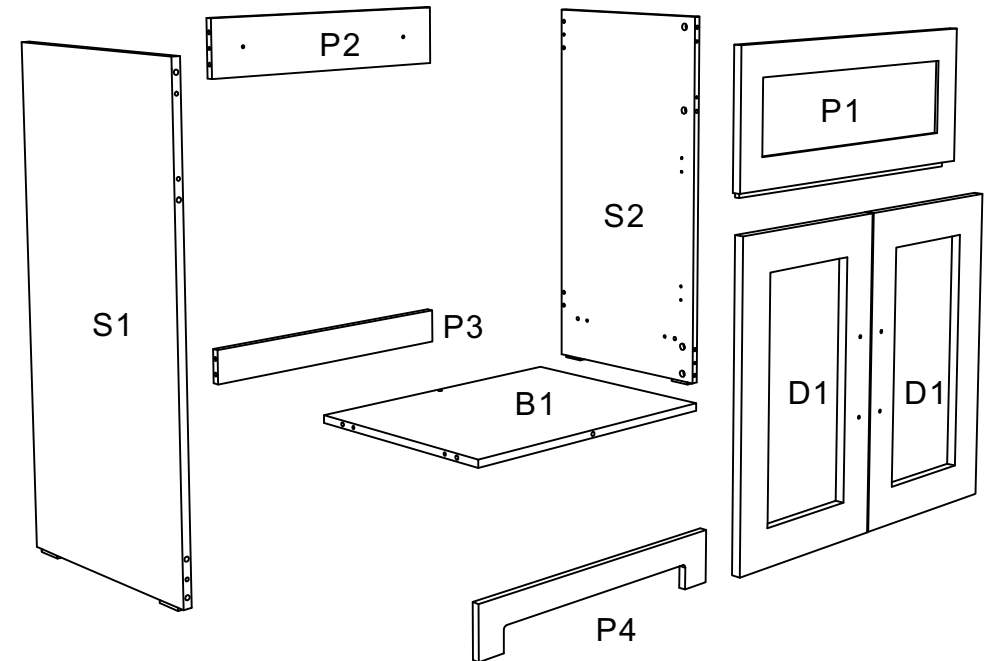
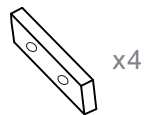
H14



H15



H16



# 1

## Bottom Board Installation



Cross Screwdriver

H4 x1

H2 x1

(φ 6×40mm)

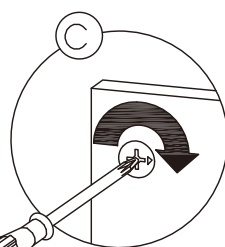
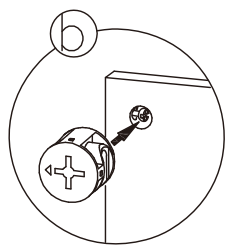
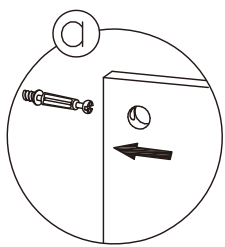
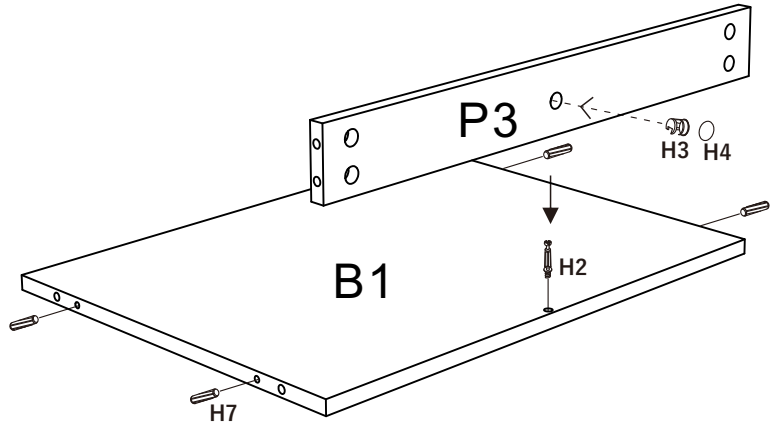
H7 x4

(φ 6×40mm)

H3 x1



NO ELECTRIC SCREW DRIVER



# 2

## Side Board Installation



Cross Screwdriver

H2 x12

(φ 6×40mm)

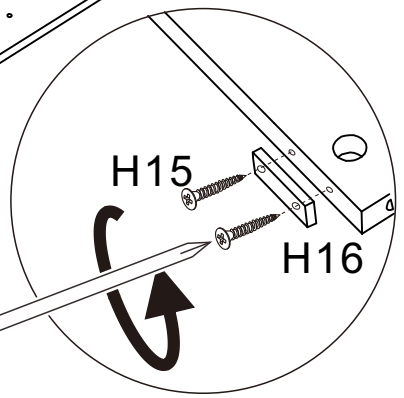
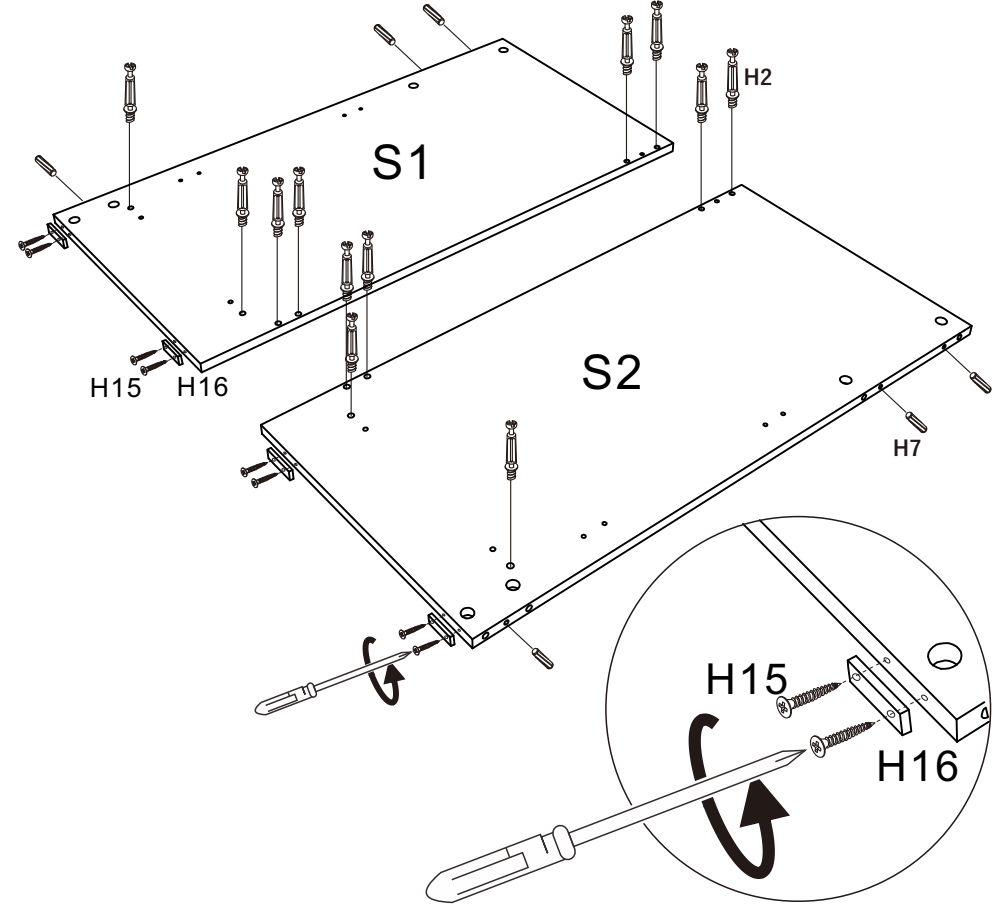
H15 x8

(φ 3×14mm)

H7 x6

(φ 6×40mm)

H16 x4

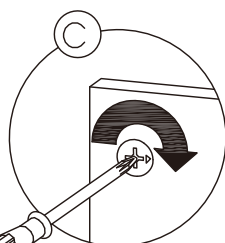
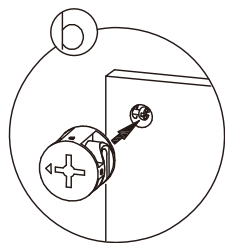
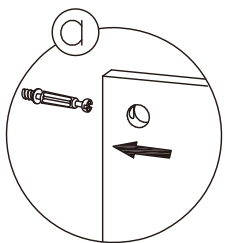
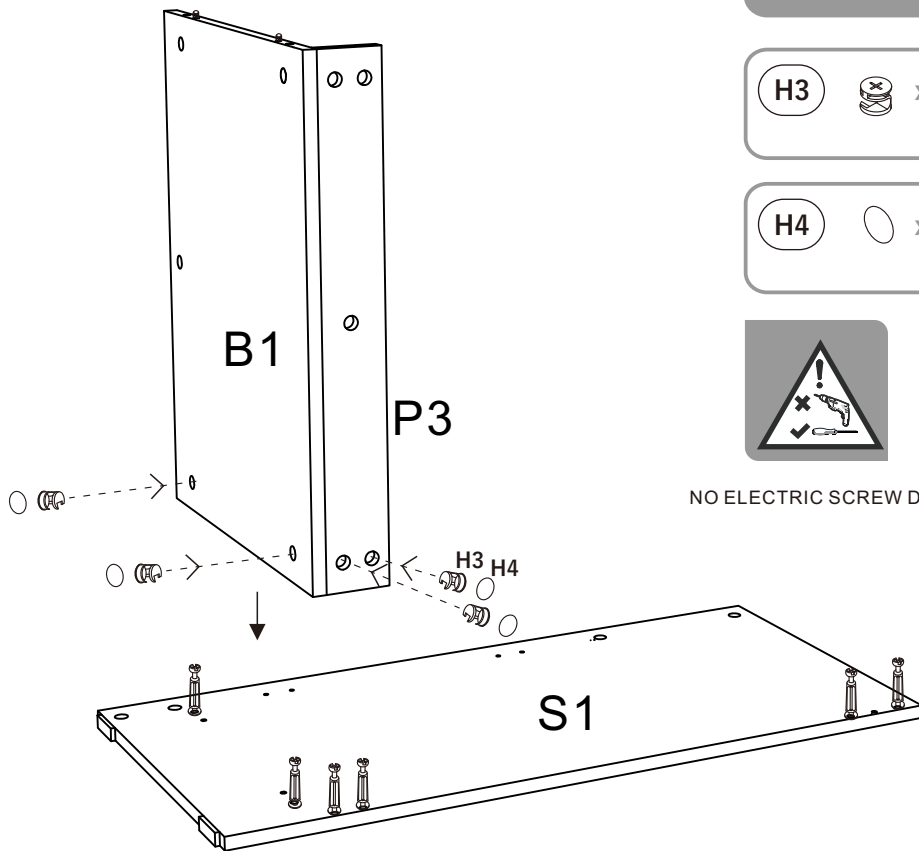


3

# Structure Installation



NO ELECTRIC SCREW DRIVER

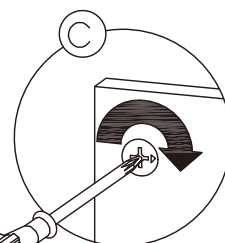
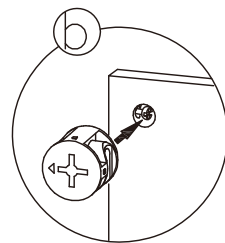
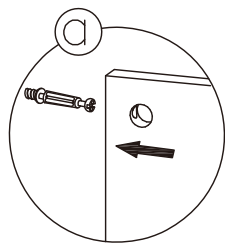
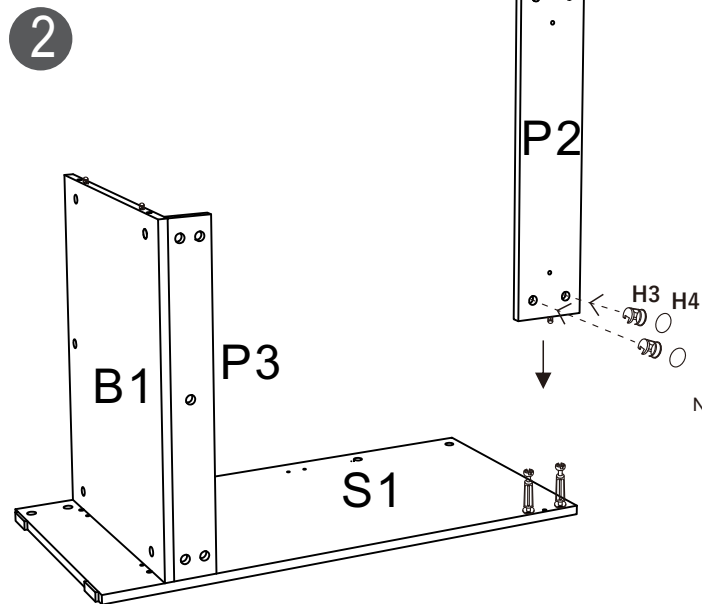
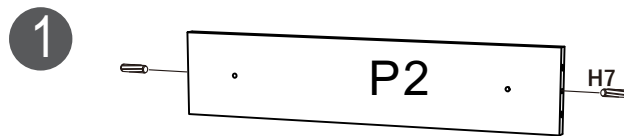


4

# Structure Installation



NO ELECTRIC SCREW DRIVER

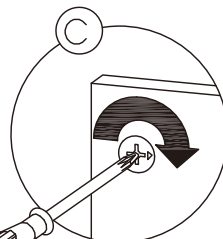
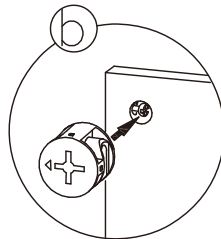
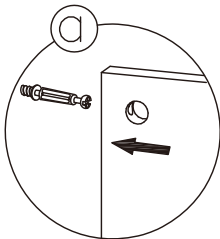
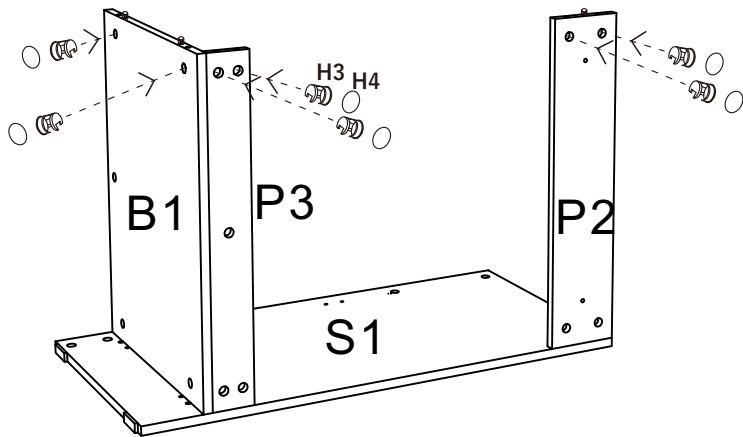
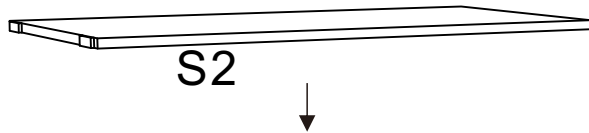


5

# Structure Installation



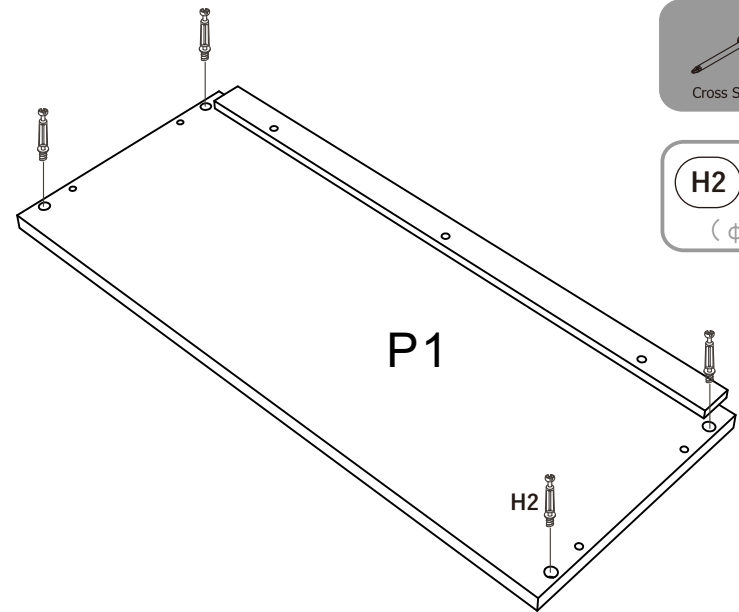
NO ELECTRIC SCREW DRIVER



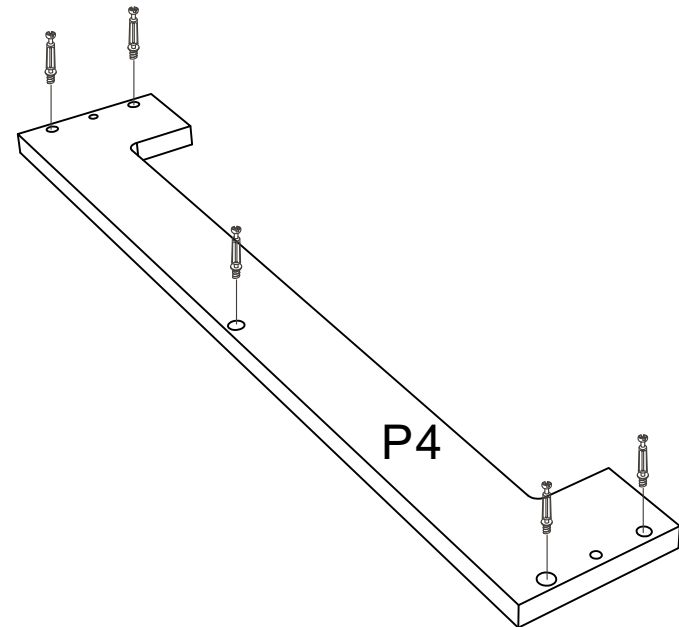
6

# Skirting Board Installation

1



2

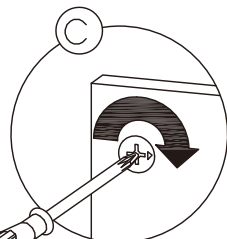
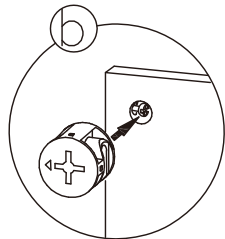
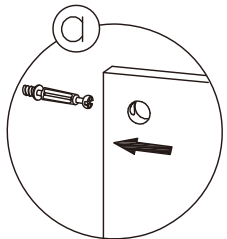
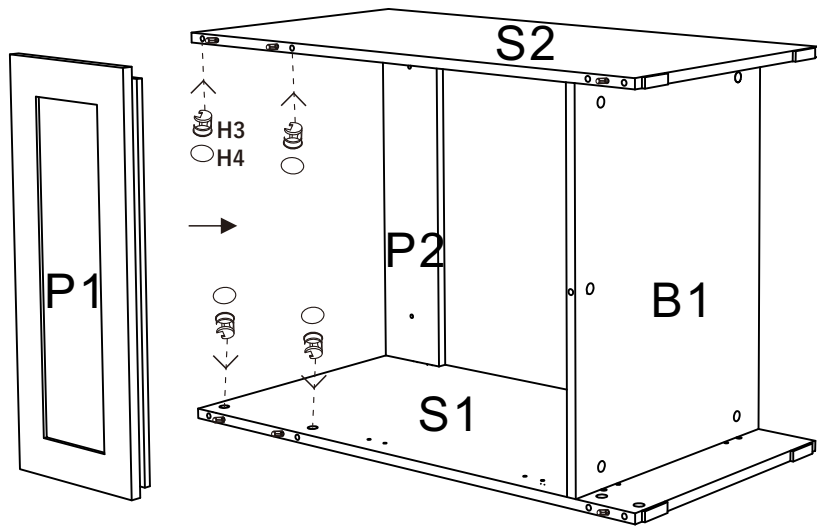


# 7

## Eyebrow Board Installation



NO ELECTRIC SCREW DRIVER

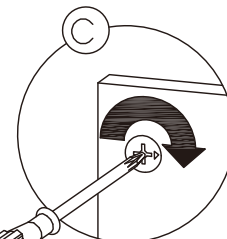
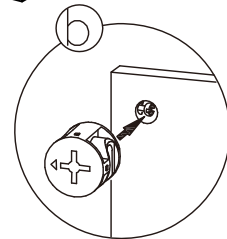
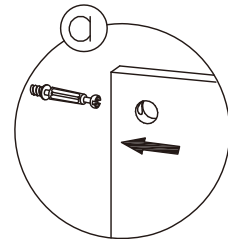
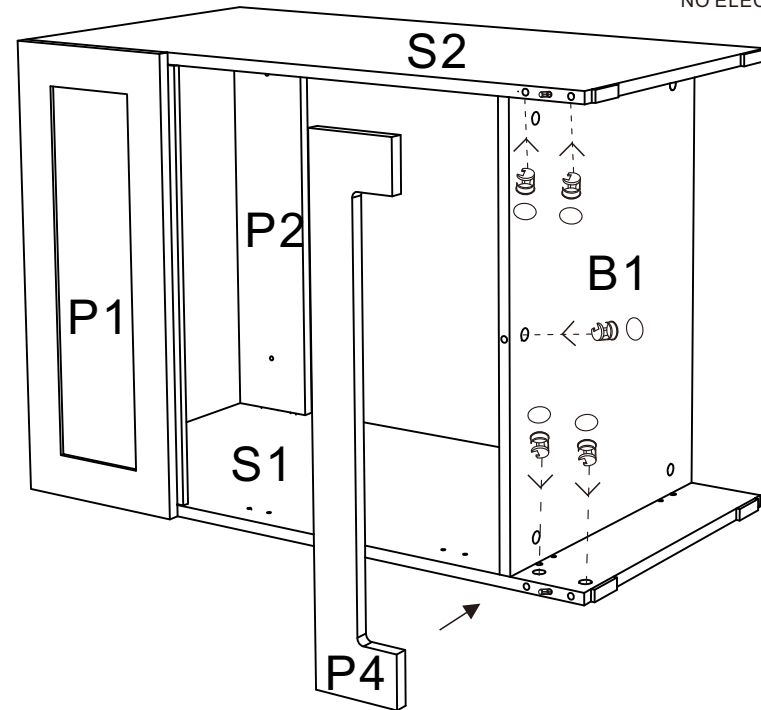


# 8

## Skirting Board Installation



NO ELECTRIC SCREW DRIVER



9

# Hinge Installation



Cross Screwdriver



H8 x4

(φ 4×20mm)



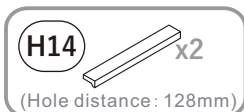
H1 x8

(φ 4×14mm)



H13 x4

(Straight bend)

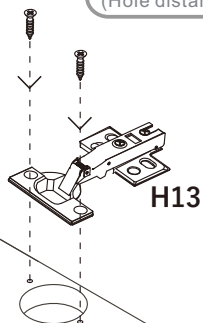


H14 x2

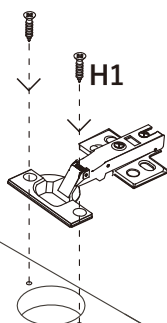
(Hole distance: 128mm)



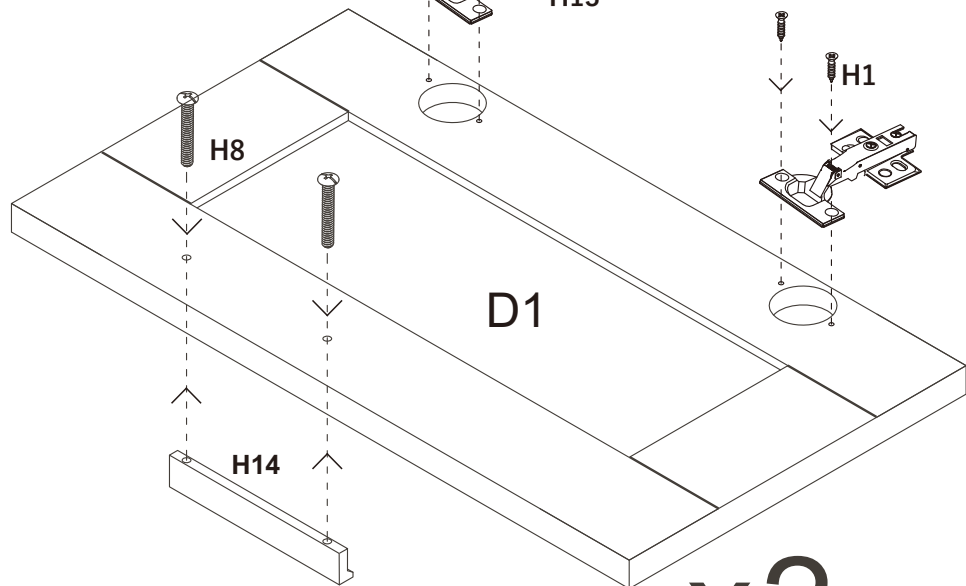
NO ELECTRIC SCREW DRIVER



H13



H1



H8

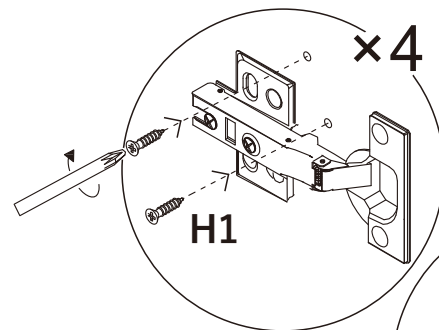
D1

H14

x2

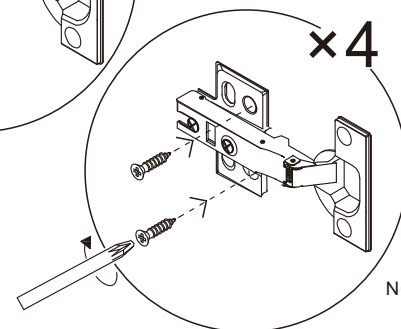
10

# Hinge Installation



x4

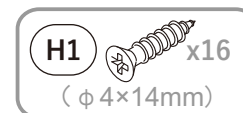
H1



x4



Cross Screwdriver

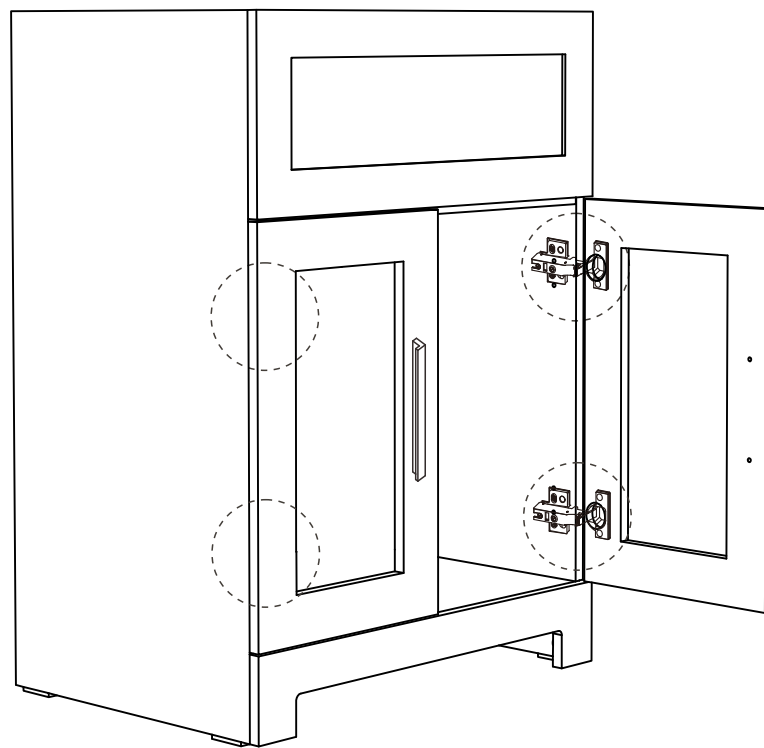


H1 x16

(φ 4×14mm)

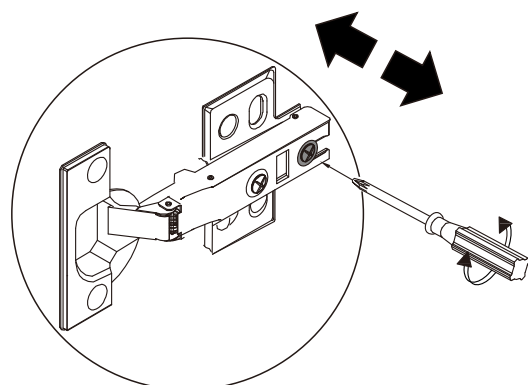
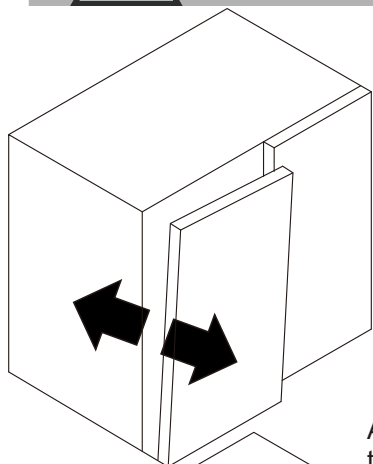


NO ELECTRIC SCREW DRIVER

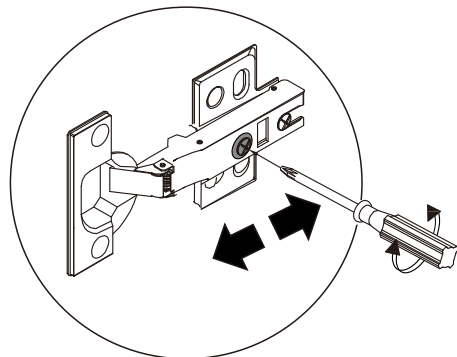
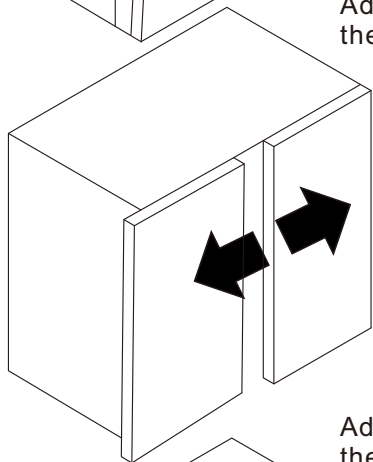




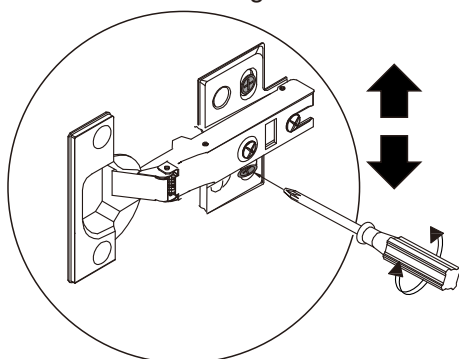
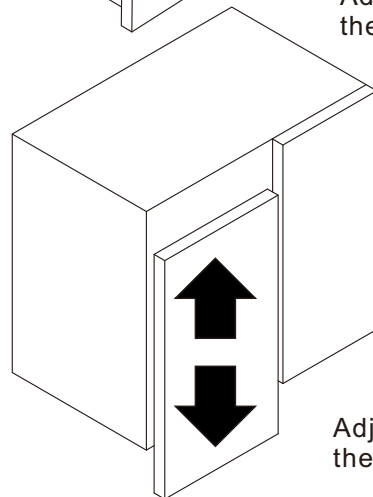
## Door Adjustment



Adjust the screw to make the door lean to forward or back



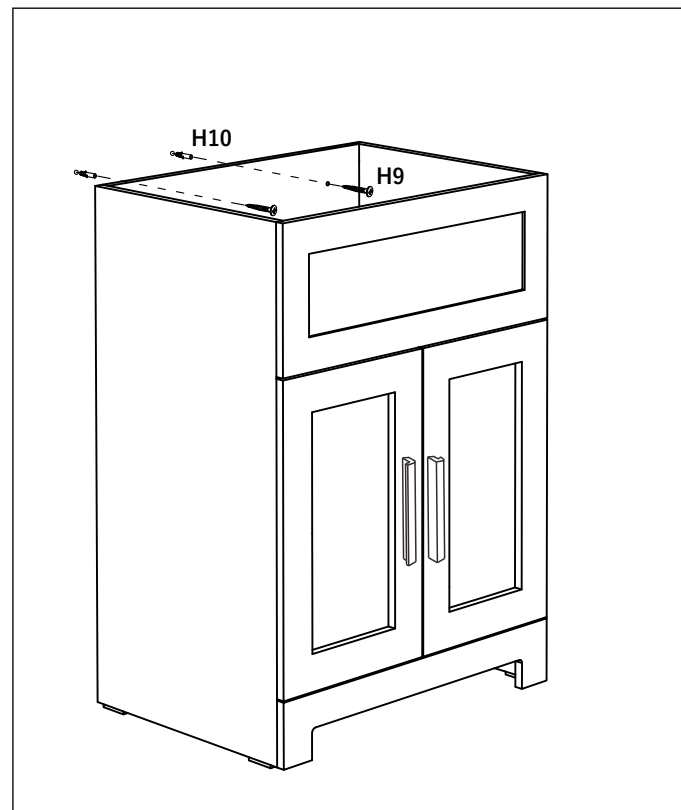
Adjust the screw to make the door lean to left or right



Adjust the screw to make the door lean to up or down

# 11

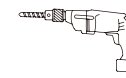
## Cabinet Installation



Tapeline



Pencil



Electric Drill



Electric Drill



Hammer



H9 x2

( φ 4×50mm)



H10 x2

( φ 8×40mm)

