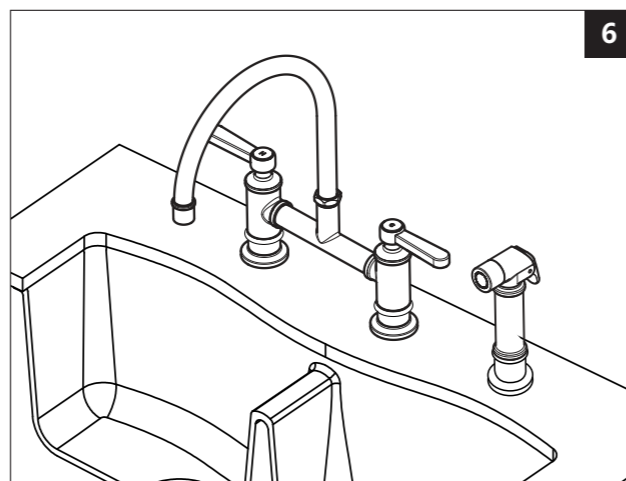
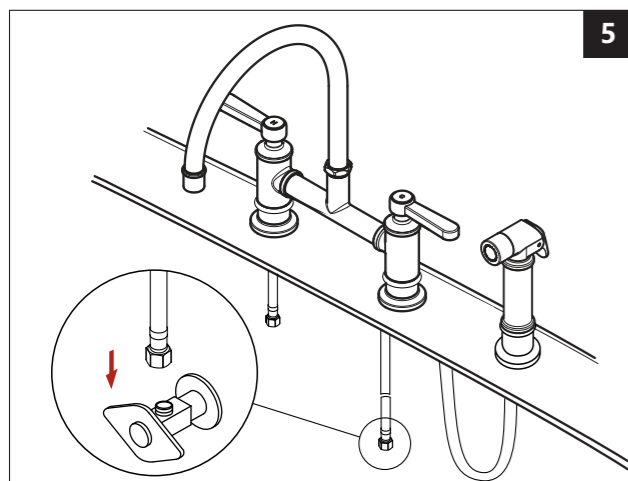
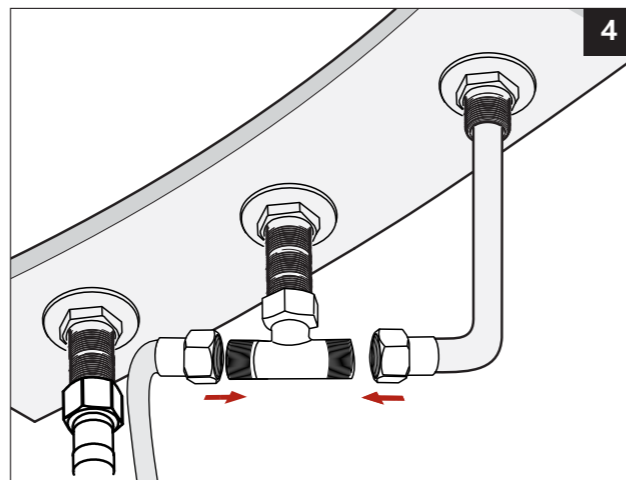
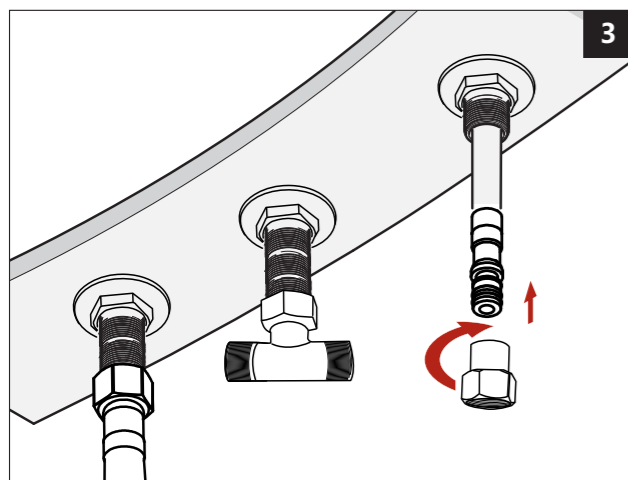
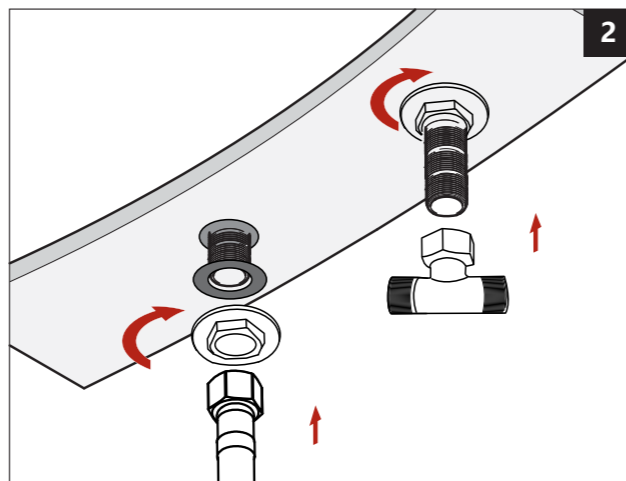
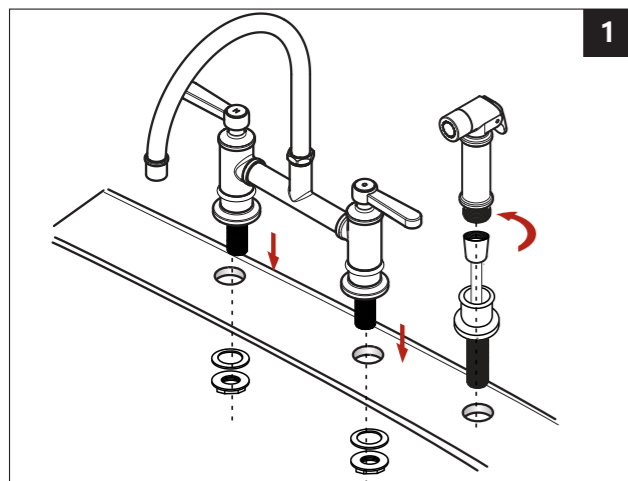
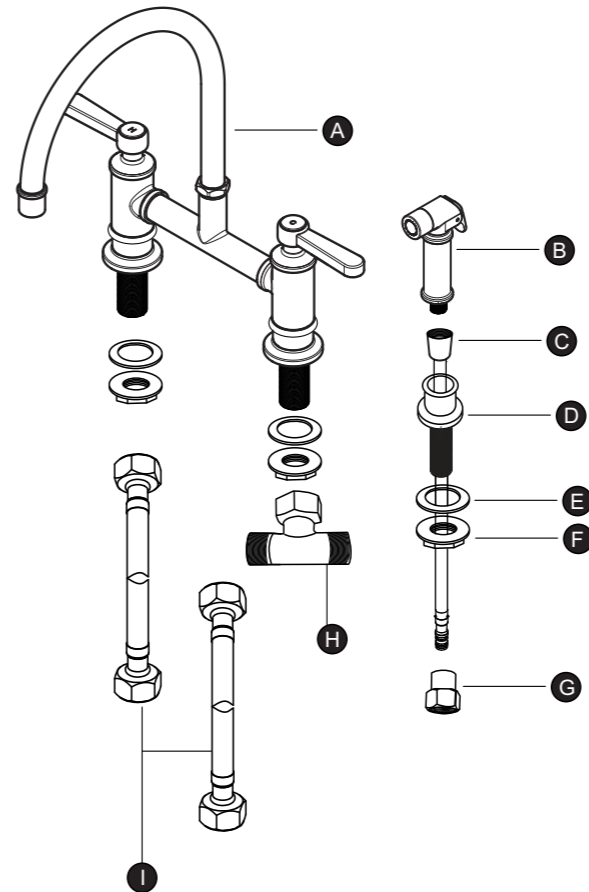


INSTALLATION STEPS



PARTS LIST



No.	Description
A	Faucet Body
B	Side Sprayer
C	Sprayer Hose
D	Sprayer Base
E	Rubber Washer
F	Mounting Nut
G	Plug (for NO side sprayer installation)
H	T adapter
I	Cold / hot supply line

Bridge Kitchen Faucet with Side Sprayer

Installation instruction



MB/BN/BG/CH/ORB

CARE INSTRUCTIONS

Rinse the product with clear water. Dry the product with a soft cloth.

DO NOT:

Use abrasive cleansers, cloths, or paper towels. Use any cleaning agents containing acid, polish, wax, alcohol, ammonia, bleach, solvent or any other corrosive or harsh chemical cleansers.

RECOMMENDED TOOLS

