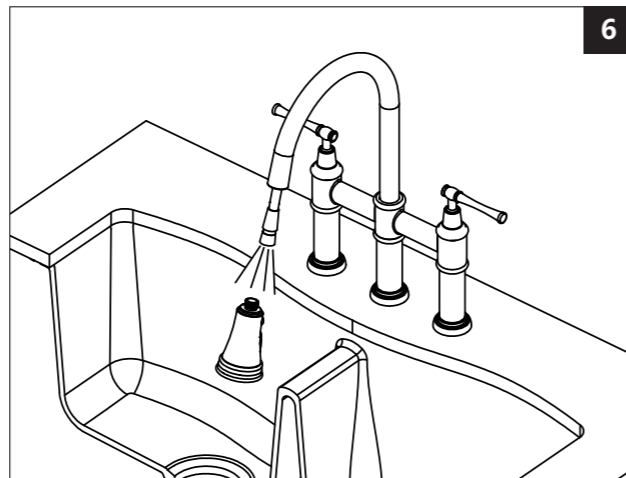
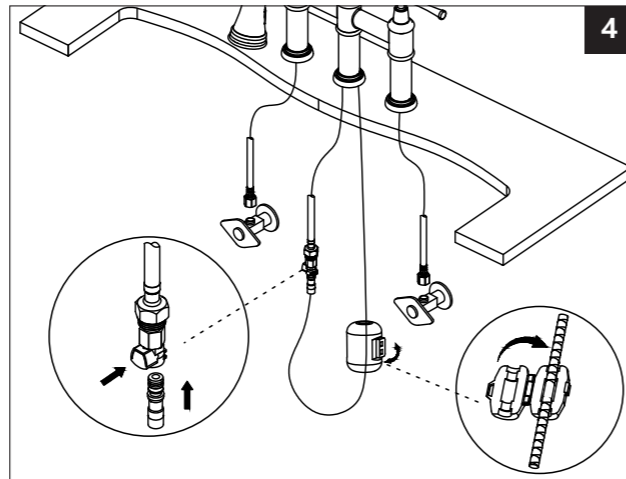
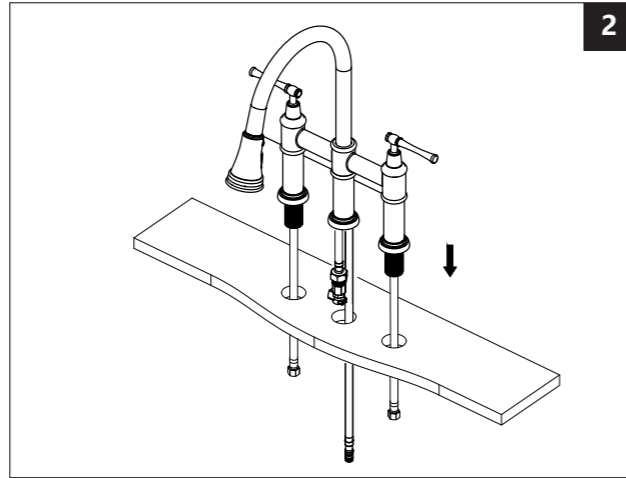
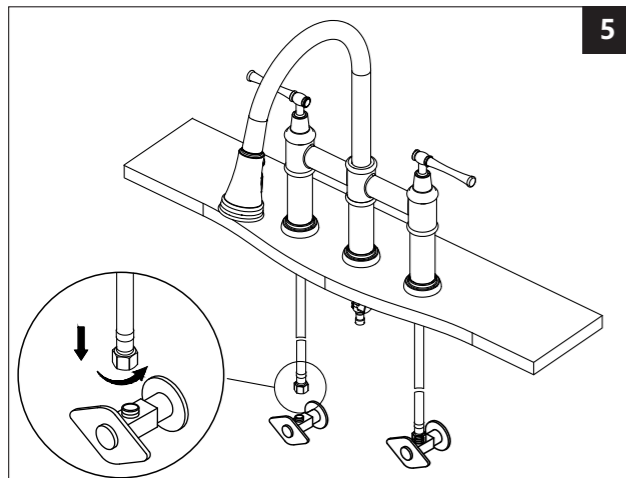
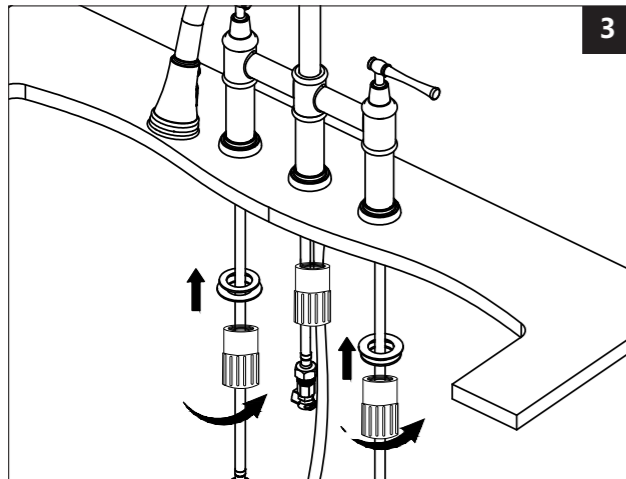
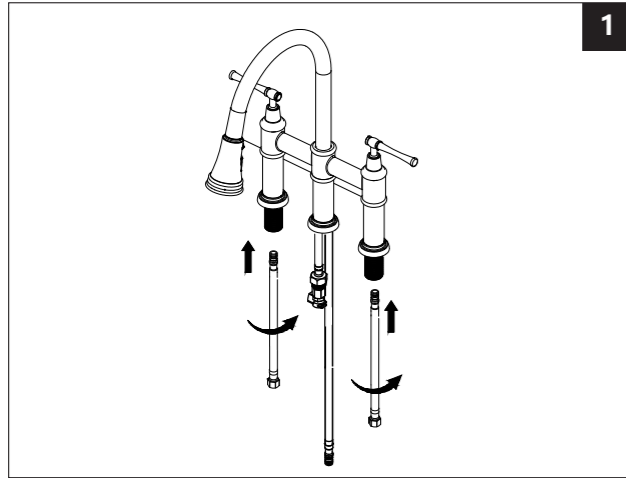
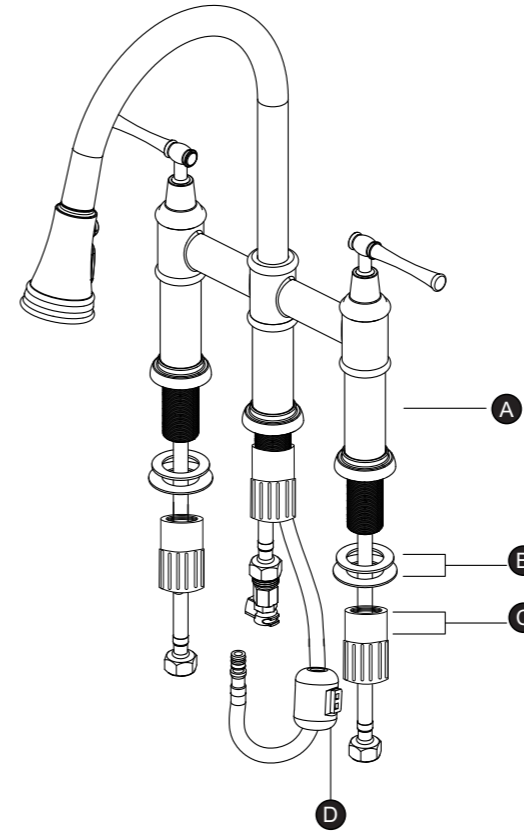


INSTALLATION STEPS



PARTS LIST



No.	Description
A	Faucet Body
B	Rubber & Metal Washer
C	Mounting Nut
D	Gravity Ball

BRIDGE KITCHEN FAUCET

Installation instruction



MB/BN/BG/CH/ORB

CARE INSTRUCTIONS

Rinse the product with clear water. Dry the product with a soft cloth.

DO NOT:

Use abrasive cleansers, cloths, or paper towels. Use any cleaning agents containing acid, polish, wax, alcohol, ammonia, bleach, solvent or any other corrosive or harsh chemical cleansers.

RECOMMENDED TOOLS

