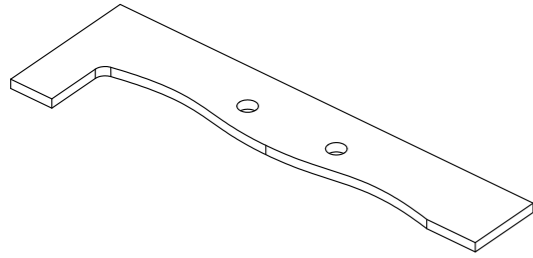


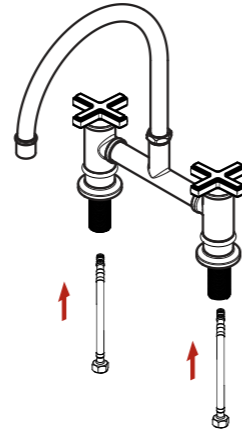
## INSTALLATION STEPS

1

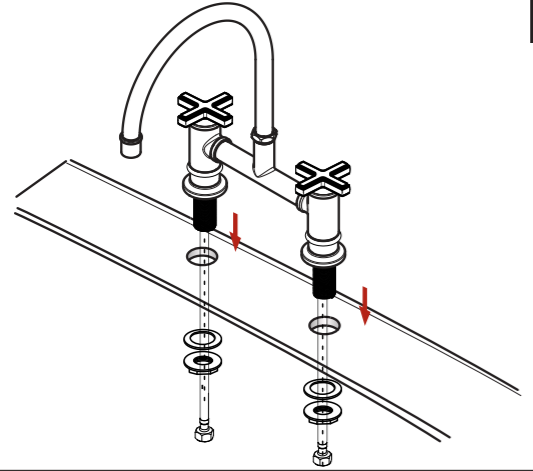


Drill 2 holes into the countertop for the faucet body.

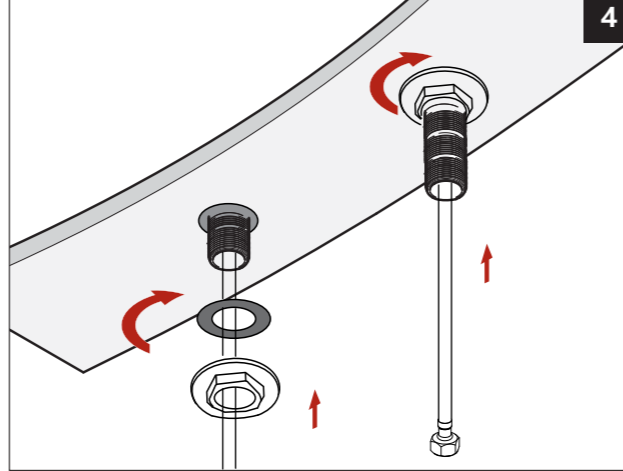
2



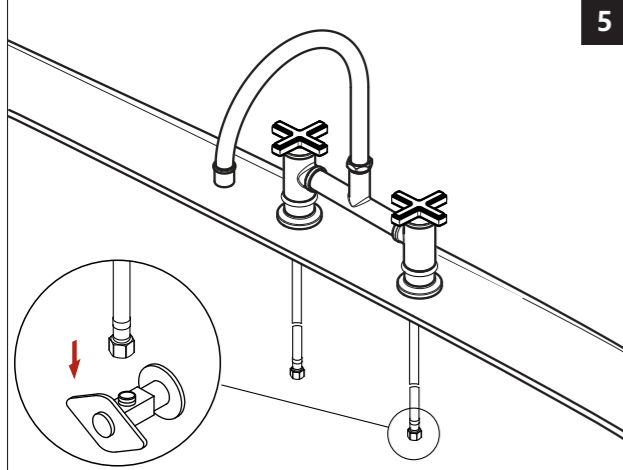
3



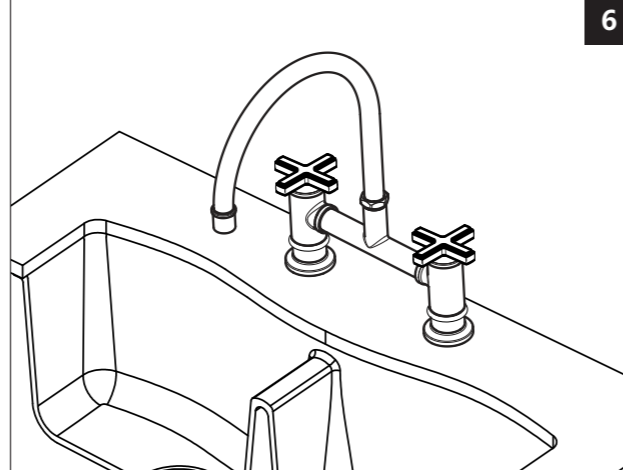
4



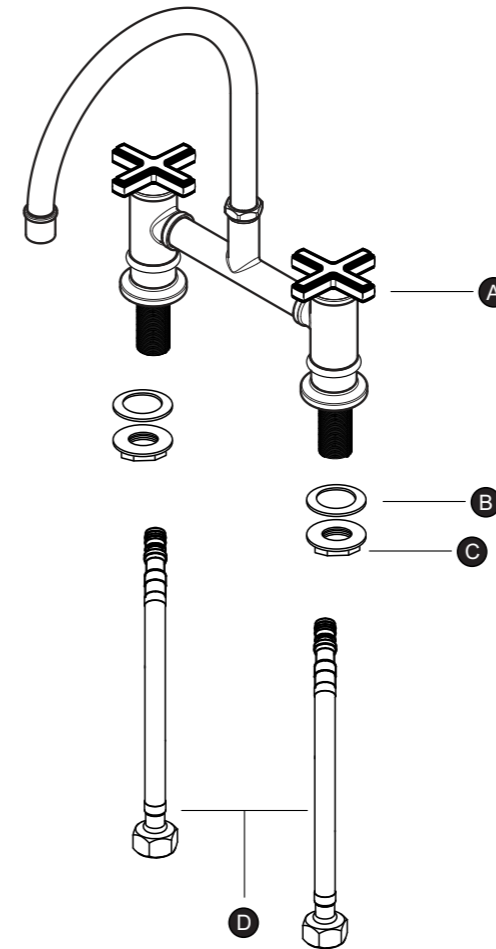
5



6



## PARTS LIST



No.	Description
A	Faucet Body
B	Rubber Washer
C	Mounting Nut
D	Cold / hot supply line

A

Faucet Body

B

Rubber Washer

C

Mounting Nut

D

Cold / hot supply line

## BRIDGE KITCHEN FAUCET

Installation instruction



MB/BN/BG/CH/ORB

### CARE INSTRUCTIONS

Rinse the product with clear water. Dry the product with a soft cloth.

### DO NOT:

Use abrasive cleansers, cloths, or paper towels. Use any cleaning agents containing acid, polish, wax, alcohol, ammonia, bleach, solvent or any other corrosive or harsh chemical cleansers.

### RECOMMENDED TOOLS

Plumber's putty



Thread seal tape



Included

