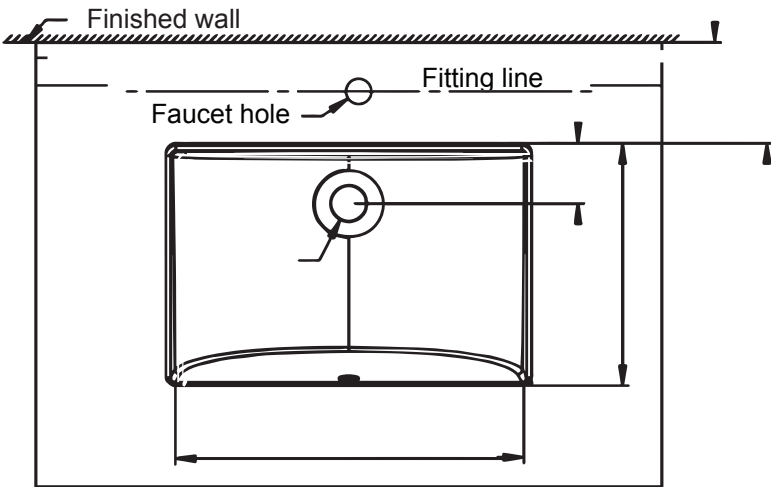


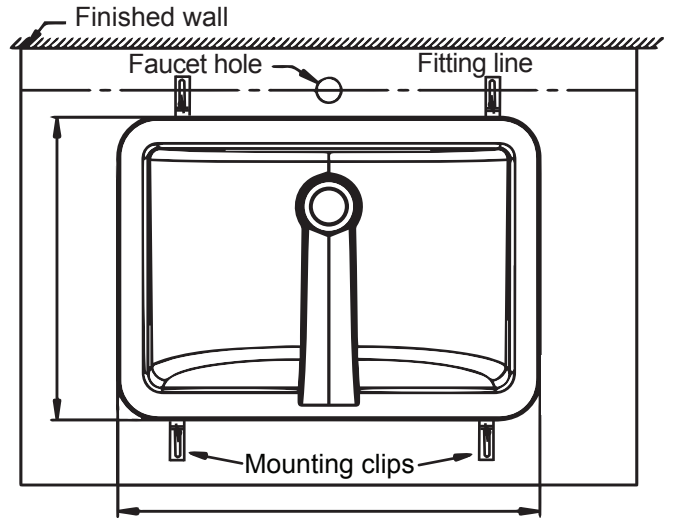
Pre-Installation (continued)

ROUGHING-IN DIMENSIONS

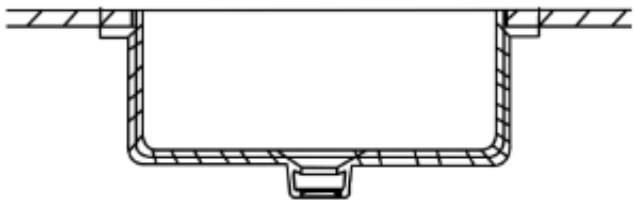
TOP VIEW



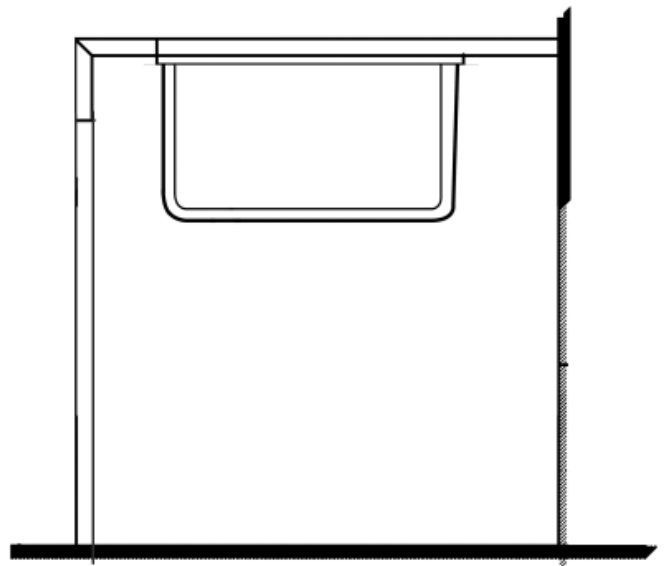
BOTTOM VIEW



FRONT VIEW



SIDE VIEW



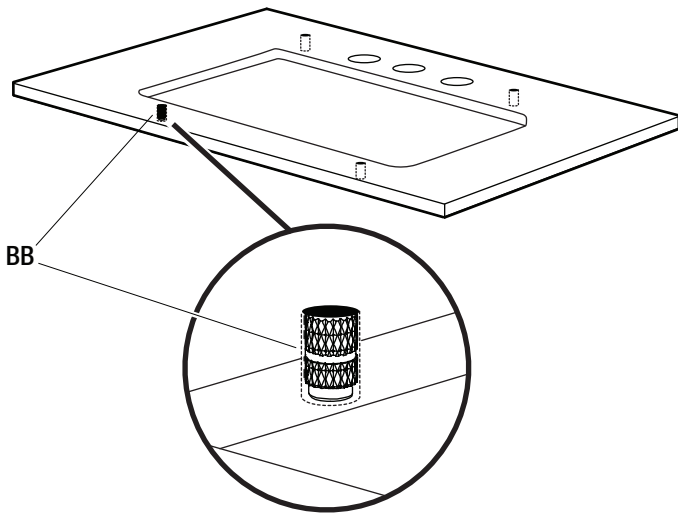
Installation

1 Installing the anchors



NOTE: It is recommended this be done by a professional.

- Using the template (B) as a guide, mark the four hole locations for the mounting hardware on the countertop.
- Using a 5/16 in. diamond bit, drill a 1/2 in. deep hole in each location.
- Clean the holes and apply quick set epoxy.
- Place one threaded knurl (BB) into each hole, and allow to cure for the amount of time required according to the epoxy manufacturer's directions.

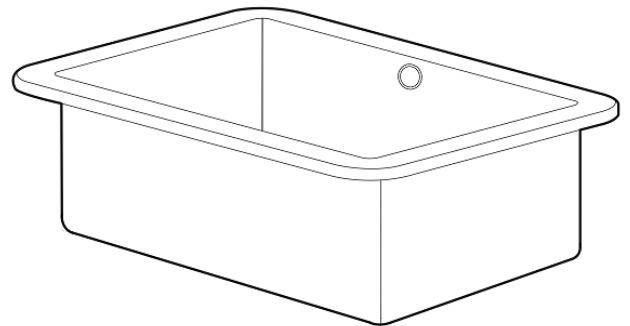


2 Applying the sealant

- Make sure the surface to be sealed is clean, dry, soap free, oil free, and grease free.
- Apply a continuous bead of quality sealant around the top side of the sink (A) rim near the edge.



NOTE: It is recommended to practice the proper positioning two or three times before applying sealant.



A

3 Mounting the sink

- With the countertop positioned upside-down, center the sink (A) over the cutout.
- Firmly press the sink (A) onto the countertop, and immediately wipe off excess sealant.
- Attach the undermount clips (AA) to the threaded knurl (BB) in the countertop using the machine screws (CC) and washers (DD) to hold sink (A) in place.
- Allow the sealant to set for 30 minutes before proceeding.
- Flip the countertop right-side up, and install it onto the cabinet.

