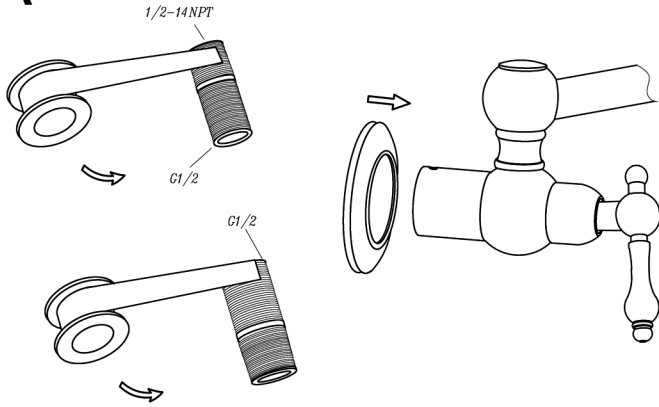


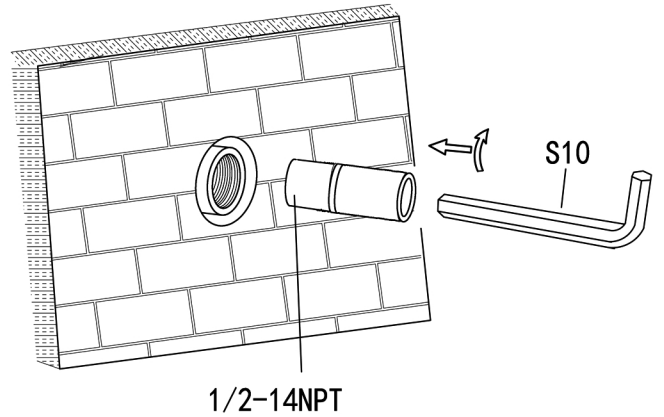
Faucet Installation

A



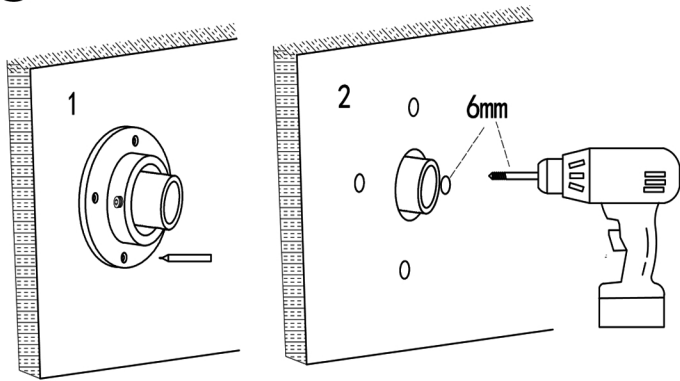
1. The thread which connecting the faucet to the pipe should be twined with Teflon tape to prevent water leakage.

B



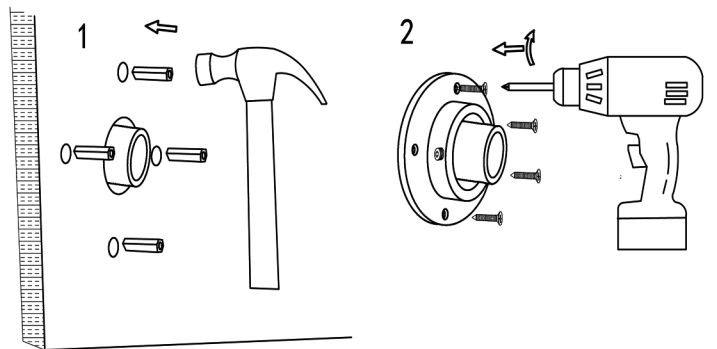
2. Fix the faucet body to the reserved water pipe with 1/2-14NPT thread in the wall.

C



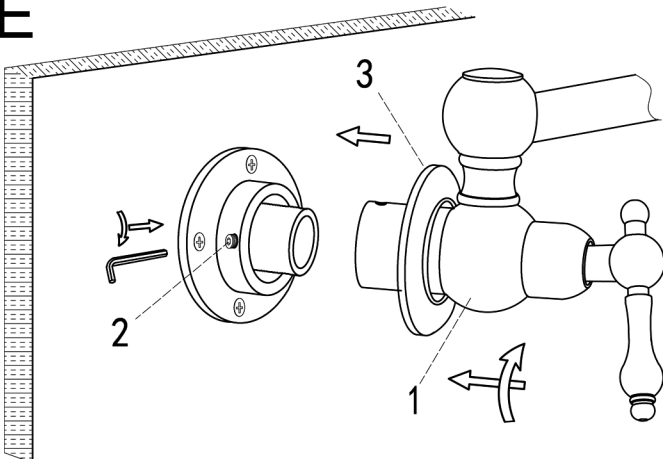
3. Cover the base on the inlet pipe and mark the four screw holes, then drill four holes in the wall to fix the screws.

D



4. Put the cover on the basement

E



5. The decorative cover needs to be close to the wall, and the outlet is straight down after correct installation like the above figure.

F

