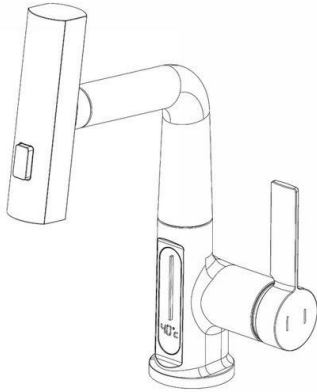


Basin Mixer Fast Installation Instruction

Single-lever basin mixer

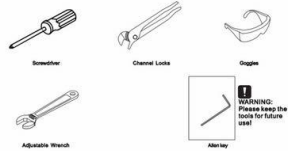


Installation Condition

1. Refer to the 《Standard Part List》 when you open package, check all parts available.
2. Ensure basin you buy is matching with the mixer's size.
3. Do not disassemble mixer body by yourself.
4. Connect inlet hoses to supply stopper. Left hose to hot water supply, and right hose to cold water supply.
5. Determine inlet pipes and supply stopper have been installed and cleaned, also ensure no impurities in pipeline.
6. When finished installation, check all joints and connections for leaks.
7. Water pressure shall be: 0.05Mpa≤Water Pressure≤0.75Mpa. (Include cold water pressure)



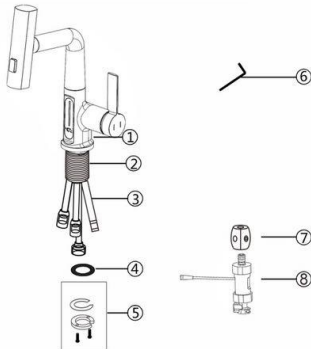
RECOMMENDED TOOLS



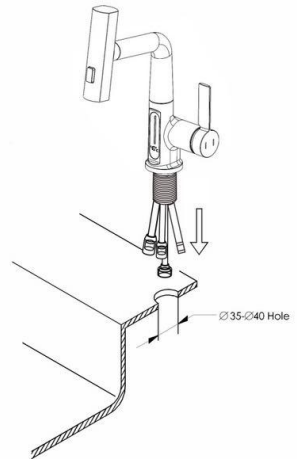
- Attention:**
for easy installation, you will need:
1. To read all the installation instruction completely before beginning.
 2. To read all the warning, attention and maintenance information.
 3. To purchase the proper supply lines.

Standard Part List

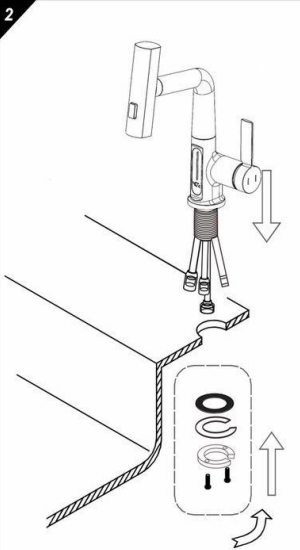
NO.	Part Name	Quantity
1	Faucet Body	1
2	Installation Base	1
3	Inlet Hose	1
4	Gasket	1
5	Fastener	1
6	sw=2.5 Hexagon wrench	1
7	Gravity sphere	1
8	electric machinery	1



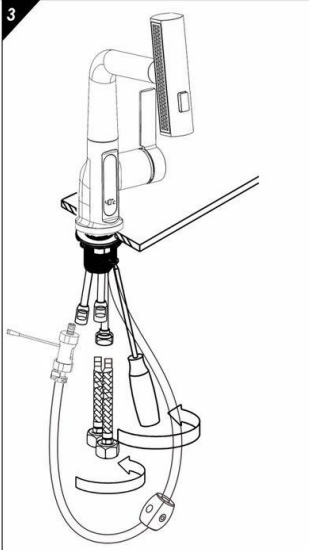
Installation Step



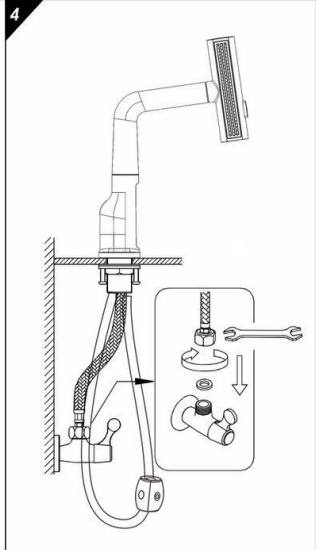
1. Before installation, ensure there are about one 35-40 dia. hole on the basin, Remove the fixation set, insert main body through the hole, insert O-Ring through the faucet bottom.



2. According to the remove step screw the fixation set from the basin bottom to faucet installation base.



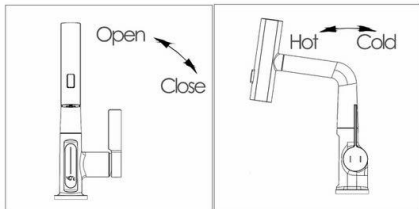
3. Use hand screw the locknut, then use cross screwdriver to screw the cross screw on the locknut,strengthen the fastness.



4. Connect two inlet hoses on the faucet to angle valve. Connect red inlet hose to hot water supply, and blue inlet hose to cold water supply.

Application Instruction

1. Turn on water supply, check all joints and connections for leaks.
2. Handle turn right as open,the angle is bigger,the flux is bigger; contrarily,the angle is smaller,the flux is smaller,until close.
3. The handle turn right to open, deasil to adjust,the hot water supply increase; Anilockwise to adjust,the cold water supply increase.



Care and Maintenance

In order to maintain the holder brightly and cleanly, please clean it by frequently:

- Wash holder with clean water, and wipe with soft cotton cloth.
- Avoid using cleaning powder, harsh cleaning chemicals, brushes, and cloth with coarse surface to prevent scratching and corrosion.
- Do not use acidic cleaning agents for washing the faucet as it may cause corrosion on the surface of faucet. Rinse off with water immediately if the faucet is in contact with harmful acidic agents.

If must carry on the massive cleaning, please obey the following procedure:

1. Use clear water and the soft cloth, eliminate the superficial dirt and the filthy membrane as far as possible;
2. Uses the any following cleanser to remove the superficial dirt and the filthy membrane:
 - Temperate liquid cleanser.
 - The colorless glass cleaner, does not have the powdery cleanser which the abrasive action and can dissolve completely (according to instruction mix).
 - Polish liquid which does not abrasive action.
3. After cleanly, please remove the complete cleansing agent with the clear water, and wipes with soft cotton fabric.

