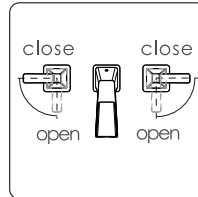
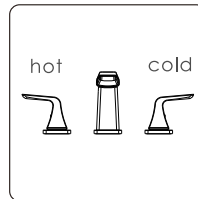


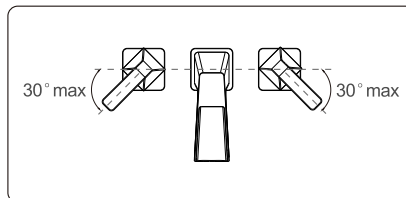
Application Instruction

1. Gradually pull the handle, it will be more advantageous to protect the cartridge

2. Contrarotate the left handle is for hot water, the greater angle you open, the larger flowrate you get. Conversely the smaller angle you open, the little flowrate you get till turn off. Clockwise rotation the right handle is for cold water, the greater angle you open, the larger flowrate you get. Conversely the smaller angle you open, the little flowrate you get till turn off.

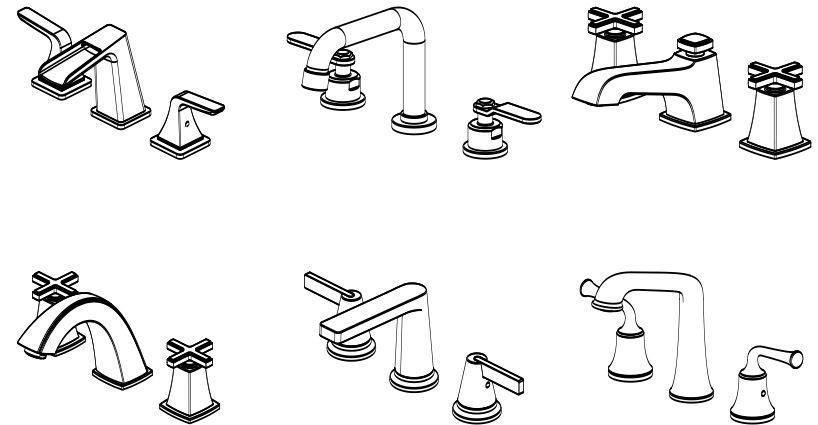


Installation Condition

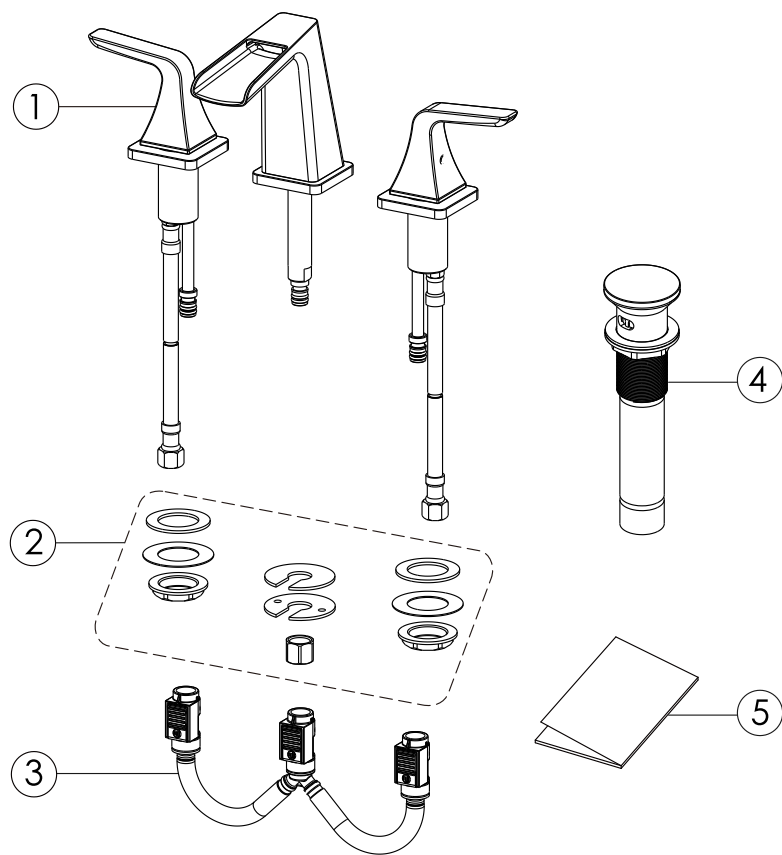


Notice: In order to have the perfect condition of the water flow, please turn both handles to 30 degree angle slowly so that the air inside the tubes can be clean when you use this product at the 1st time.

Two Handles Basin Mixer Installation Instruction



Standard Part List



NO.	Part Name	Quantity
1	Body Assy	1
2	Fitting Assy	1
3	Hose	1
4	Pop-up	1
5	Instruction	1

Installation Step

