

BATHROOM FAUCET

Installation instruction

MB/BN/BG/CH/ORB



CARE INSTRUCTIONS

Rinse the product with clear water. Dry the product with a soft cloth.

DO NOT:

Use abrasive cleansers, cloths, or paper towels. Use any cleaning agents containing acid, polish, wax, alcohol, ammonia, bleach, solvent or any other corrosive or harsh chemical cleansers.

RECOMMENDED TOOLS

Plumber's putty



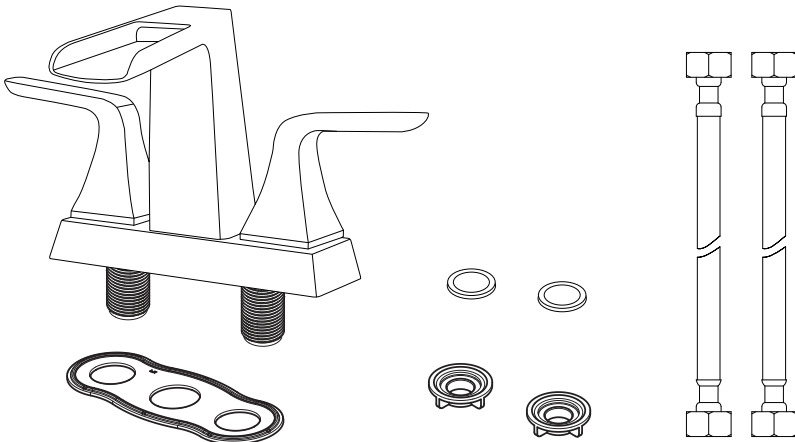
Thread seal tape



Included



PRODUCT DRAWING



INSTALLATION STEPS

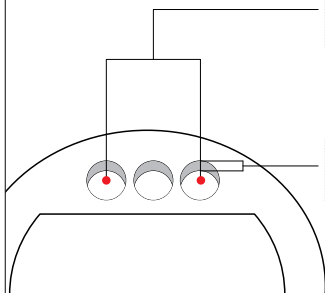
BEFORE YOU BEGIN

Fixed width is: 3.94"

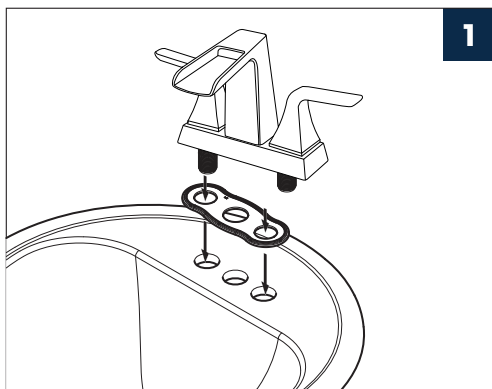
Width from the center of the first hole to the center of the second hole.

1.38" / 35mm

Max. countertop thickness

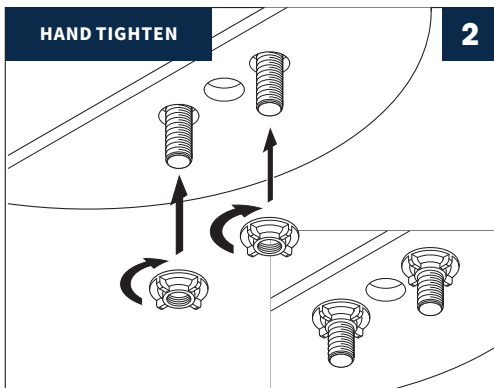


1



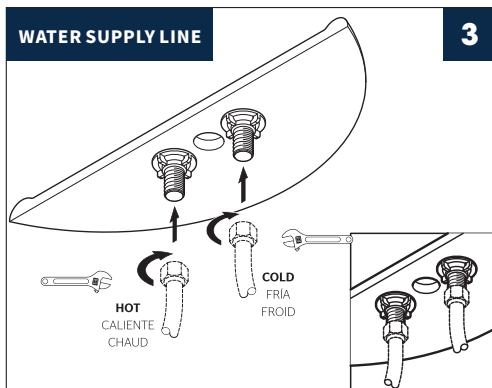
HAND TIGHTEN

2



WATER SUPPLY LINE

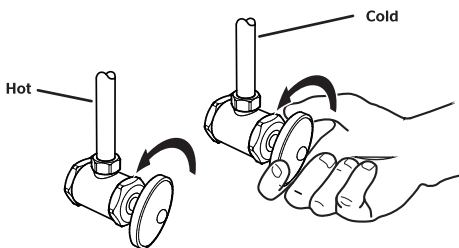
3



TURN ON WATER SUPPLY

4

Check for leaks above and below the sink.



CONFIRM PROPER INSTALLATION

5

Open Slowly Allow hot & cold water to run for at least 15 seconds each.

