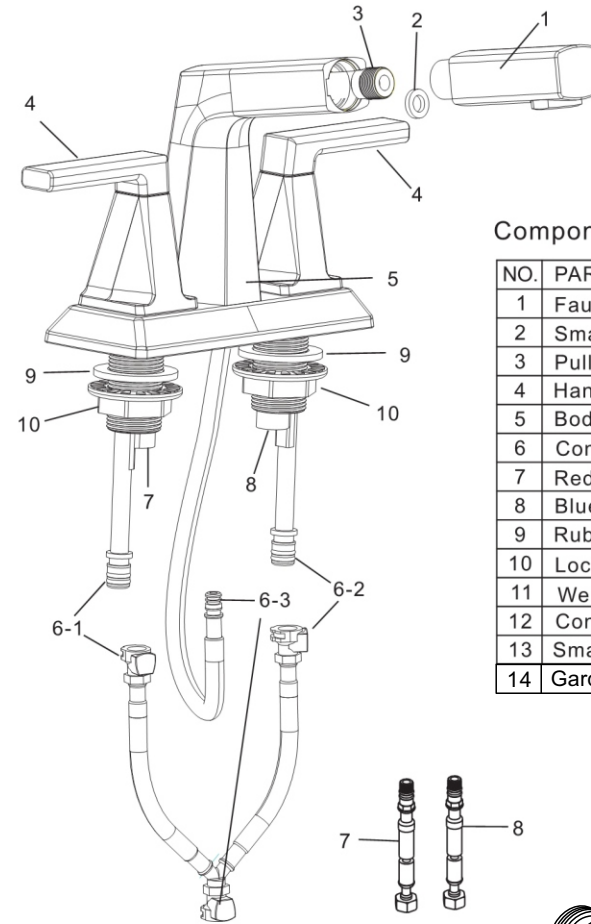
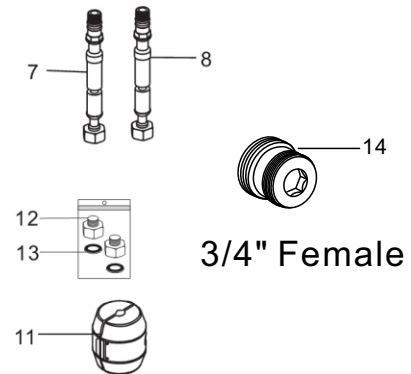


4" Centerset Bathroom & Laundry Faucet



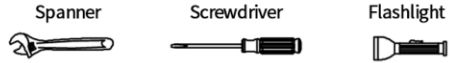
Component Parts List

NO.	PART NAME
1	Faucet spray head
2	Small washer
3	Pull out hose
4	Handle
5	Body
6	Connection
7	Red hot hose
8	Blue cold hose
9	Rubber washer
10	Lock nut
11	Weight
12	Connector
13	Small washer
14	Garden Hose Adapter



3/4" Female

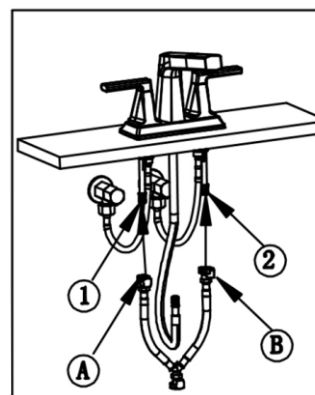
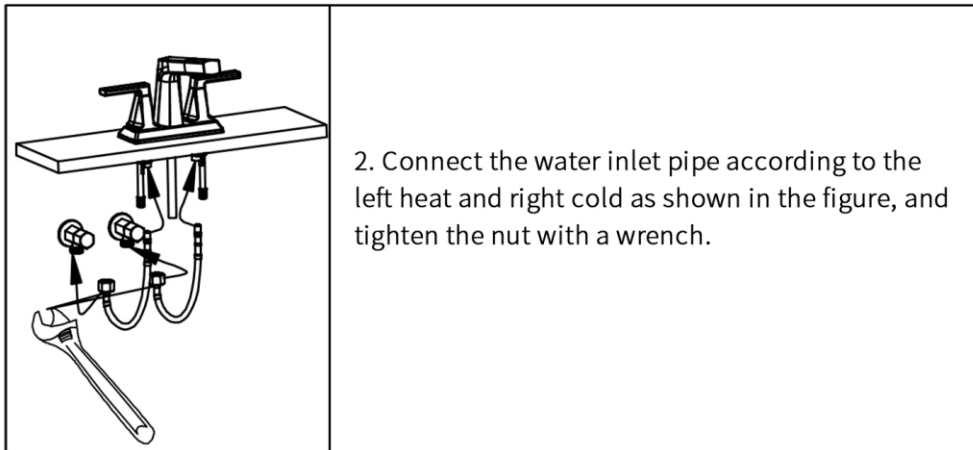
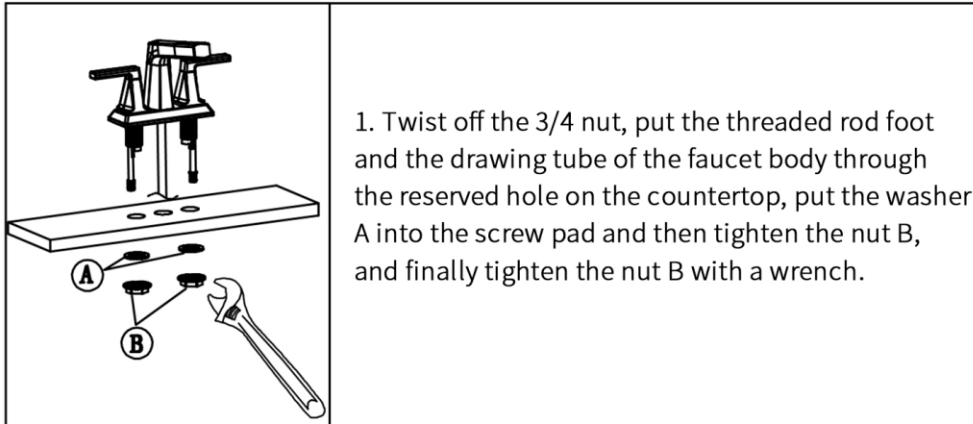
Required Tools



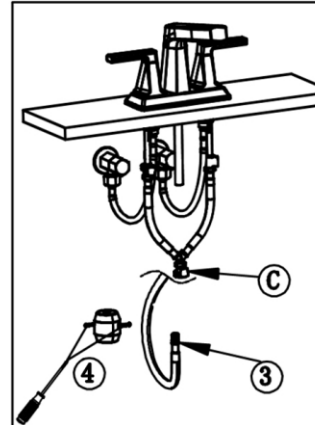
⚠ Points for attention before installation

- Before installing the faucet, be sure to remove impurities and sludge in the pre-buried cold and hot water pipes to avoid clogging and affecting the water outlet function.
- The working water pressure of the faucet is 0.5-5kgf/cm²
- If the picture or text description in this installation manual does not match the actual product, please refer to the actual product!

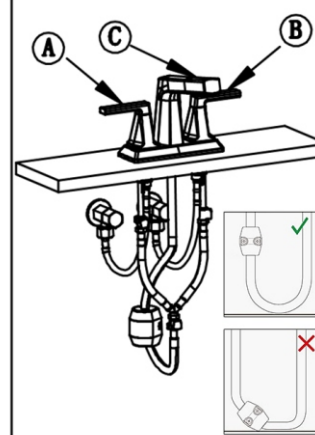
Installation Steps



3. Insert the bifurcated ends A、B of the quick connector into the faucet ① and ② to connect them tightly.

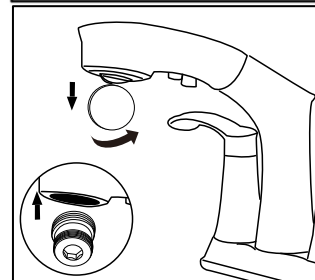


4. Insert the end ③ of the drawing tube into the end C of the three-prong quick connector, and twist off the two left and right screws of the gravity ball ④. After separating, buckle gravity ball on the drawing tube, and turn the screw to tighten.



5. Turn on the A and B handle to observe all the interfaces, make sure that there is no dripping, and pull C back and forth to make sure that there is no blockage.

Notice: The gravity ball is installed on the side close to the sprayer, and its installation position and the drawing tube will not touch the bottom of the cabinet during use.



Use coin to remove aerator, then install garden hose adapter to connect garden hose. Replace the aerator after using the garden hose to save water.