

SHOWER SYSTEM FAUCET

Installation instruction



MB/BN/BG/CH/ORB

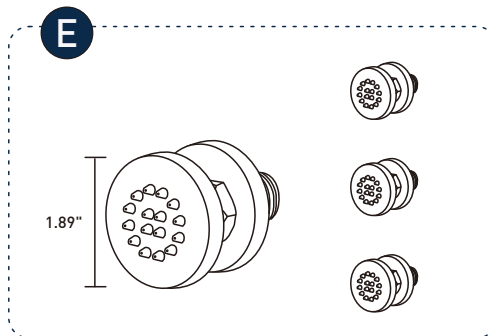
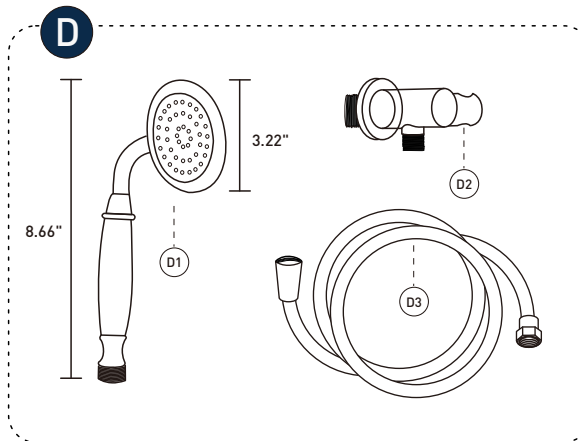
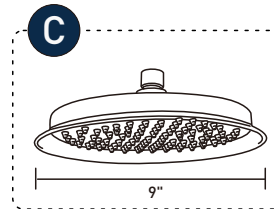
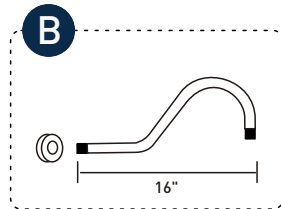
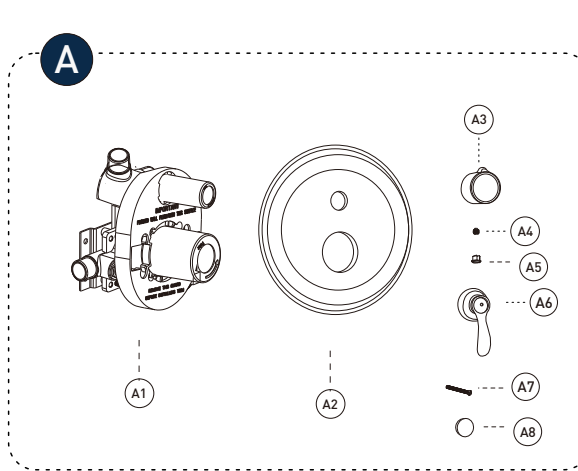
CARE INSTRUCTIONS

Rinse the product with clear water. Dry the product with a soft cloth.

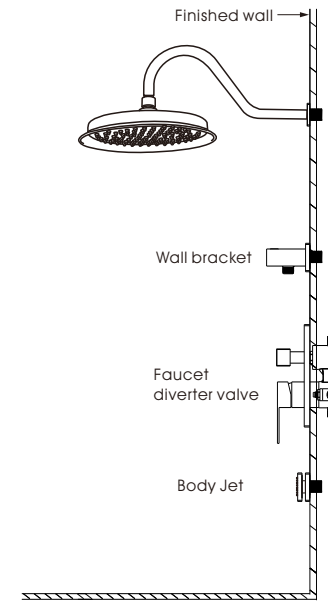
DO NOT:

Use abrasive cleansers, cloths, or paper towels. Use any cleaning agents containing acid, polish, wax, alcohol, ammonia, bleach, solvent or any other corrosive or harsh chemical cleansers.

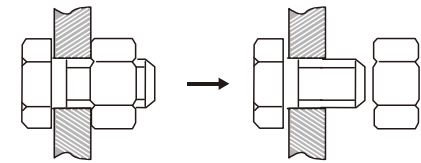
No.	Description
A	Pressure balanced diverter valve
A1	shower valve body
A2	Shower Valve Panel with sealoint
A3	Diverter knob kit
A4	Allen screw
A5	Trim cap
A6	Shower valve handle
A7	Allen screw
A8	Trim cap
B	Shower arm
C	Shower head
D	Handheld Shower Kit with Flexible Hose
D-1	Handheld Shower
D-2	Shower elbow
D-3	Shower hose
E	Body Spray



PRODUCT DRAWING

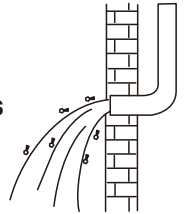


No disassembling **X**



This product has been inspected and debugged by the factory to the best condition. Please do not disassemble and assemble it yourself.

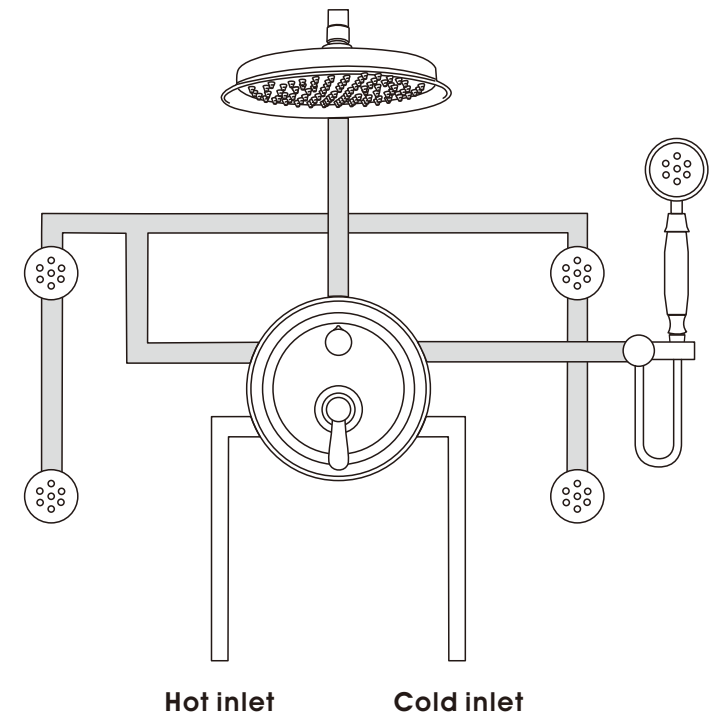
Cleaning pipes



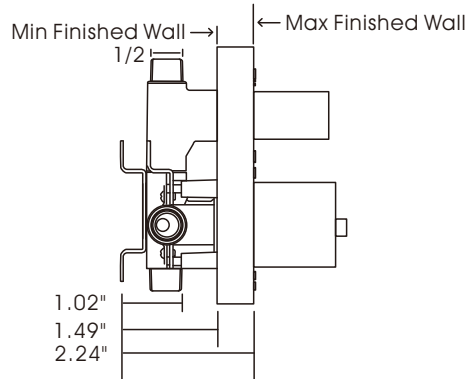
Before installing the faucet, please be sure to remove sundries and sludge from the water pipe to prevent sundries from blocking the faucet.

Pipeline Construction

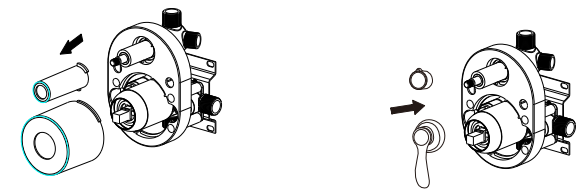
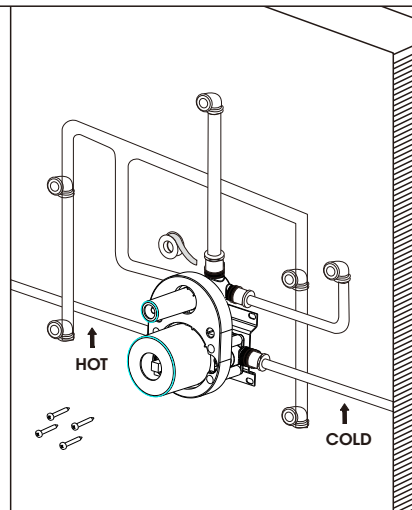
○ 1/2"



RECOMMENDED MOUNTING DIMENSIONS



Connect the pipes into the valve body; Put valve body in the hole and fix it by the tapping screw, then connect the water supply hoses.

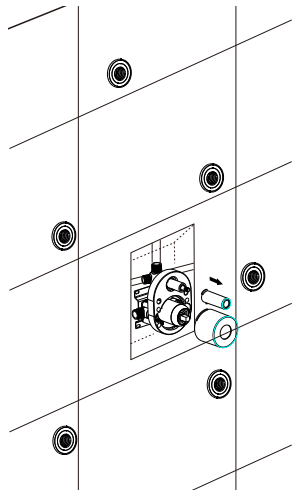


Remove the black cover plate. Install the handle and Diverter knob. Provide water from water inlet. And then test the water pipes leaking or not as below:

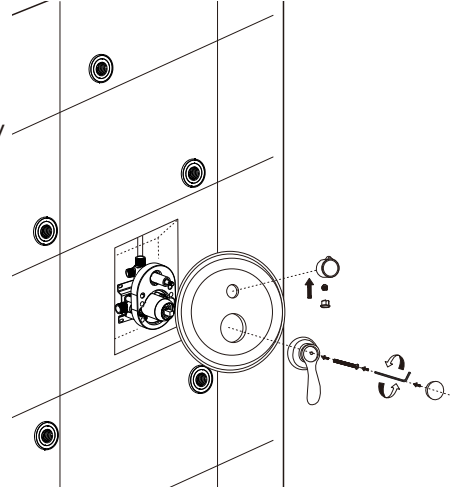
1. Test 3 min at normal temperatures and pressures when the ceramic cartridge is closed.
2. Test 3 min at normal temperatures and pressures when the ceramic cartridge is open.

Proceed to next step if no leaking after the testing.

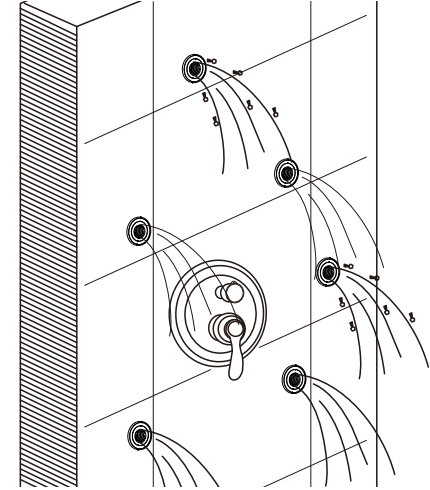
Remove handle and Diverter knob, put on cover plate after water test is ok. Backfill the wall, tile on concrete and then remove the black cover plate when finished.



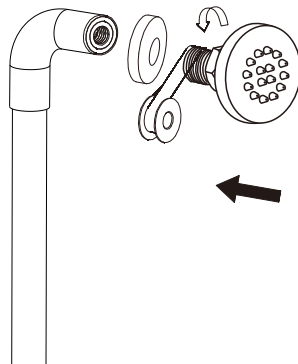
Feed the valve body with panel, handle and diverter, then use the allen key and screw to secure handle and diverter.



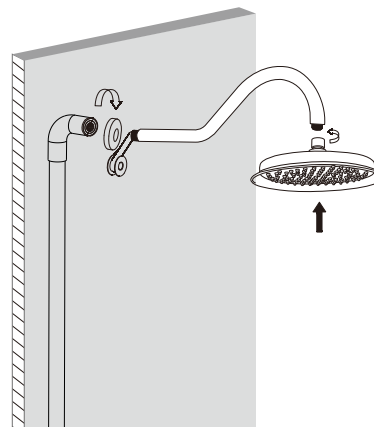
Take off hand shower, up and down plugs, turn on the cartridge to wash out the dirt in the water tube.



Attach the cover plate to body jets. Apply Teflon tane to threaded tail of the body jets. Use a wrench to screw the jet heads clockwise into the body spray outlets.



Set the decorative Cup on the shower arm. Roll the teflon tape on the thread. Tighten the shower arm clockwise on the water outlet hole of the shower arm. Then put the overhead shower on the shower arm.



Roll the teflon tape on the thread of the shower seat. Tighten the shower seat clockwise on the outlet hole of the outlet socket. Connect the shower, tube, and shower seat, finally insert on the shower seat.

