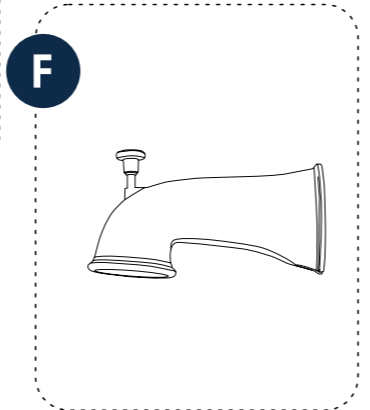
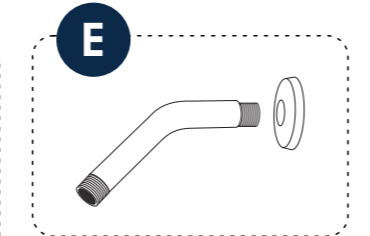
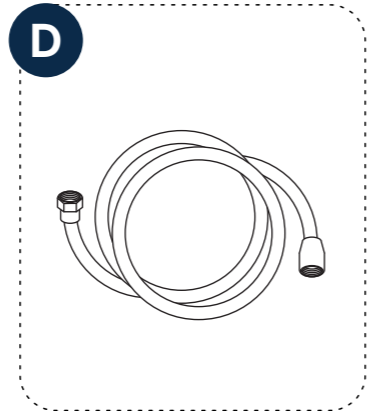
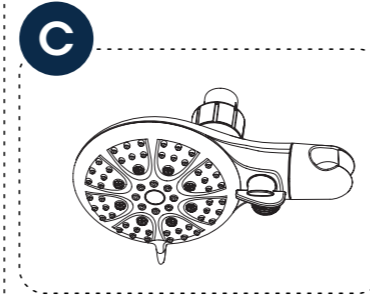
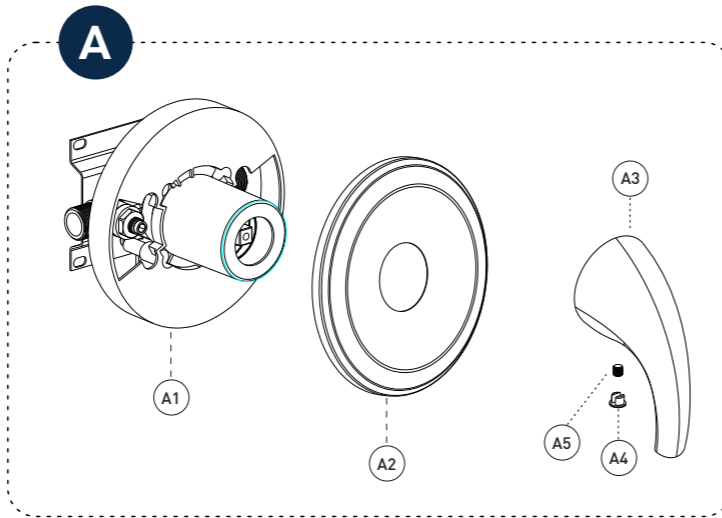
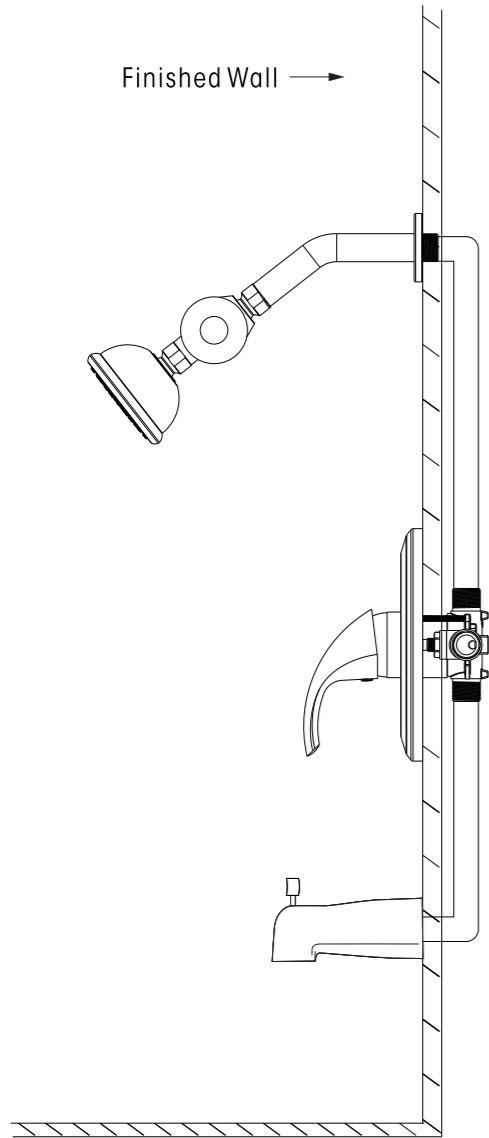


PRODUCT DRAWING



No.	Description				
A	Pressure balanced diverter				
A-1	Valve				
A-2	Face plate with sealjoint				
A-3	Diverter knob kit				
A-4	Trim cap				
A-5	Allen screw				
B	Hand shower				
C	Head shower				
D	Flexible hose				
E	Shower arm and flange kit				
F	Bathtub Spout				
Z	Accessories Package				
<table border="1"> <thead> <tr> <th>For Repair And Warranty (Spare Parts)</th> <th>For Installation (Spare Parts)</th> </tr> </thead> <tbody> <tr> <td> </td> <td> </td> </tr> </tbody> </table>		For Repair And Warranty (Spare Parts)	For Installation (Spare Parts)		
For Repair And Warranty (Spare Parts)	For Installation (Spare Parts)				

SHOWER SYSTEM FAUCET

Installation instruction



MB/BN/BG/CH/ORB

CARE INSTRUCTIONS

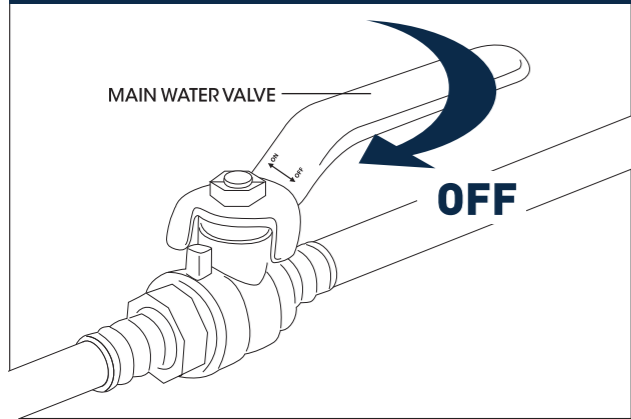
Rinse the product with clear water. Dry the product with a soft cloth.

DO NOT:

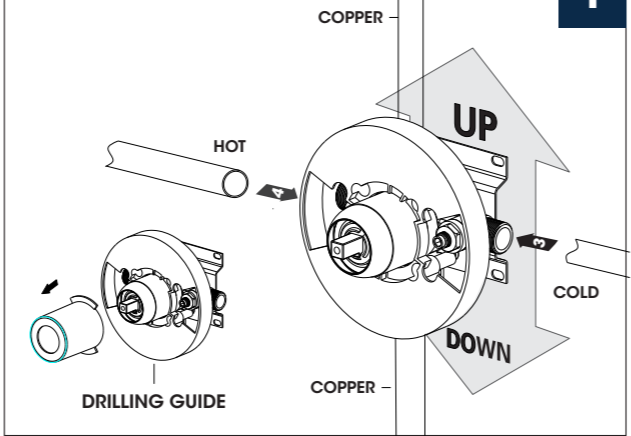
Use abrasive cleansers, cloths, or paper towels. Use any cleaning agents containing acid, polish, wax, alcohol, ammonia, bleach, solvent or any other corrosive or harsh chemical cleansers.

INSTALLATION STEPS

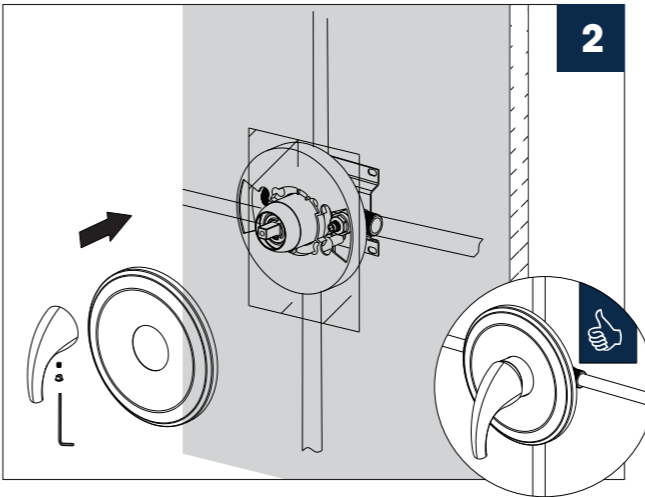
BEFORE YOU BEGIN



1

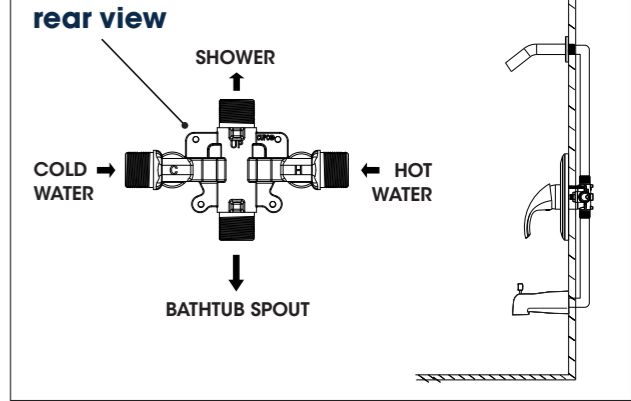


2

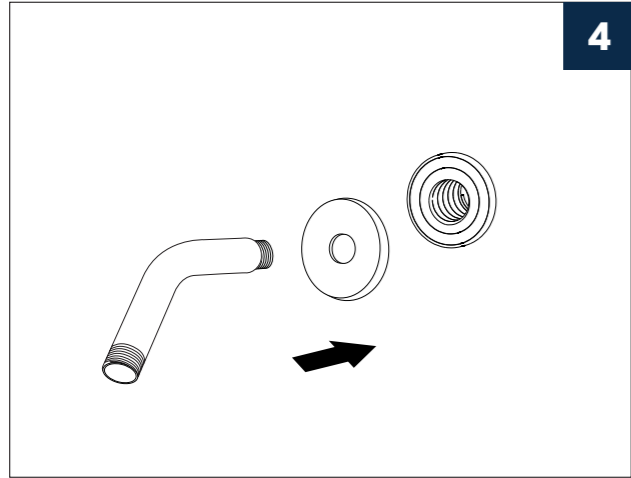


SHOWER+BATHTUB SPOUT

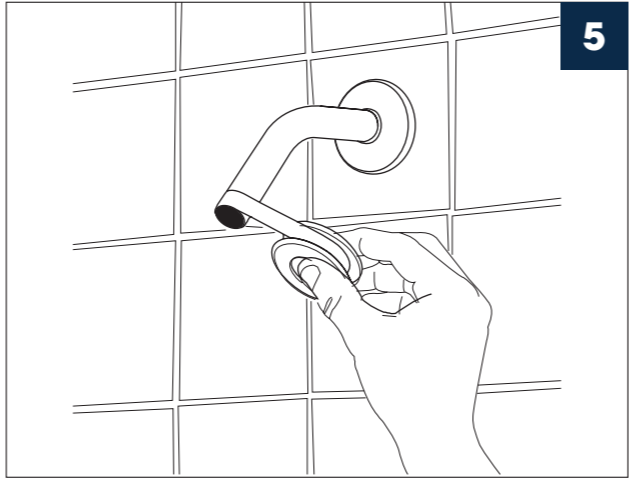
3



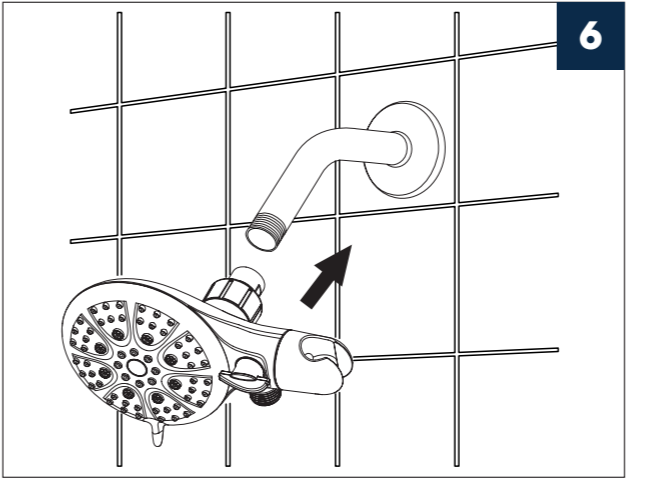
4



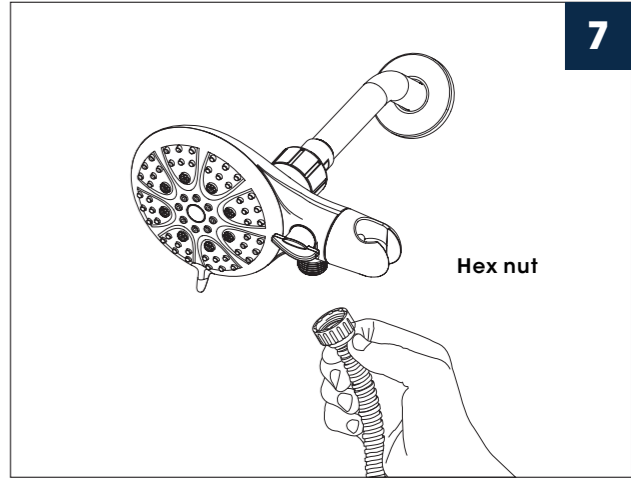
5



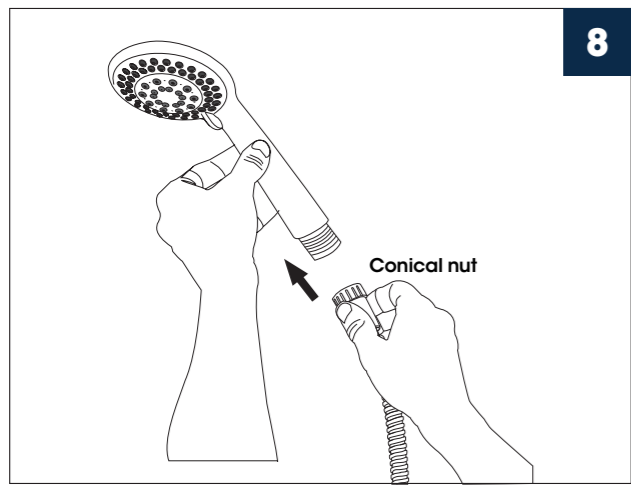
6



7



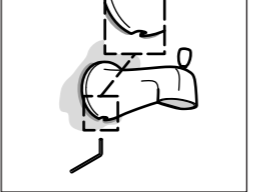
8



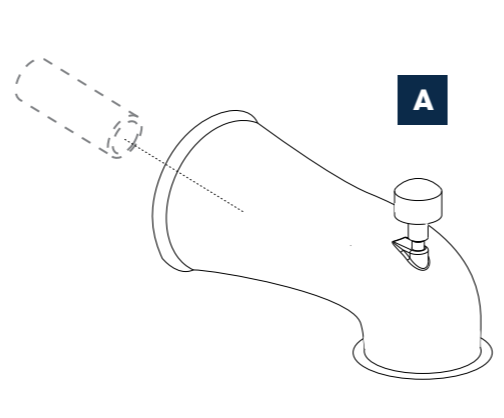
A-1



A-2

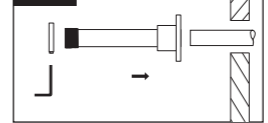


A

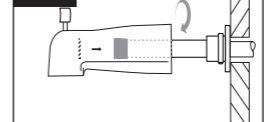


or

B-1



B-2



9

