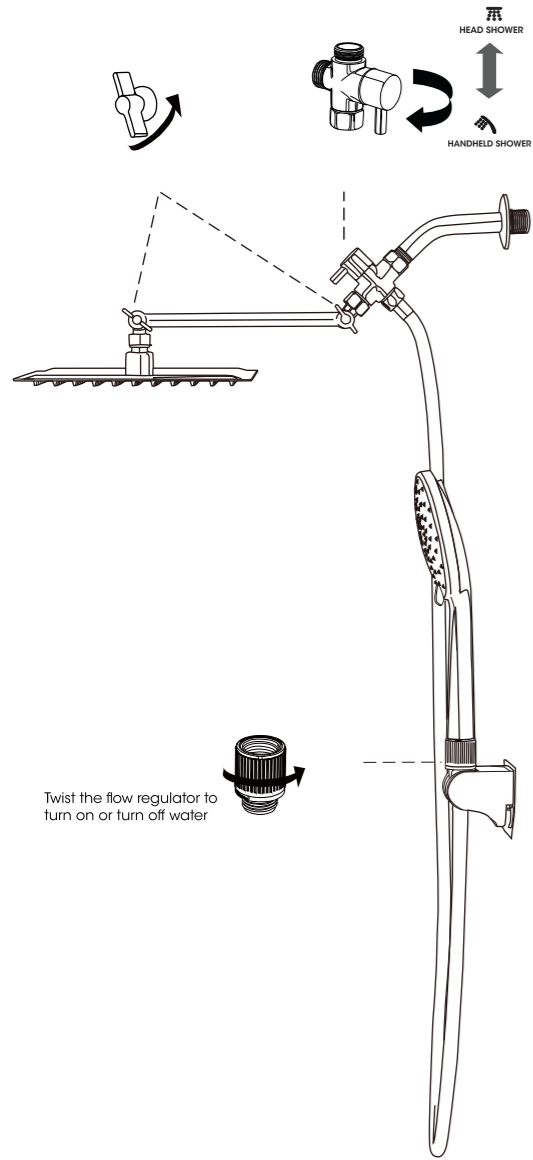
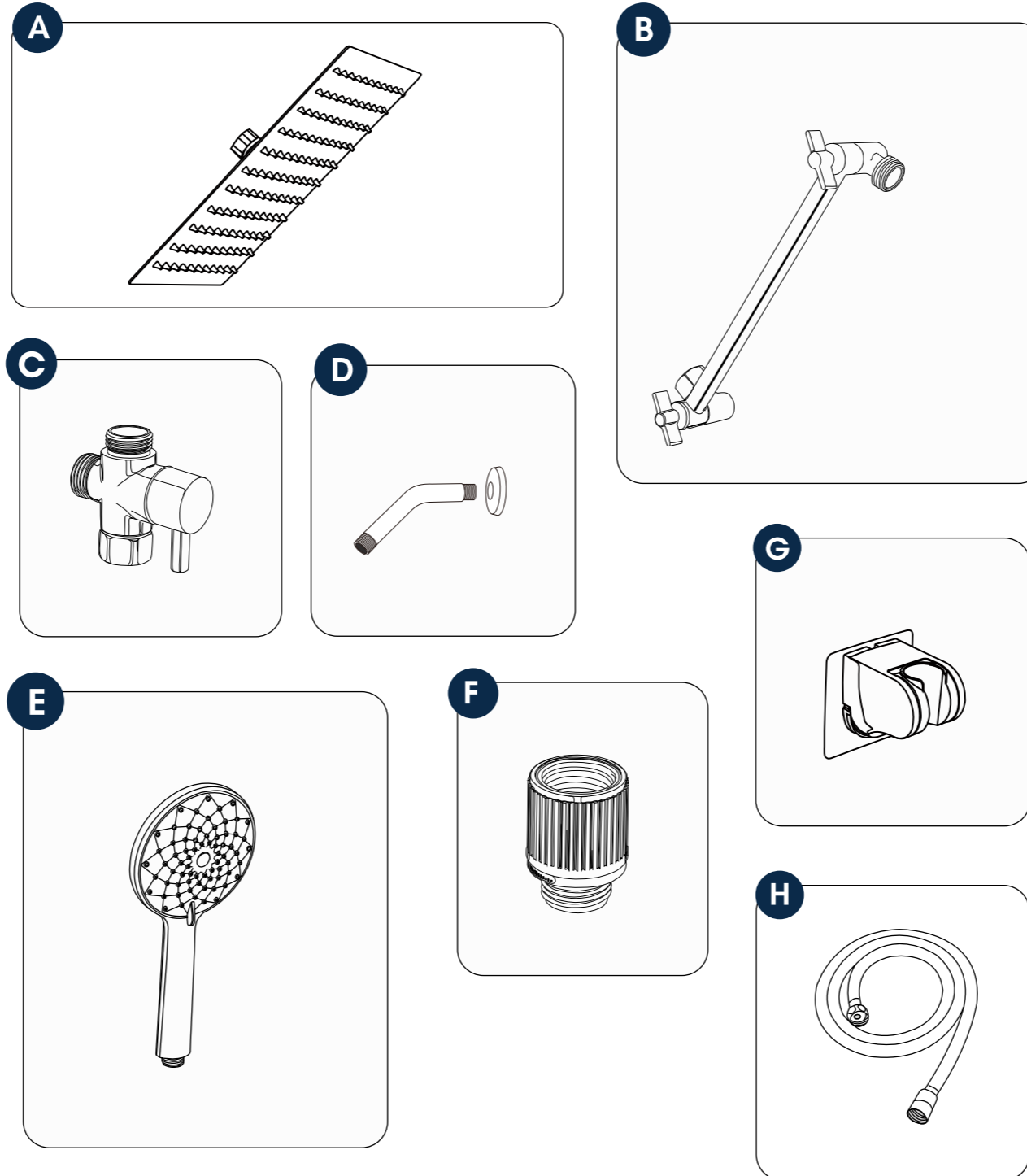


PRODUCT DRAWING



INSTALLATION STEPS



SHOWER HEAD AND HANDHELD COMBO

Installation instruction



No.	Description
A	Shower Head
B	Adjustable Extension Arm
C	3-Way Diverter
D	Shower Arm with Flange
E	Handheld Shower
F	Flow Regulator
G	Adhesive Bracket
H	Shower Hose

RECOMMENDED TOOLS



! IMPORTANT

We recommend using a professional plumber for all installation and repair. Please inform yourself about the Canadian plumbing code's regulations and your local municipality plumbing codes before installation. The Canadian plumbing code requires the installation of surge arresting devices to eliminate water hammering. Allow an adequate opening in order to easily access connections or other plumbing devices for maintenance or repair.

No control valve
MB/BN/BG/CH/ORB

CARE INSTRUCTIONS

Rinse the product with clear water. Dry the product with a soft cloth.

DO NOT:

Use abrasive cleansers, cloths, or paper towels. Use any cleaning agents containing acid, polish, wax, alcohol, ammonia, bleach, solvent or any other corrosive or harsh chemical cleansers.

INSTALLATION STEPS

