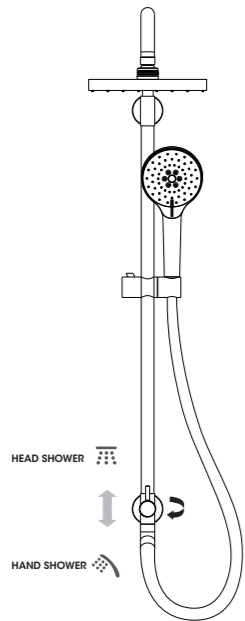


## PRODUCT DRAWING



## RECOMMENDED TOOLS

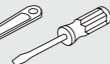
Plumber's putty



Thread seal tape

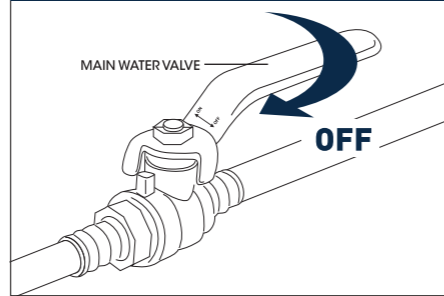


Included

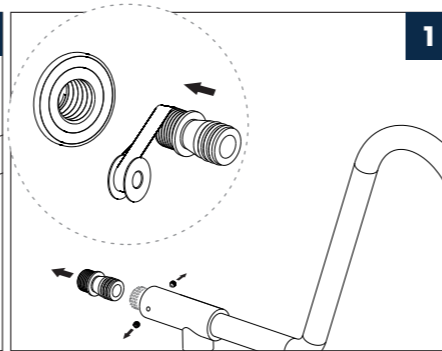


## INSTALLATION STEPS

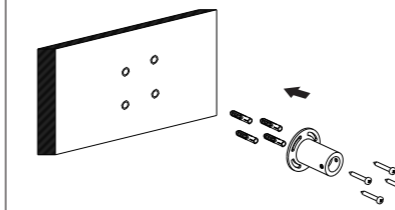
### BEFORE YOU BEGIN



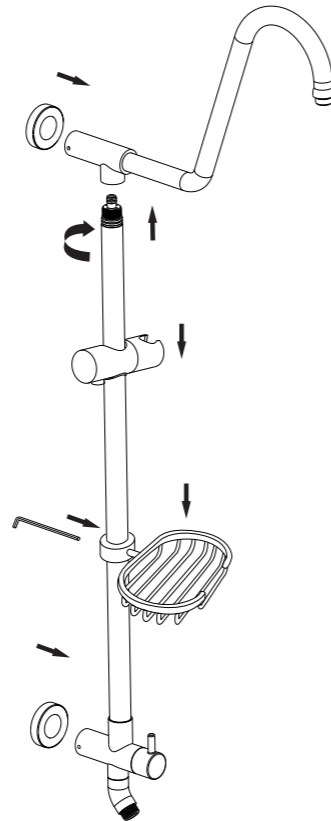
1



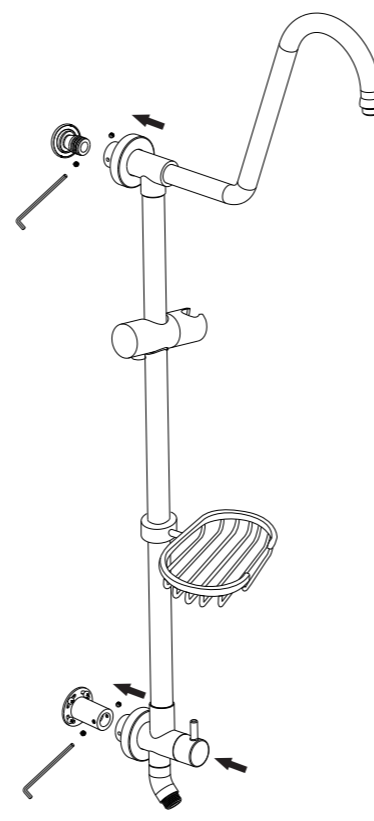
2



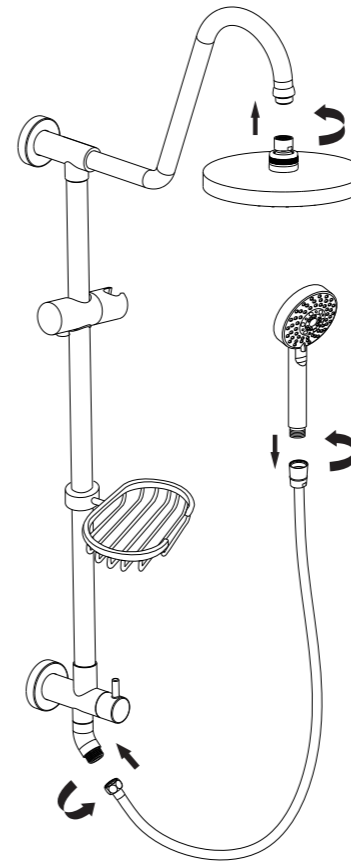
3



4



5



## SHOWER SYSTEM FAUCET

Installation instruction



\*No control valve\*  
MB/BN/BG/CH/ORB

### CARE INSTRUCTIONS

Rinse the product with clear water. Dry the product with a soft cloth.

### DO NOT:

Use abrasive cleansers, cloths, or paper towels. Use any cleaning agents containing acid, polish, wax, alcohol, ammonia, bleach, solvent or any other corrosive or harsh chemical cleansers.