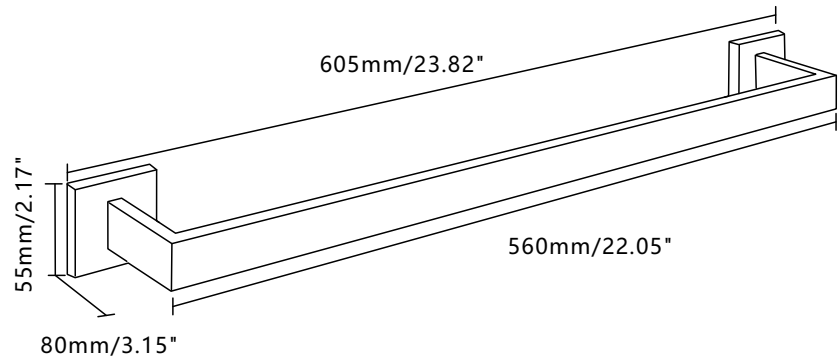
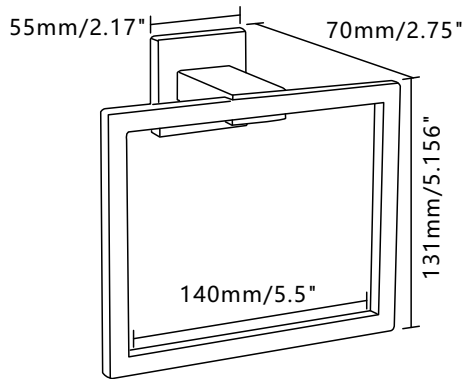
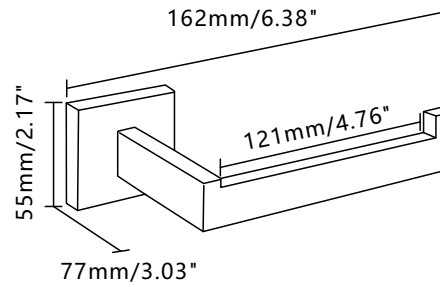
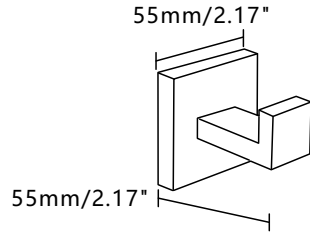


Dimensions Reference

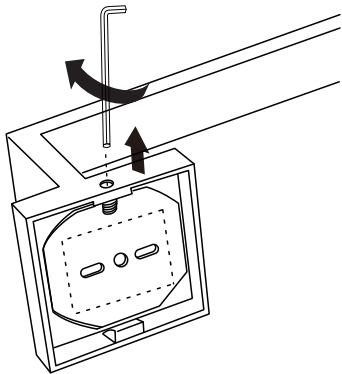


CLEANING CARE

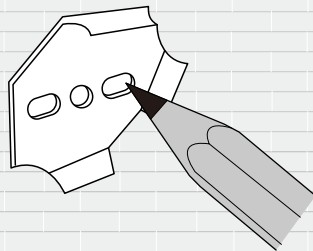
In order to keep the product surface bright, please keep offer or regularly to clean the product. Wash holder with clean water , and wipe with soft cotton cloth.
Avoid using cleaning power ,harsh cleaning chemicals ,brushes ,and cloth with coarse surface to prevent scrtching and corrosion.
Do not use acidic cleaning agents for washing the product as it may cause corrosion on the surfaceoffaucet in contact with harmful acidic agents.

INSTALLATION STEPS BATHROOM ACCESSORIES

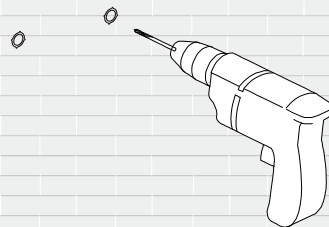
1 Unscrew hex nut to take off screw fixation seat.



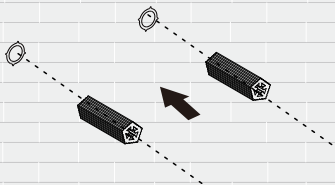
2 Mark screw fixation seat on position.



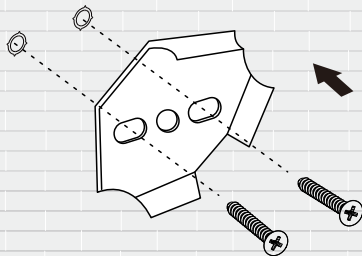
3 Drill 6mm holes on marked position.



4 Hammer screw anchor on wall.



5 Fix screw fixation seat by screws.



6 Insert hardware to screw fixation seat and fix it by hex screw, confirm it's stable.

