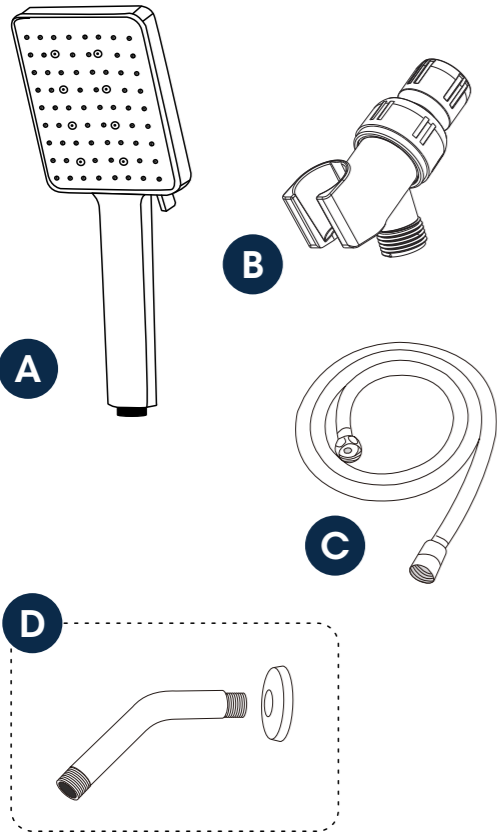
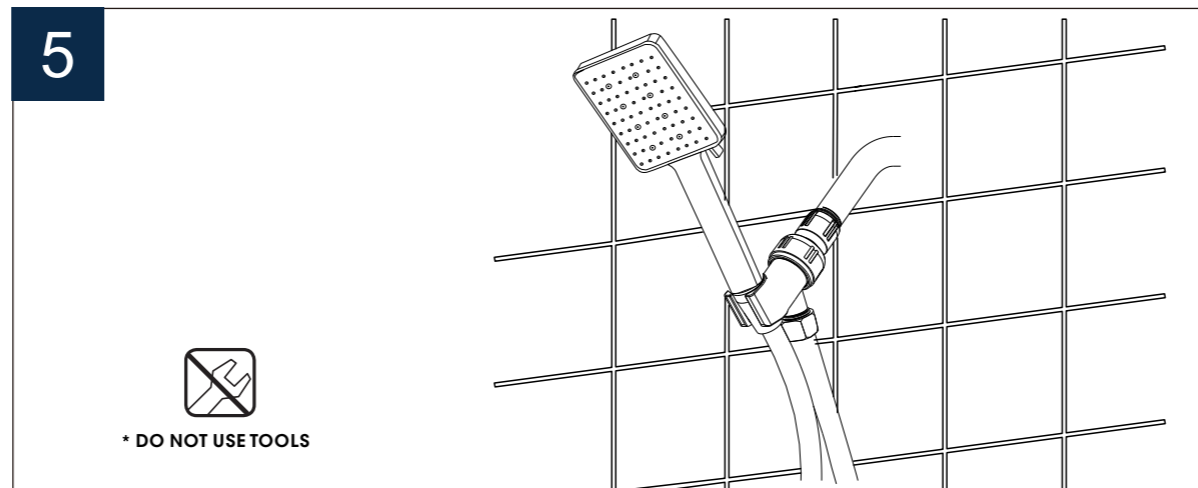
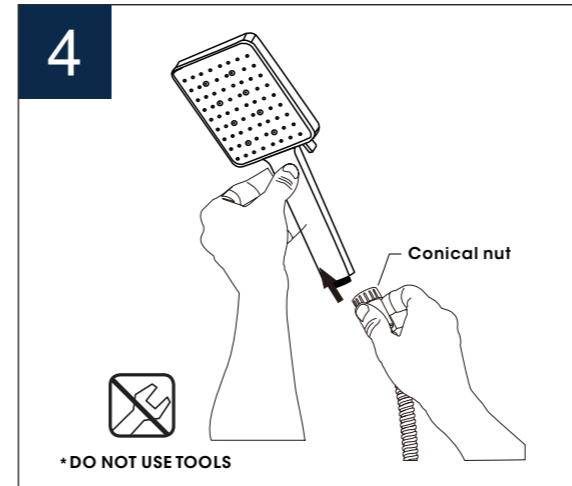
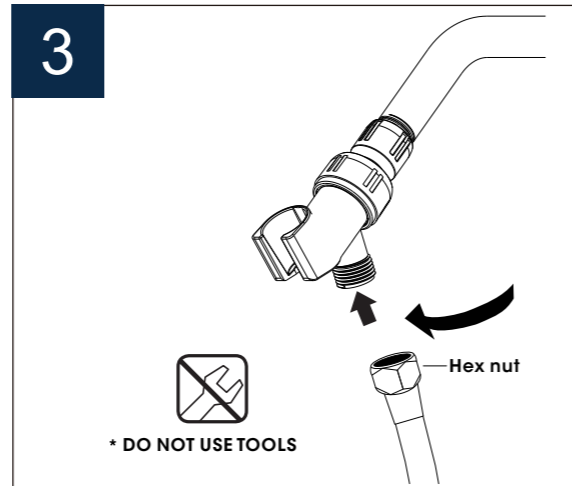
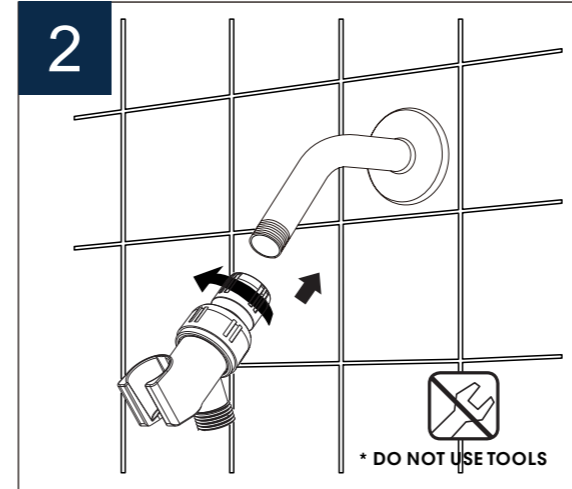
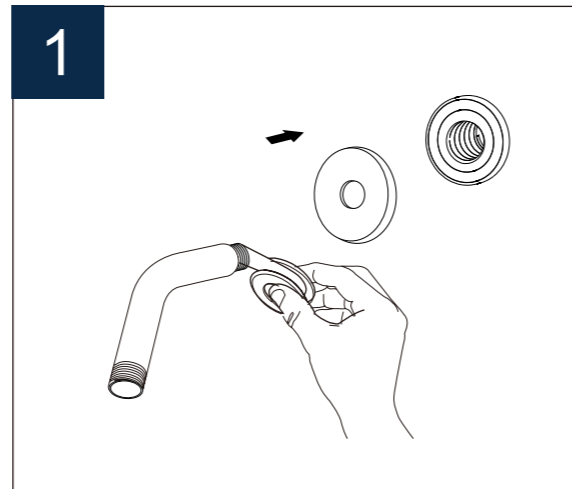
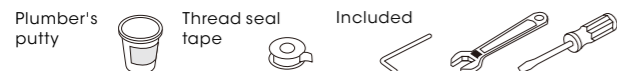


## PRODUCT DRAWING



No.	Description
A	Hand shower
B	Adjustable bracket
C	Flexible hose
D	Shower arm and flange kit

## RECOMMENDED TOOLS



## HAND SHOWER SET

Installation instruction



\*No control valve\*  
**MB/BN/BG/CH/ORB**

### CARE INSTRUCTIONS

Rinse the product with clear water. Dry the product with a soft cloth.

### DO NOT:

Use abrasive cleansers, cloths, or paper towels. Use any cleaning agents containing acid, polish, wax, alcohol, ammonia, bleach, solvent or any other corrosive or harsh chemical cleansers.