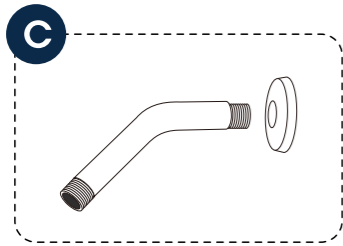
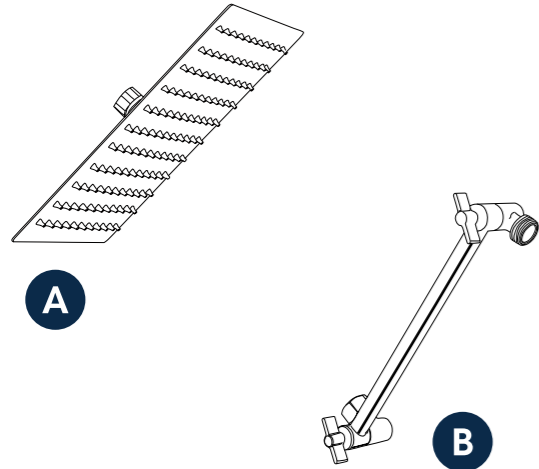
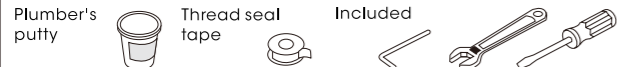


INSTALLATION MANUAL

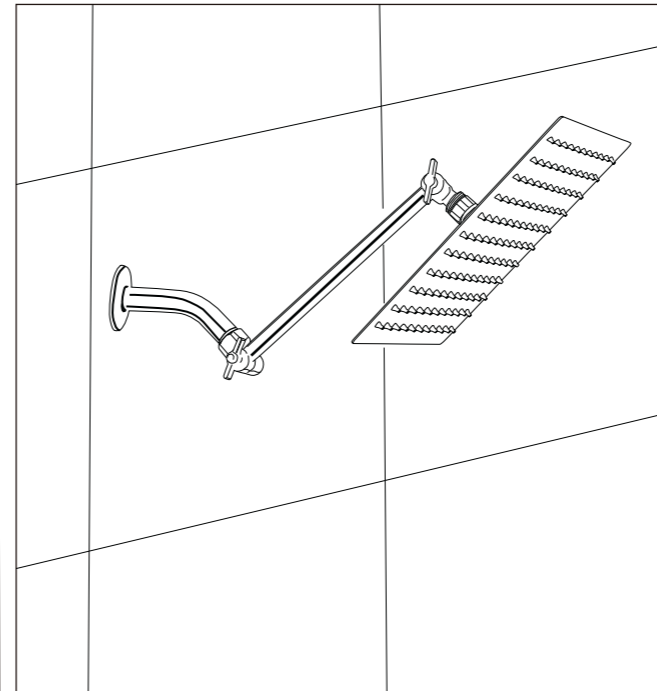
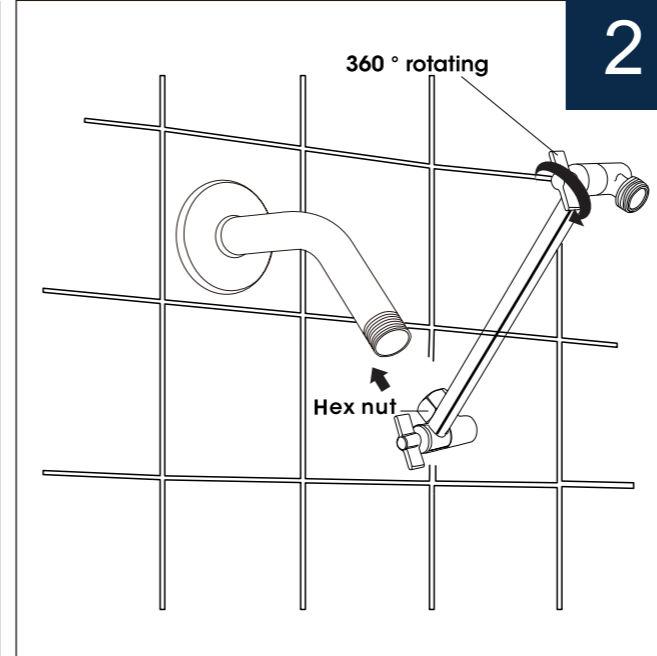
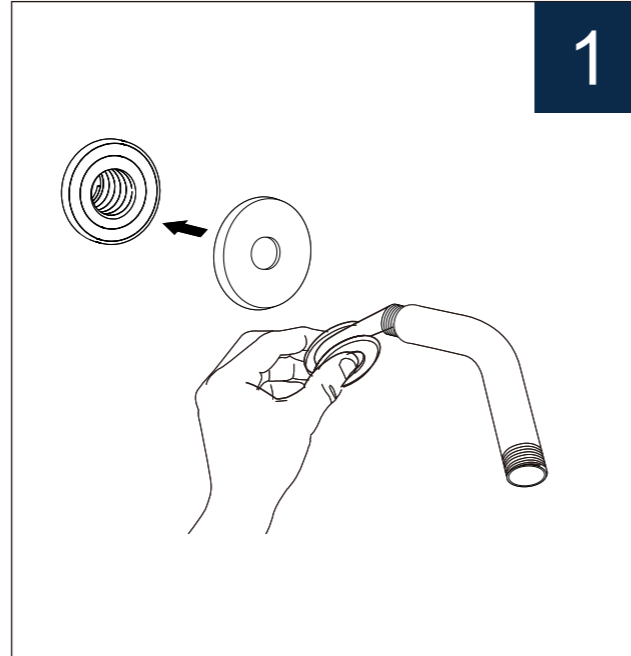


No.	Description
A	Shower Head
B	Adjustable Extension Arm
C	Shower Arm with Flange

RECOMMENDED TOOLS



INSTALLATION STEPS



SHOWER HEAD WITH EXTENSION ARM SET

Installation instruction



No control valve
MB/BN/BG/CH/ORB

CARE INSTRUCTIONS

Rinse the product with clear water. Dry the product with a soft cloth.

DO NOT:

Use abrasive cleansers, cloths, or paper towels. Use any cleaning agents containing acid, polish, wax, alcohol, ammonia, bleach, solvent or any other corrosive or harsh chemical cleansers.