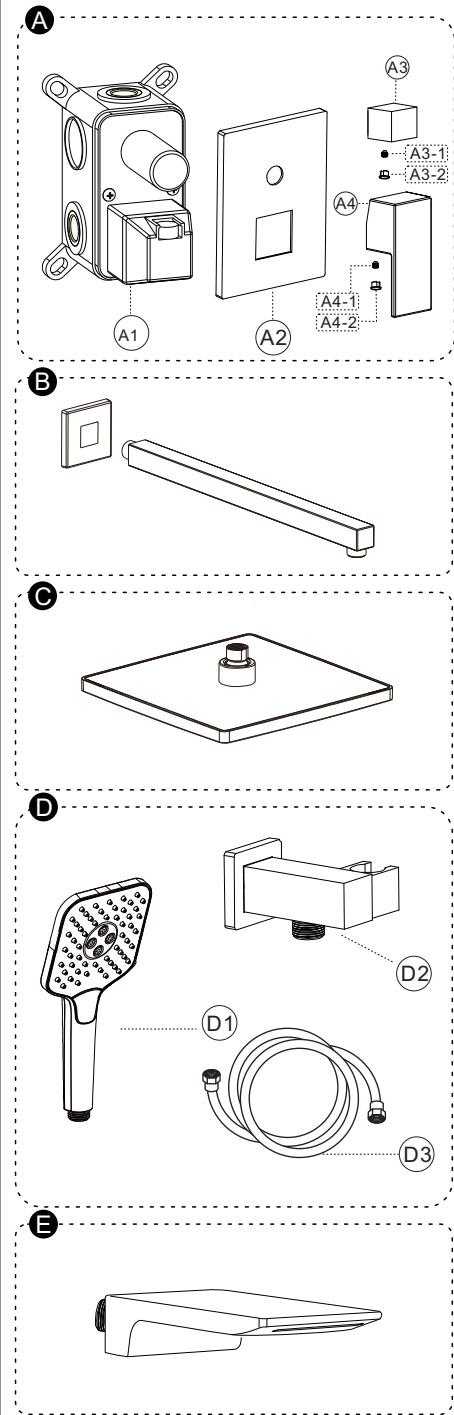
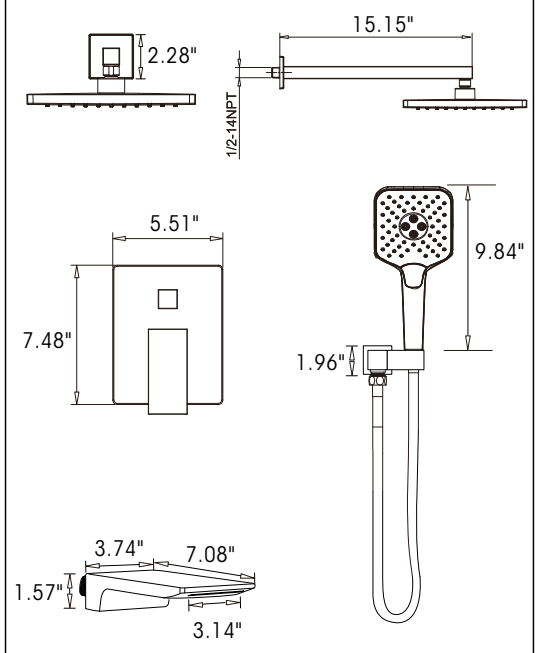


## Accessories List



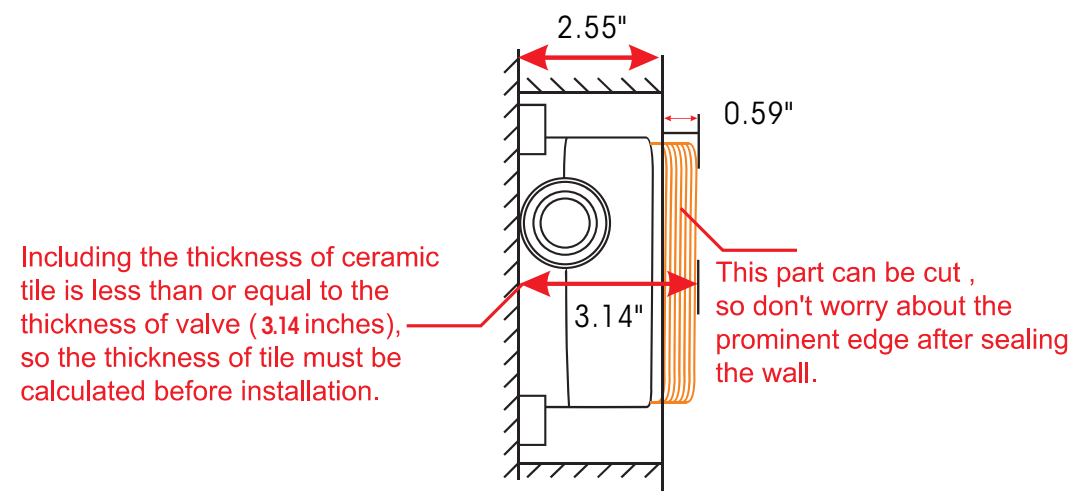
No.	Description
<b>A</b>	Pressure balanced diverter valve
<b>A1</b>	Valve
<b>A2</b>	Face plate with sealjoint
<b>A3</b>	Diverter knob kit
<b>A3-1</b>	Allen screw (A3 included)
<b>A3-2</b>	Trim cap (A3 included)
<b>A4</b>	Shower valve handle
<b>A4-1</b>	Allen screw (A4 included)
<b>A4-2</b>	Trim cap (A4 included)
<b>B</b>	Shower arm and flange kit
<b>C</b>	Shower head
<b>D</b>	Handheld Shower Kit with Flexible Hose
<b>D1</b>	Handheld Shower
<b>D2</b>	Wall Bracket
<b>D3</b>	Flexible hose
<b>E</b>	Waterfall Tub Spout

## Product Drawing



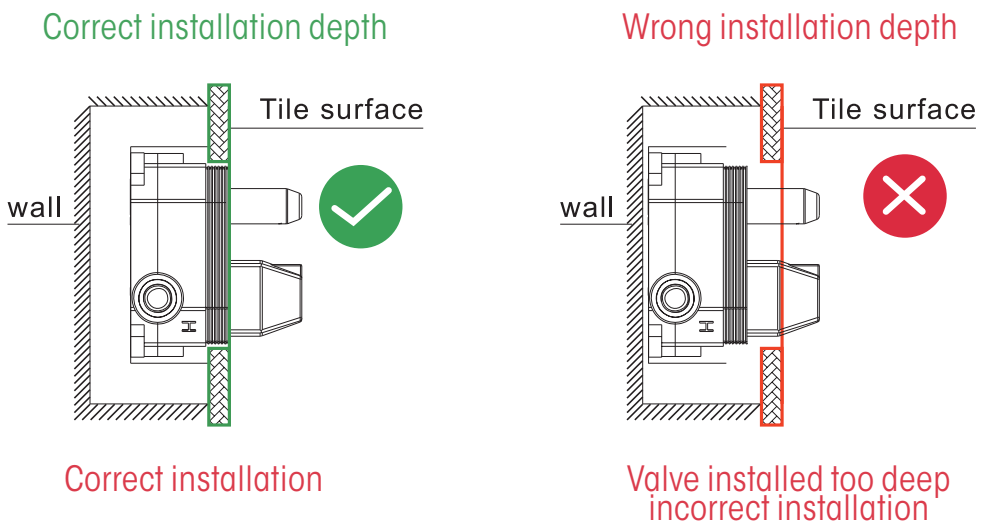
## INSTALL SHOWER VALVE

1. Measure valve installation dimensions.



Warm: There may be differences and errors in the size of the parts between different models, please measure again before installation.

Valve installation depth reference.



Note: Before laying the tiles, make sure that the depth of the shower valve body is sufficient to install the cover plate and handle.

