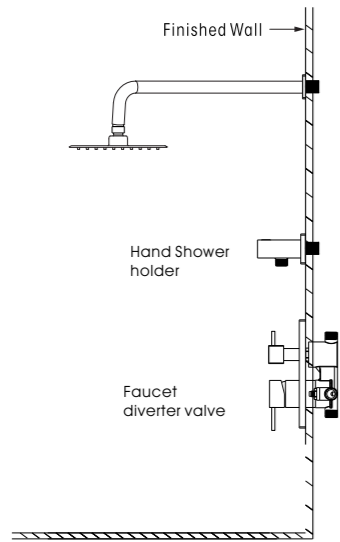
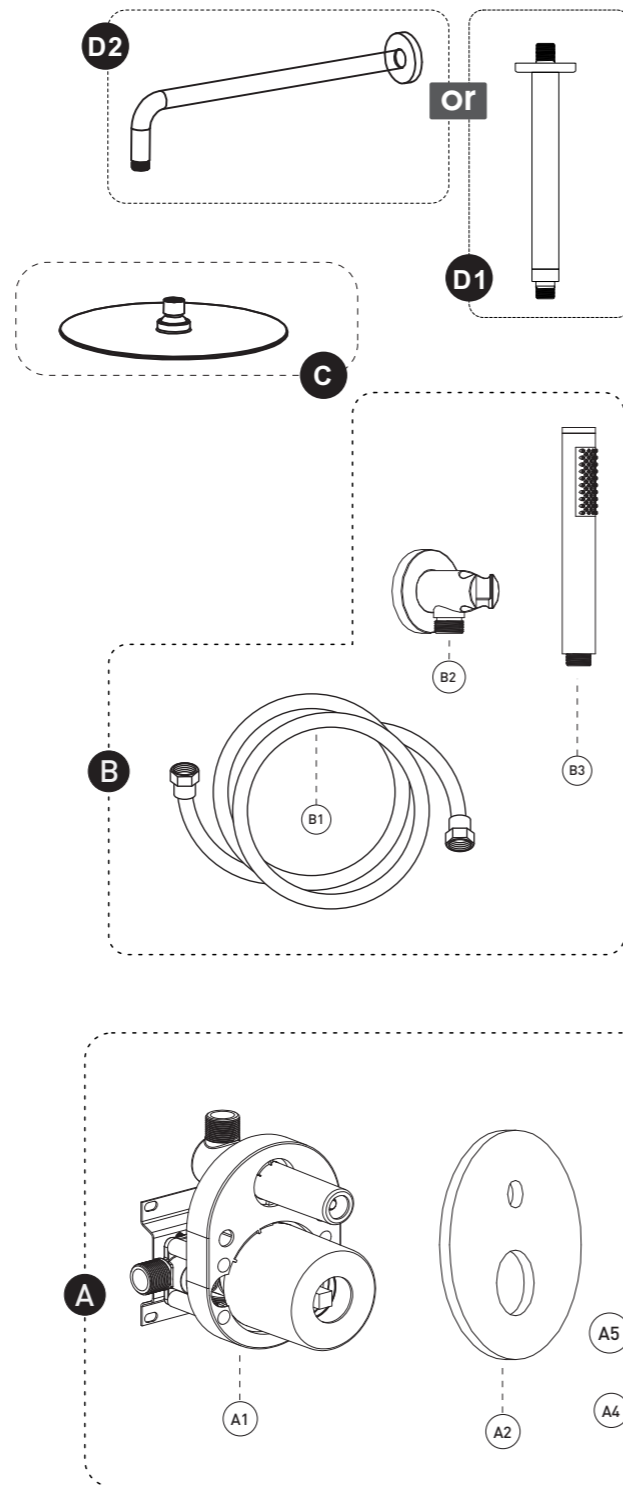
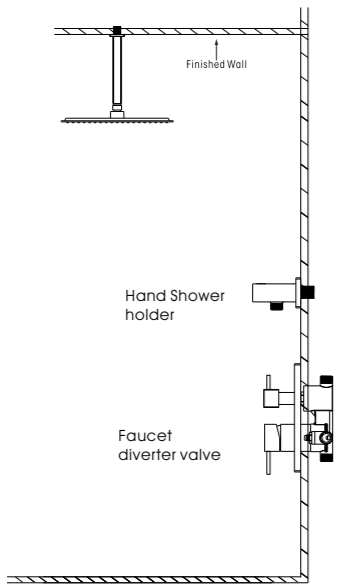


PRODUCT DRAWING

A



B



| No. | Description |
|------------|------------------------------------|
| A | Pressure balanced diverter valve |
| A-1 | Valve |
| A-2 | Face plate with sealjoint |
| A-3 | Diverter knob kit |
| A-4 | Trim cap |
| A-5 | Allen screw |
| B | Sliding bar kit with flexible hose |
| B-1 | Flexible hose |
| B-2 | Hand shower holder |
| B-3 | Hand shower |
| C | Shower head |
| D1 | Ceiling shower arm and flange kit |
| D2 | Shower arm and flange kit |

SHOWER SYSTEM FAUCET

Installation instruction



MB/BN/BG/CH/ORB

CARE INSTRUCTIONS

Rinse the product with clear water. Dry the product with a soft cloth.

DO NOT:

Use abrasive cleansers, cloths, or paper towels. Use any cleaning agents containing acid, polish, wax, alcohol, ammonia, bleach, solvent or any other corrosive or harsh chemical cleansers.

! IMPORTANT

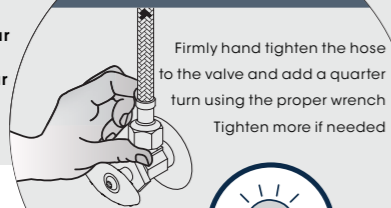
We recommends using a professional plumber for all installtion and repair. Please inform yourself about the canadian plumbing code`s regulations and your local municipality plumbing codes before installlation.the canadian plumbing code requires the installation of urge arresting devices to eliminate water hammering.allow an adequate opening in orderto easilyaccess connections or other plumbing devicesfor maintenance or repair.

RECOMMENDED TOOLS



* Apply plumber's putty under the plastic cover deck plecta to seal your installation.
Appliquez du mastic pour plombier sous la sous-plaque de plastique pour rendre votre installation étanche.

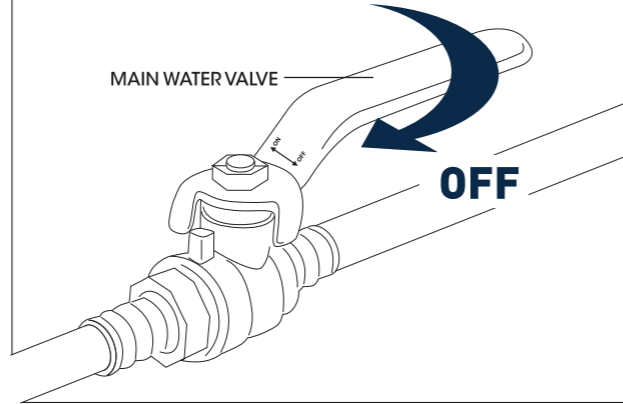
CONNECTION ADVICE



The model shown in the installation steps may differ from the one in box however connection type and installation steps are the same.

INSTALLATION STEPS

BEFORE YOU BEGIN



INSTALLATION WAY

