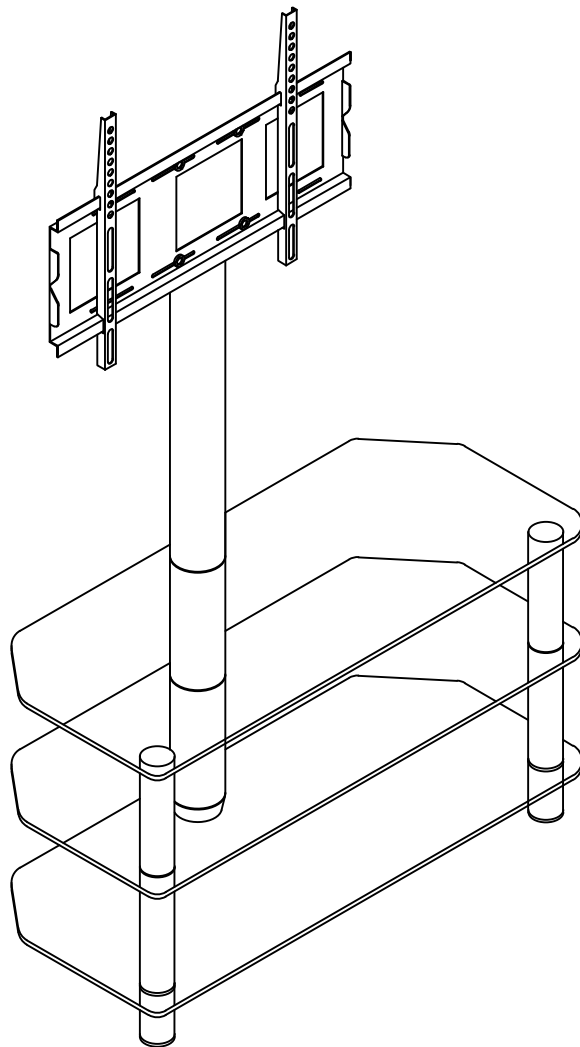
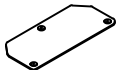

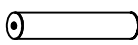
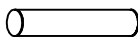
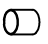

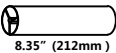

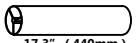
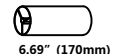
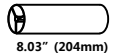






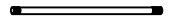















Model:ATV900



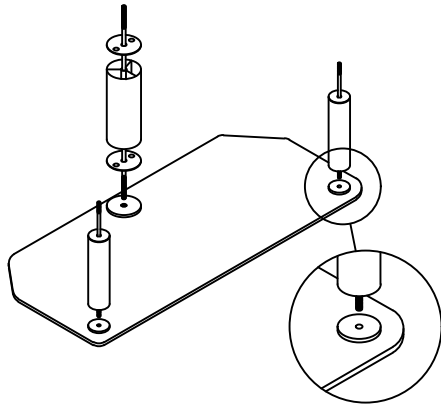
Parts check-list

No.	Description	Qty.
A		1
B		2
C		2
D		2
E		2
F		1
G	 8.35" (212mm)	1
H		1
I	 17.3" (440mm)	1
J	 6.69" (170mm)	1
K	 8.03" (204mm)	1
L		2
M		1

No.	Description	Qty.
N		2
O		2
P	 M6x490	2
Q	 M8x468	1
R	 M10x645	2
S		9
T	Screws for TV	1
U	 U ₁ : X1  U ₂ : X1	1
V	 V ₁ : X1  V ₂ : X1  V ₃ : X1	1
W	 (Rubber washer) W ₁ : X2  W ₂ : X2  W ₃ : X2	1
X	 X ₁ : X2  X ₂ : X2	1
Y	 Y ₁ : X2  Y ₂ : X2	1

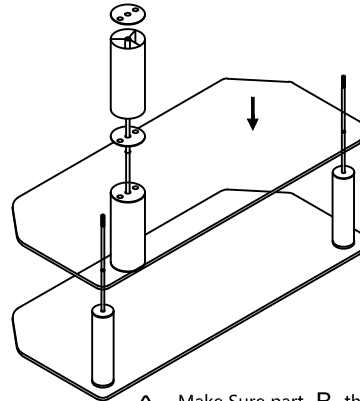
GUIDE TO ASSEMBLY

1 A+DX2+K+P+Q+SX2



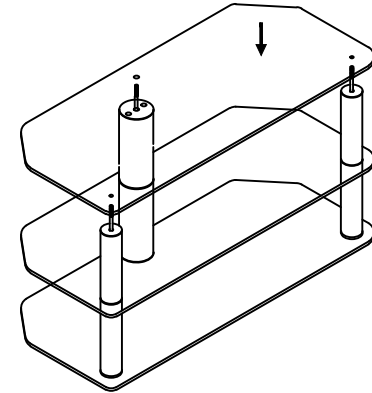
No Spacer.

2 B+CX2+G+SX2



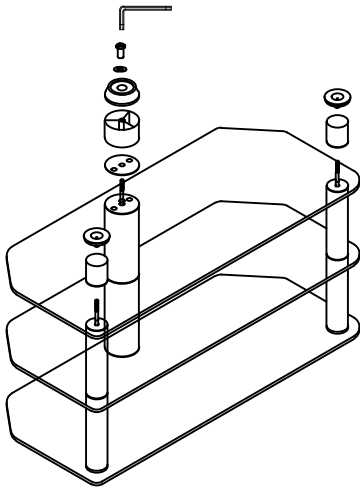
⚠ Make Sure part B the matt surface face upward during assembling.

3 B

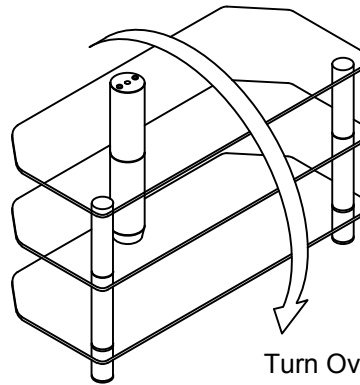


⚠ Make Sure part B the matt surface face upward during assembling.

4 E+F+H+L+SX1+U+V₃

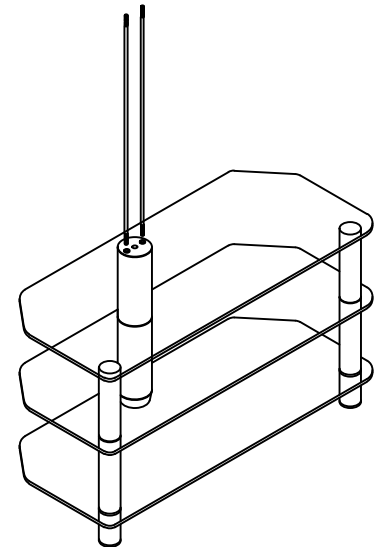


5



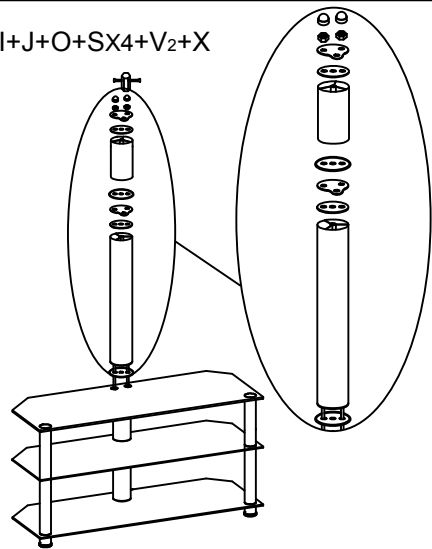
Turn Over

6 R



7

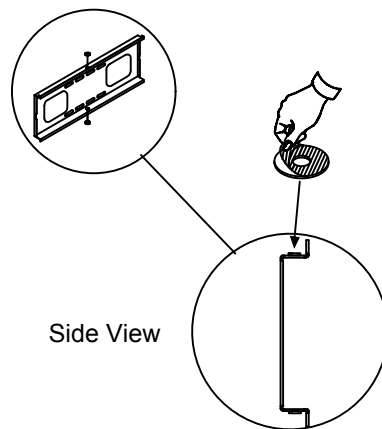
I+J+O+SX4+V₂+X



Please don't fully tighten until Step 9 to fix all the screws in the right holes.

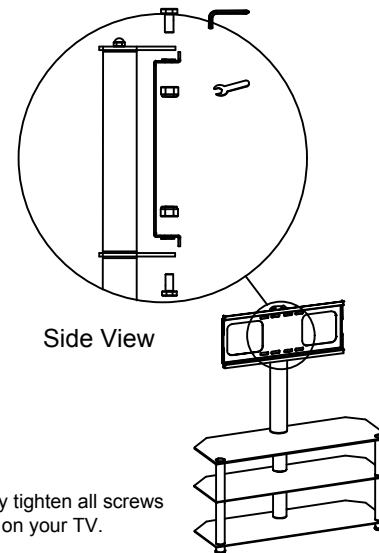
8

M+W₁



9

V₁+V₃+W₂+W₃



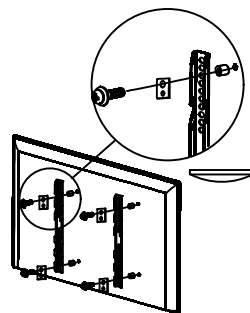
Make sure fully tighten all screws before putting on your TV.

10

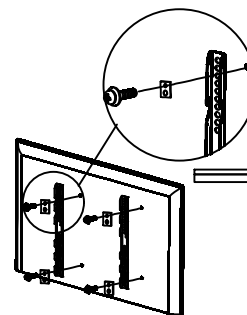
N+T

Choose right screws for TV

Screws for TV (PACK)	NO.	Part Description	Part Sketch Map	QTY
	1	M6		4
	2	M6		4
	3	M8		4
	4	M8		4
	5	Space		4
	6	Square Washer		4



Curved or Recessed TV



Flat Panel TV

11

Y

