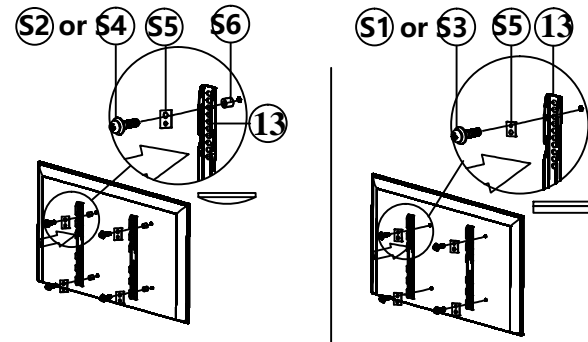


18

- S1 M6X25 x4
- S2 M6X40 x4
- S3 M8X25 x4
- S4 M8X45 x4
- S5 Square Washer x4
- S6 Space 18X22 x4
- Space 13X17 x4
- 13 x2

! Choose right screws for TV, the screws suit to most of TVs, but not all TVs.

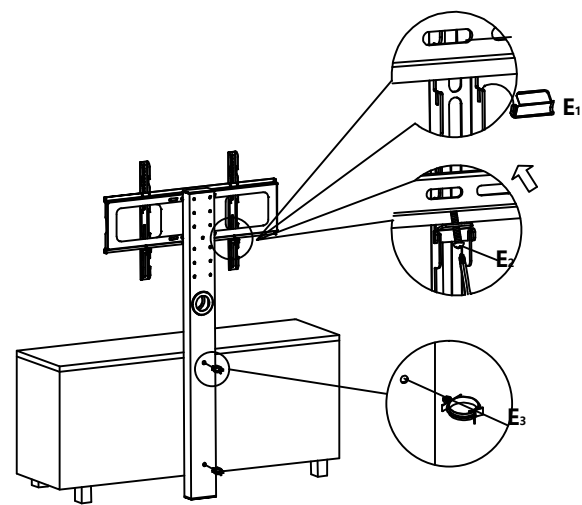


Bracket 13 is suitable for the screens' back with curved or recessed

Bracket 13 is suitable for the screens' back with Flat

19

- E1 x2
- E2 x2
- E3 x2



20

