

Thank you for purchasing

SERVICE CARD

We strive to make sure each item you got is perfect and ensure all parts and hardware are included in our package. However if you are experiencing a shortage of any parts or hardware, PLEASE do not return the product to any local store directly. Try to contact us, we will do our best to solve your problem and expedite the missing item to you as soon as possible from our local customer service center.

Please provide following information when you contact us. Your detail information will help us to bring you a more faster and effective service for you . Appreciate your kindly understanding and patience !

1. Your **Order No.** (Comes from your marketplace dashboard) . **Model No.** (On the left side of the Wireframes) **Series No.** (On the right side below)
2. Marketplace you place the order : Amazon, Walmart, Ebay or Others
3. What's the problem you had and the help you need

Notice



Read this assembly manual carefully and make sure you have all the parts list below before you begin to instau. Keep this assembly manual for future reference.



Move this stand gently with 2 persons.



Protect finishes by placing furniture pieces on a soft carpeted surface during assembly.



Do not place very hot/cold objects on top of any surface. Always use a coaster or mat. Never leave liquids on the surface: Clean immediately with a mild soap and a damp cloth. Never use scouring powder based cleanser. Don't touch the glass surface with a hard/acute object it may cause the glass to shatter.



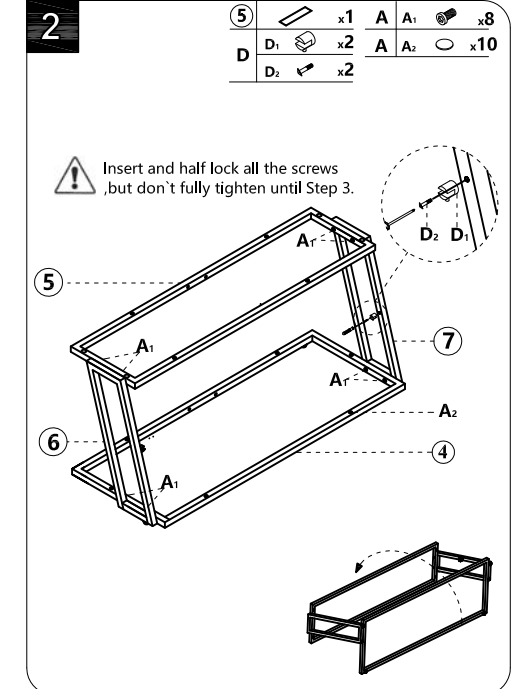
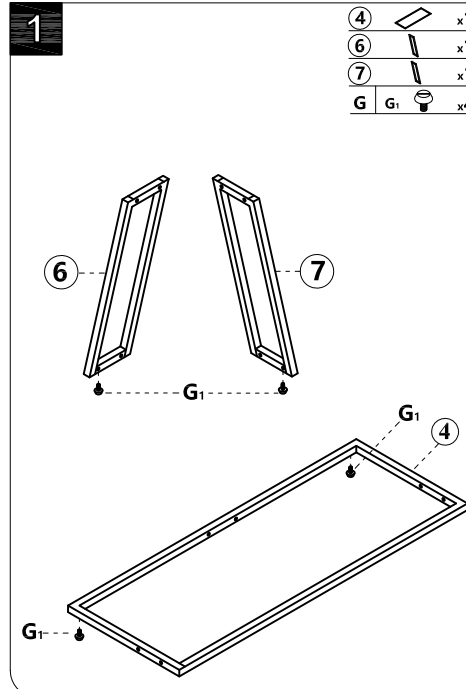
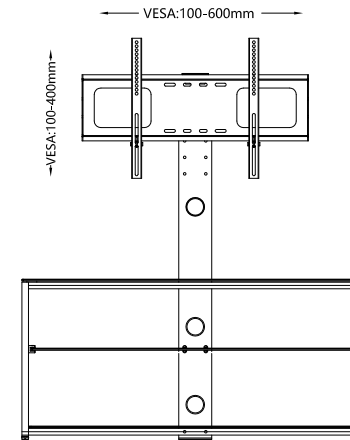
DO NOT ASSUME CHILD SAFETY WITH ANY PIECE OF FURNITURE!

Do not allow children to climb on furniture. Improper use can cause death or serious injury. If you are placing a TV on top use safety straps on your TV to prevent the risk of a toppling television. Furniture straps fastened to a wall can also be used to help ensure safety.

Damaged parts or furniture put together incorrectly can lead to serious injuries. Make sure to follow instructions correctly.

Part list

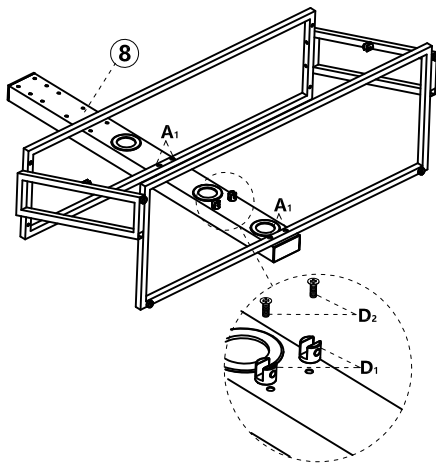
① x1	② x1	③ x1	④ x1	⑤ x1
⑥ x1	⑦ x1	⑧ x1	⑨ x1	⑩ x2
⑪ x2				
A A ₁ X12 A ₂ X10	B B ₁ X4 B ₂ X4 B ₃ X4	C C ₁ X2 C ₂ X2 C ₃ X2	D D ₁ X4 D ₂ X4	E E ₁ X2 E ₂ X2 E ₃ X2
F F ₁ X1 F ₂ X1 F ₃ X1	G G ₁ X4 G ₂ X4		S Screws for TV	Tools Required (Not included)



3

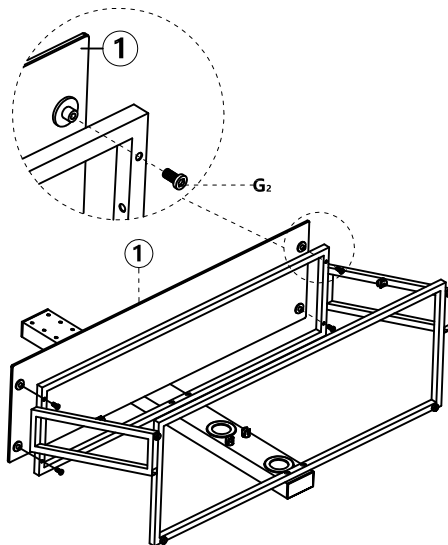
D	D ₁		x2	8		x1
	D ₂		x2	A	A ₁	x4

⚠ Adjust and fully tighten all screws.



4

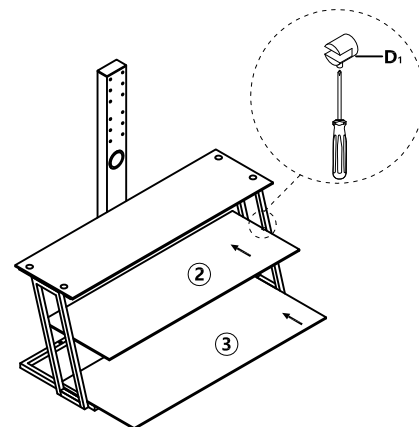
1		x1
G	G ₂	x4



5

2		x1
3		x1

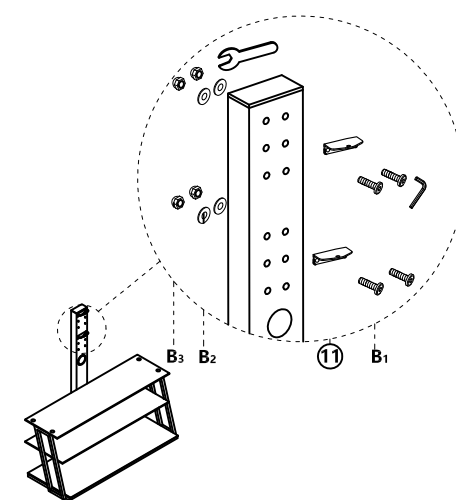
⚠ Please fully tighten Part D₁ after insert shelves glass.



6

11		x2	B ₁		x4	
F	F ₂		x1	B	B ₂	x4
F	F ₄		x1	B ₃		x4

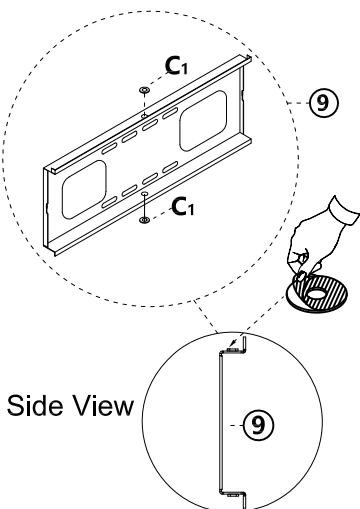
⚠ Attach 11 to main pole. Notice, there are three height options.



7

9		x1	
C	C ₁		x2

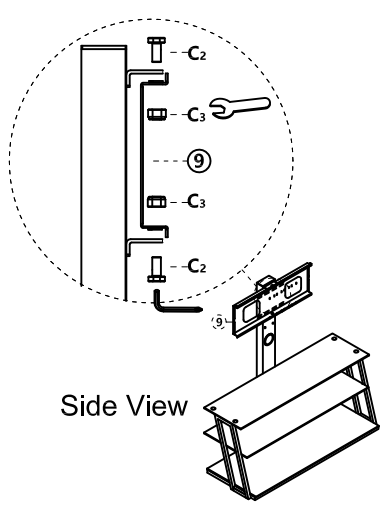
⚠ Stick C1 on top and bottom center of steel bracket.



8

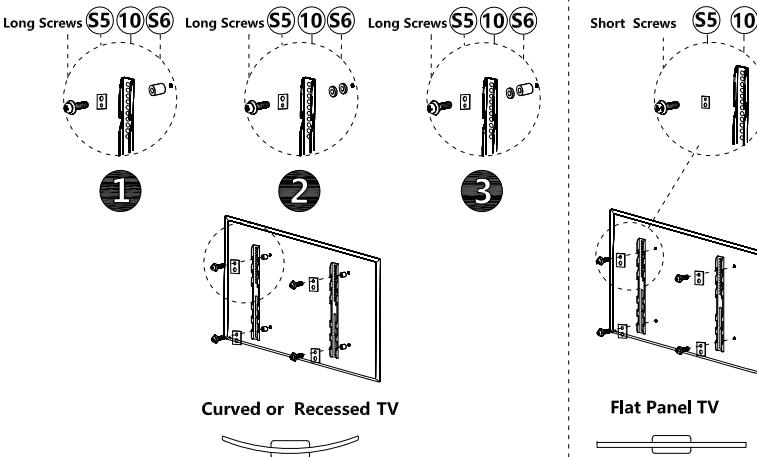
F	F ₁		x1	C	C ₂		x2
F	F ₃		x1	C	C ₃		x2

⚠ Make Sure fully tighten all screws before putting on your TV.



9

⚠ Variant screws and spacers provided to fit your TV, however not for all brands. Maybe you need to use the original screws comes with your TV or buy the special screws by yourself.



10

E	E ₁		x2
	E ₂		x2
	E ₃		x2

⚠ Important: Lock your TV before using

