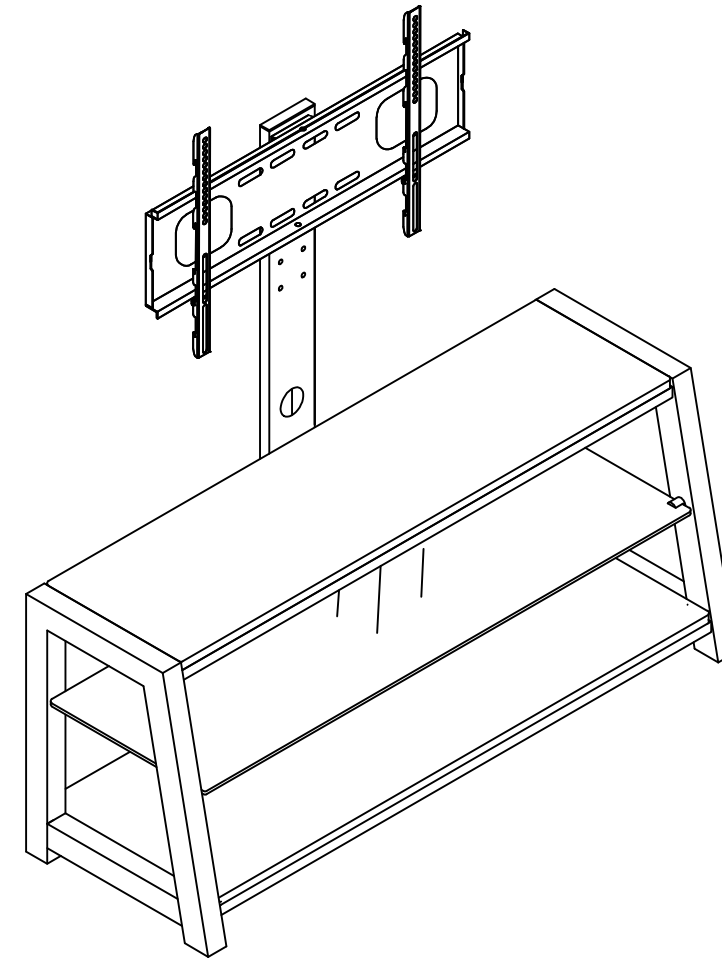


# MAT6700



## Important



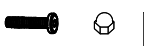
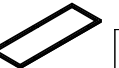


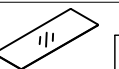

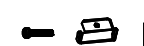






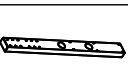




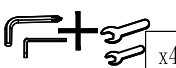
Please inspect all items carefully before assembling.  
 If for any reason you need to return this  
 item, you must return it in its original packaging.  
**Assembled items can not be returned.**

### Important Note:

\*Place all parts on a clean and smooth surface such as  
 a rug or carpet to avoid the parts from being scratched.

\*Kindly follow the assembly instruction step by step.

\*Don't tighten all screws until the table is fully set-up.

1	Top Frame	 x1	8	Mounting Plate	 x1	D	Nuts Screws#2	 x4
2	Bottom Frame	 x1	9	Brackets	 x2	E	Nuts Screws#3	 x2
3	Glass	 x1	10	Top MDF	 x1	F	Iron Tablets	 x2
4	Left Frame	 x1	11	Bottom MDF	 x1	G	Wiring harness	 x2
5	Right Frame	 x1	A	Screws	 x8	H	Screws#4	 x12
6	Back Frame	 x1	B	sucker	 x4	I	Washers	 x4
7	Swivel Bracket	 x2	C	Nuts Screws#1	 x4	J	Allen Key	 x4

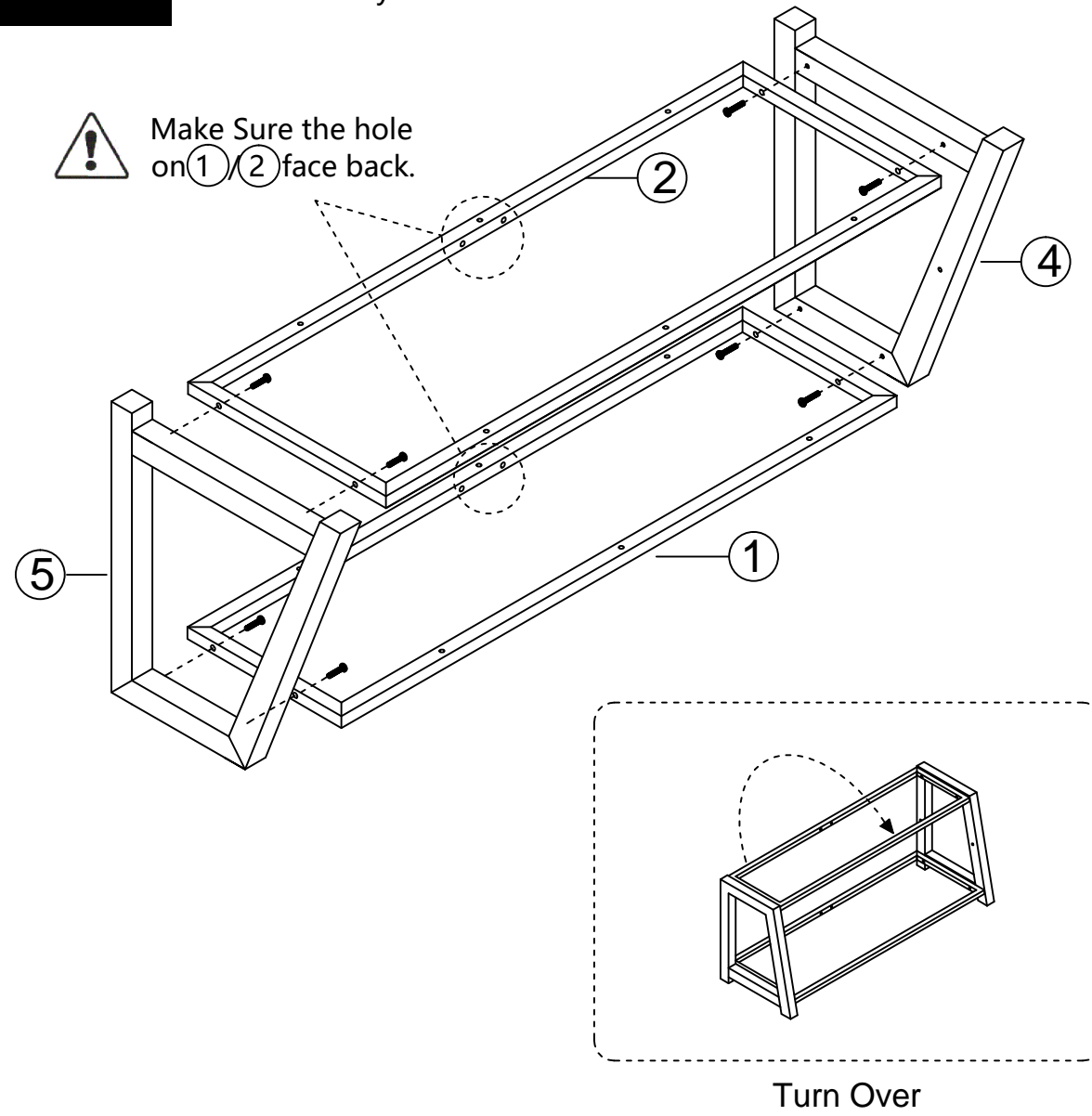
# 1



Please do not fully tighten until Step 4 to fix all the screws in the right holes and guarantee the Part ⑩/⑪ will be assembled successfully.



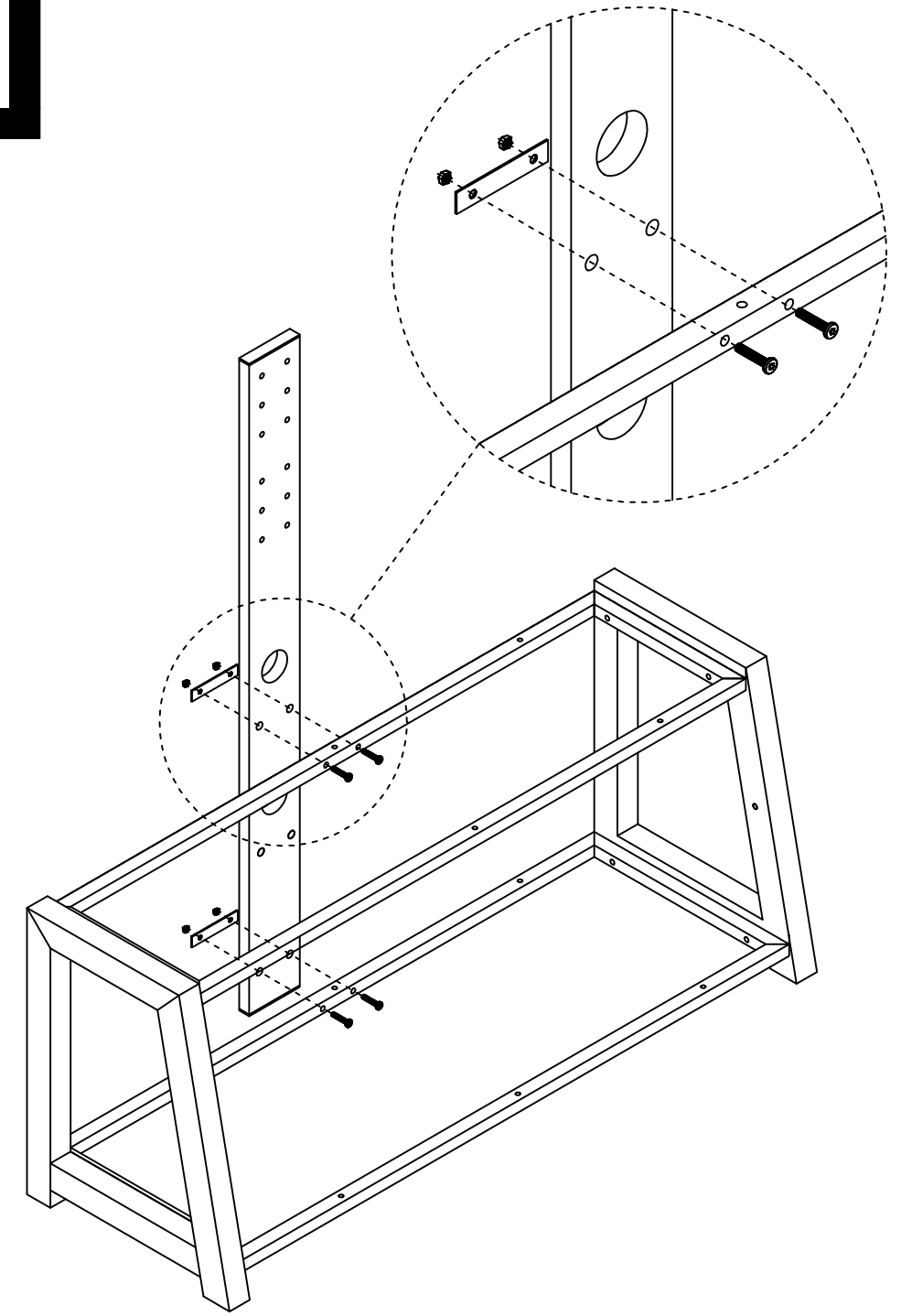
Make Sure the hole on ①/② face back.



<b>1</b>	Top Frame		x1
<b>2</b>	Bottom Frame		x1

<b>4</b>	Left Frame		x1
<b>5</b>	Right Frame		x1
<b>A</b>	Screws		x8

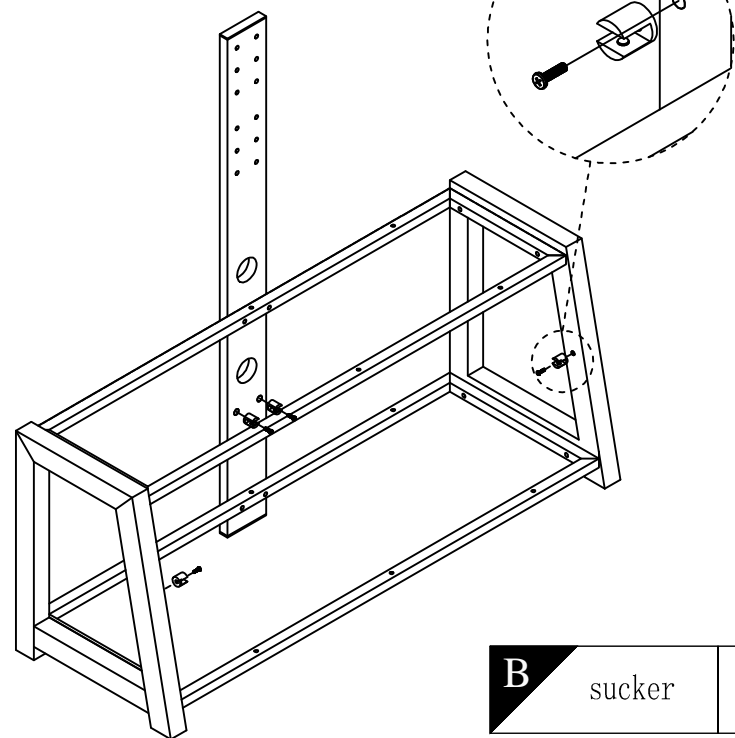
# 2




<b>I</b>	Washers		x2
<b>6</b>	Back Frame		x1

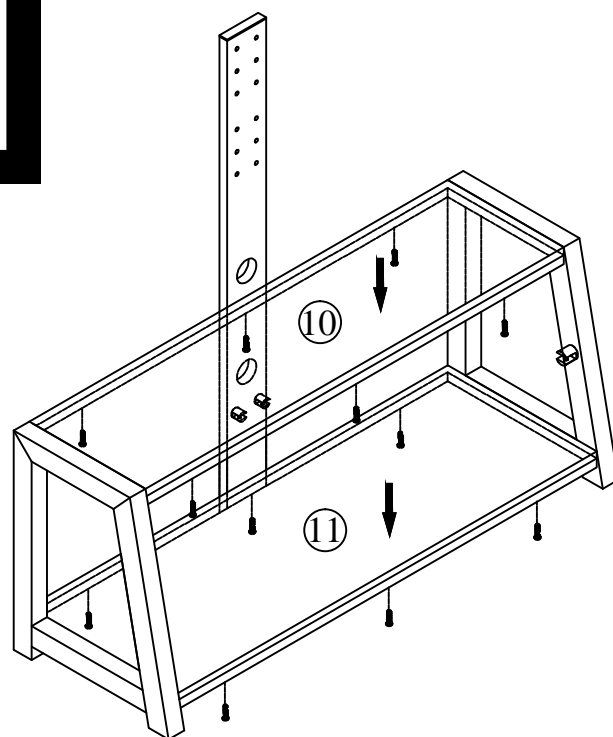
<b>C</b>	Nuts Screws#1		x4
----------	------------------	--	----

# 3





<b>B</b>	sucker		x4
----------	--------	--	----

# 4



<b>10</b>	Top MDF		x1
-----------	---------	---	----

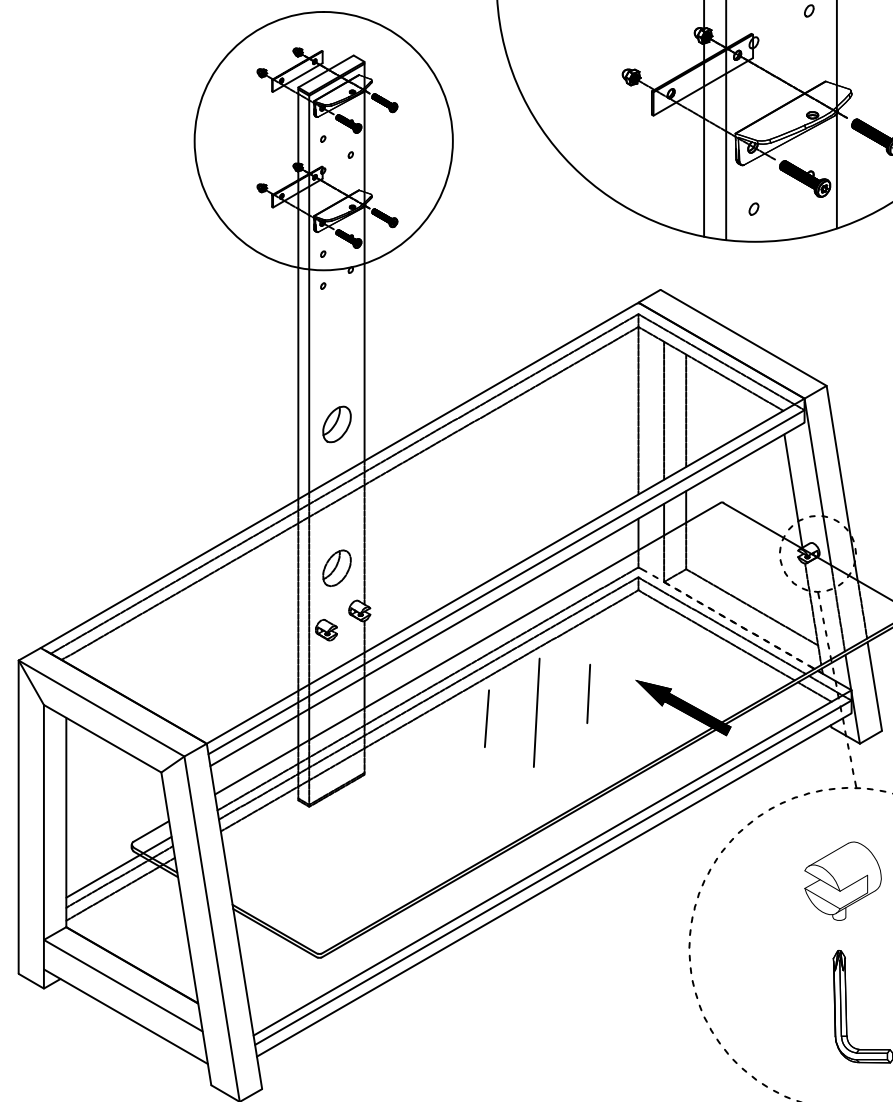
<b>11</b>	Bottom MDF		x1
-----------	------------	---	----

<b>H</b>	Screws#4		x12
----------	----------	---	-----

# 5




Please check and select the right height holes before assembling .




Please fully tighten Part B after insert shelves glass.

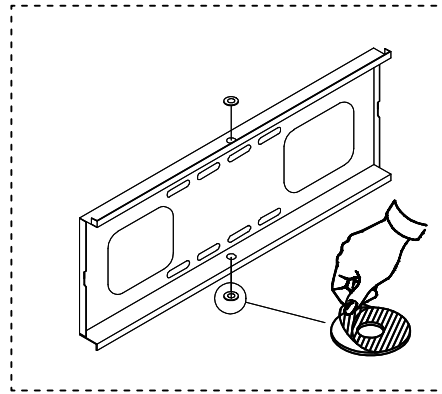
<b>I</b>	Washers		x2
----------	---------	---	----

<b>7</b>	Swivel Bracket		x2
----------	----------------	---	----

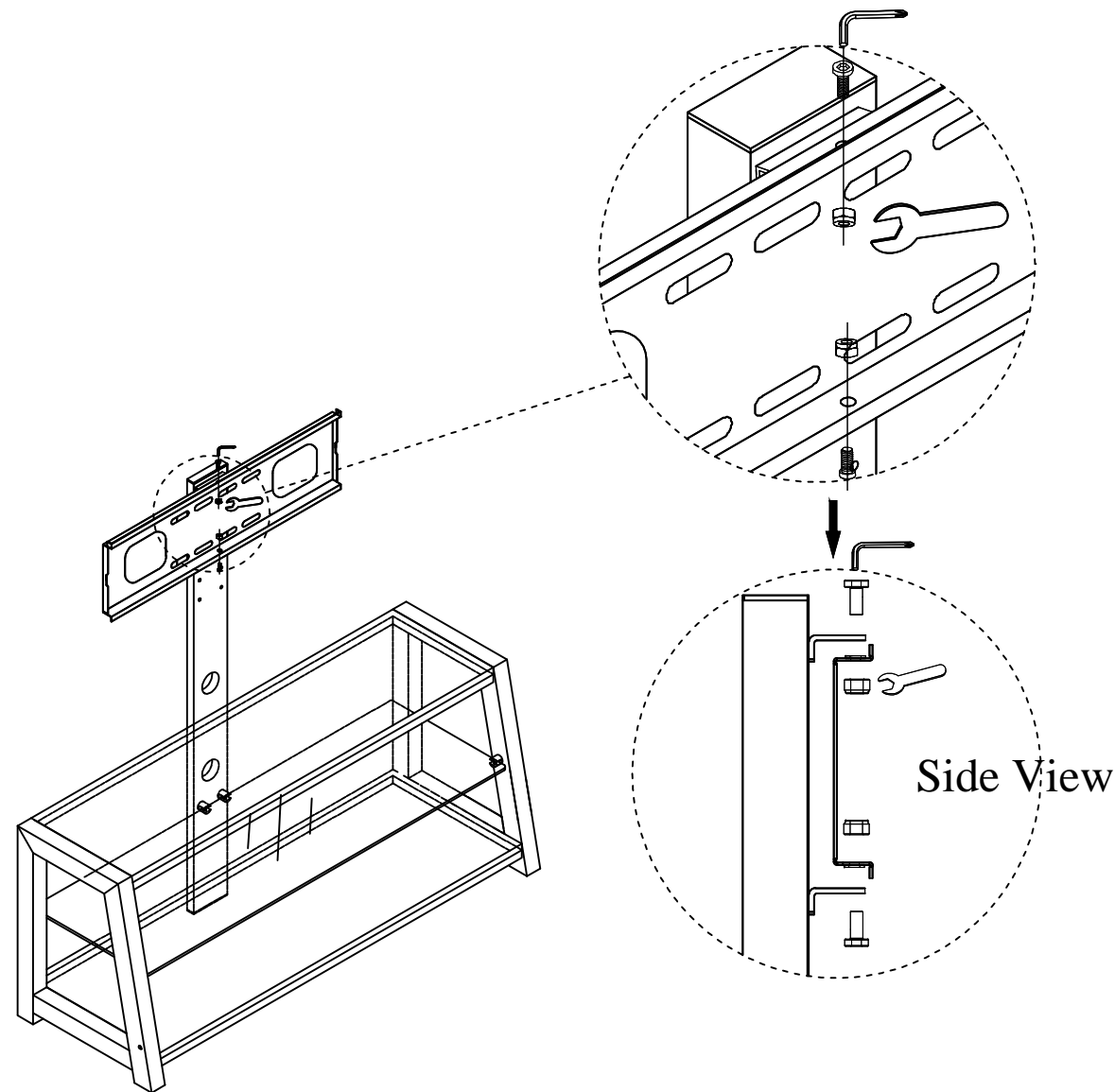
<b>3</b>	Glass		x1
----------	-------	---	----


<b>D</b>	Nuts Screws#2		x4
----------	------------------	---	----


6



Stick the spacers to the middle hole position of the steel frame up and down.



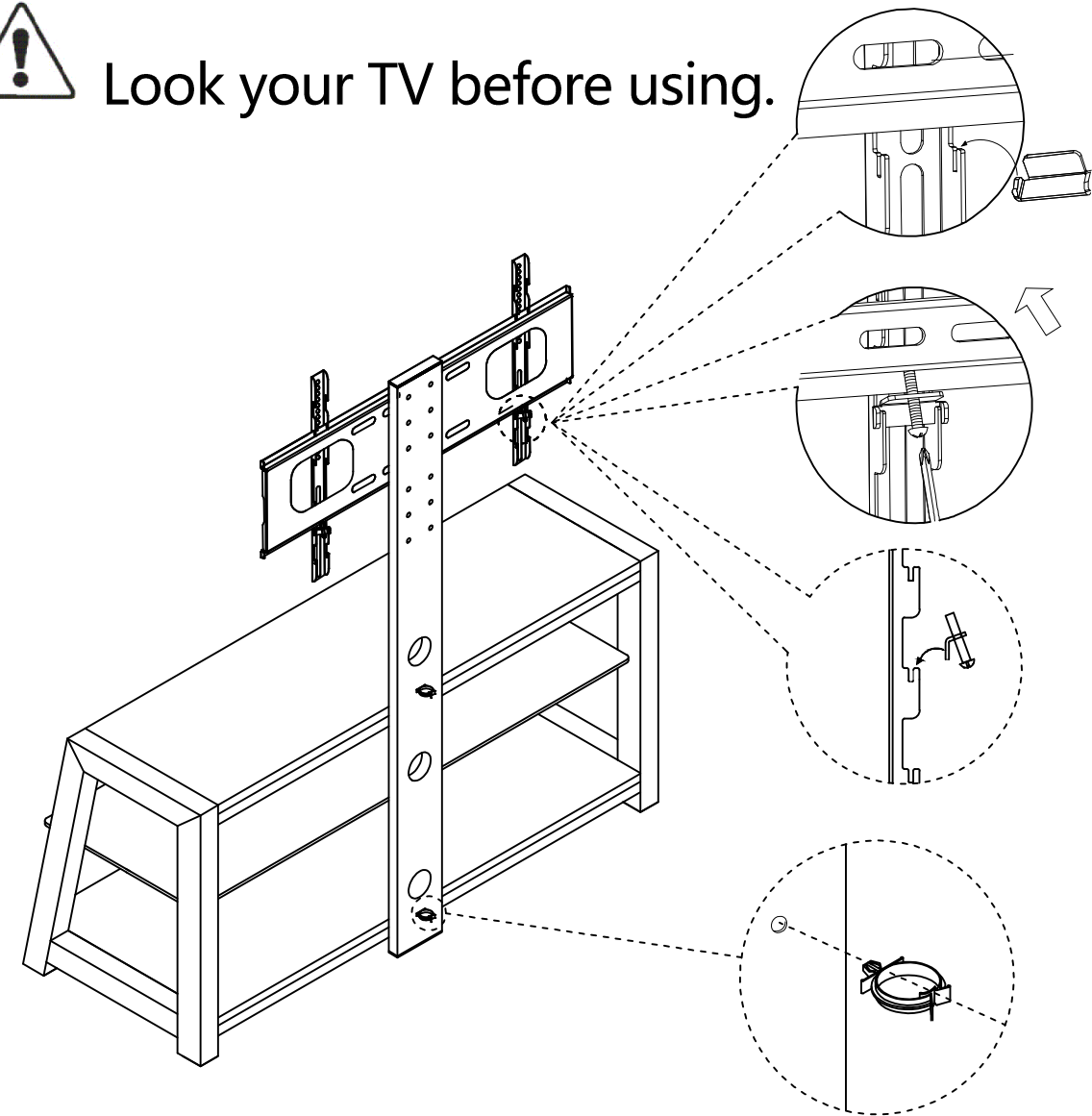
**8** Mounting Plate  x1


**E** Nuts Screws#3  x2


7

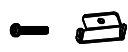


Look your TV before using.



**9** Brackets  x2

**G** Wiring harness  x2

**F** Iron Tablets  x2