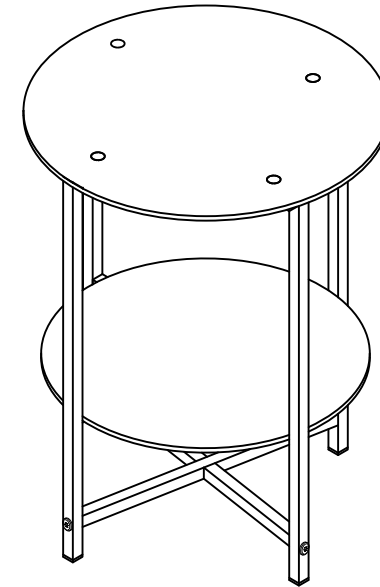


JZQ4001

Important

Please inspect all items carefully before assembling.
If for any reason you need to return this
item, you must return it in its original packaging.
Assembled items can not be returned.



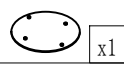


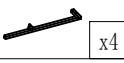

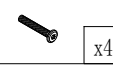
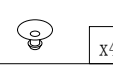

Important Note:

*Place all parts on a clean and smooth surface such as a rug or carpet to avoid the parts from being scratched.

*Kindly follow the assembly instruction step by step.

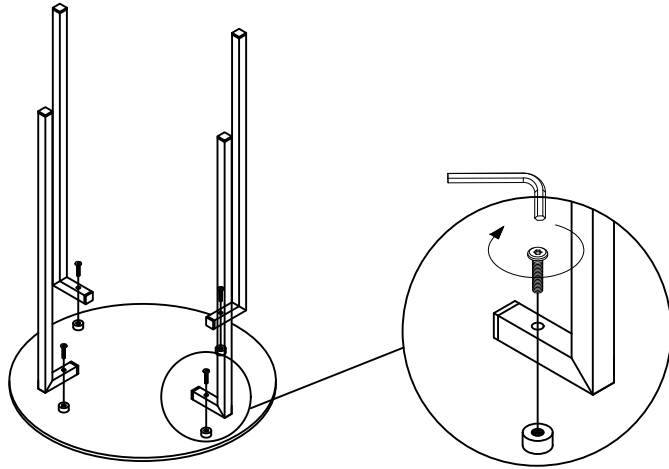
*Don't tighten all screws until the table is fully set-up.




COMPONENTS LIST

1	Top Glass	 x1	2	Middle Glass	 x1	3	Frame#1	 x1
4	Frame#2	 x4						
A	Screws#1	 x4	B	Screws#2	 x4	C	Sucking Disc	 x4
D	Allen Key	 x1						

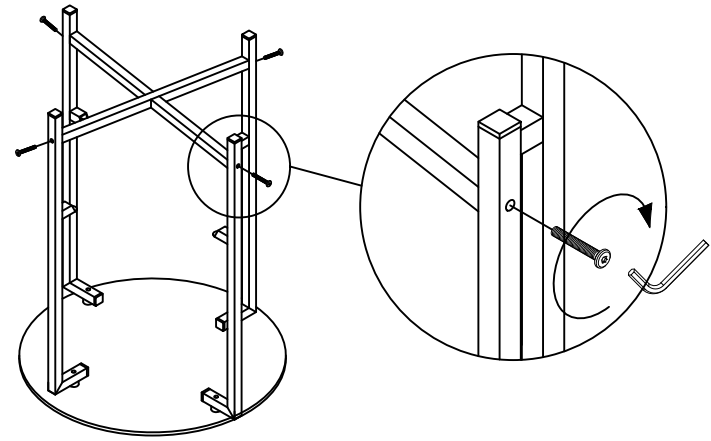
1



Please don't fully tighten all the screws until Step 4 .



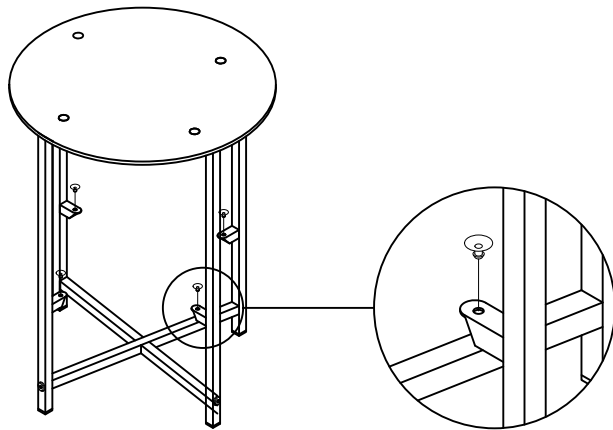
1	Top Glass	 x1	4	Frame#2	 x4	A	Screws#1	 x4
---	-----------	--	---	---------	--	---	----------	--


2



3	Frame#1	 x1	B	Screws#2	 x4
---	---------	--	---	----------	--

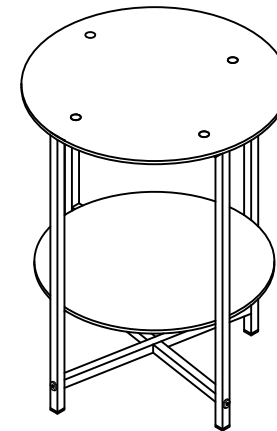
3




C	Sucking Disc	 x4
---	--------------	--

4

Make Sure fully tighten all screws .



2	Middle Glass	 x1
---	--------------	--