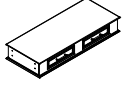
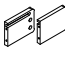
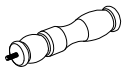
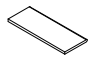

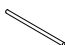
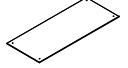
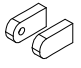




ASSEMBLY INSTRUCTION

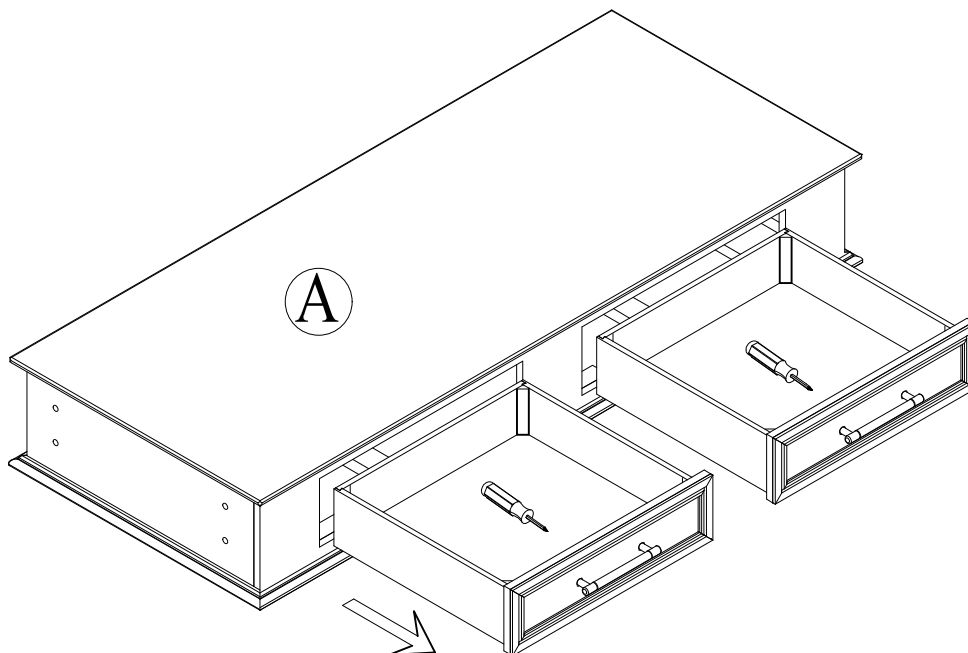
MODEL: # FSH2350

Thank you for purchasing this quality product. Be sure to check all packing material carefully for small parts which may have come loose inside the carton during shipment. Separate, identify and count all parts and metal hardware. Compare with parts list to be sure all parts are present. If any part(s) are missing or damaged, please contact your local furniture dealer. For efficient and speedy service, please indicate the model number and code letter of part(s) needed.

*** Do not fully tighten screws until fully assembled ***

No.	COMPONENT LIST		Q'ty	No.	COMPONENT LIST		Q'ty
Ⓐ		Chicken Cart Frame	1pc	Ⓔ		Storage side L/R	2pcs
Ⓑ		Legs	8pcs	Ⓕ		Storage Panel	1pc
Ⓒ		Stand Legs	4pcs	Ⓖ		Iron Tube	3pcs
Ⓓ		Shelves	2pcs	Ⓖ		Push Side L/R	2pcs
No.	HARDWARE LIST		Q'ty	No.	HARDWARE LIST		Q'ty
1		Bolts 1/4x35mm	6pcs	2		Allen key K4	1pcs

Step 1 : Pull out drawer and assembly handles



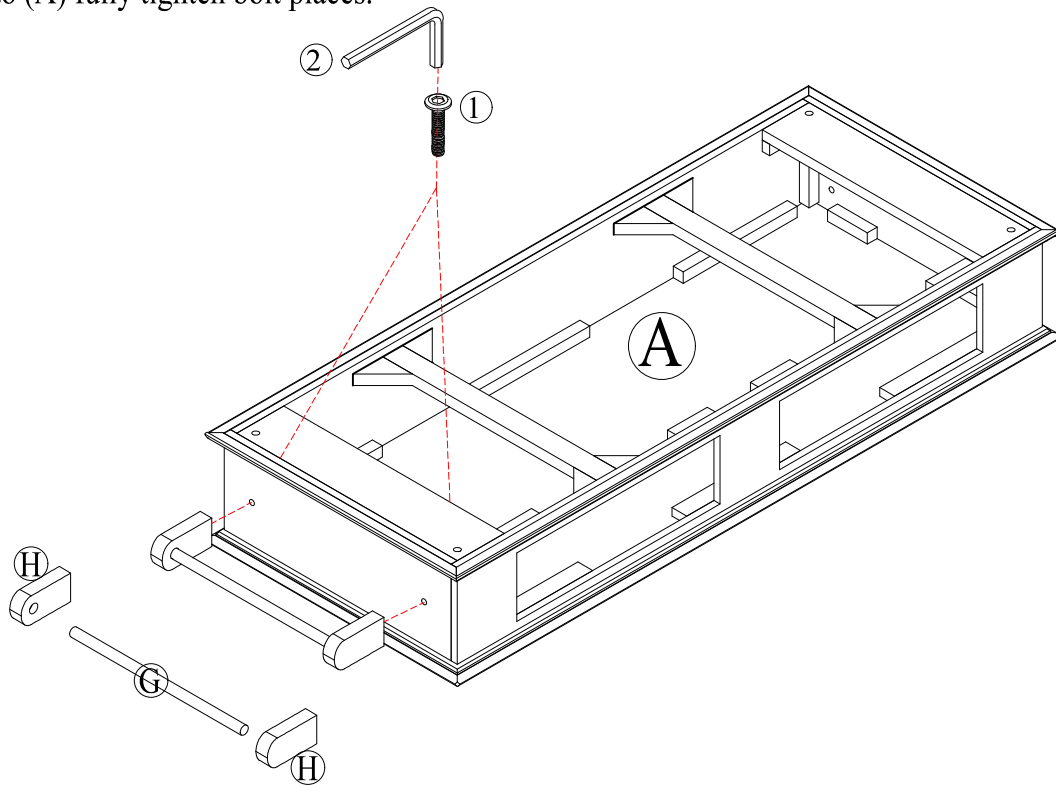
ASSEMBLY INSTRUCTION

MODEL: # FSH2350

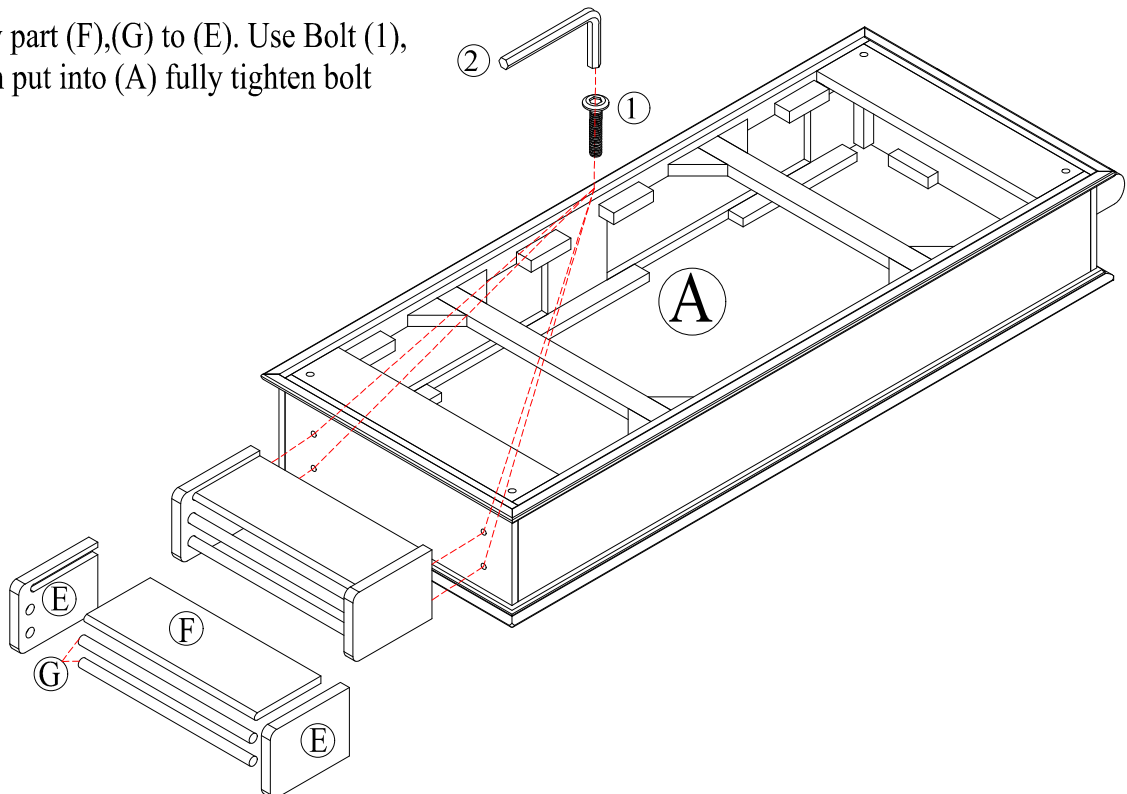
Thank you for purchasing this quality product. Be sure to check all packing material carefully for small parts which may have come loose inside the carton during shipment. Separate, identify and count all parts and metal hardware. Compare with parts list to be sure all parts are present. If any part(s) are missing or damaged, please contact your local furniture dealer. For efficient and speedy service, please indicate the model number and code letter of part(s) needed.

*** Do not fully tighten screws until fully assembled ***

Step 2: Assembly part (G) to (H). Use Bolt (1), Allen key(2) then put into (A) fully tighten bolt places.



Step 3: Assembly part (F),(G) to (E). Use Bolt (1), Allen key(2) then put into (A) fully tighten bolt places.



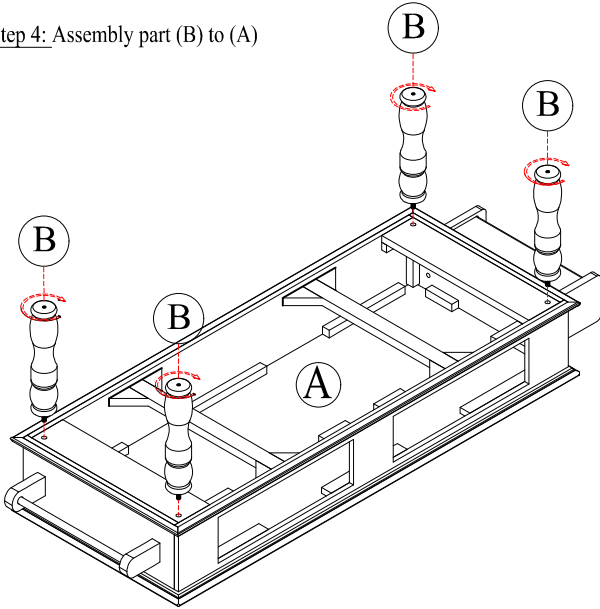
ASSEMBLY INSTRUCTION

MODEL: # FSH2350

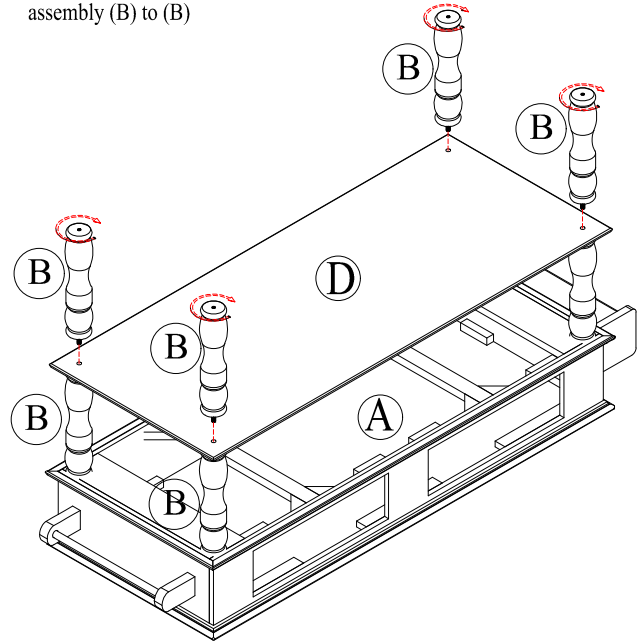
Thank you for purchasing this quality product. Be sure to check all packing material carefully for small parts which may have come loose inside the carton during shipment. Separate, identify and count all parts and metal hardware. Compare with parts list to be sure all parts are present. If any part(s) are missing or damaged, please contact your local furniture dealer. For efficient and speedy service, please indicate the model number and code letter of part(s) needed.

*** Do not fully tighten screws until fully assembled ***

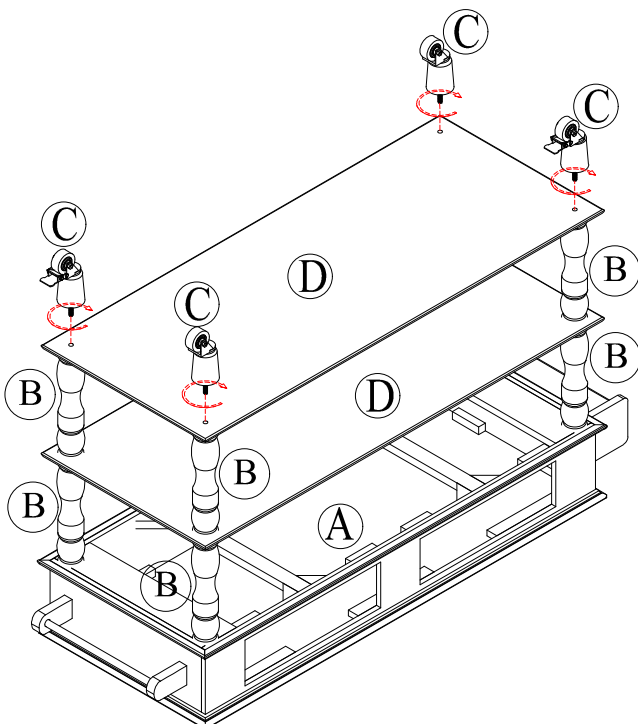
Step 4: Assembly part (B) to (A)



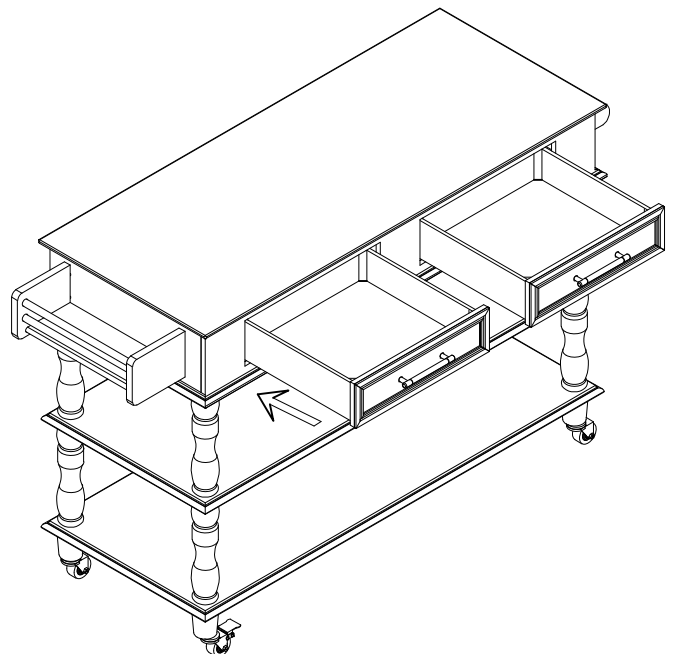
Step 5: Align and place part (D) to (B). Then assembly (B) to (B)



Step 6: Align and place part (D) to (B). Then assembly (C) to (B)



Step 5 : Pull in drawer

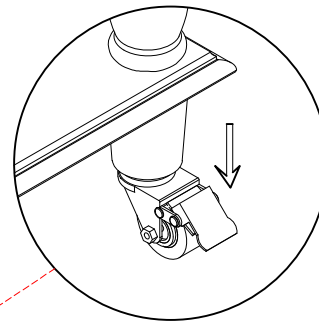
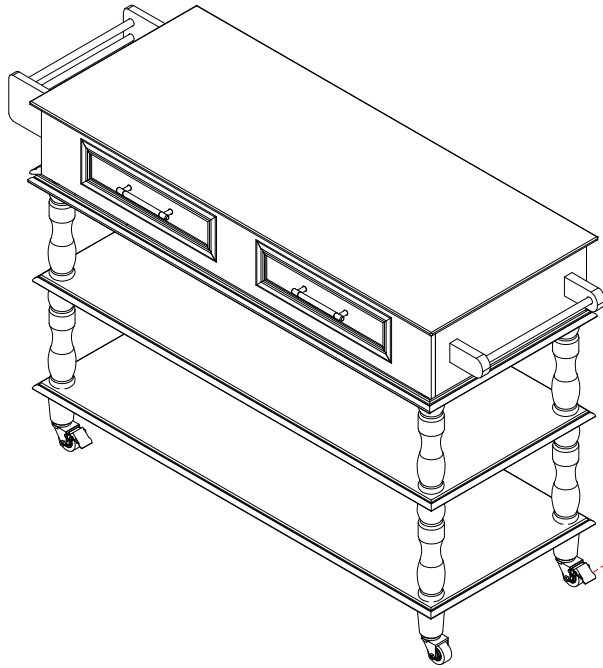


ASSEMBLY INSTRUCTION

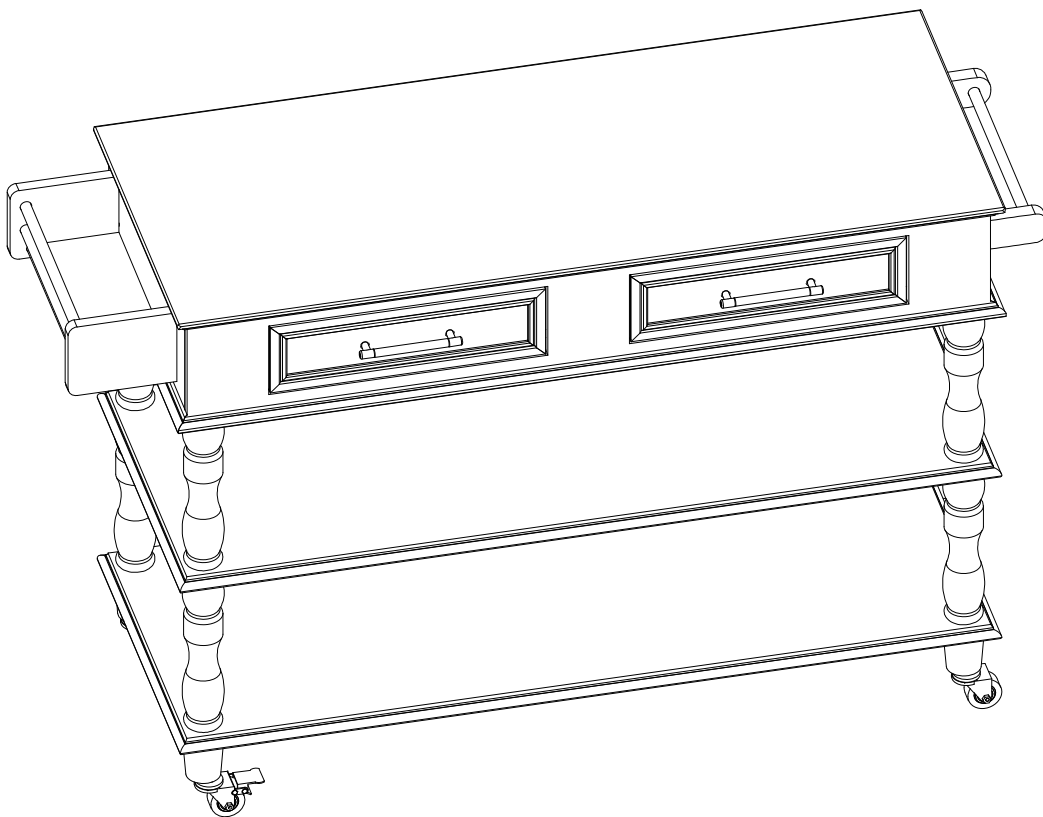
MODEL: # FSH2350

Thank you for purchasing this quality product. Be sure to check all packing material carefully for small parts which may have come loose inside the carton during shipment. Separate, identify and count all parts and metal hardware. Compare with parts list to be sure all parts are present. If any part(s) are missing or damaged, please contact your local furniture dealer. For efficient and speedy service, please indicate the model number and code letter of part(s) needed.

*** Do not fully tighten screws until fully assembled ***



LOCK WHEEL



COMPLETED !