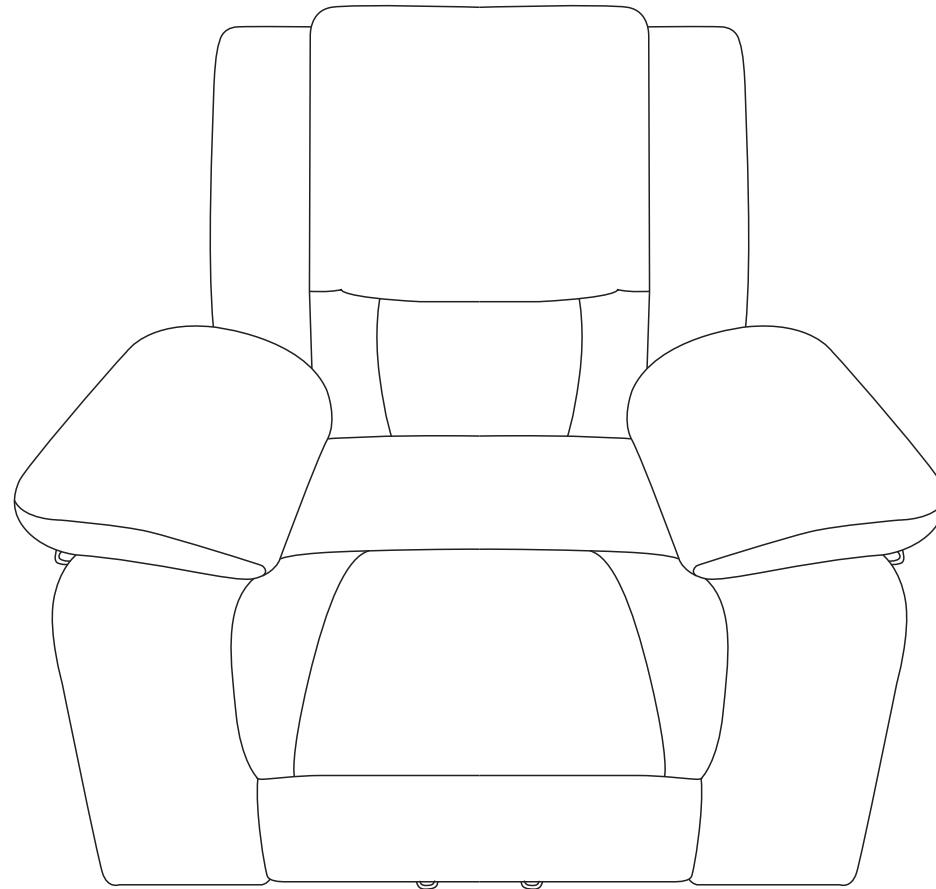
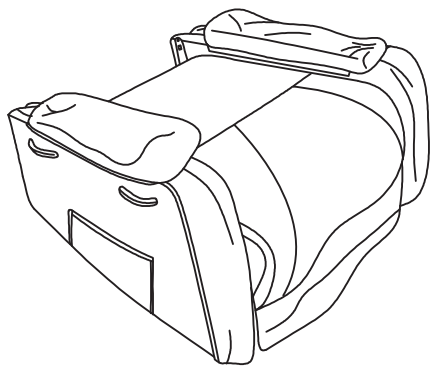
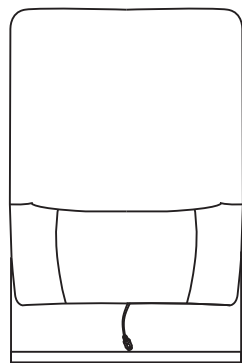


# ASSEMBLY INSTRUCTION

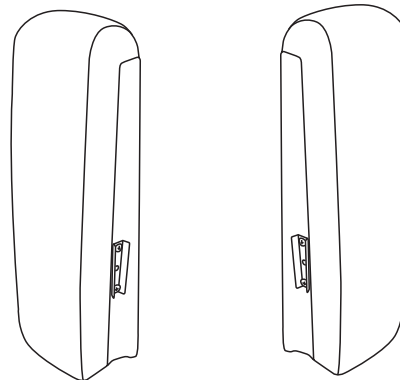




**A**  
seat



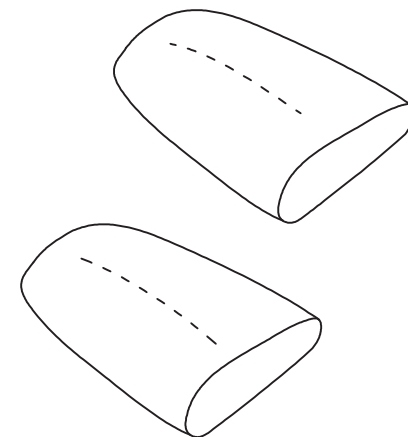
**B**  
back



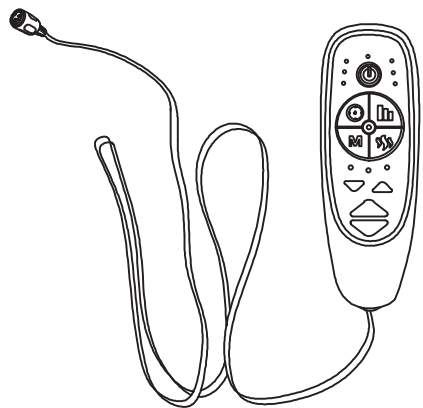
C-1

C-2

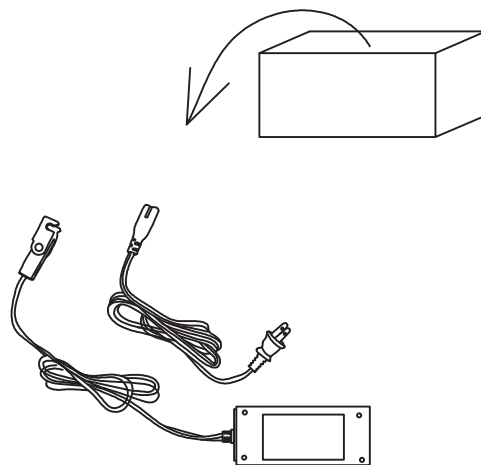
back ears



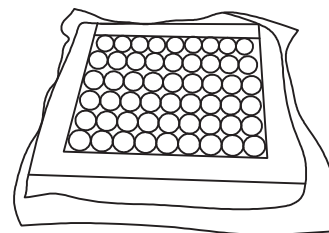
**D**  
arm pads



**E**  
switch



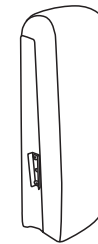
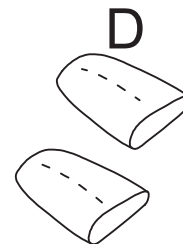
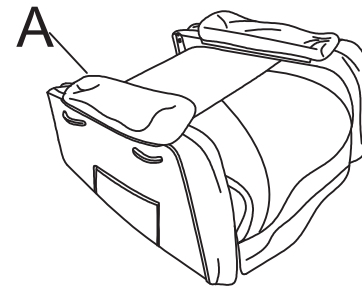
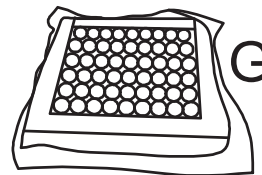
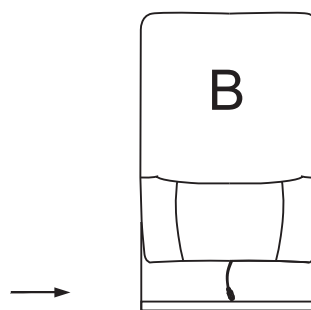
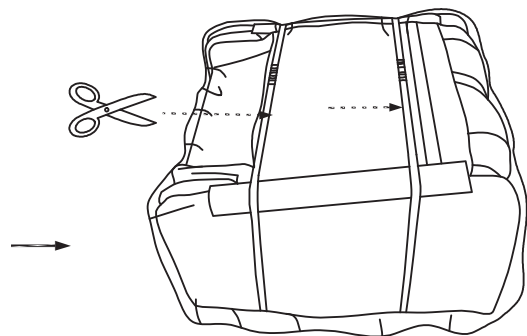
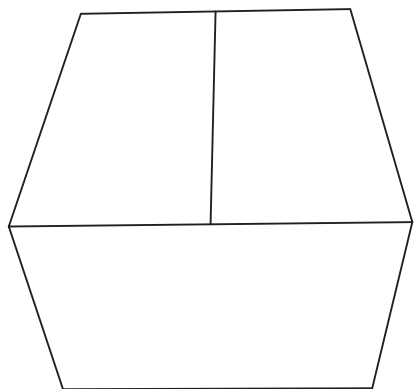
**F**  
adaptor and plug



**G**  
spring pocket

1

Open the carton, cut off pack tape, and take out each part.



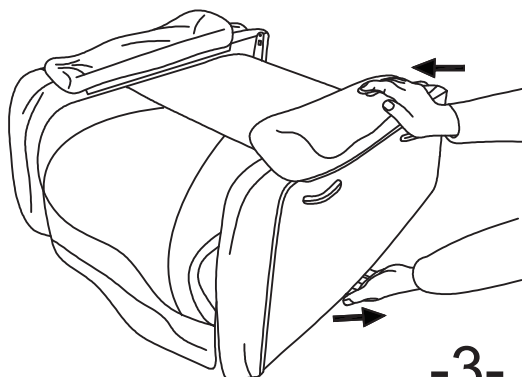
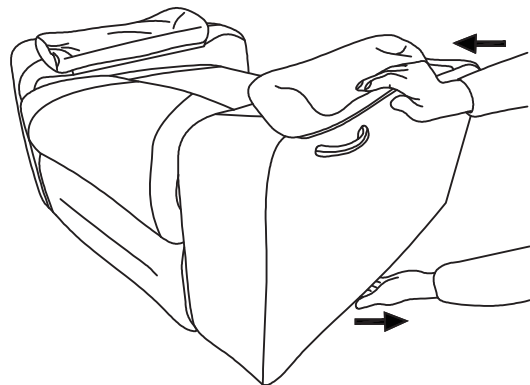
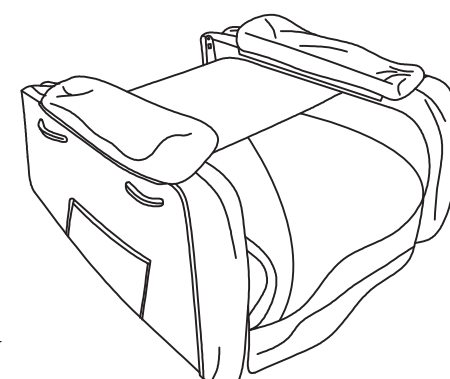
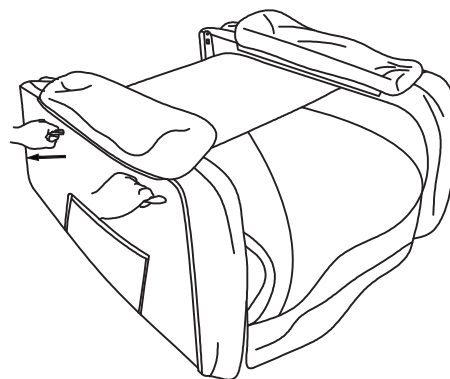
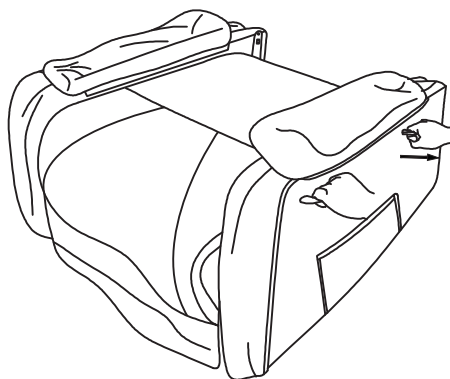
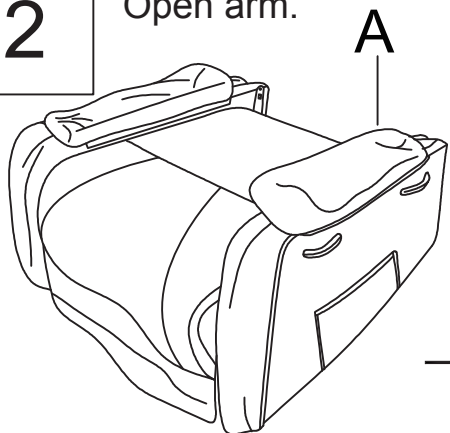
C-1

C-2

2

Open arm.

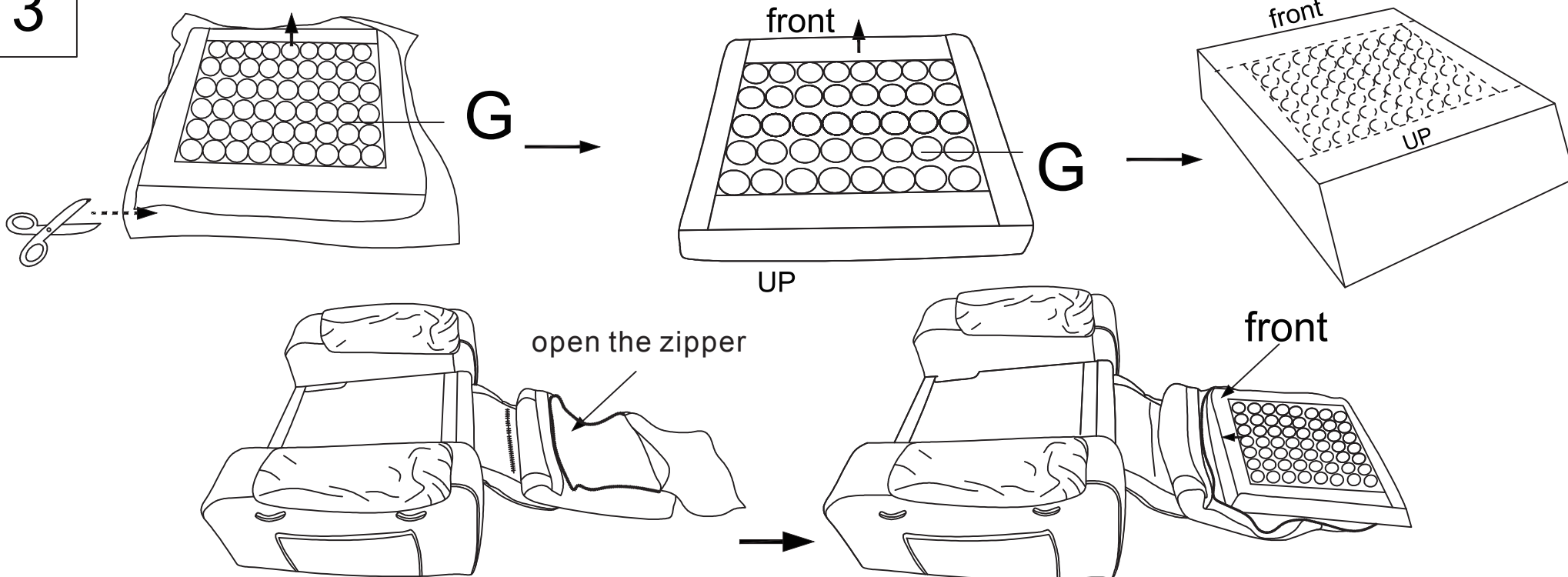
Pull hard



hold the handle of the arm and pull hard to make it stretch out, when you need fold it pull hard from the bottom and push the top at the same time

3

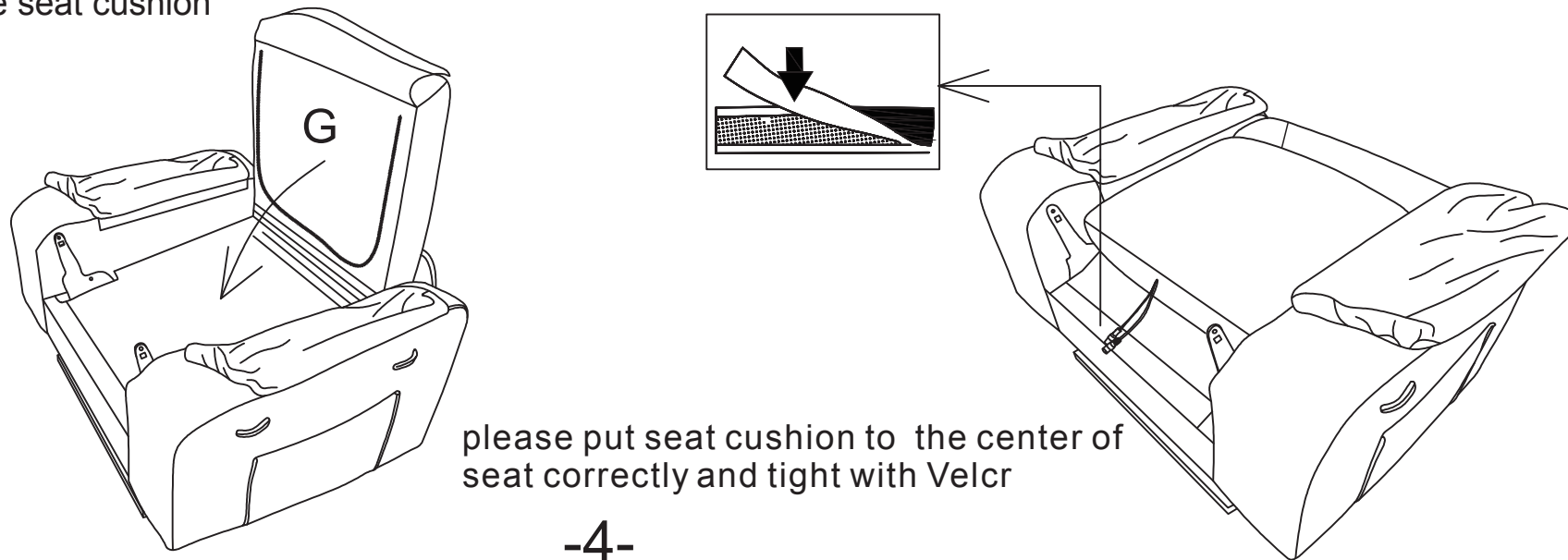
Open the compressed bag and install the seat cushion.



please put coil springs bag into seat cushion and zipper, then put whole seat cushion to the center of seat base

4

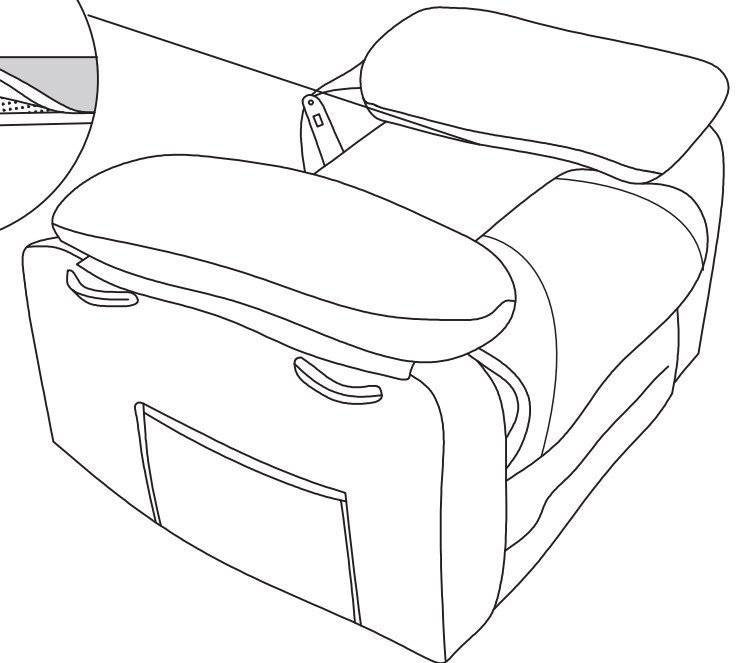
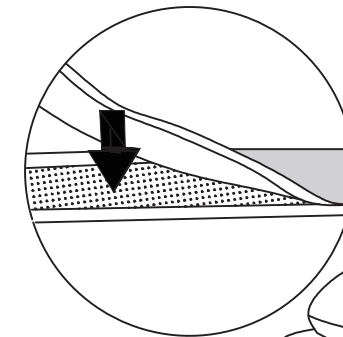
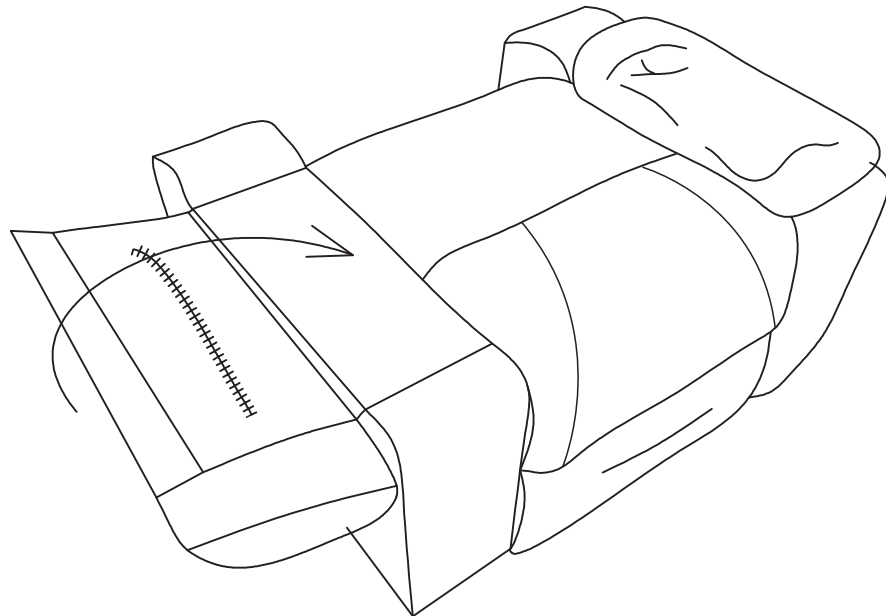
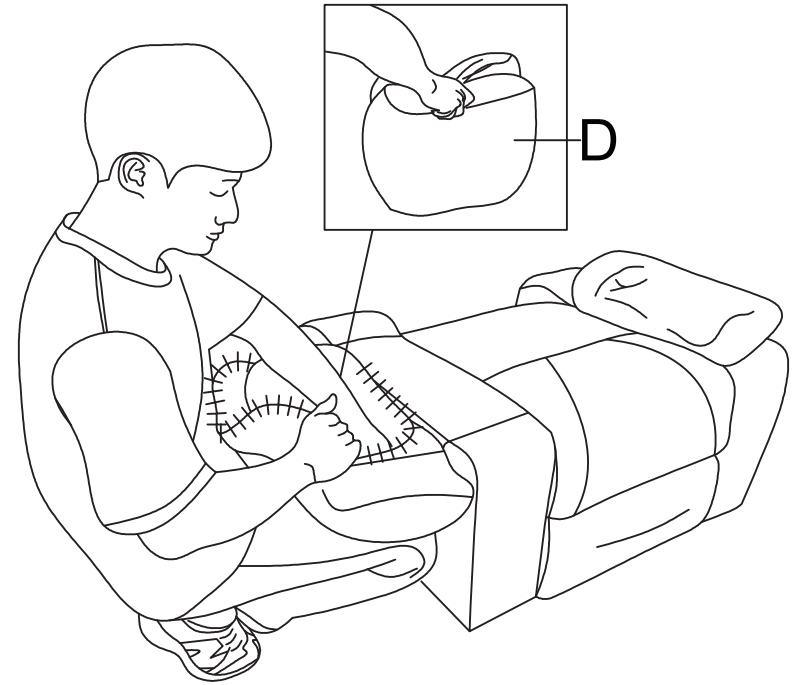
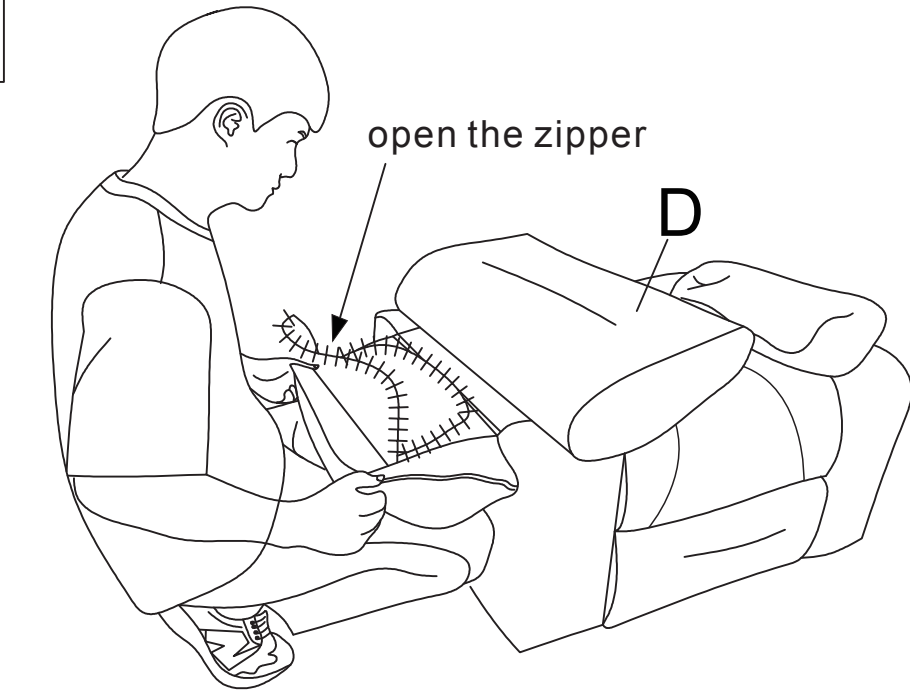
Assemble the seat cushion



please put seat cushion to the center of seat correctly and tight with Velcr

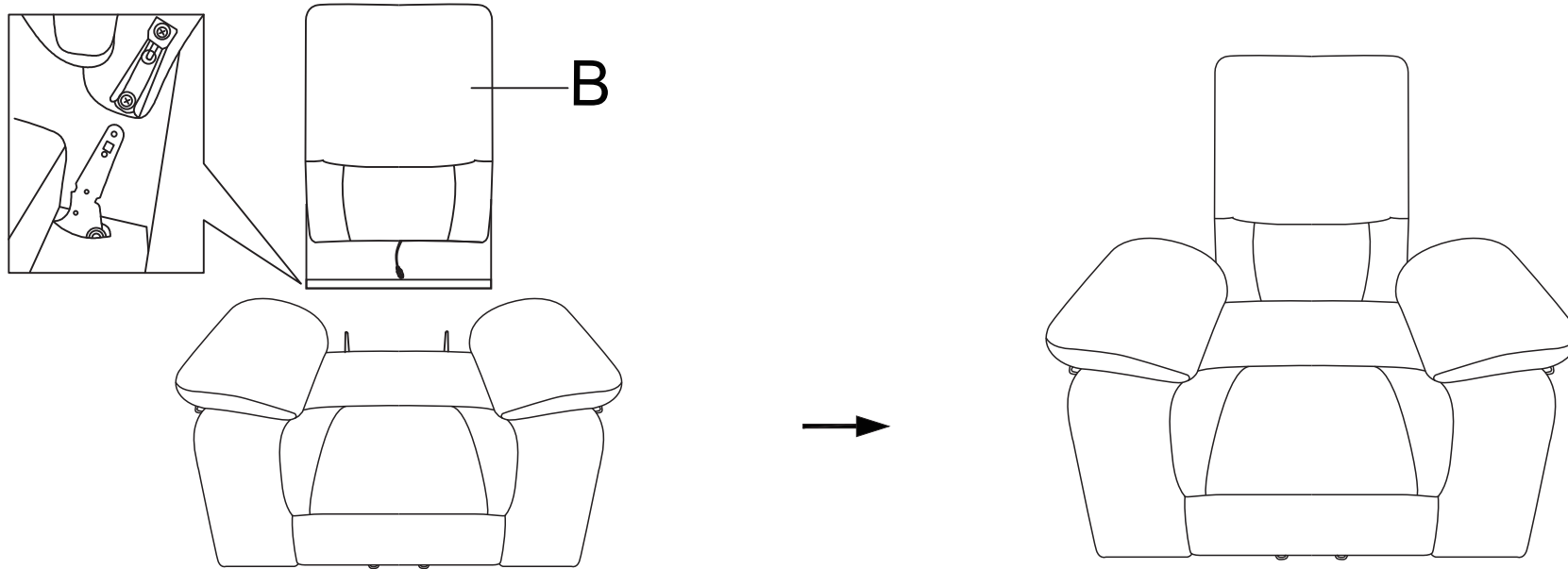
5

Assemble armrest .



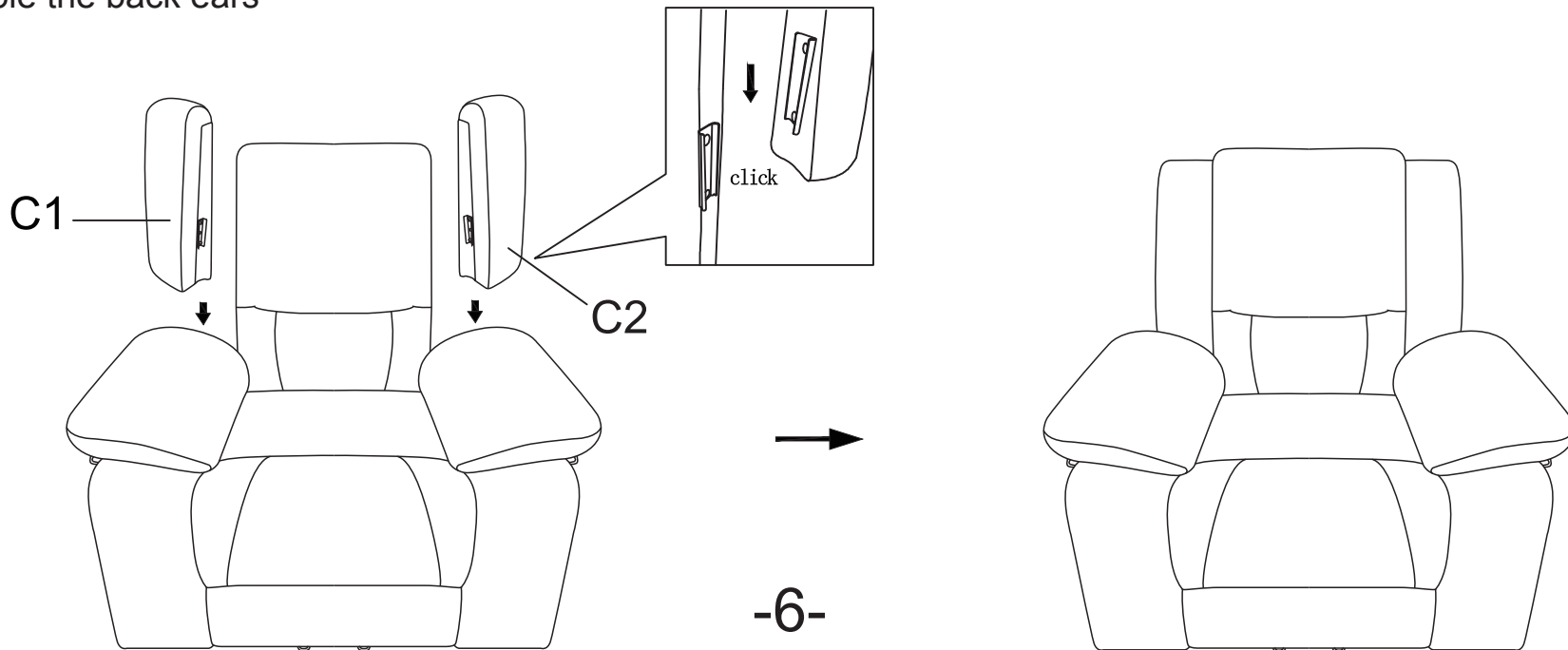
6

Assemble the backrest.



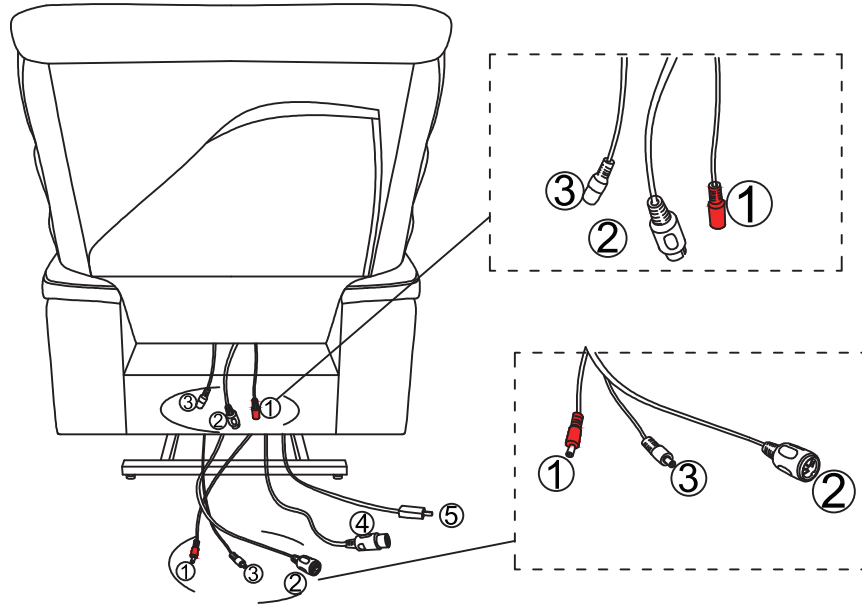
7

Assemble the back ears



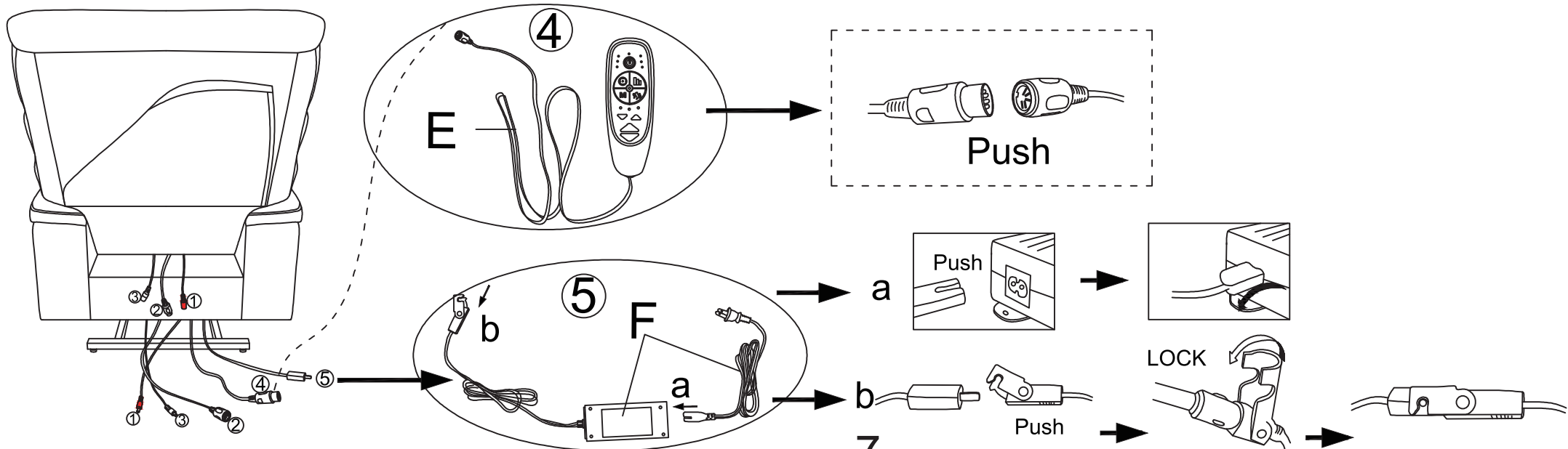
# 8-1

Connect the cord accordingly.

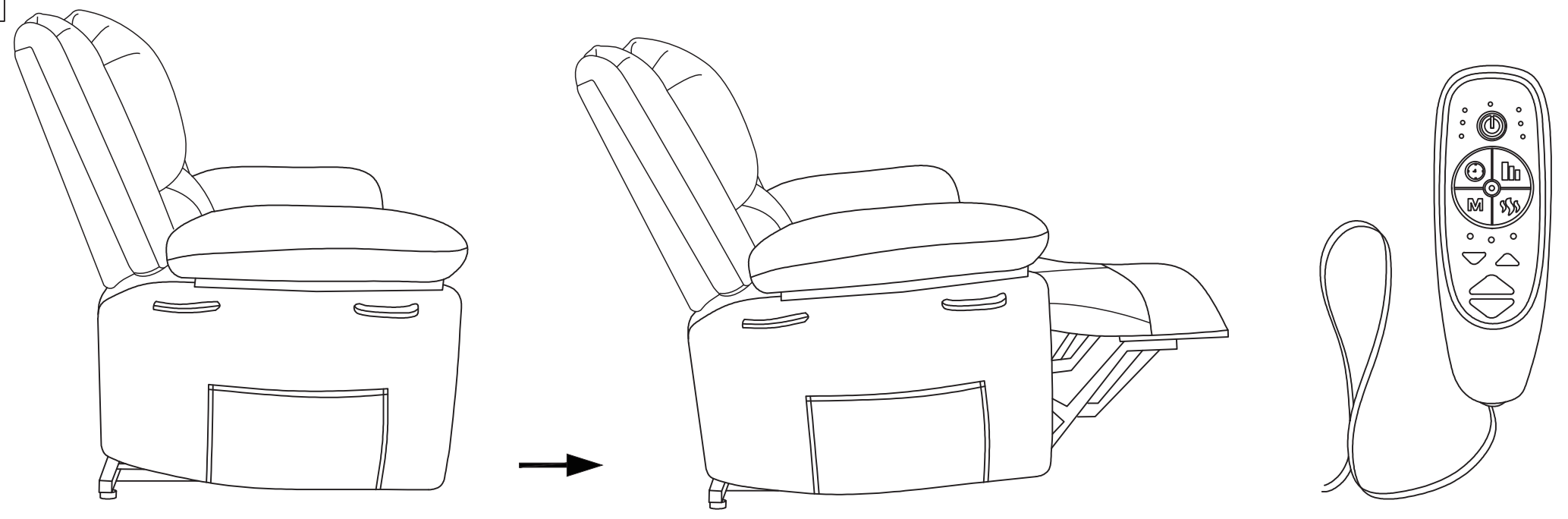


# 8-2

Connect the cord accordingly.



**9-1** The function introduction



**9-2** The function introduction

