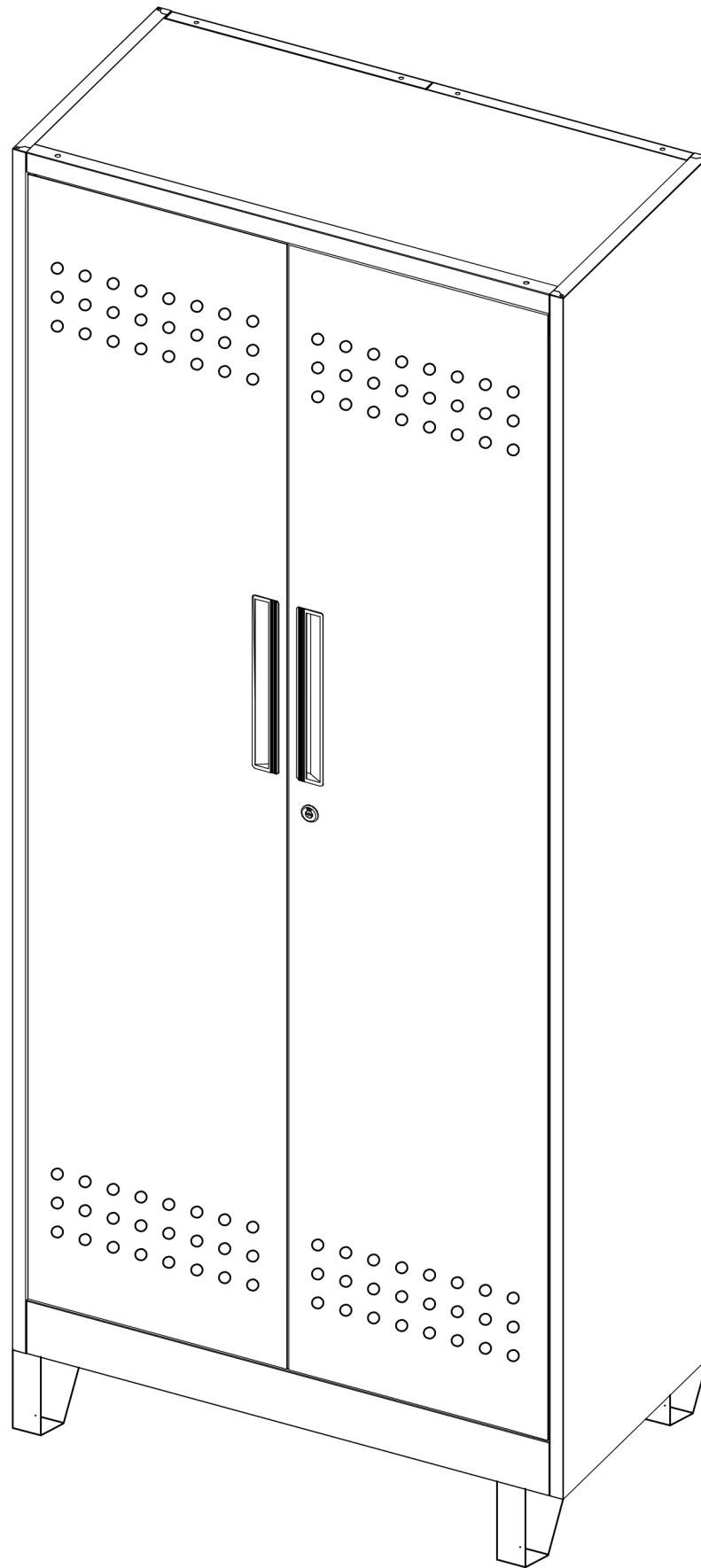
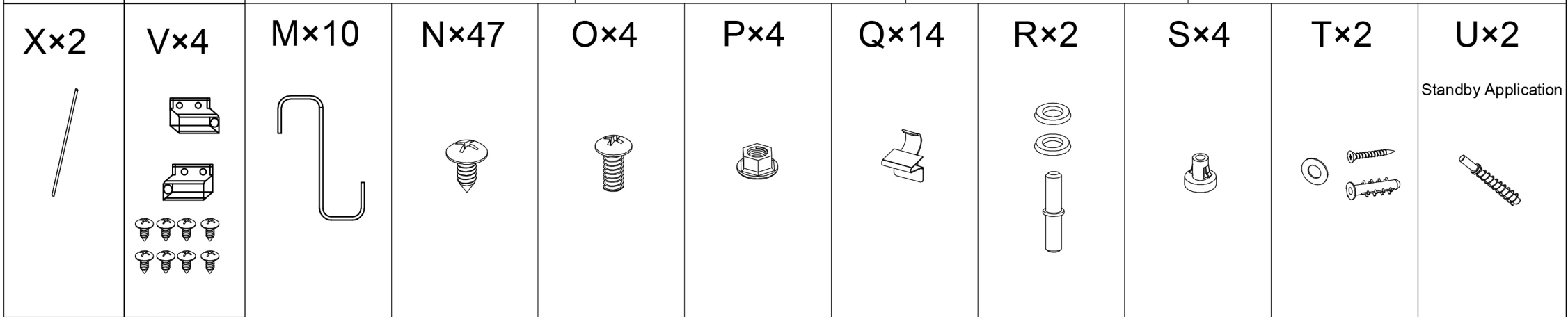
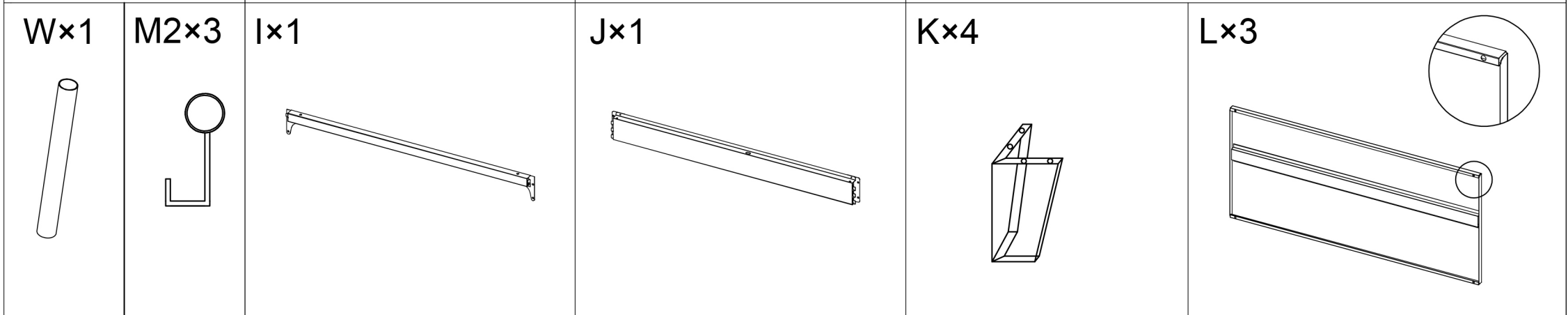
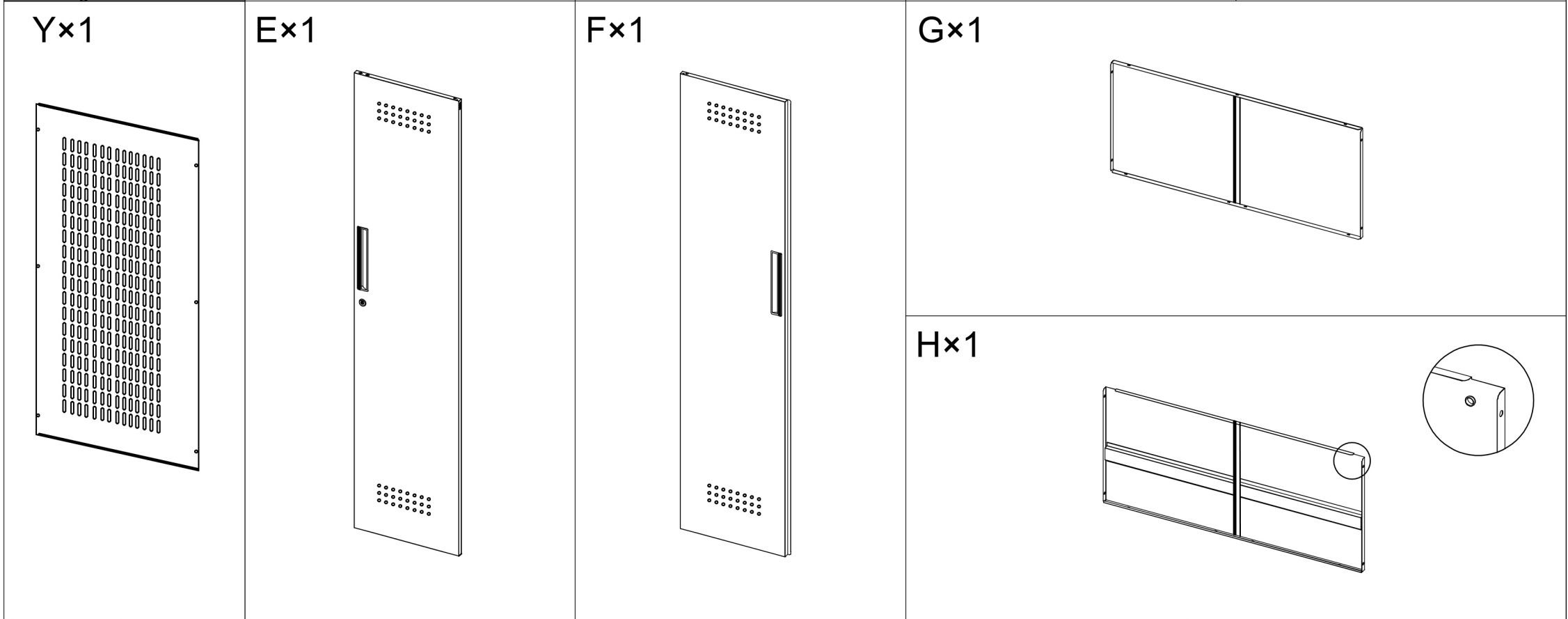
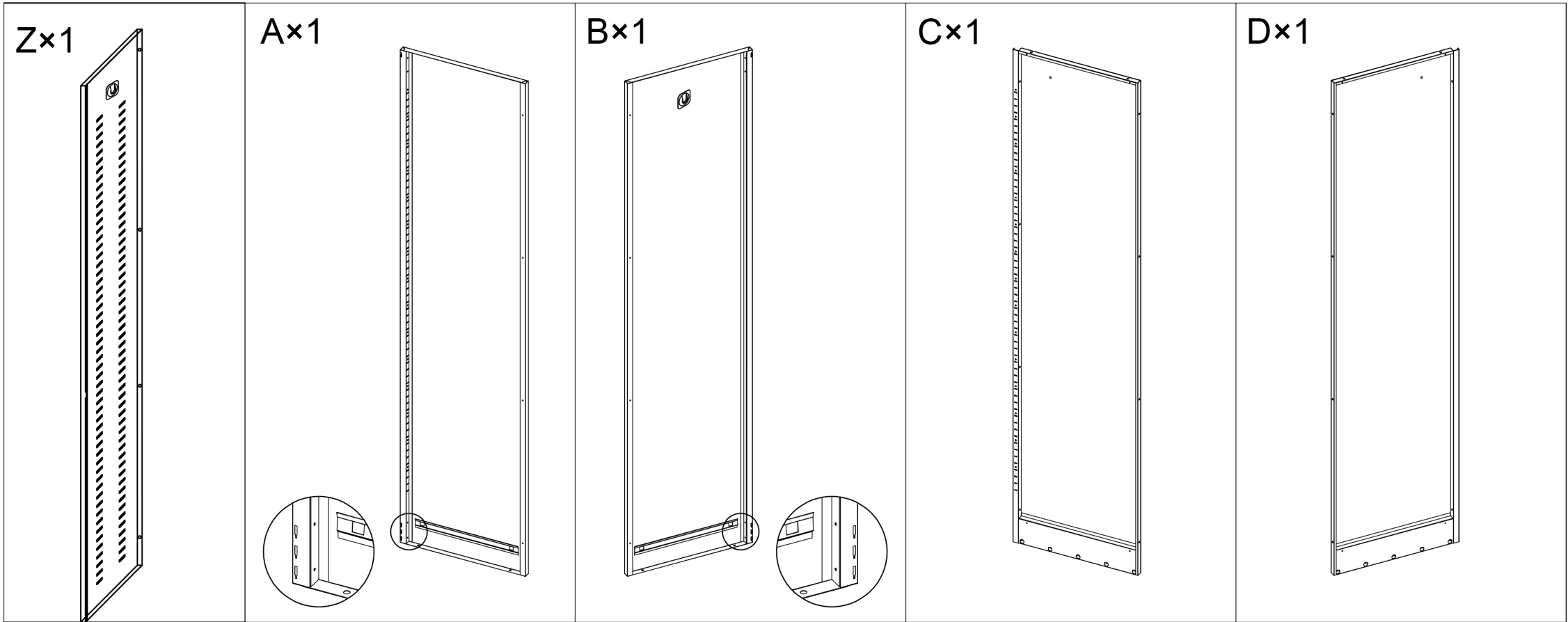
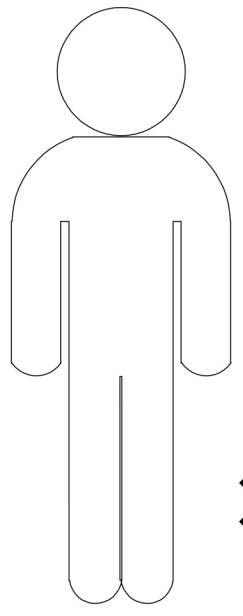
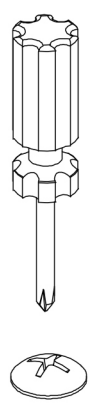
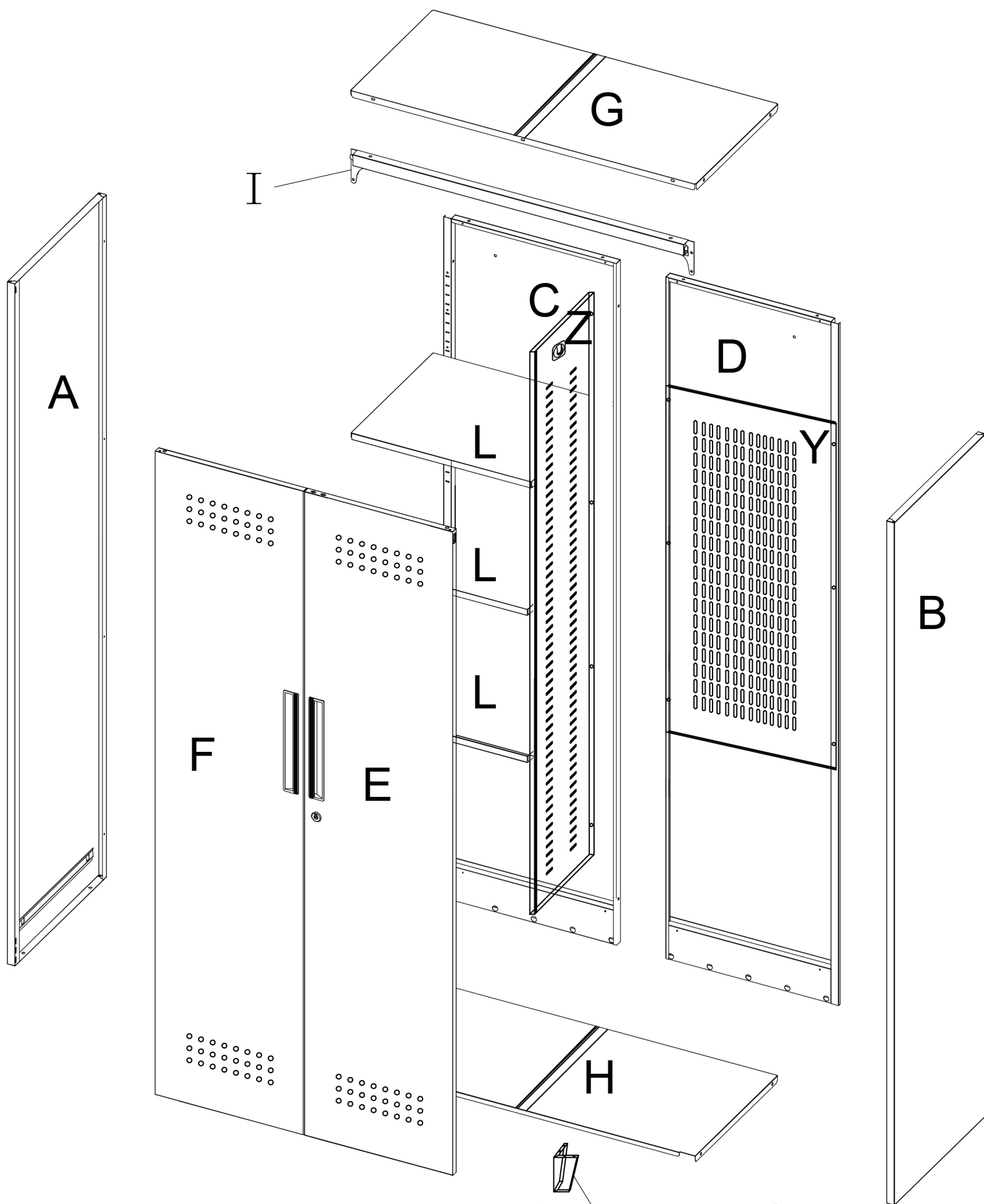


Thanks for choosing our goods. Before Install the goods must readcarefully on our install manual or check our install video on ourshop. If still have install problem or other things can contact ourafter-sales team

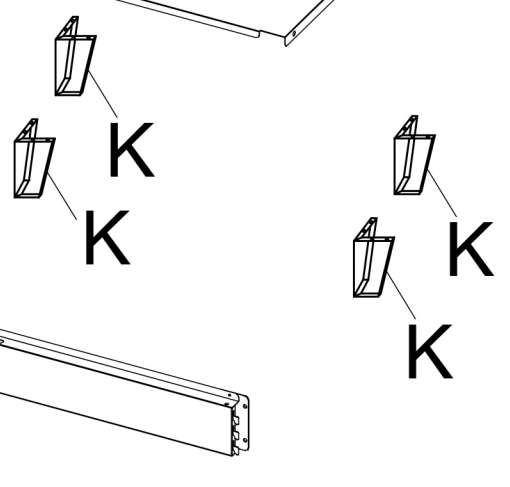


Please scan the QR code to check the assemble video

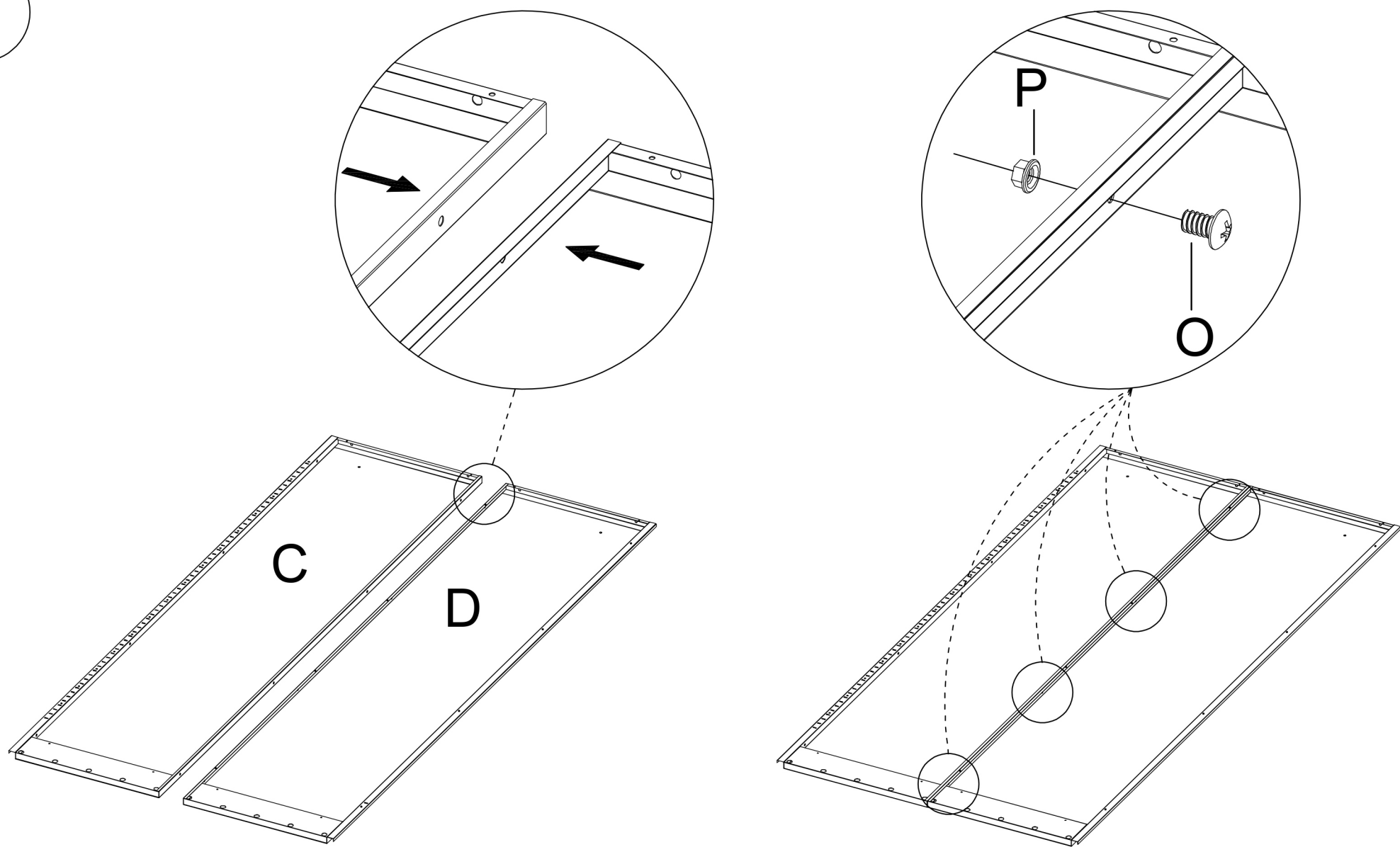




x2

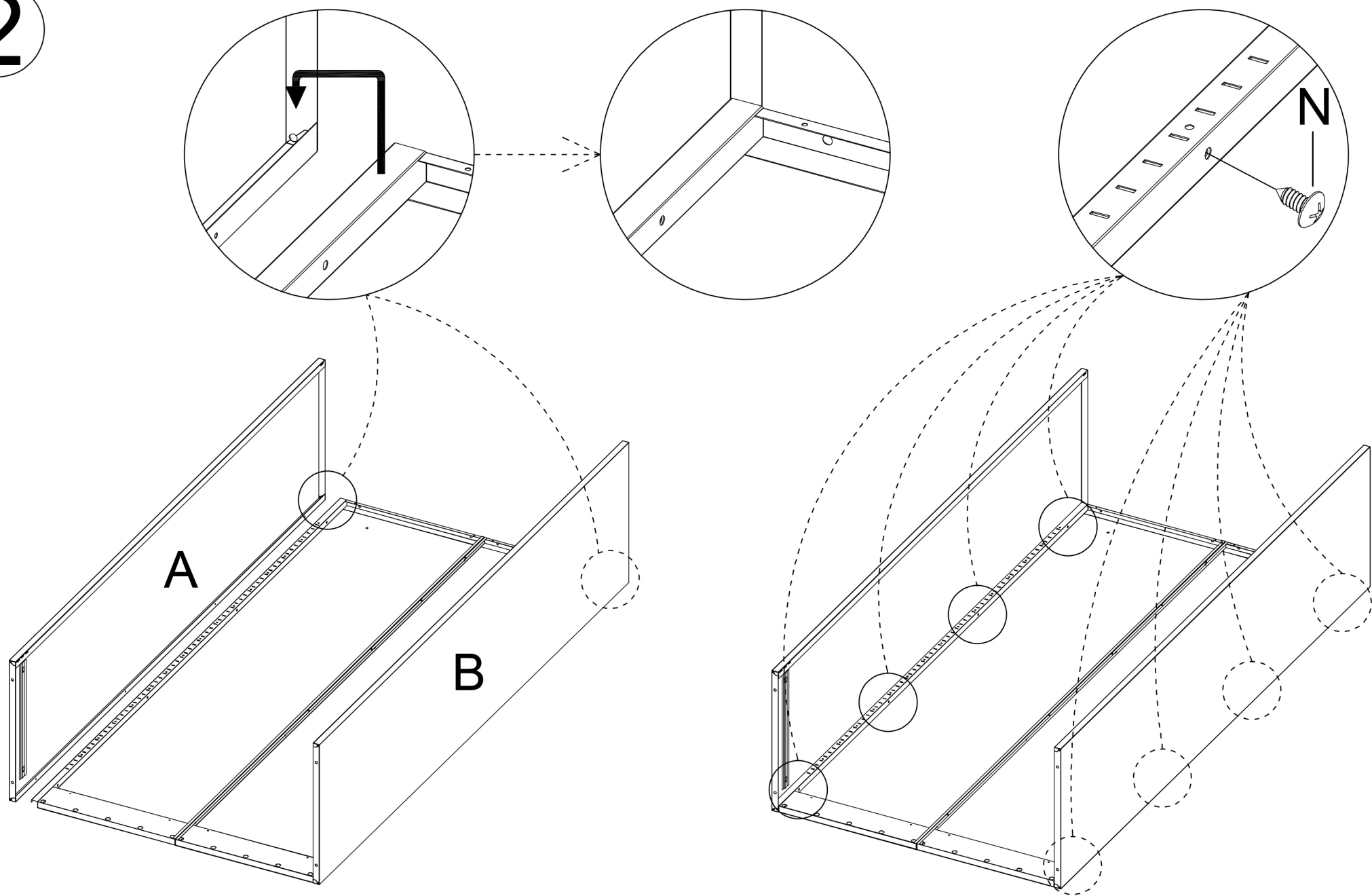


1



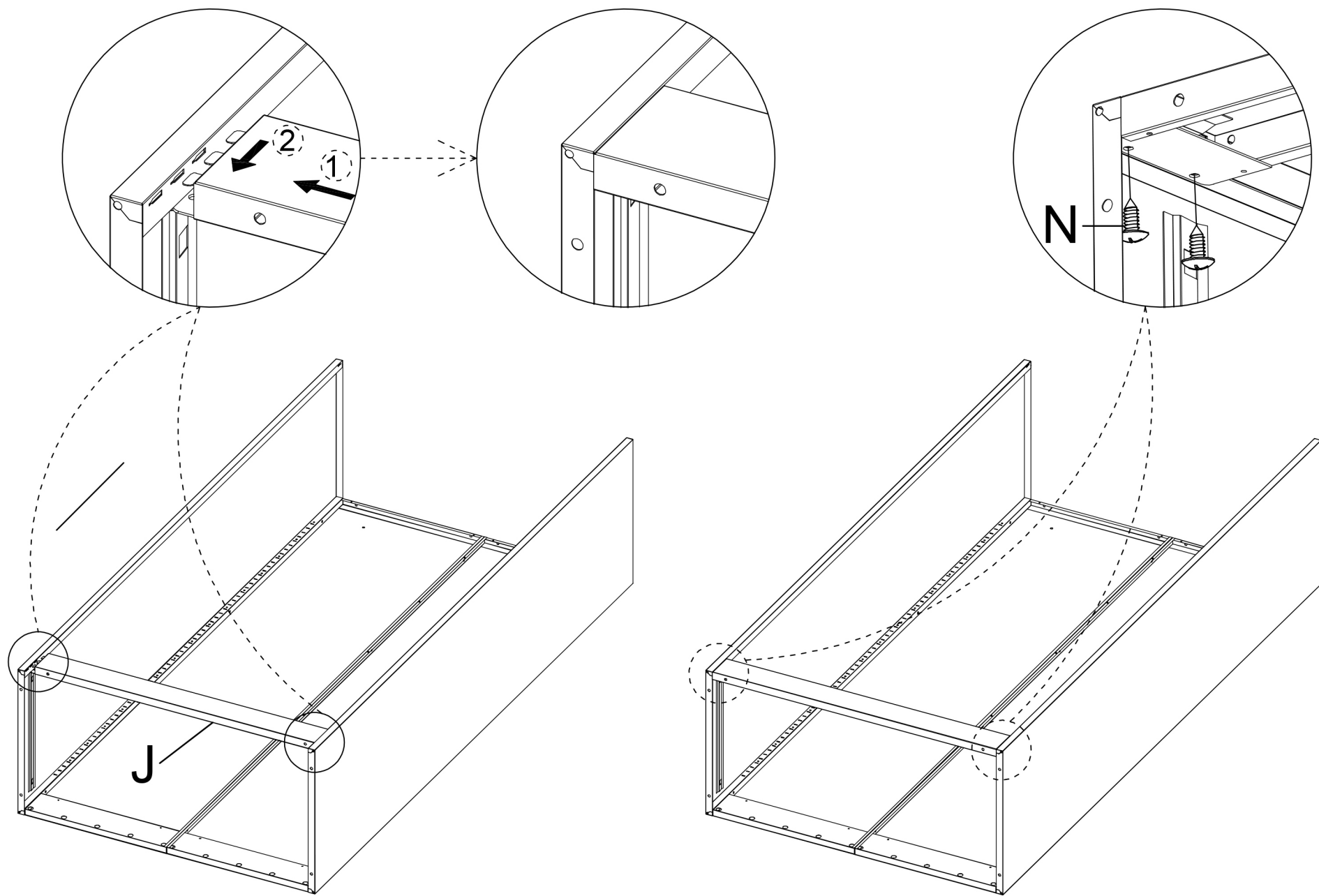
Ox4 Px4

2



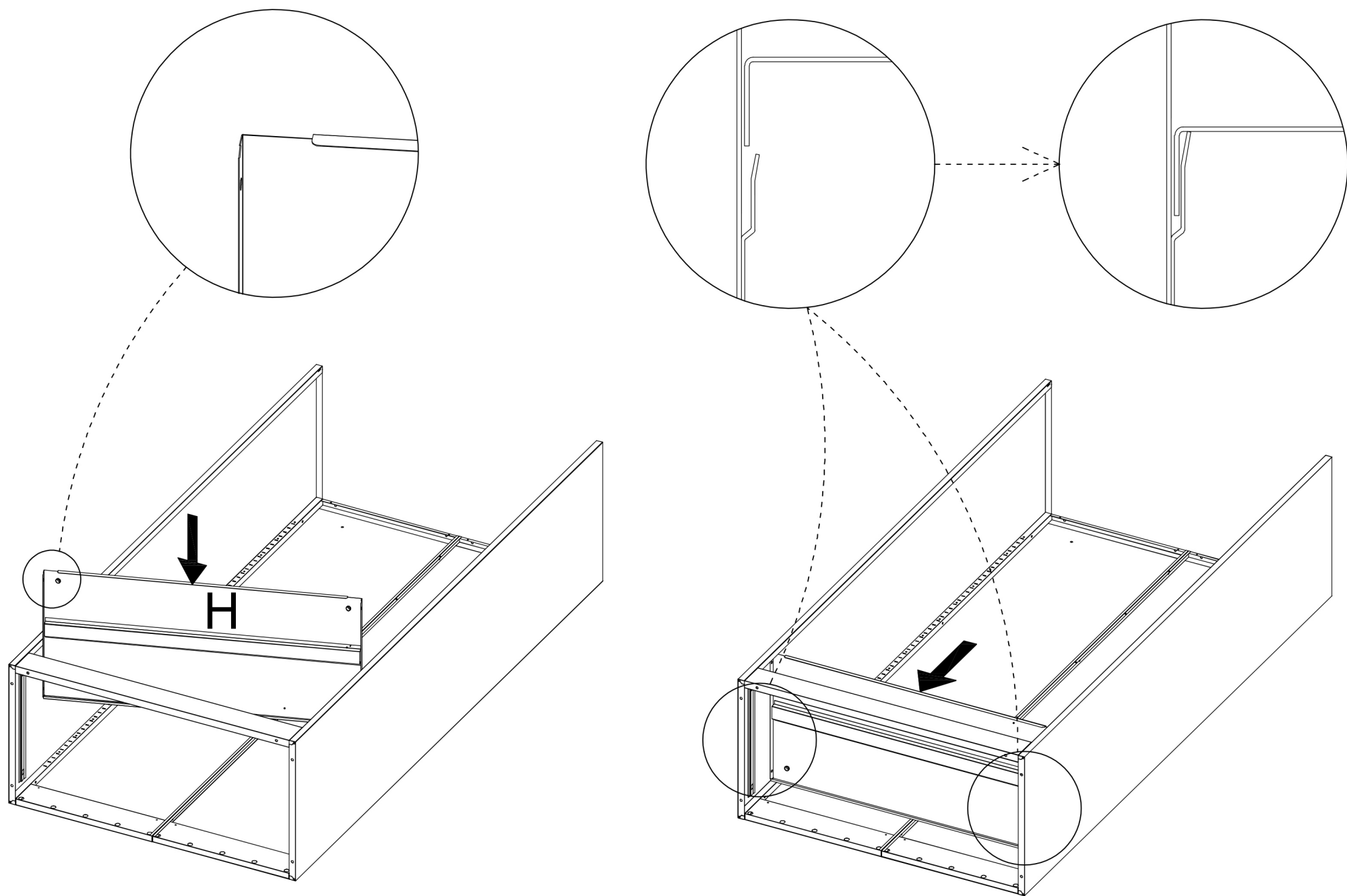
Nx8

3

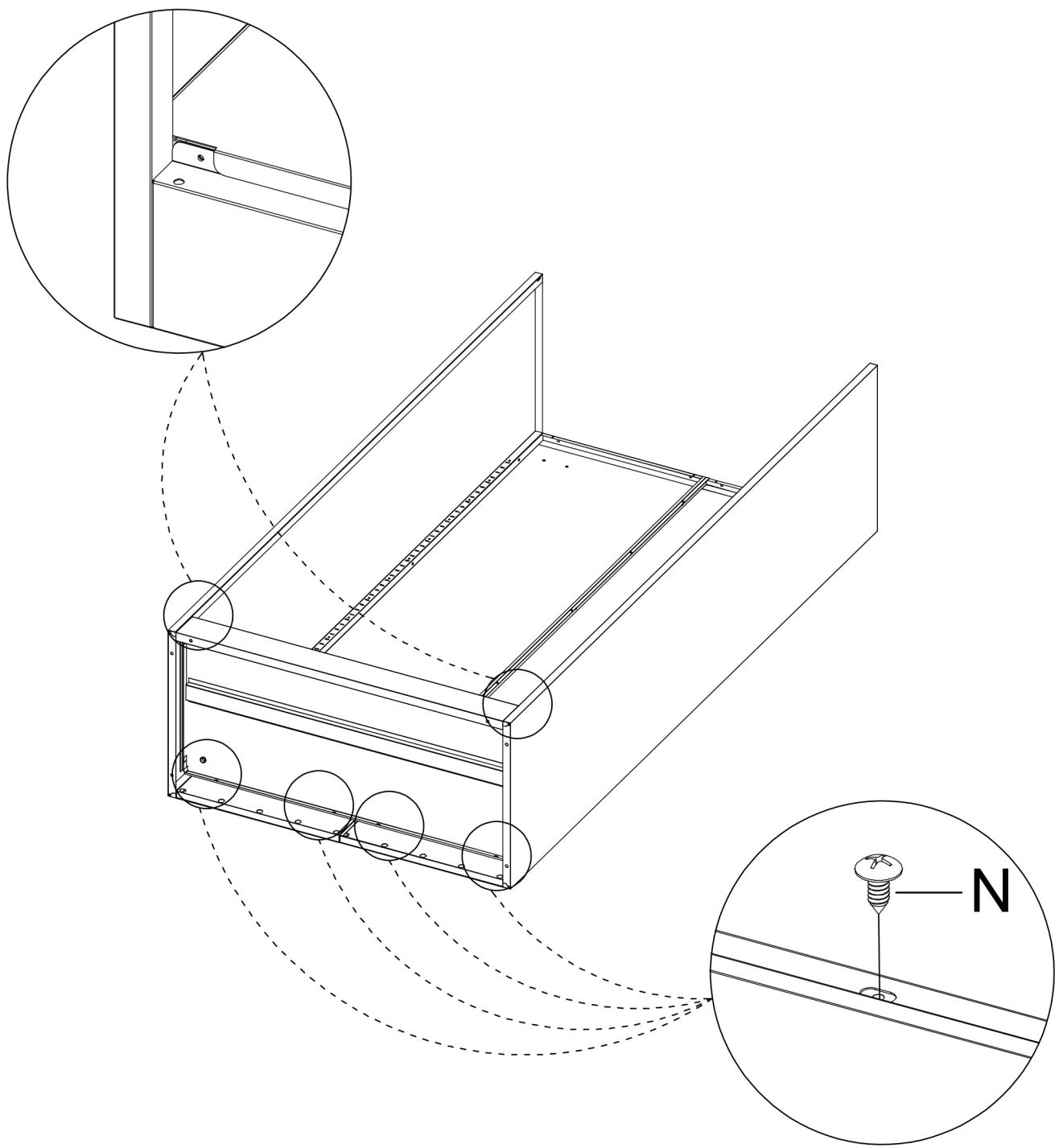


N×4

4

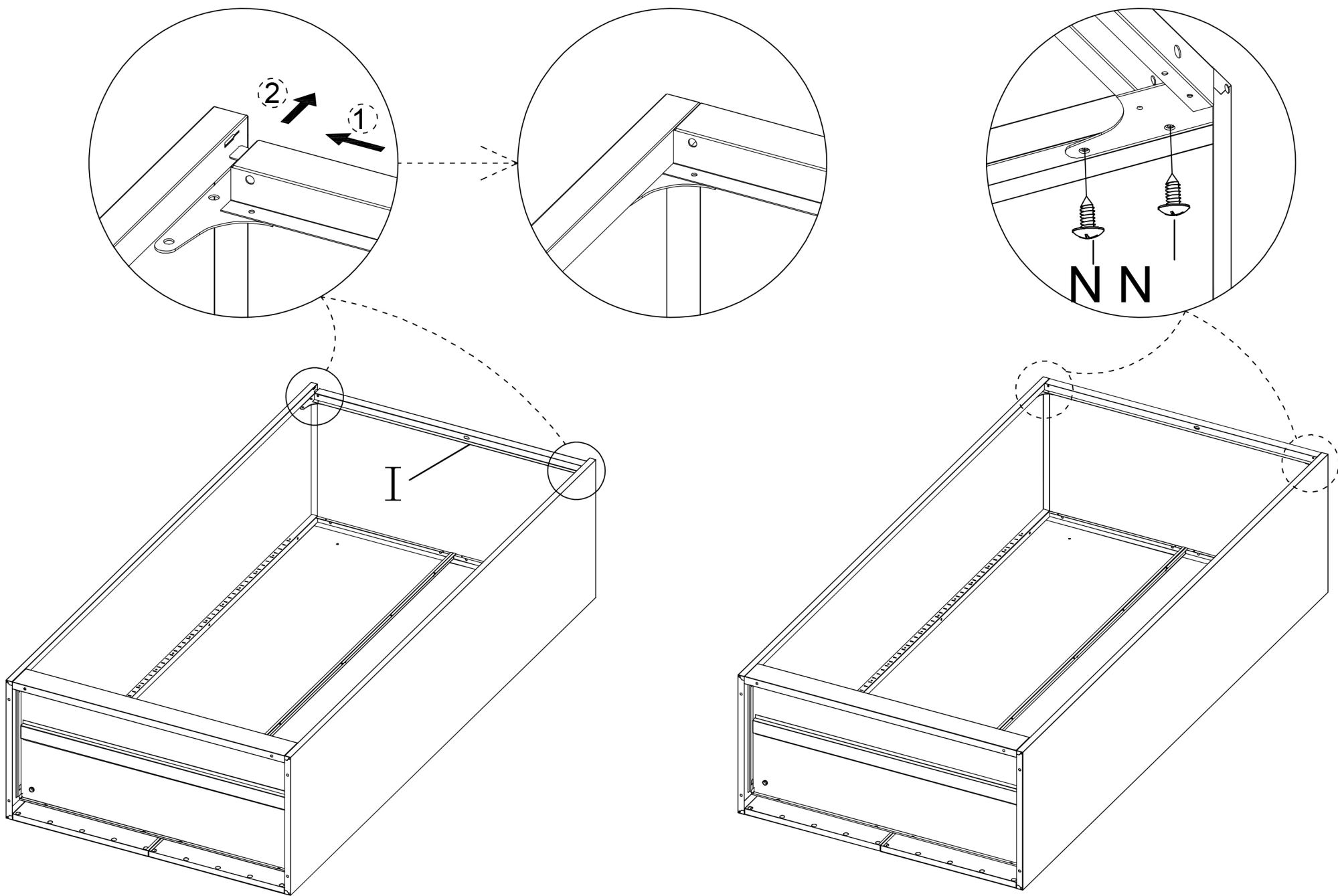


5



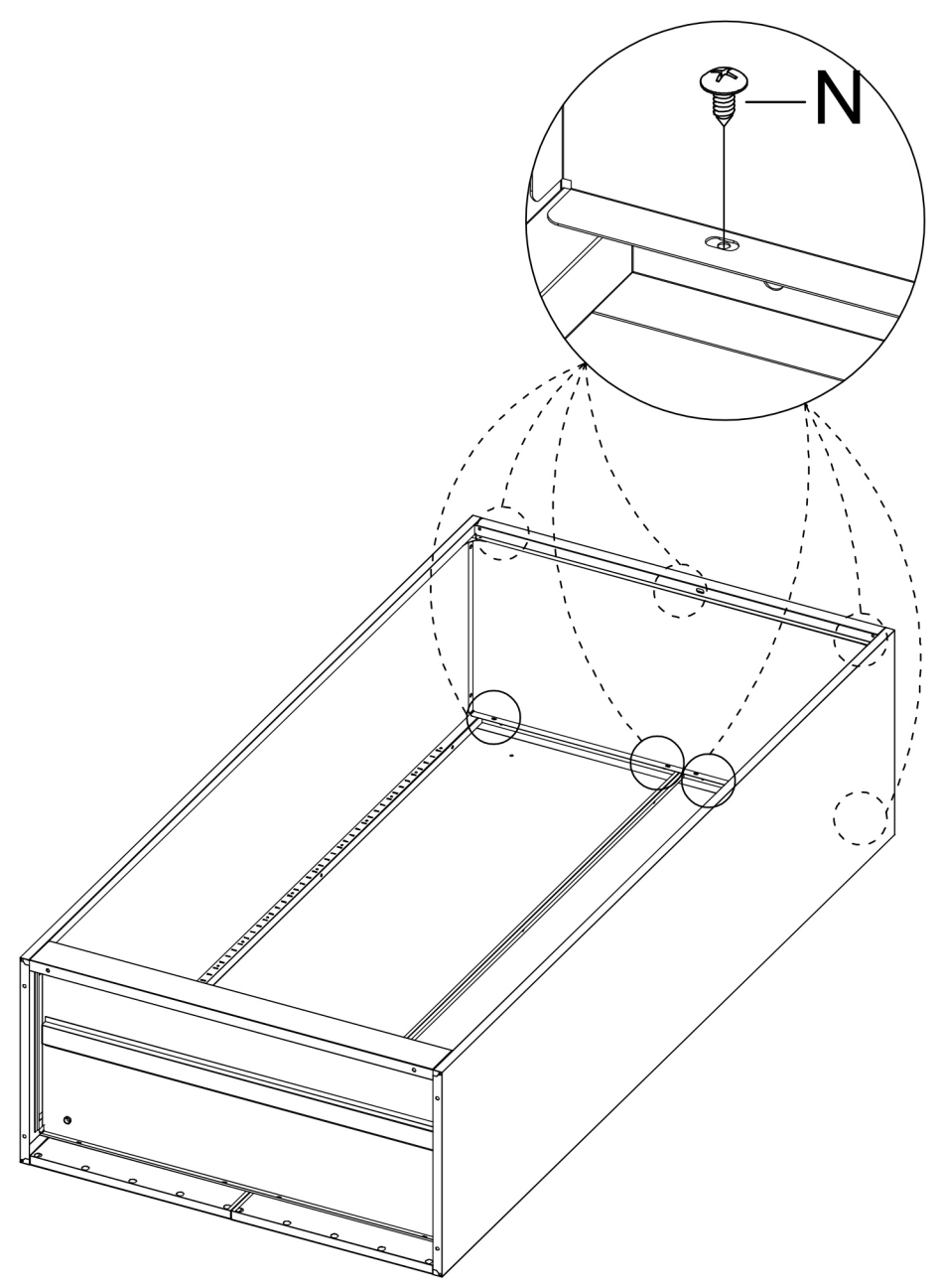
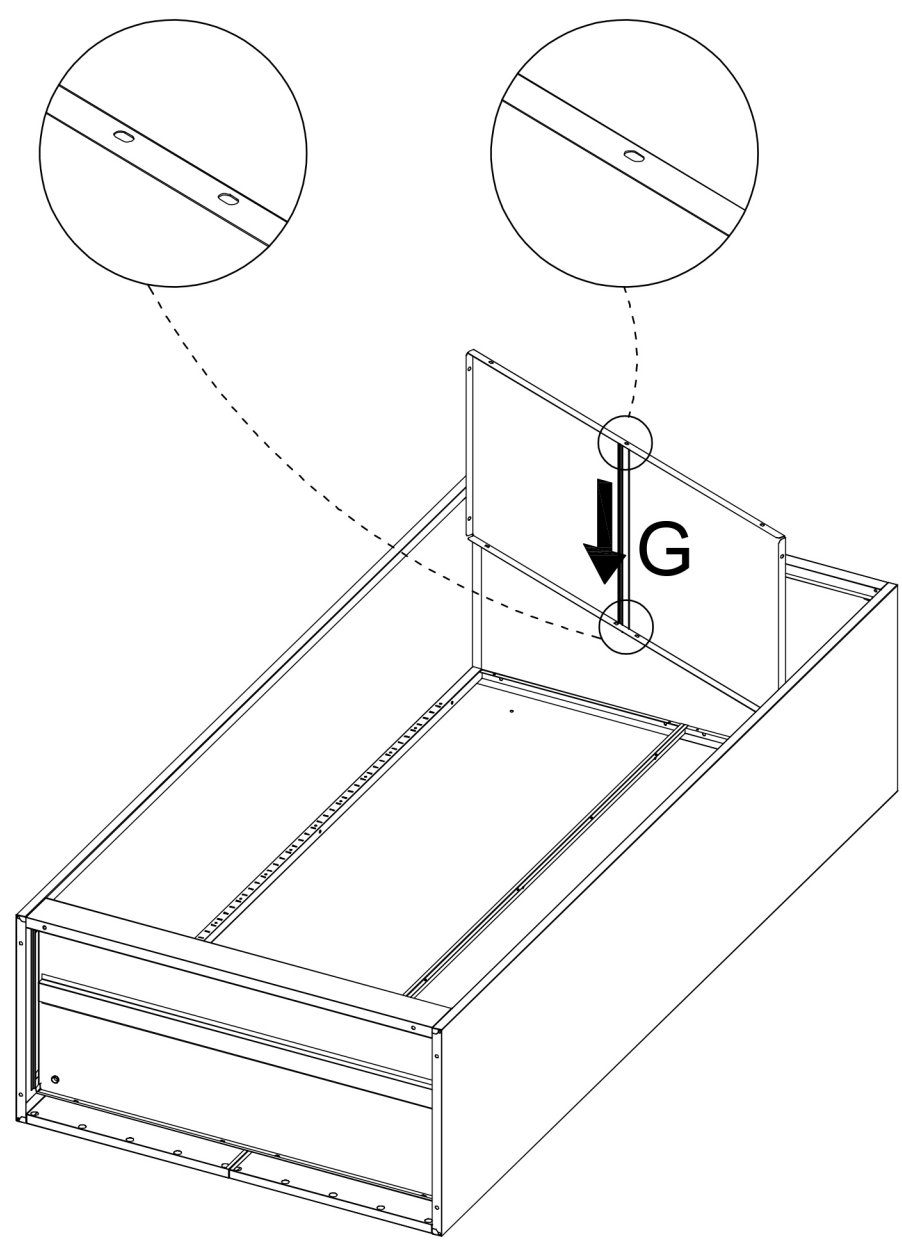
Nx2

6



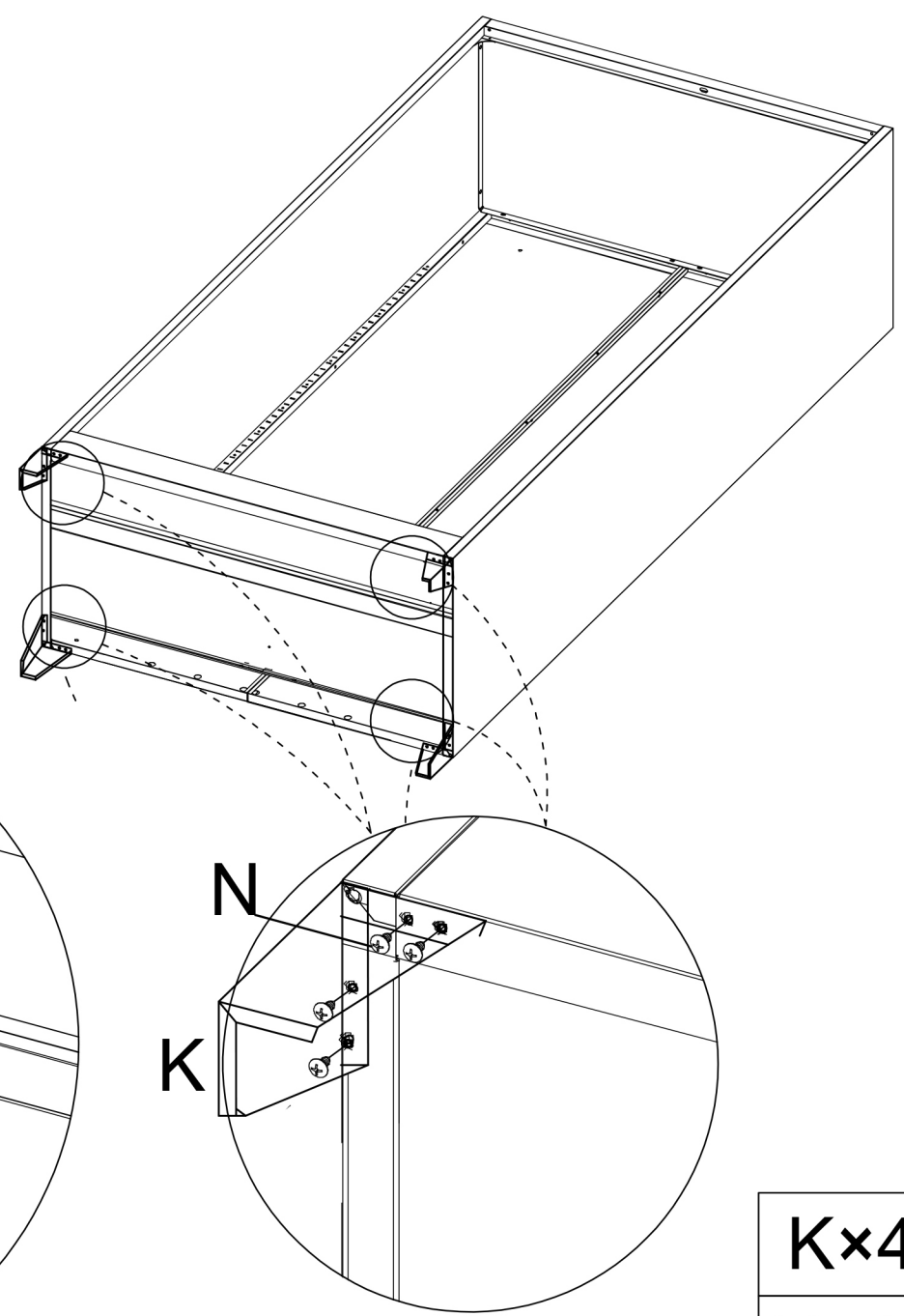
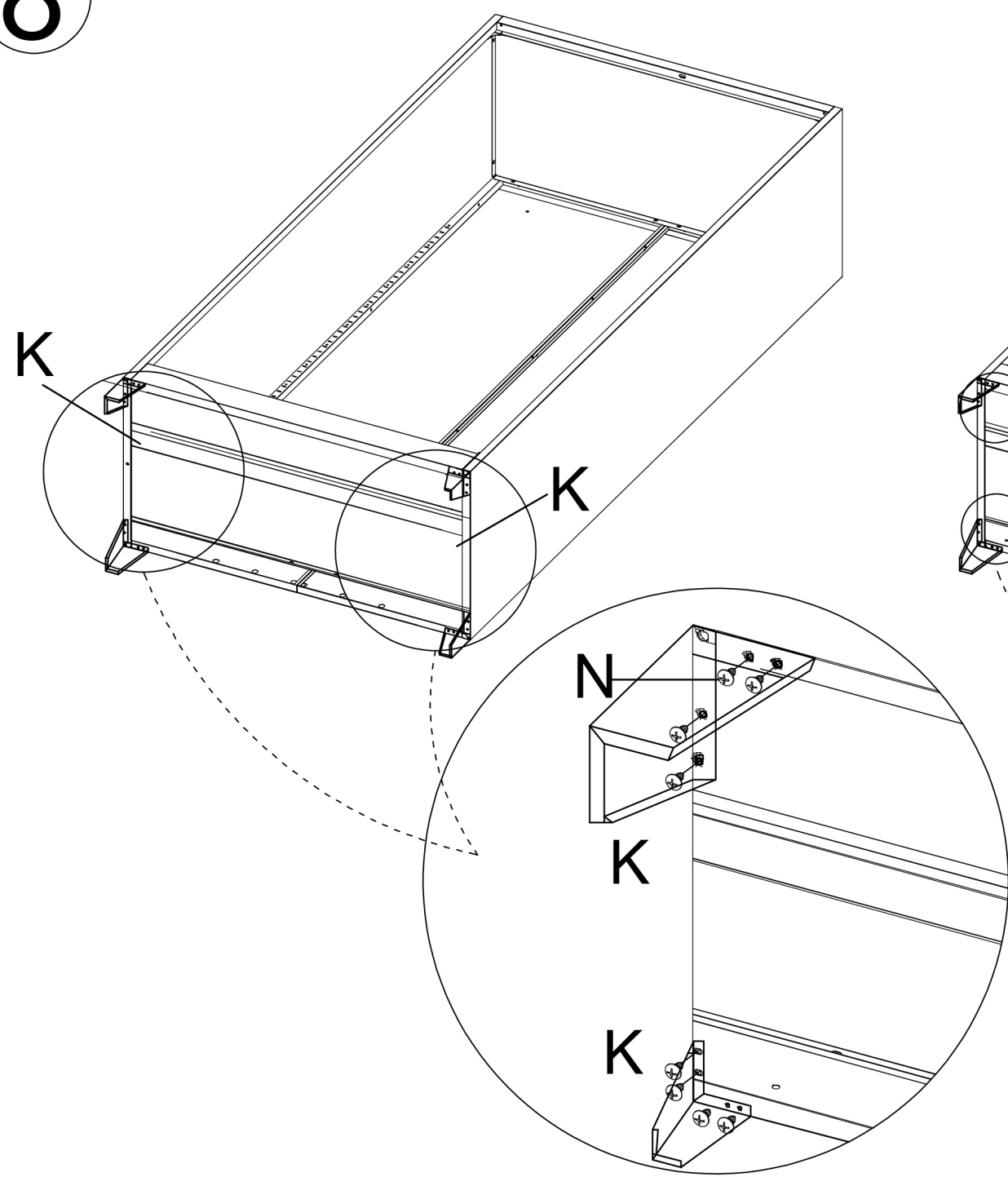
Nx4

7



N×4

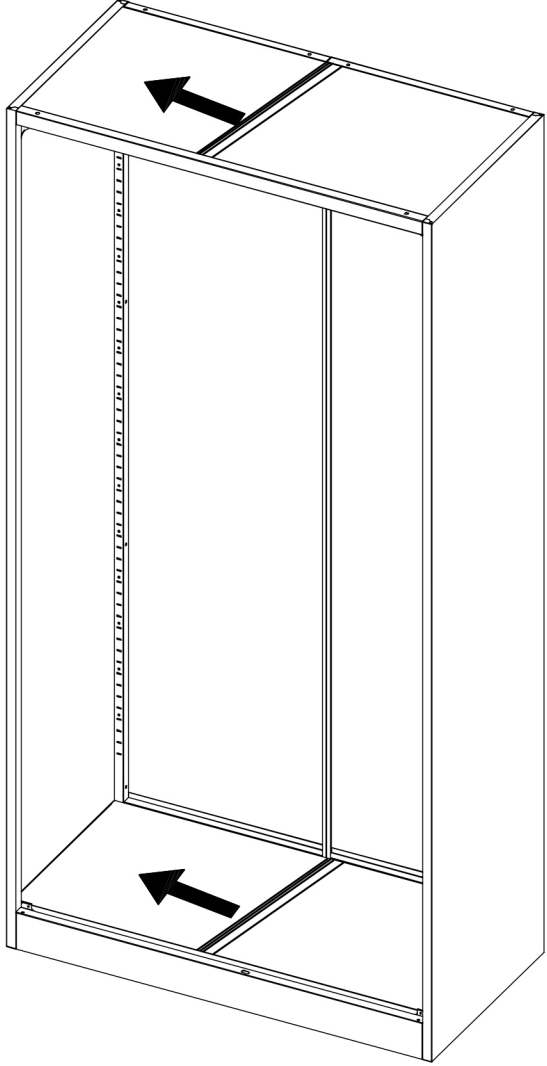
8



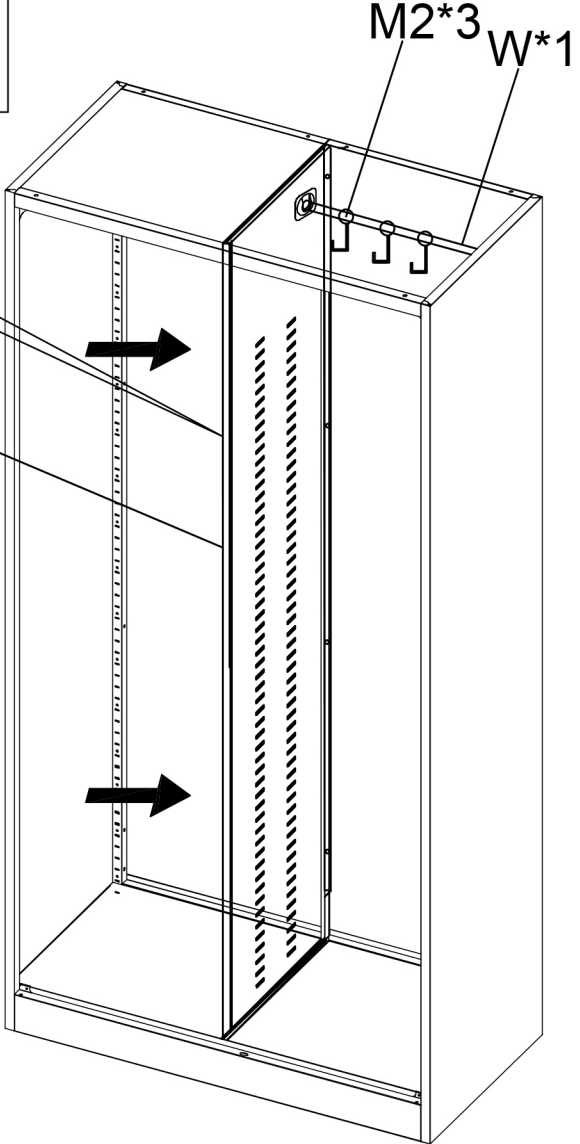
K×4
N×16

9

Install from left to right

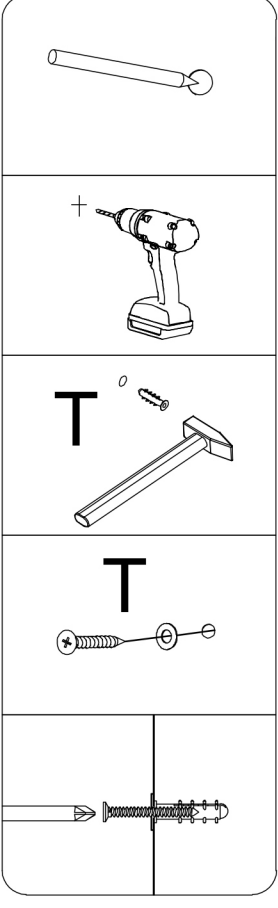
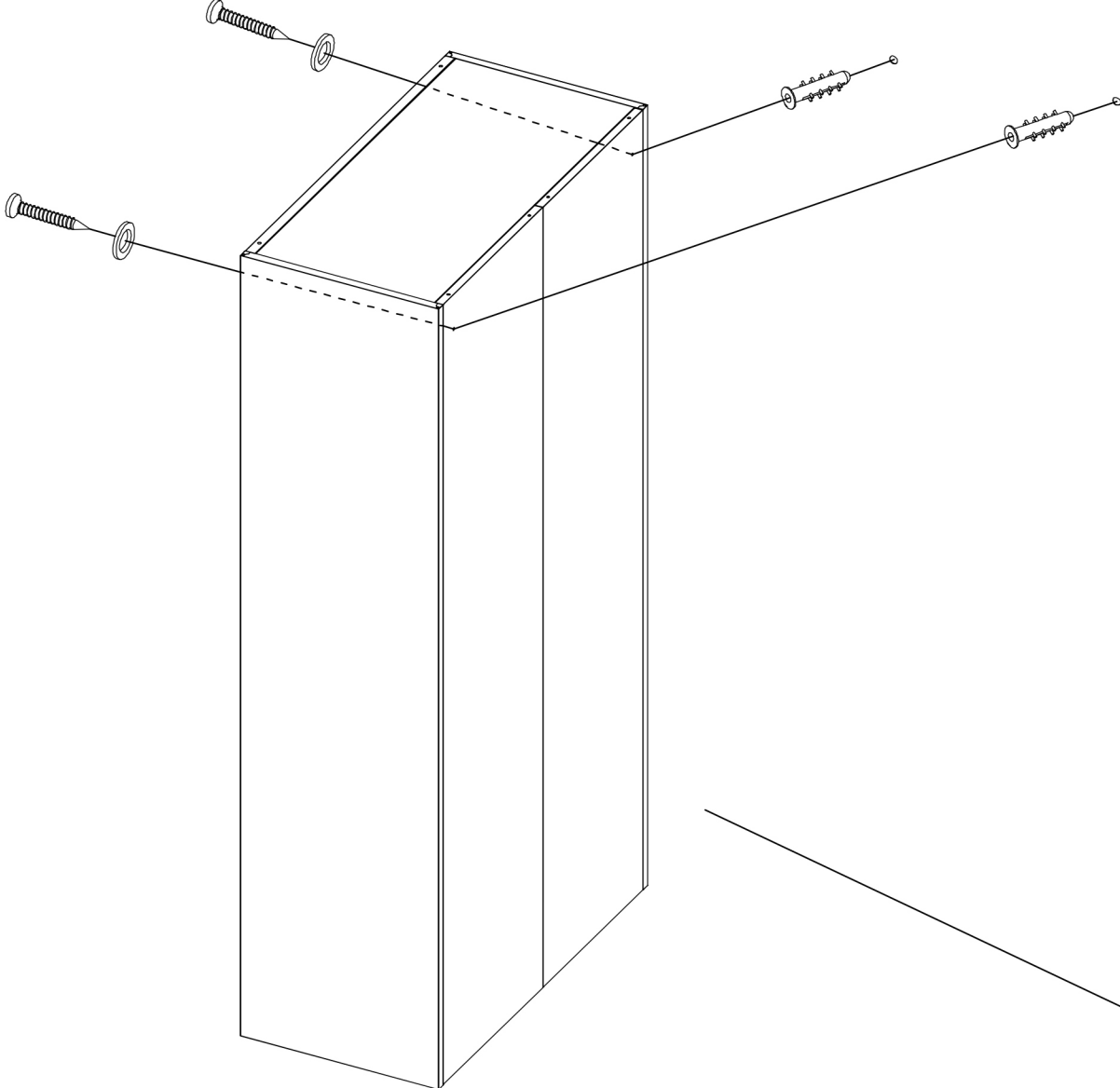


Z



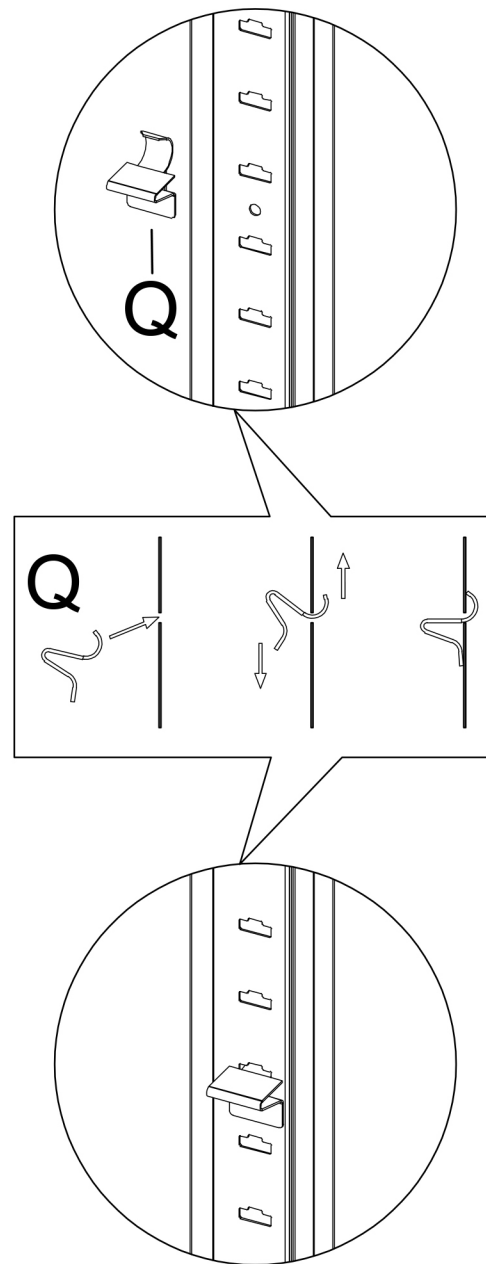
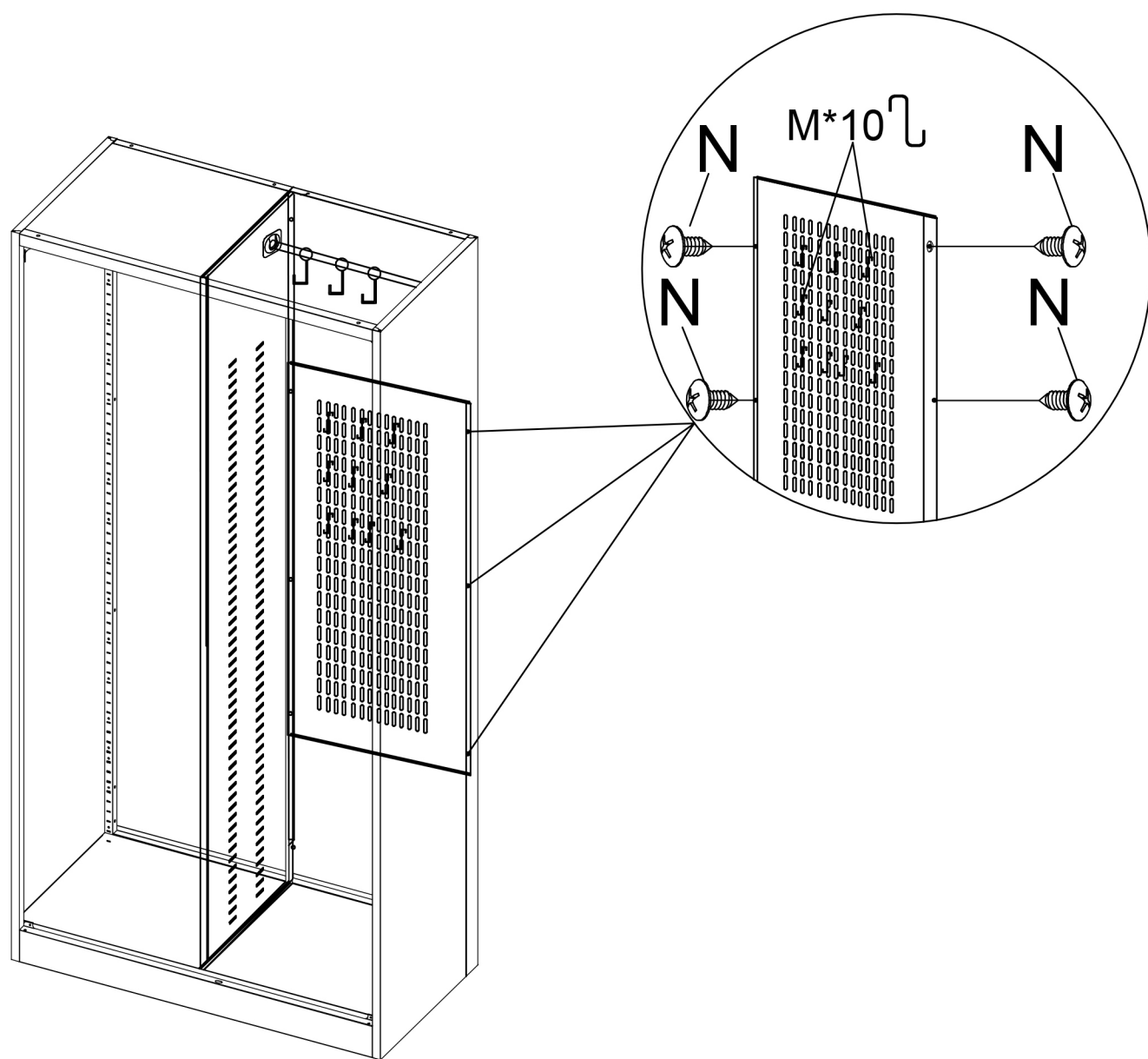
W×1 M2×3

10



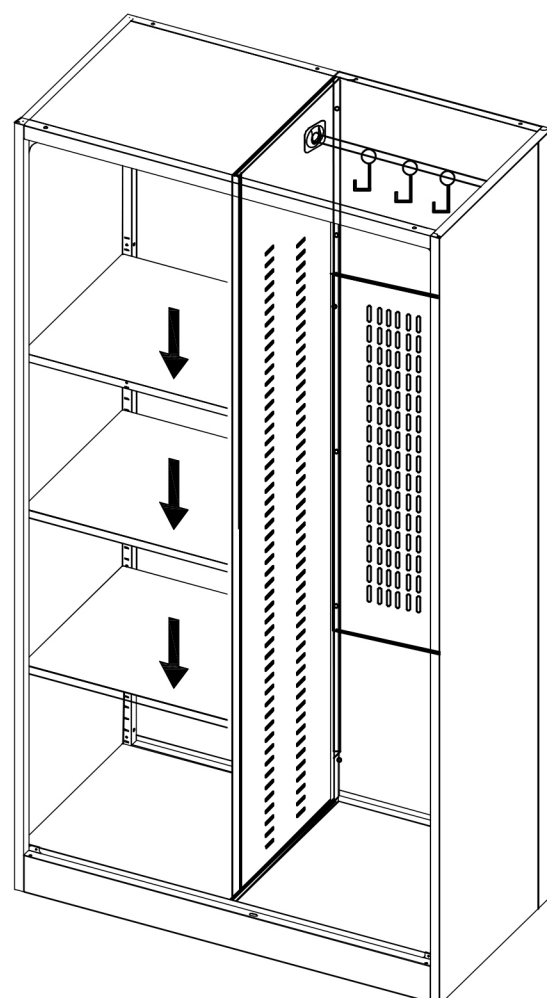
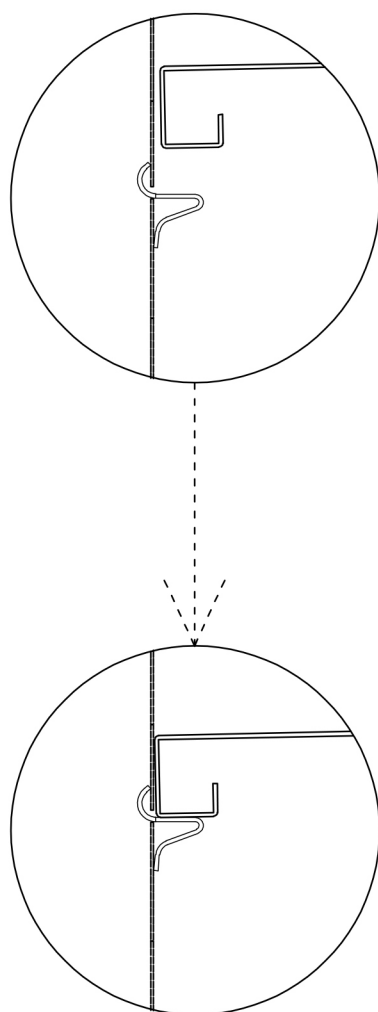
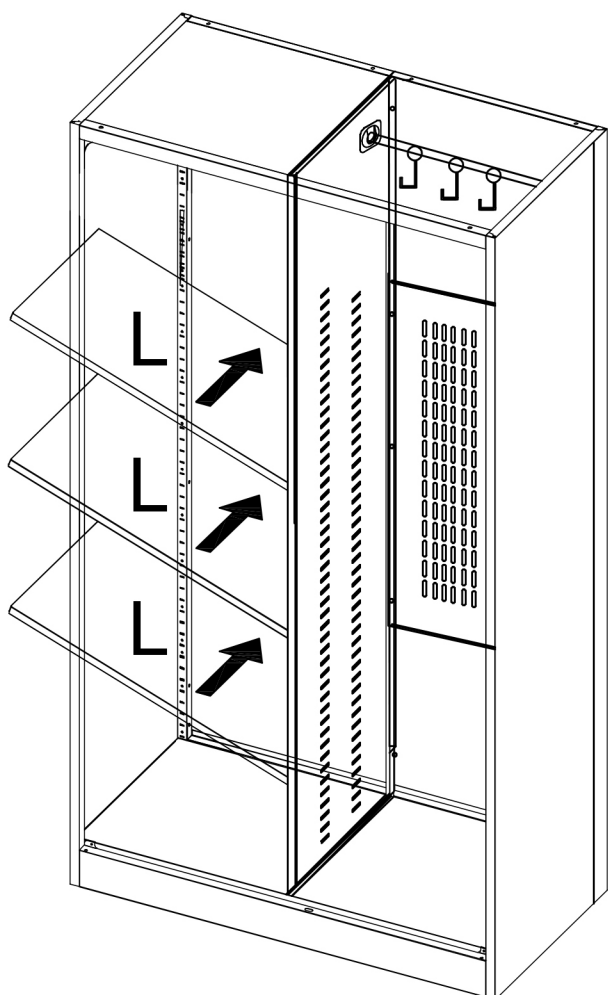
T×2

11



M×10	N×7	Q×12
------	-----	------

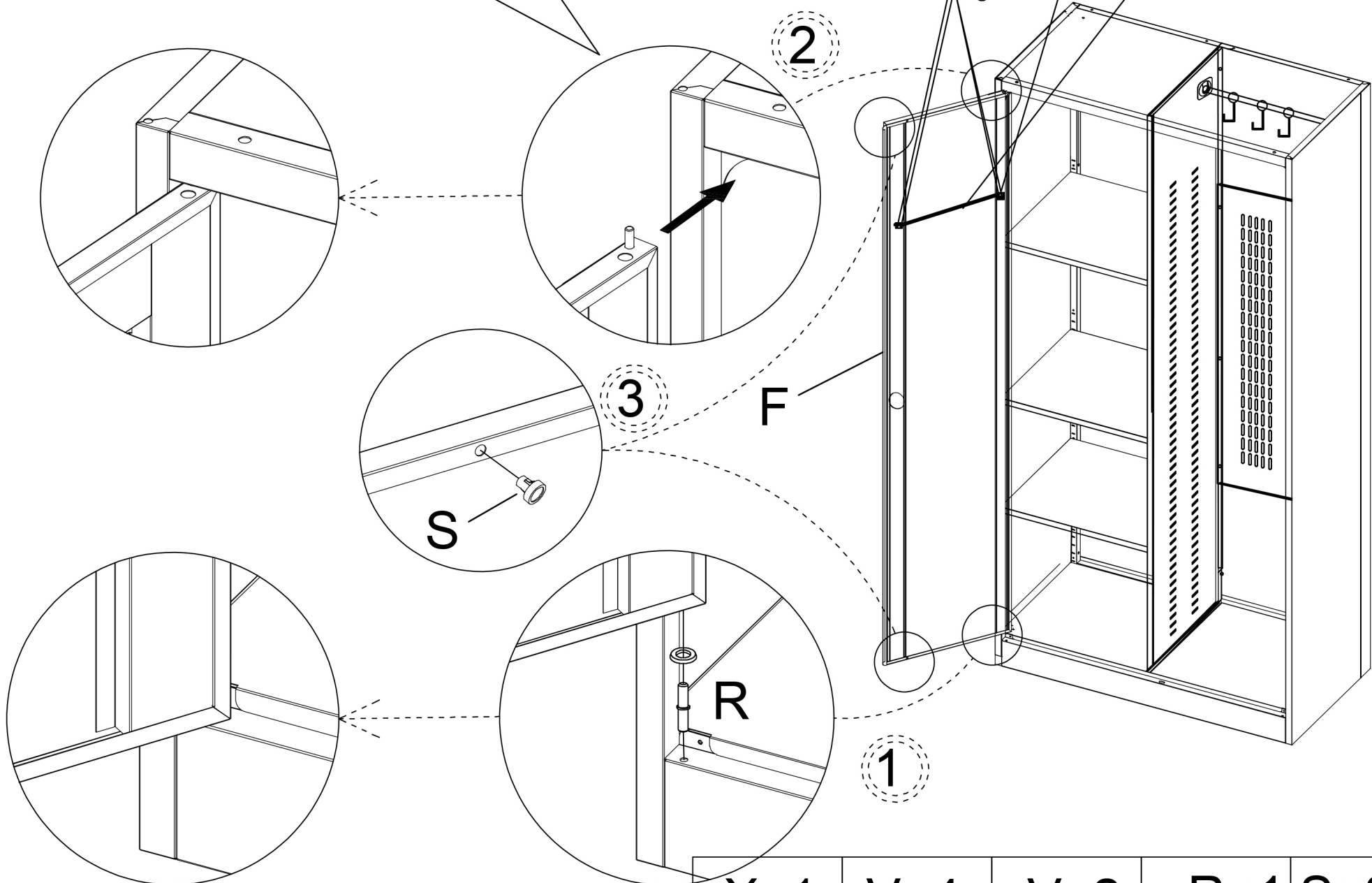
12



13

If the spring shaft is lost, spare parts U can be used.

Vx4 Vx2 Xx1

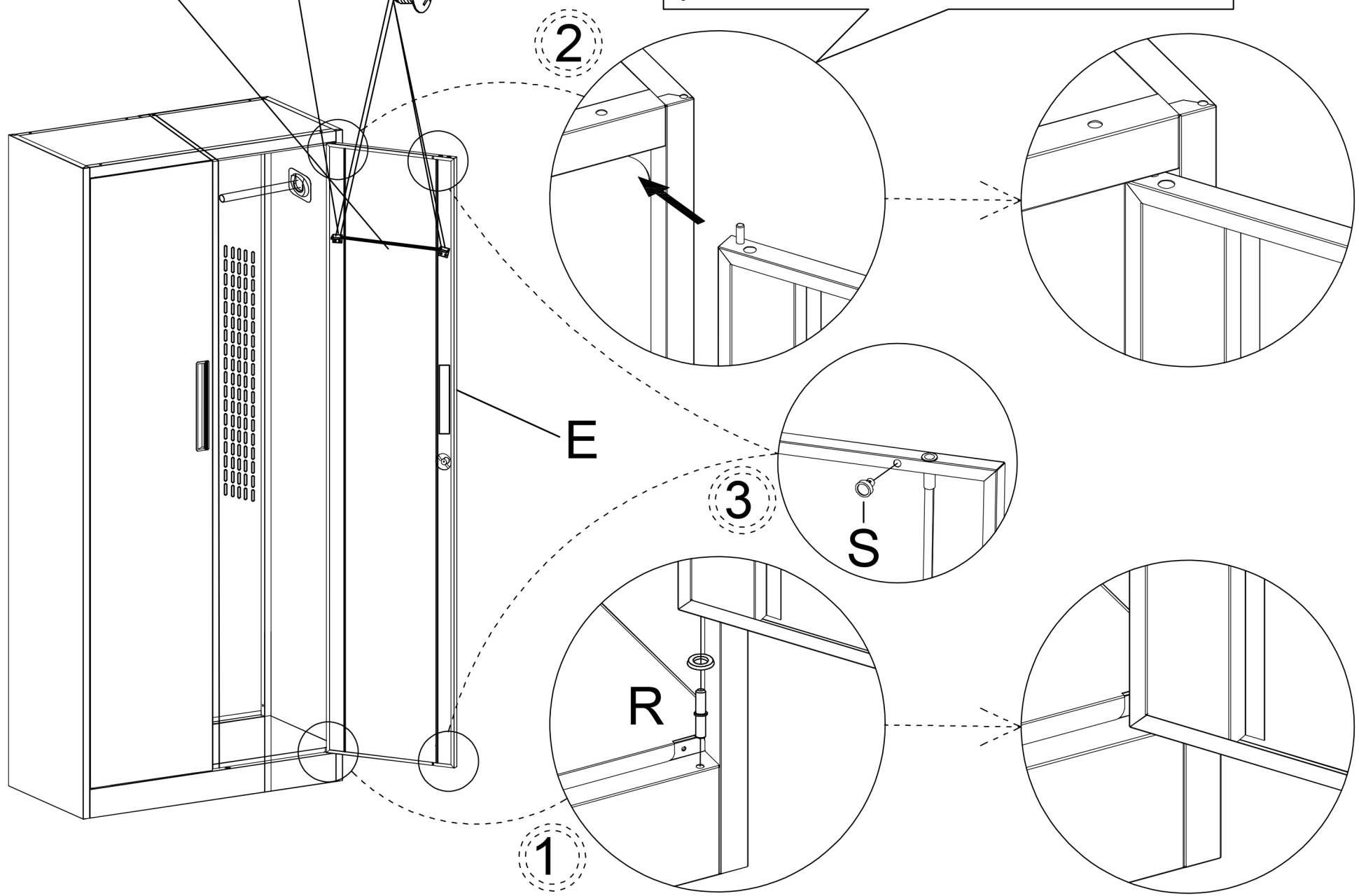


Xx1	Vx4	Vx2	Rx1	Sx2
-----	-----	-----	-----	-----

14

If the spring shaft is lost, spare parts U can be used.

Xx1 Vx2 Vx4



Xx1	Vx4	Vx2	Rx1	Sx2
-----	-----	-----	-----	-----

15

