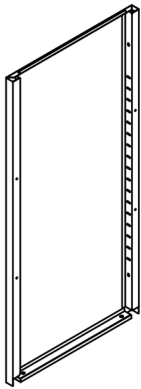


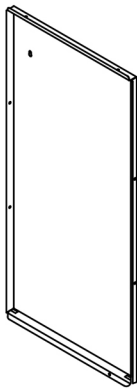
**NOTE: PLEASE AN ASSISTANT IS REQUIRED  
ES NECESARIO UN AYUDANTE UN ASSISTANT  
ESTNECESSAIRE.**



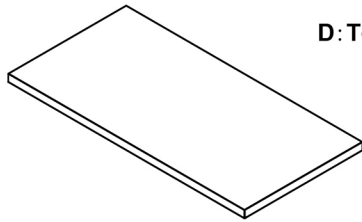
**Please scan the QR code to  
check the assemble video**



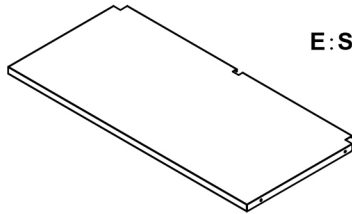
**A: Panel x2**



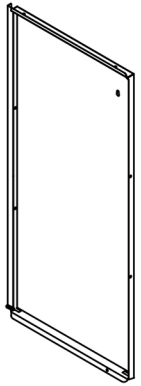
**B: Left back panel**



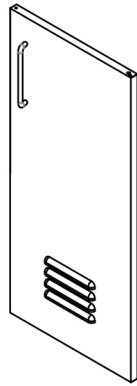
**D: Top panel**



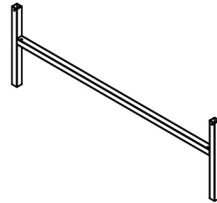
**E: Shelving x3**



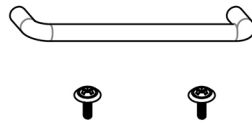
**C: Right back panel**



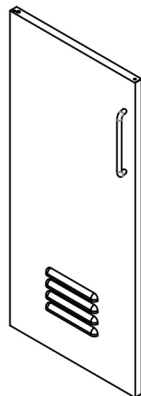
**G: Right door**



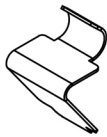
**F: Standing foot x2**



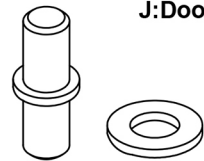
**K: Hold hands x2**



**H: Left door**



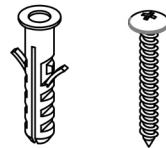
**I: Hinge x8**



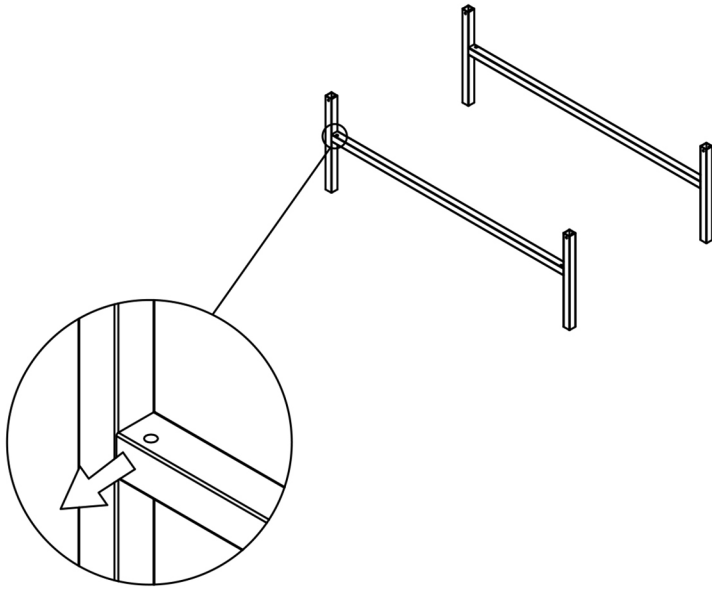
**J: Door shaft x2**



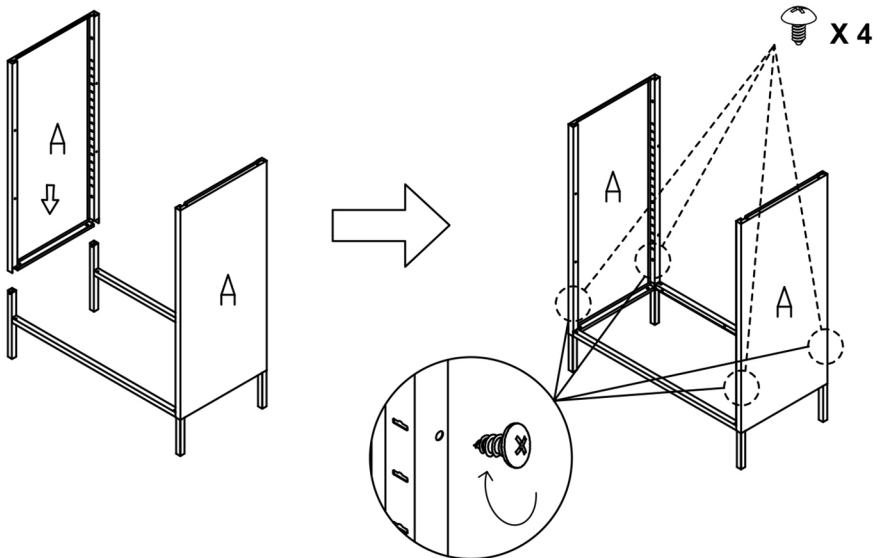
**L: Screw x18**



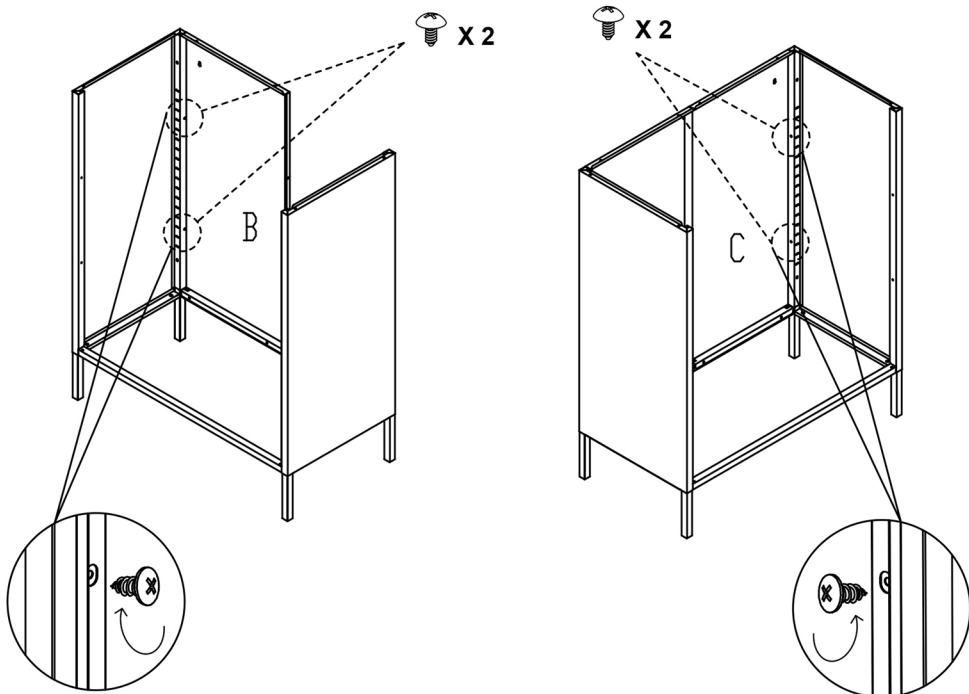
**M: Expansion screw x2**



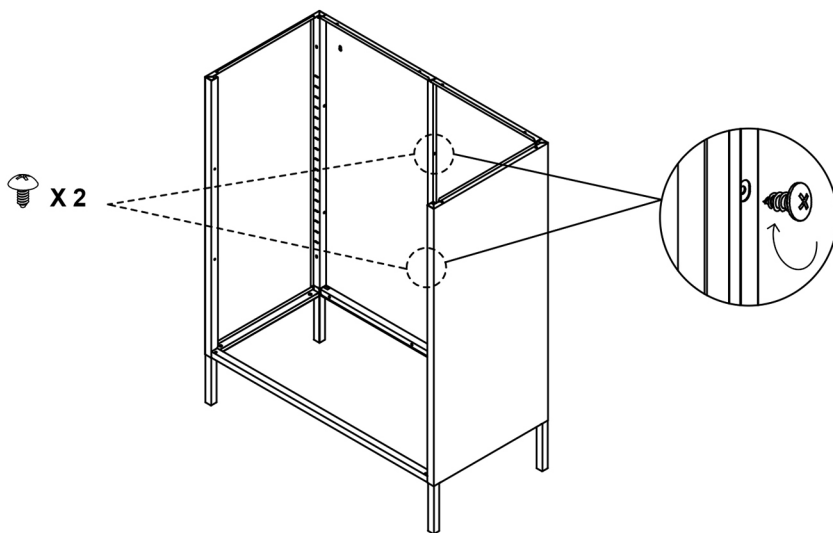
1. Put F in place, The little hole in F is facing out



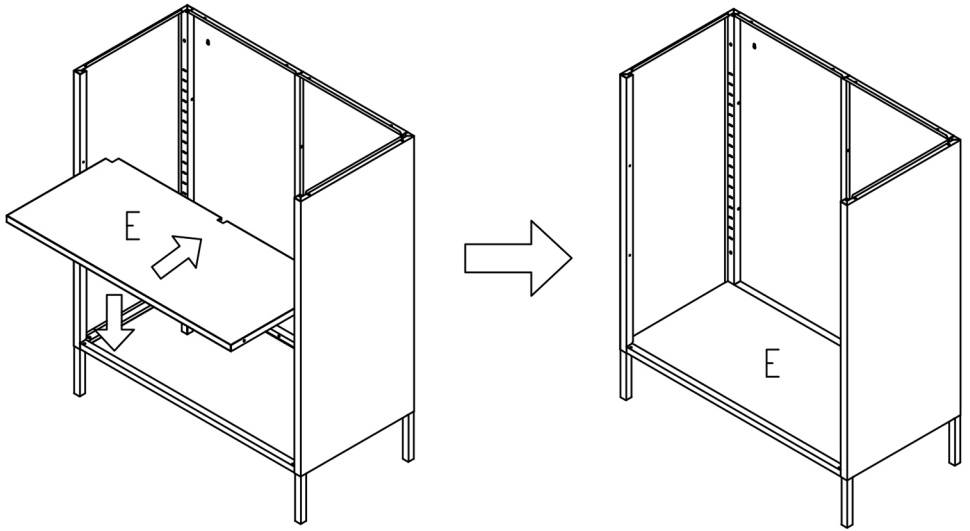
2. Install A , Fix F and A with L



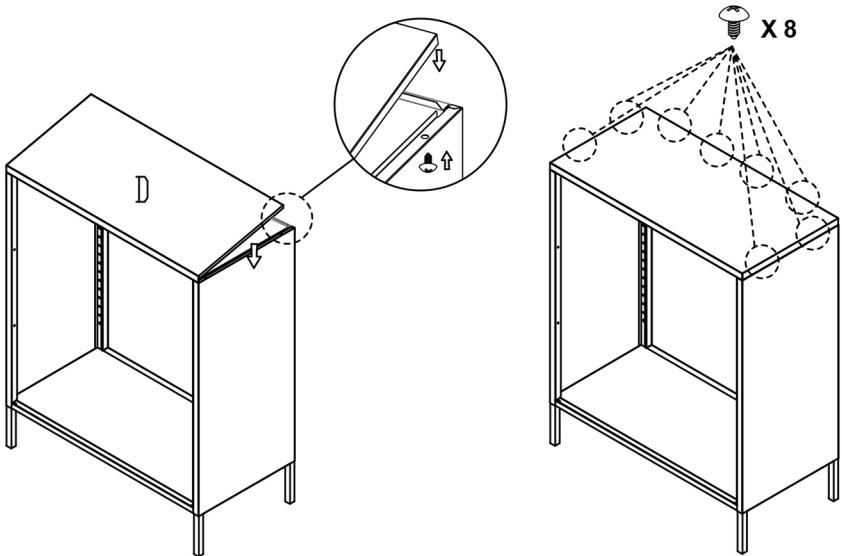
**3. Install B and secure with L , Install C and secure with L**



**4. Link B and C with L**



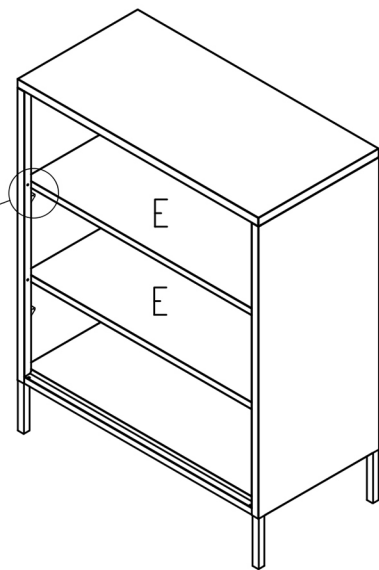
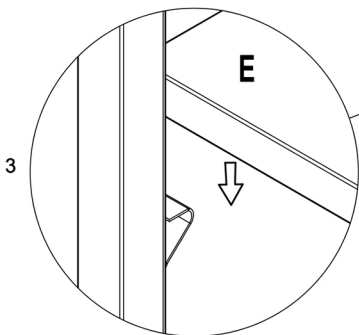
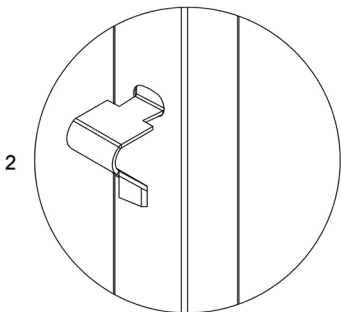
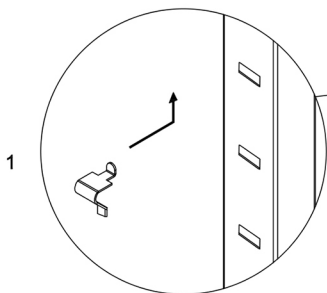
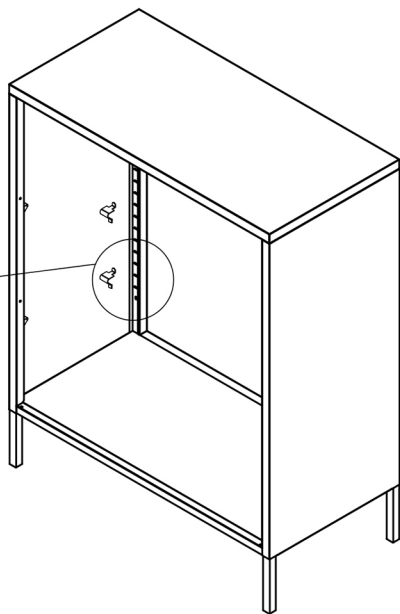
**5. Install E**



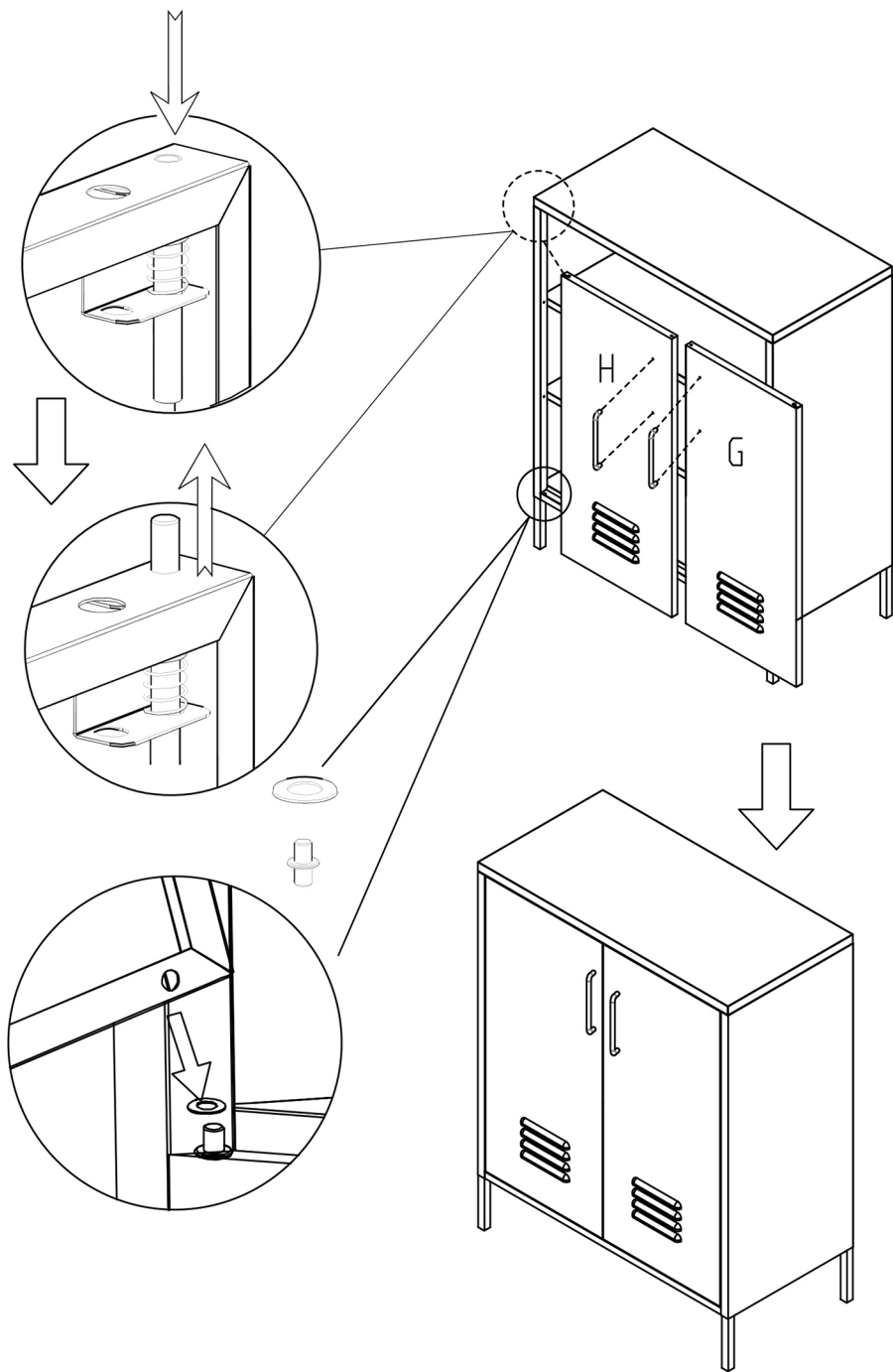
**5. Install D, Fix D with L**



x 8 Shelf Support (I)



6. Install I and E



**7. Install left door and right door**

## 8. Note

- Do not tighten the screws until the cabinet has been assembled.
- Watch out for small parts to avoid swallowing by children.
- Please use a proper screwdriver to avoid damage to the screws.
- Be careful not to get cut on the edges or smashed when you move the cabinet.
- Be careful not to squeeze your fingers when tightening screws.