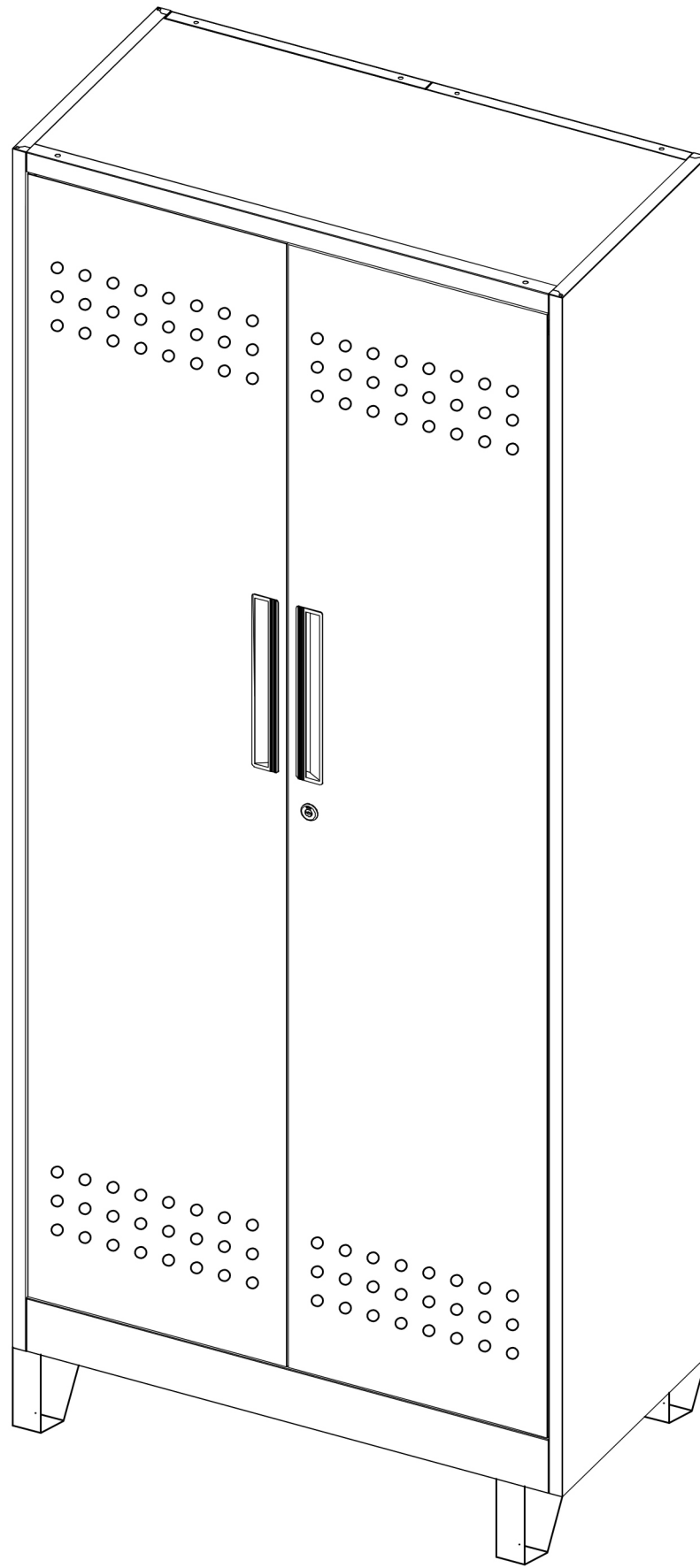
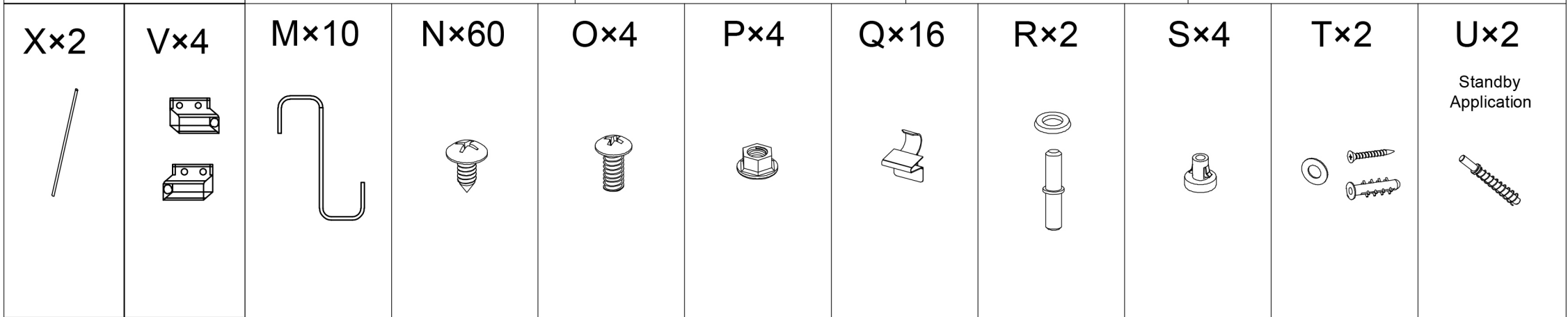
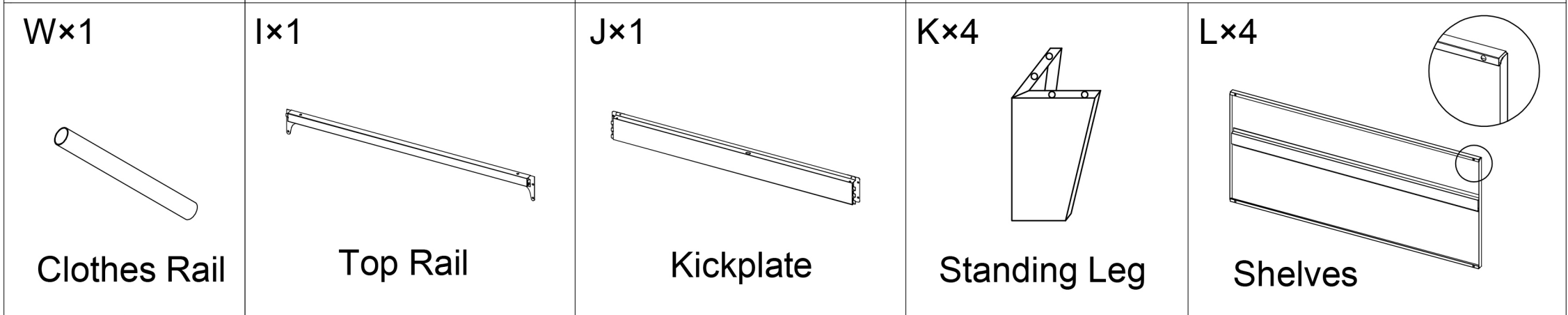
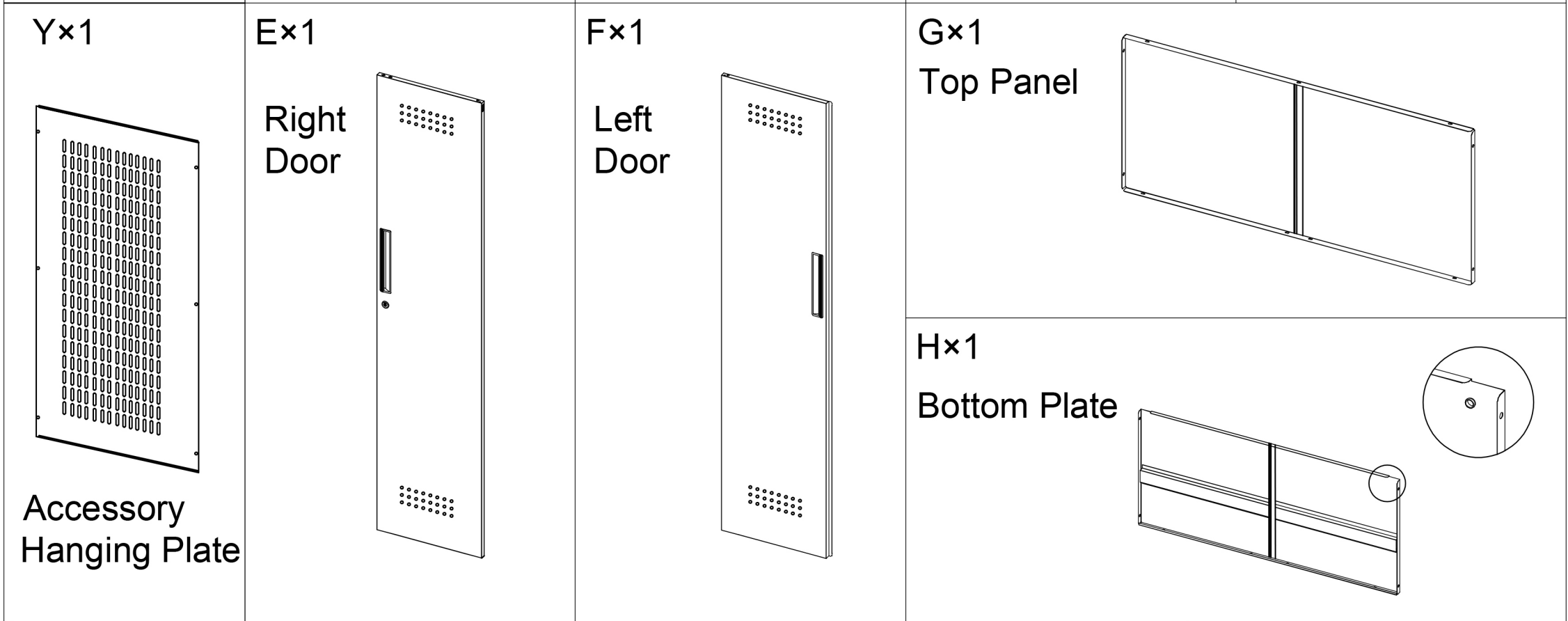
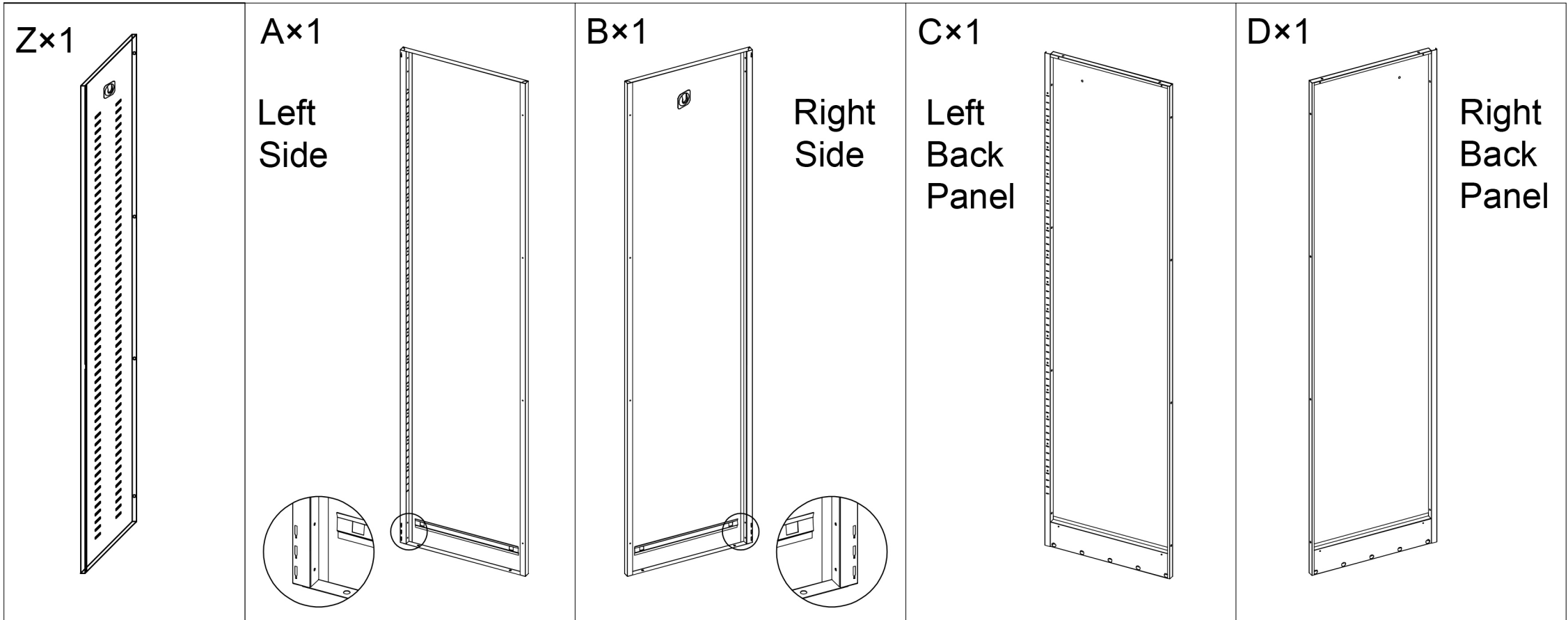
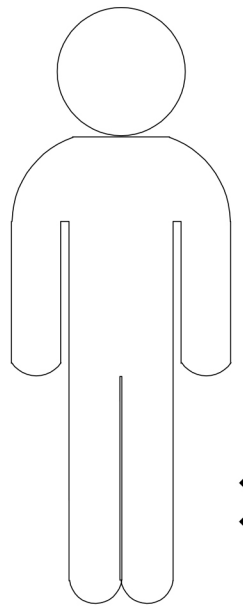
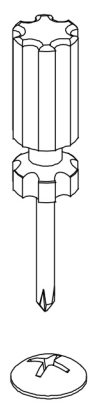
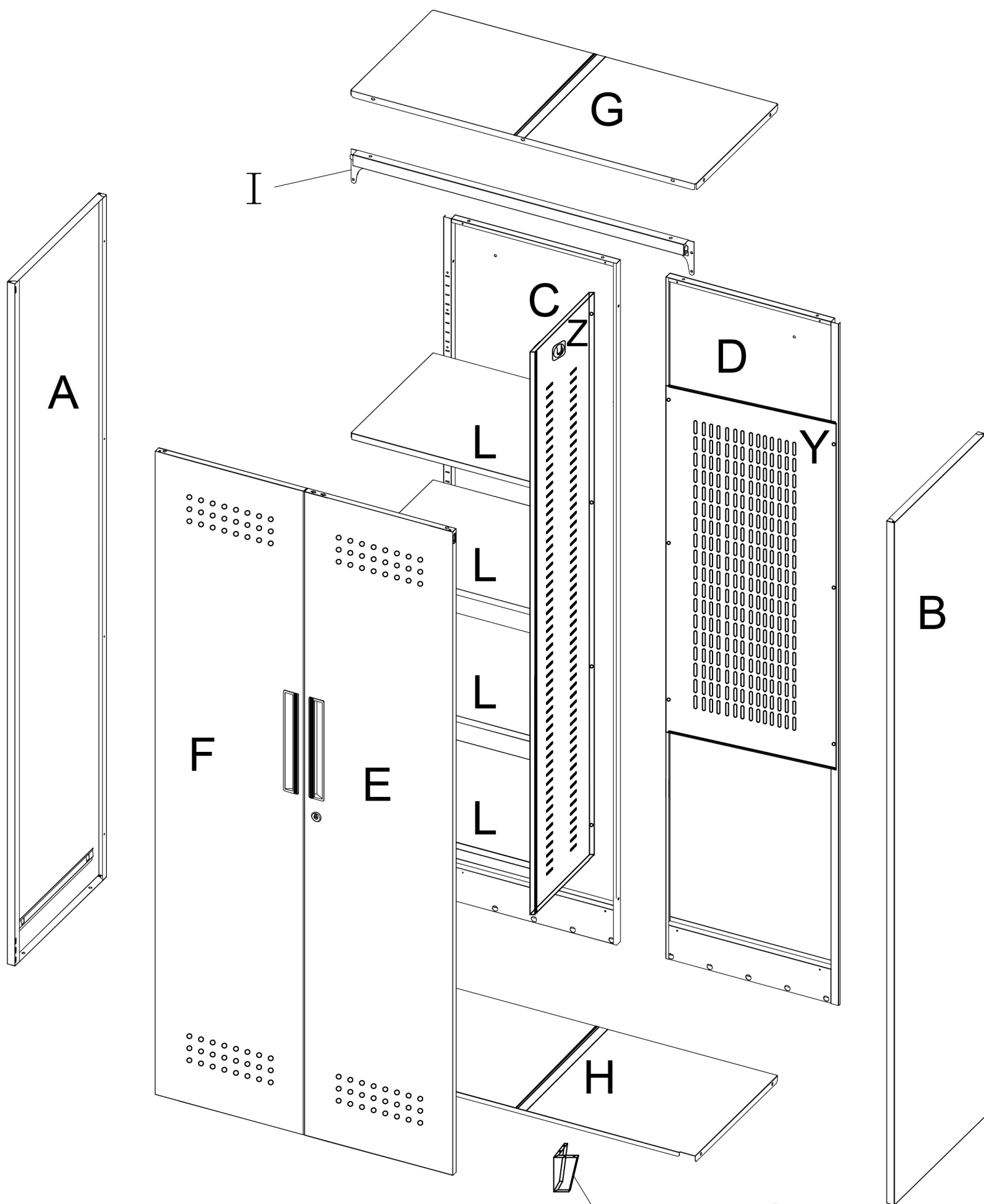


Thanks for choosing our goods. Before Install the goods must readcarefully on our install manual or check our install video on ourshop. If still have install problem or other things can contact ourafter-sales team

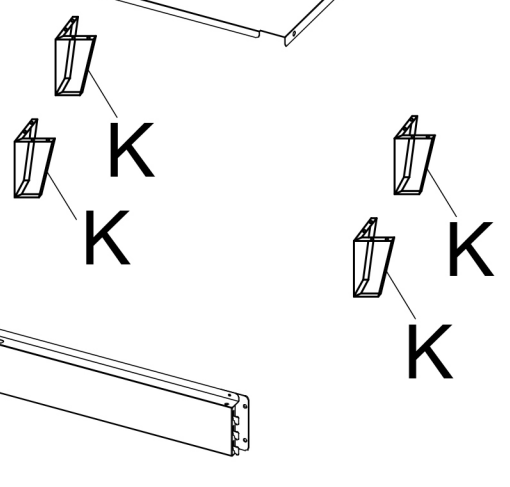


Please scan the QR code to check the assemble video

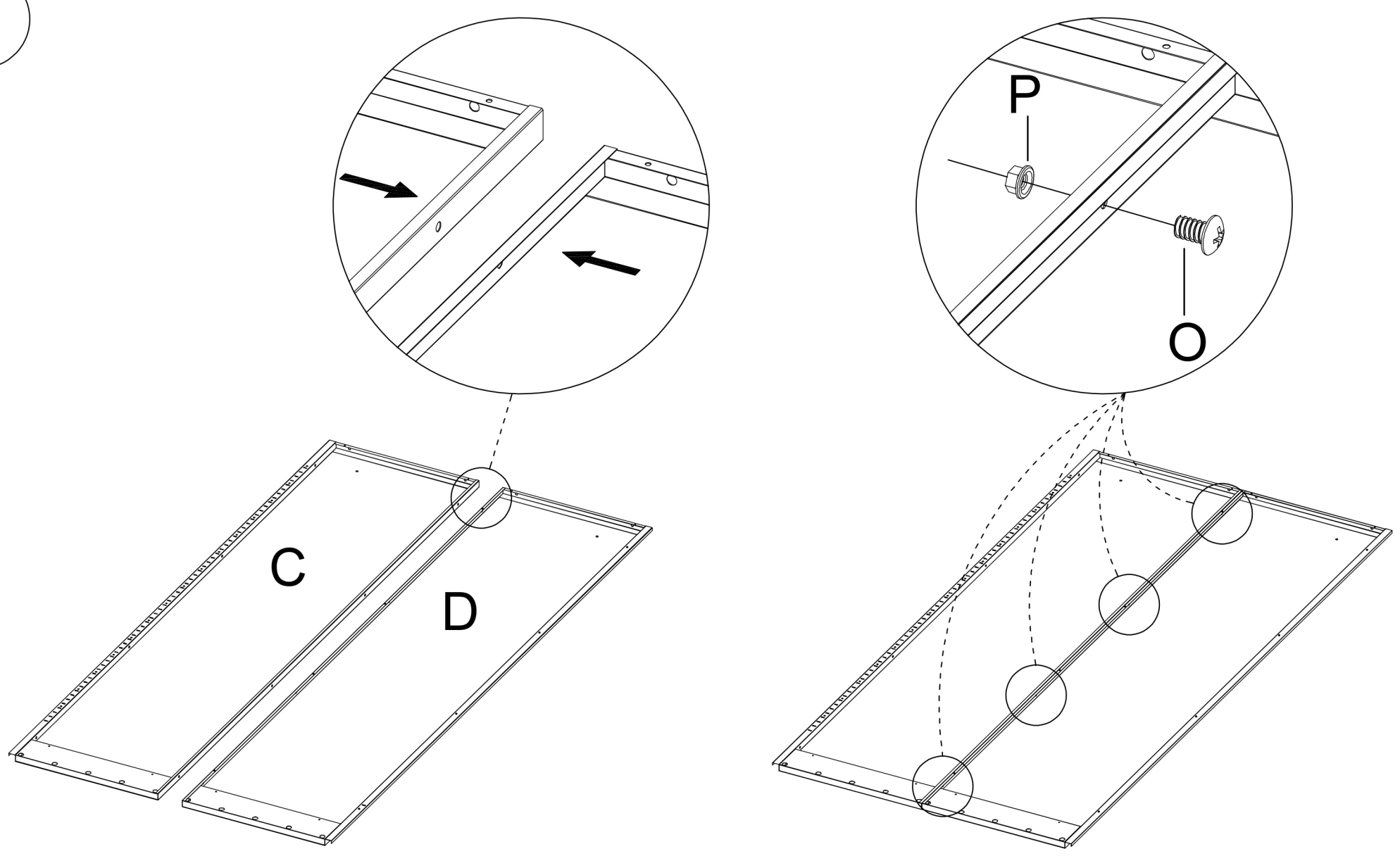


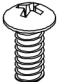



**x2**



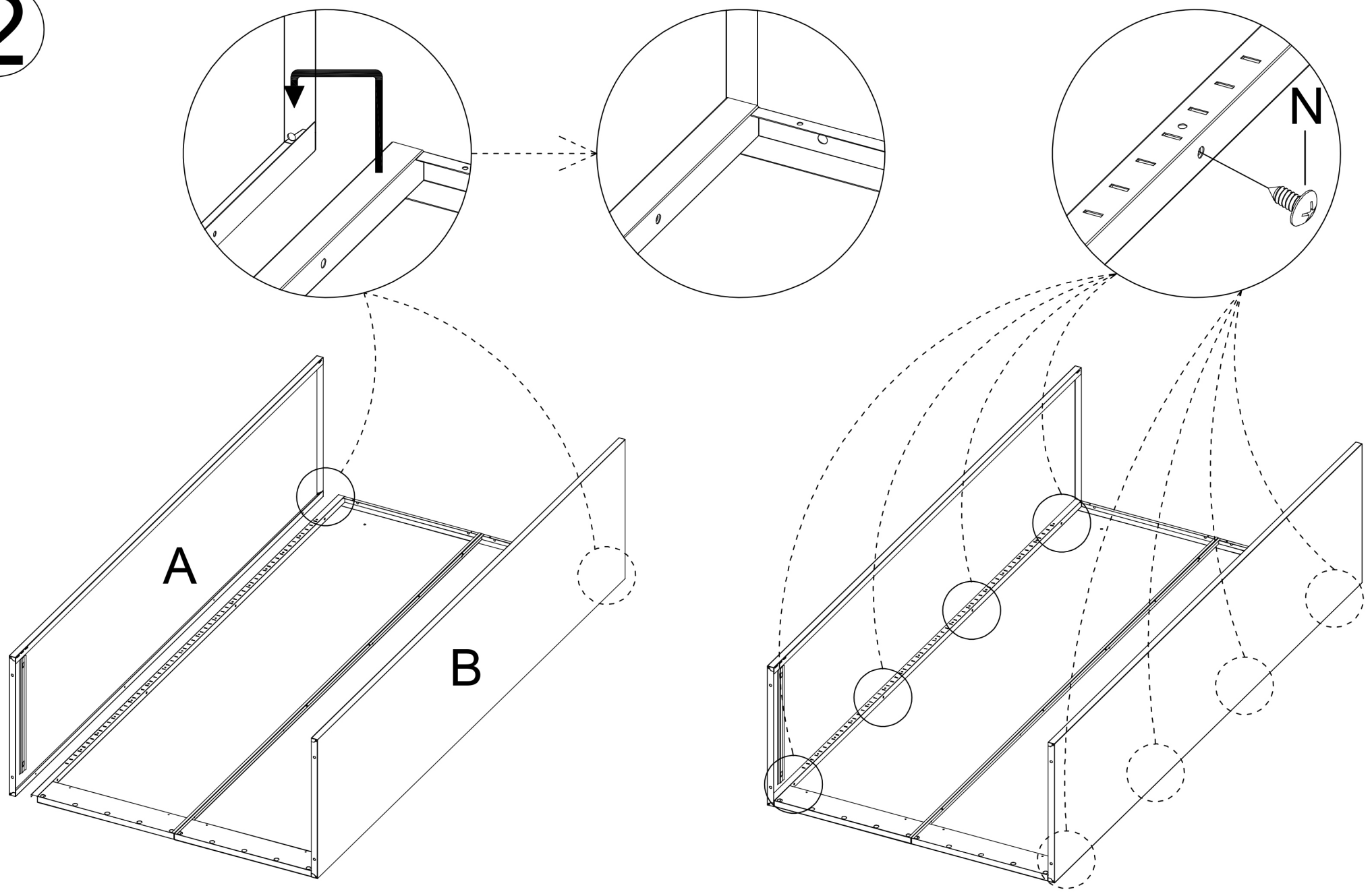
1




	O×4
	P×4

1. Assemble C and D together and fix them with O and P.

2

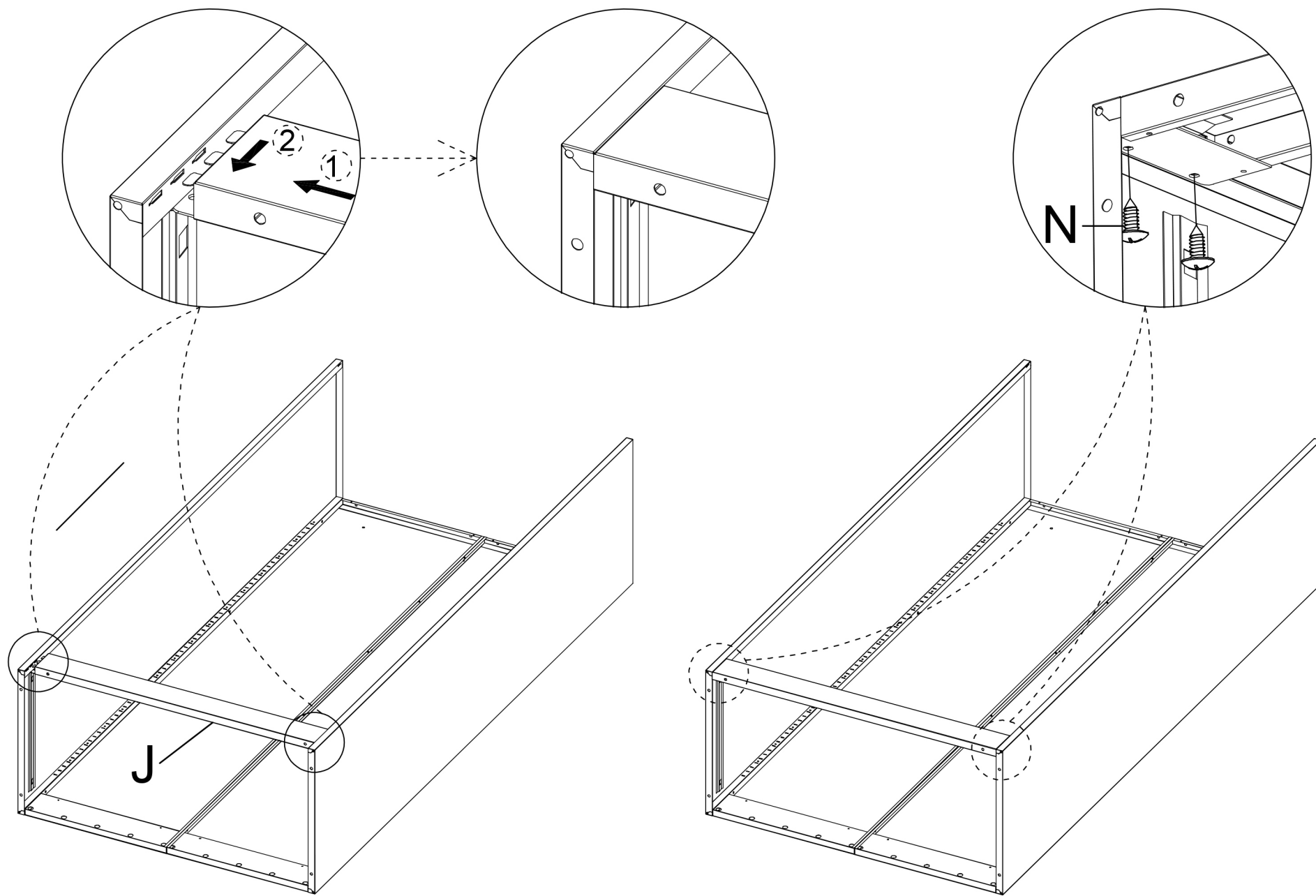


	N×8
---	-----

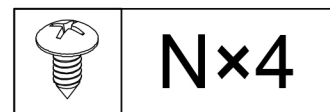
2. Install A and B and fix them with N.



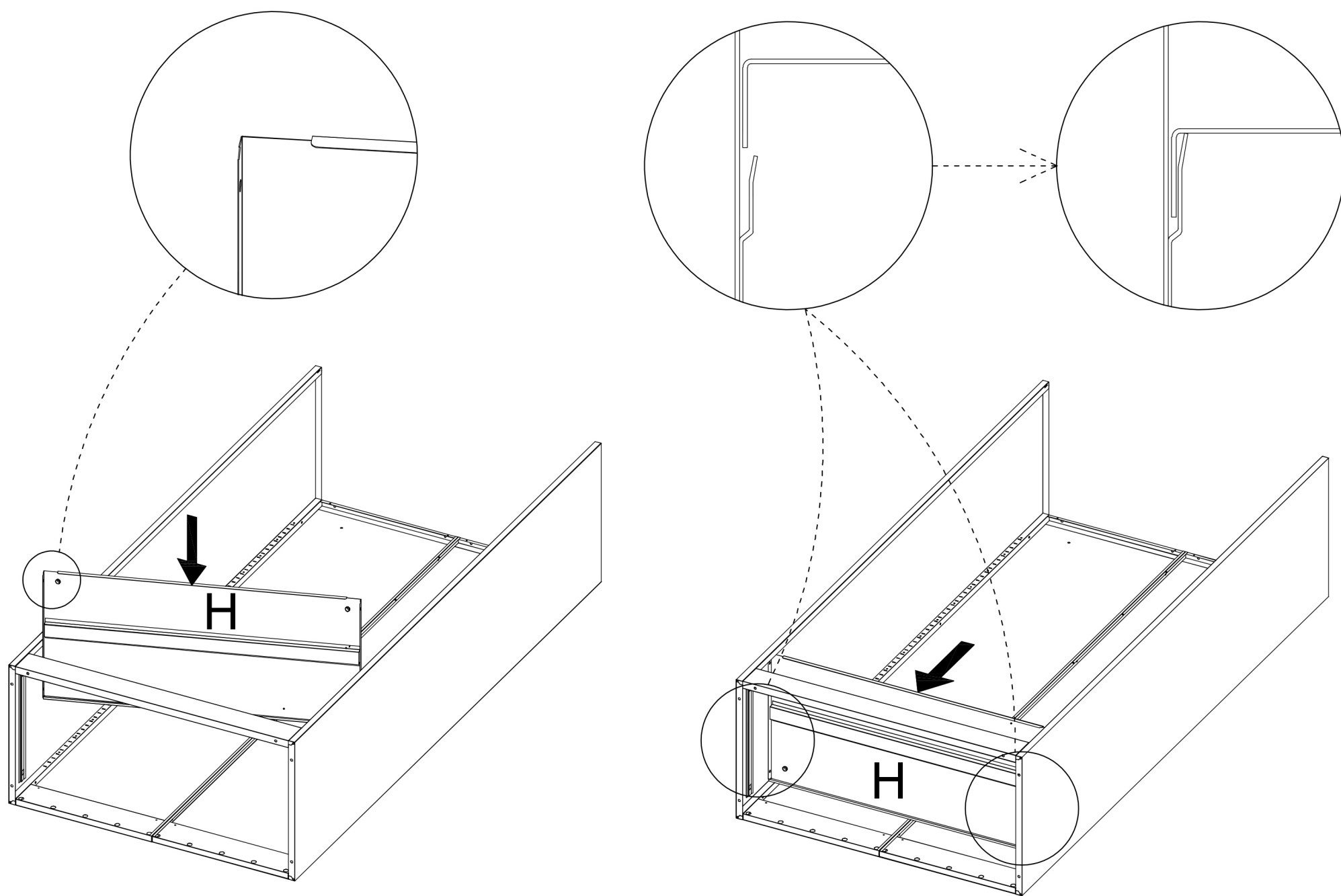
3



3. Install J and fix it with N.

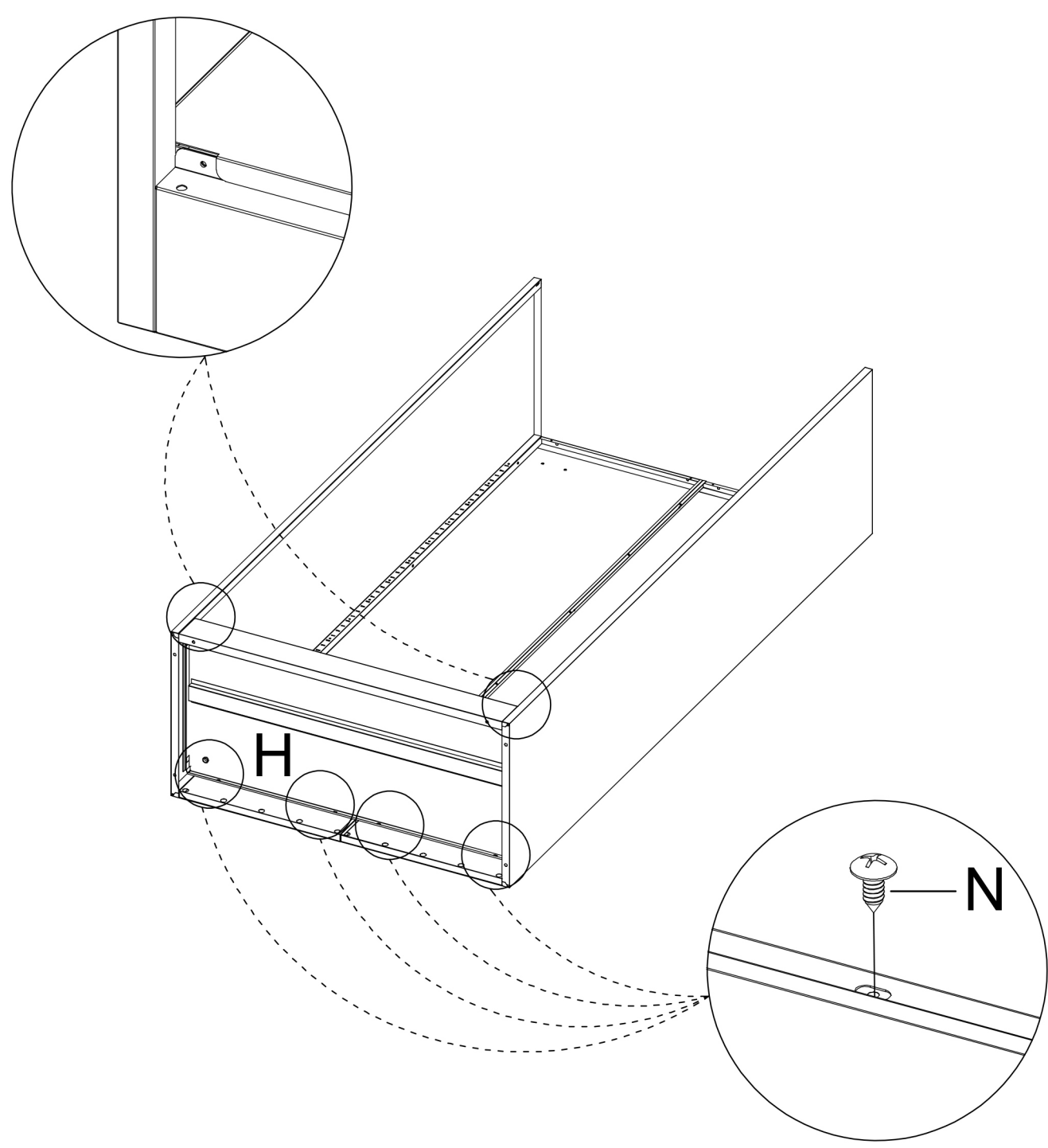


4

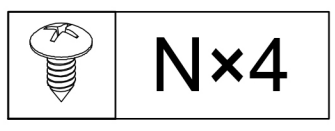


4. Install H.

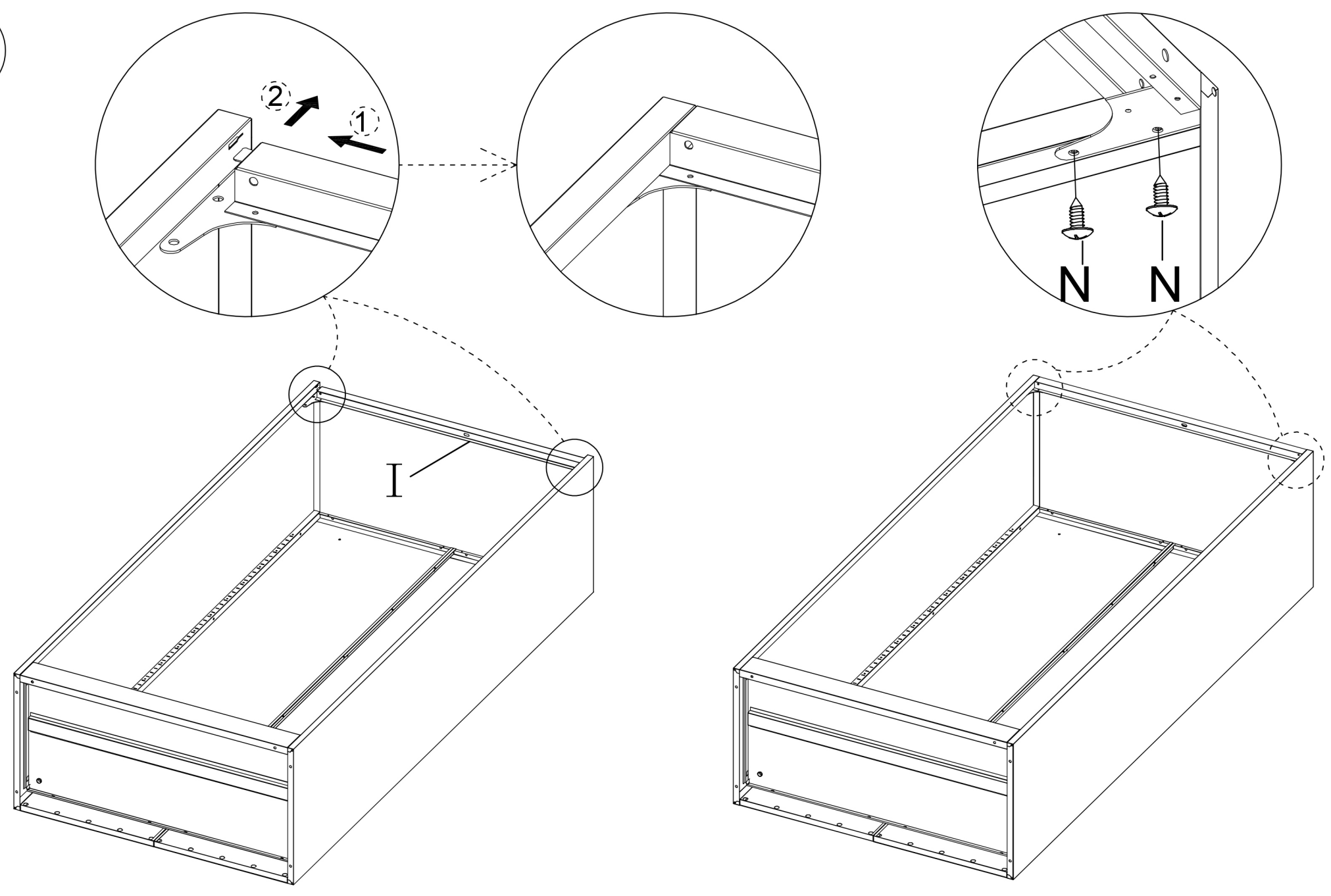
5



5. Fix H with N.



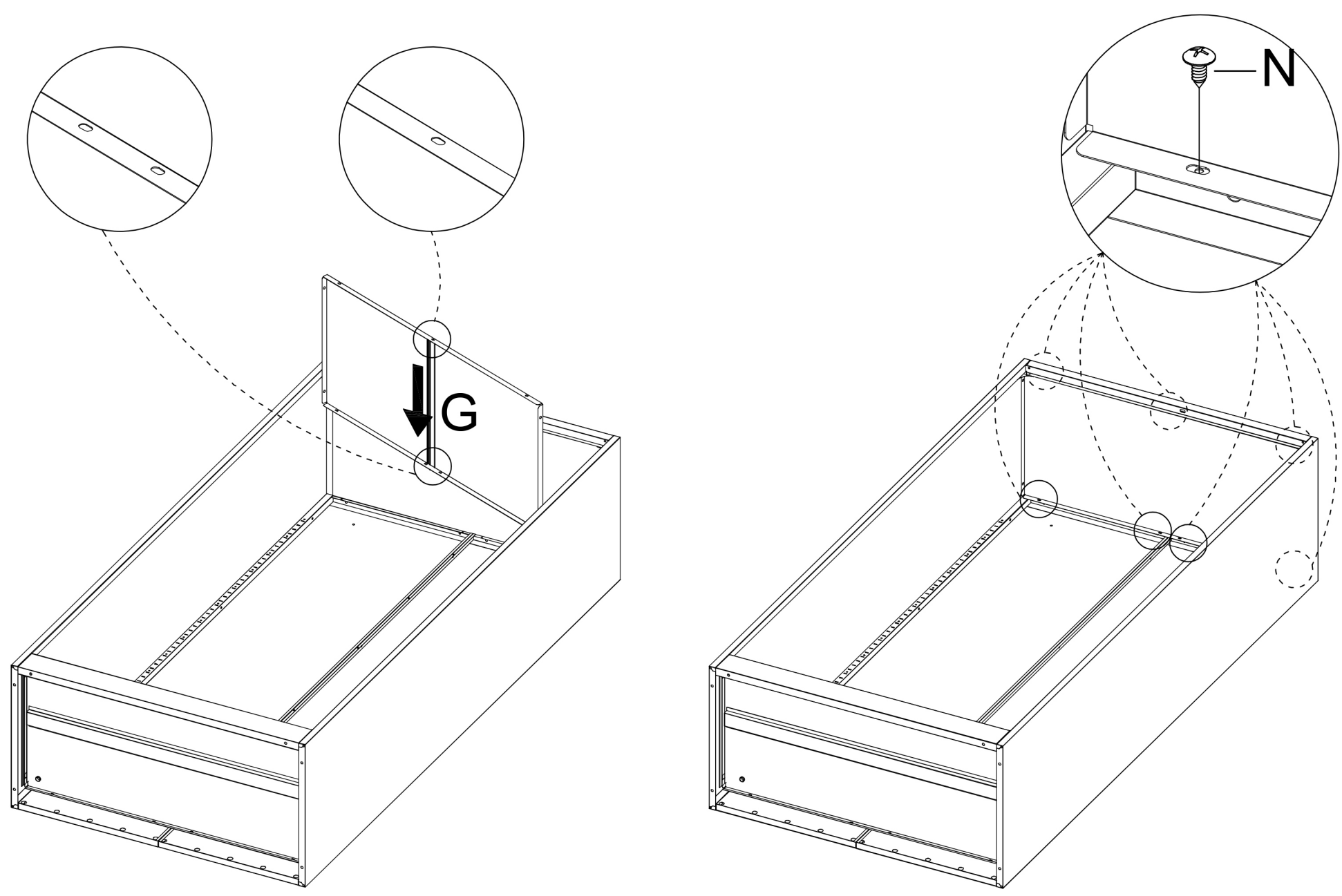
6



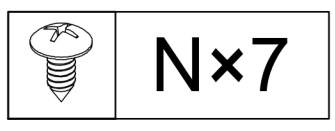
6. Install I, fixed with N.



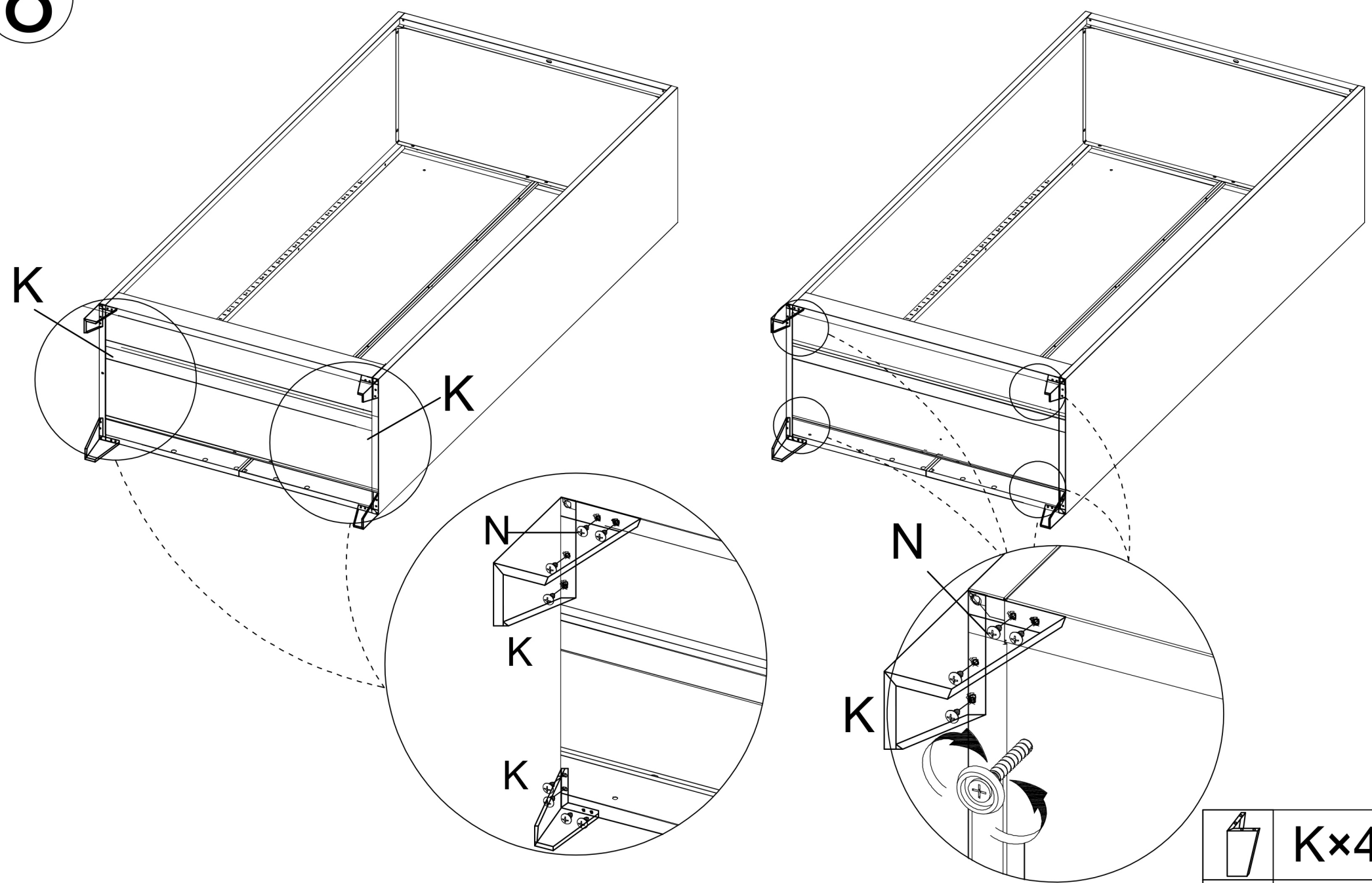
7



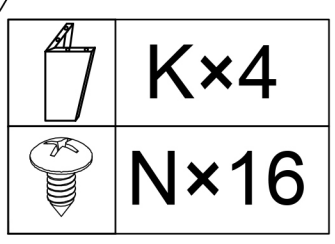
7. Install G and fix it with N.



8

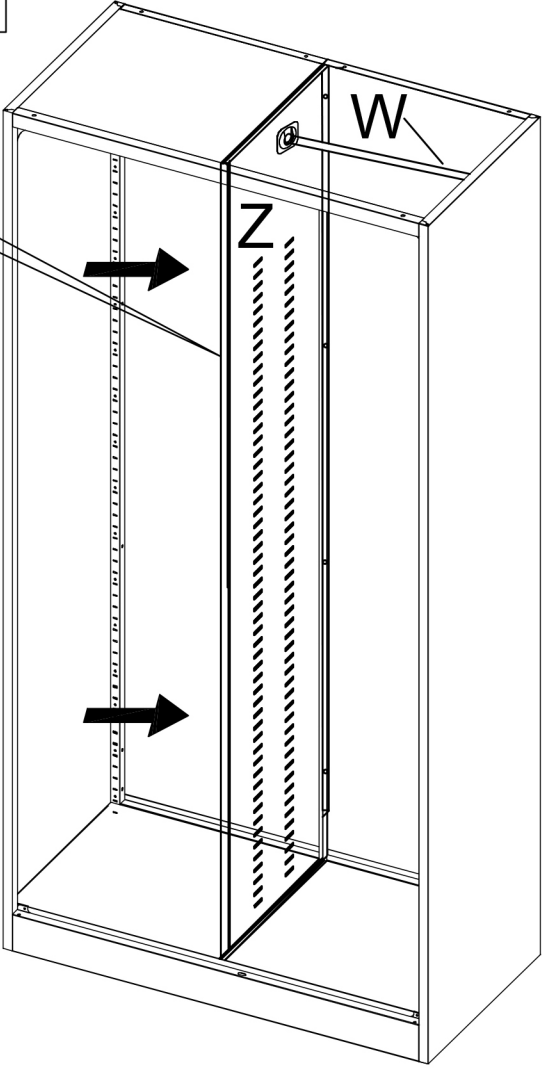
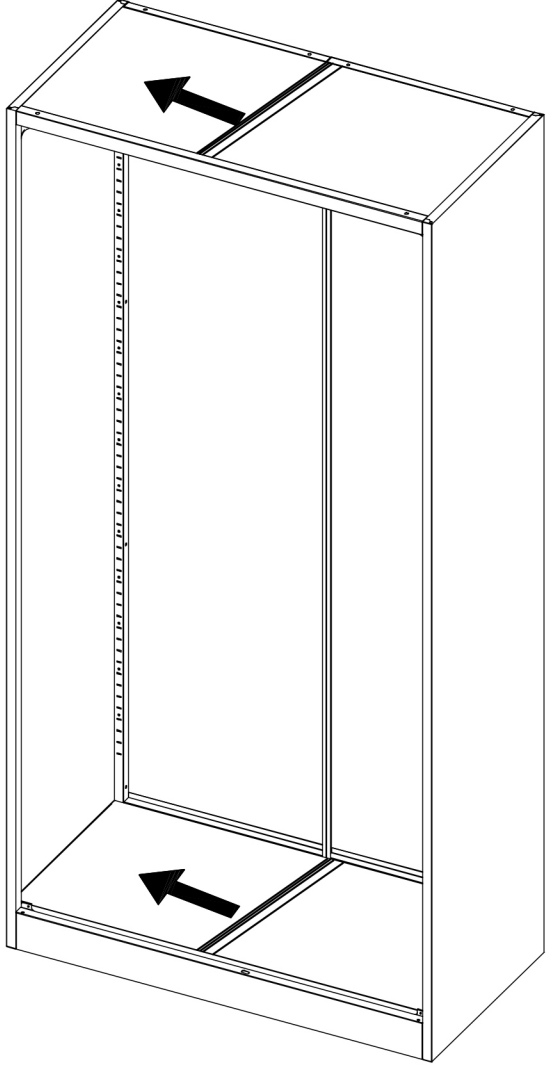


8. Install K and fix it with N.



9

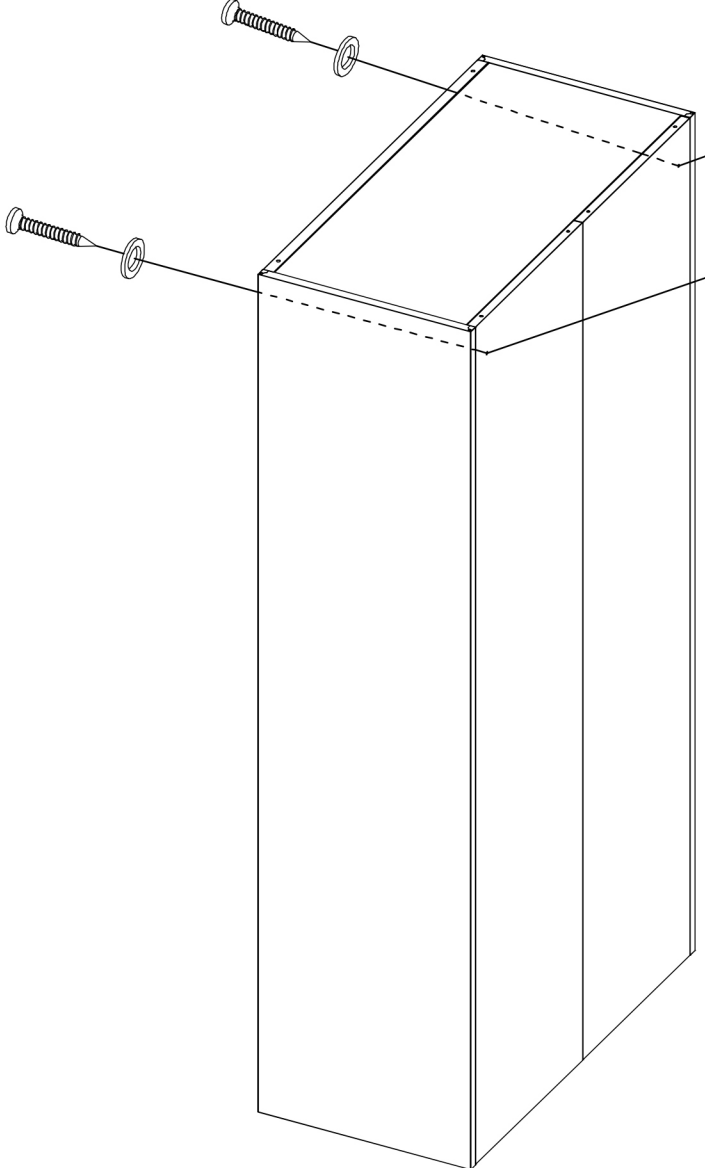
Install from left to right



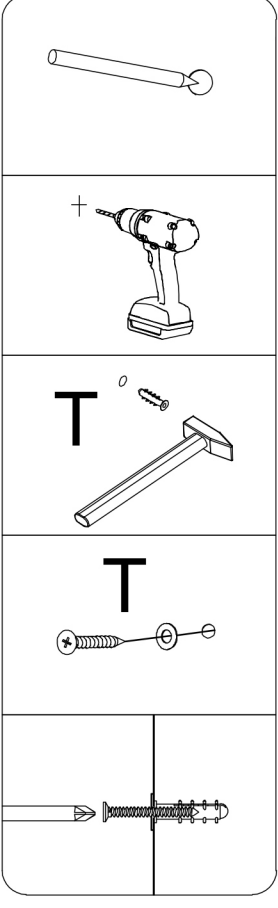
9. Install Z and fix it with N. Install W

10

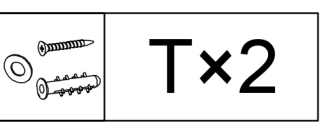
Anchor Screw " T " through holes, and fastens to the wall



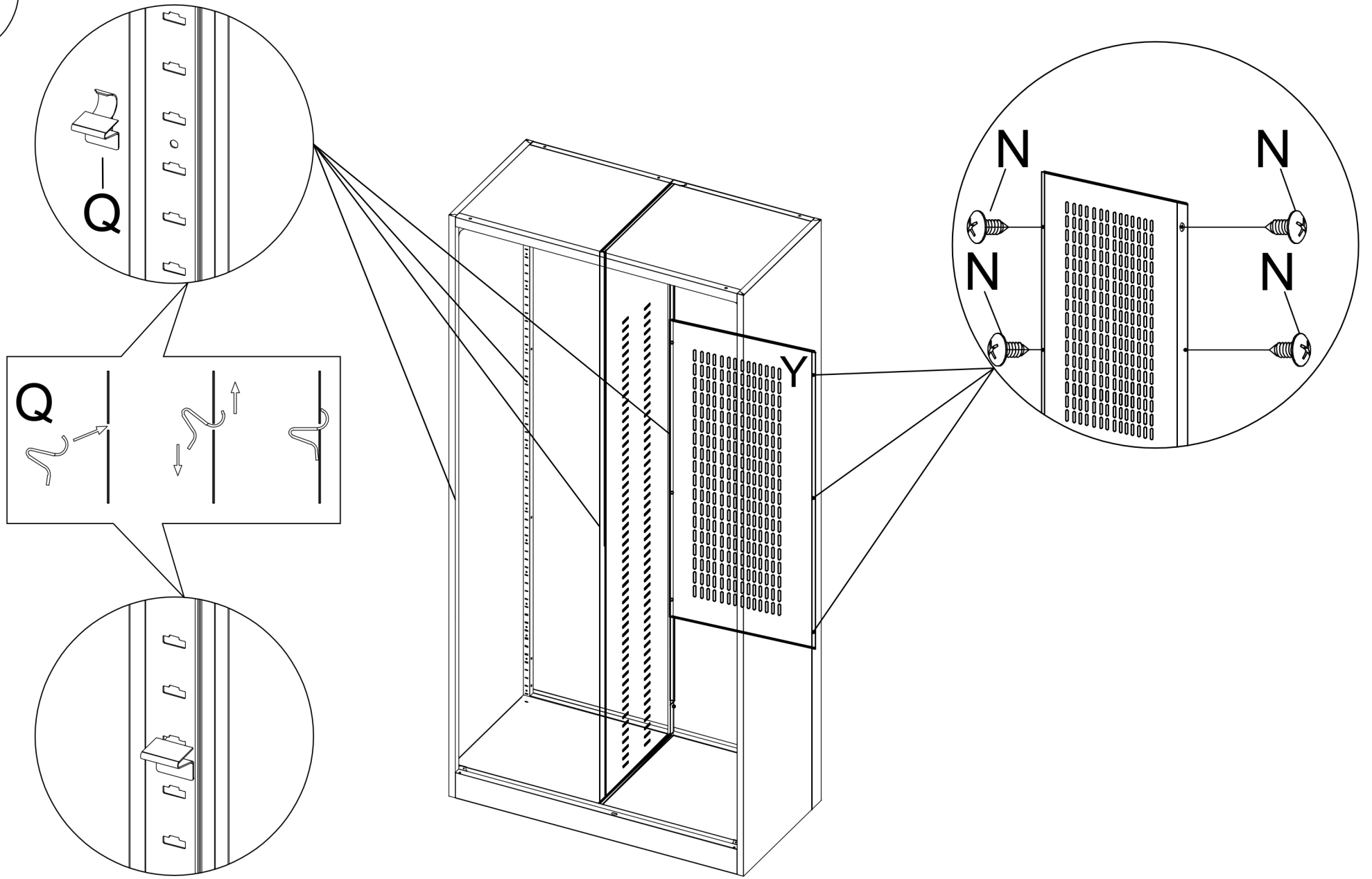
AFTER ASSEMBLY IS COMPLETE, THE UNIT MUST BE SECURED TO A WALL FALLURE to mount the unit to a wall, can create a TIPPING HAZARD. A tipping hazard is dangerous to yourself and others. Use wall anchor hardware that properly suits the installation of mounting this unit to a wall



10. Wall fixed.



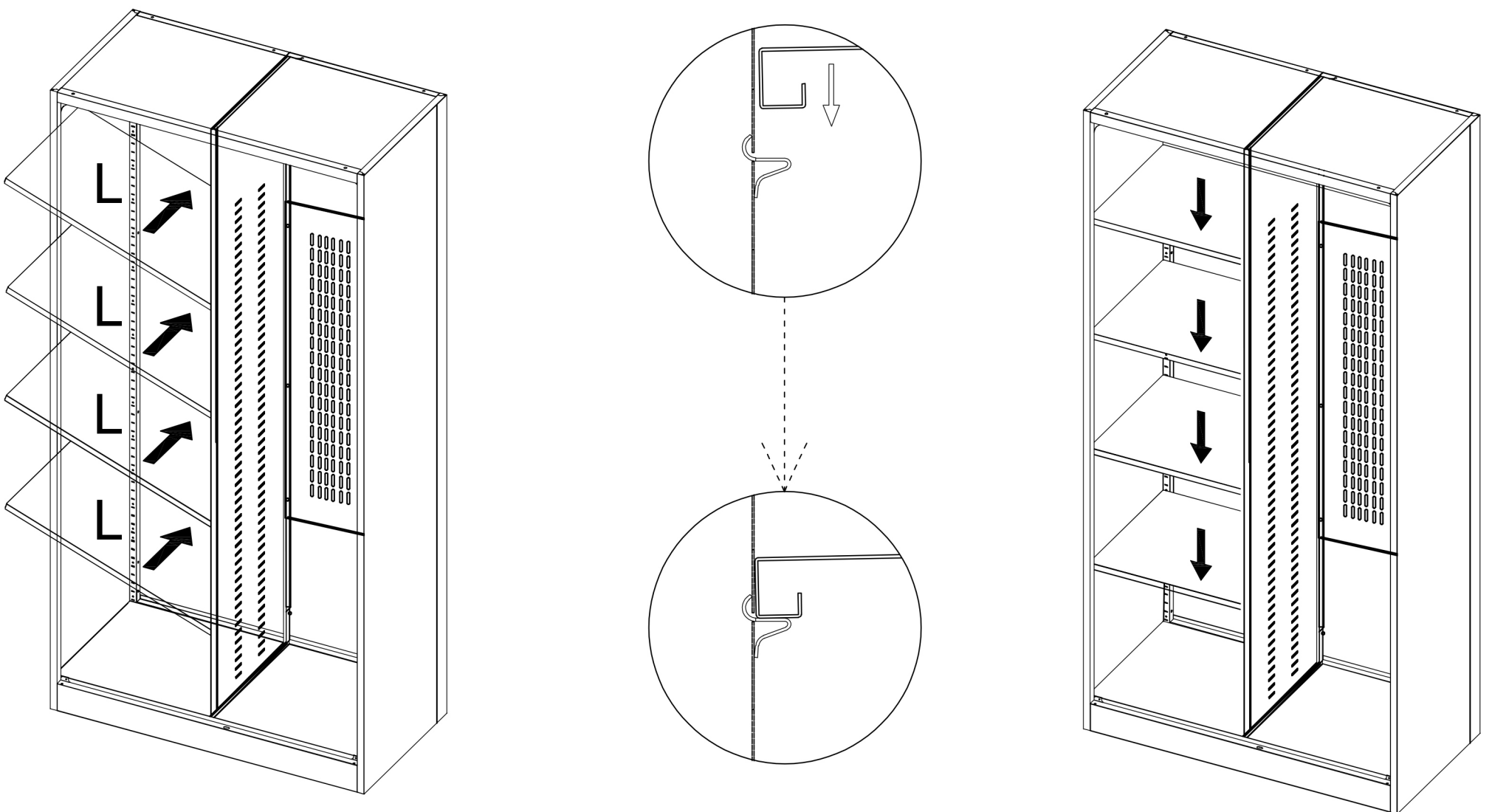
11



11. Install Y and fix it with N. Install Q



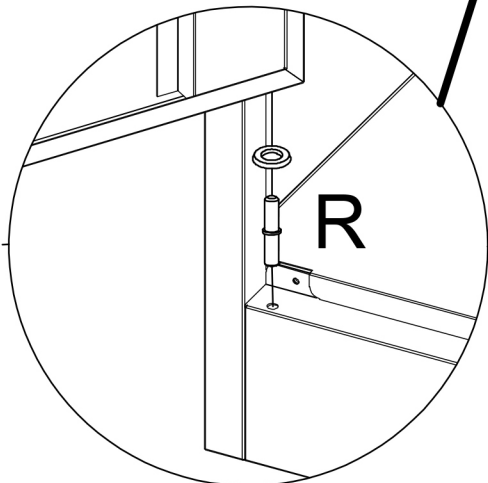
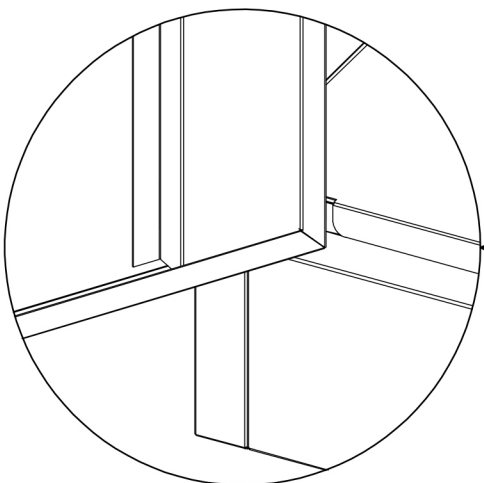
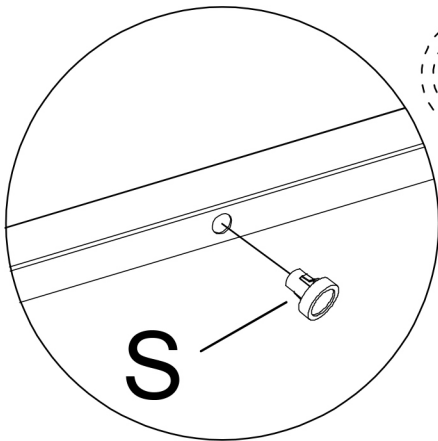
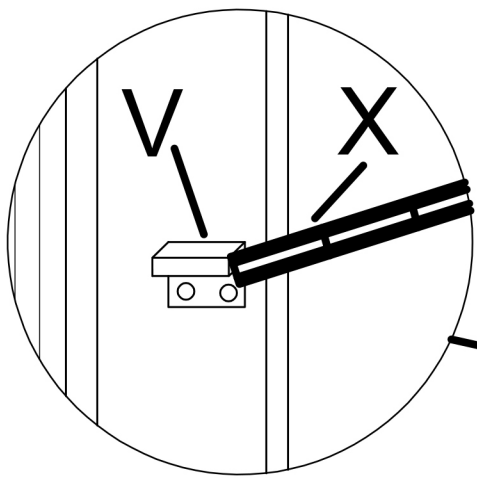
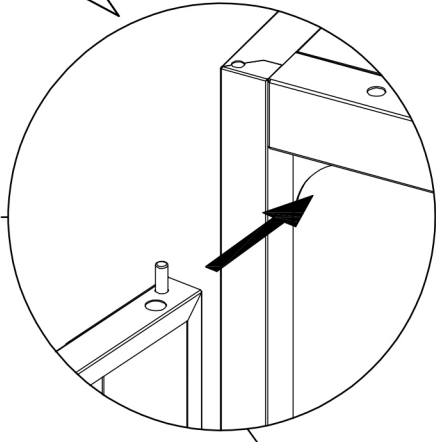
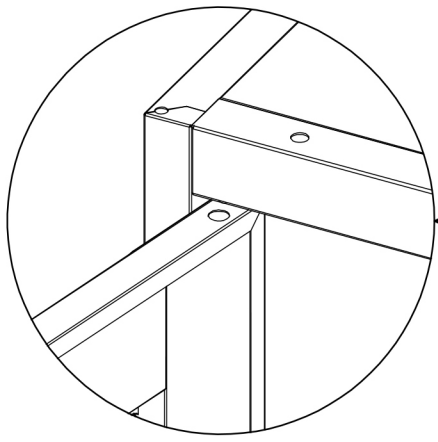
12



12. Install L

# 13

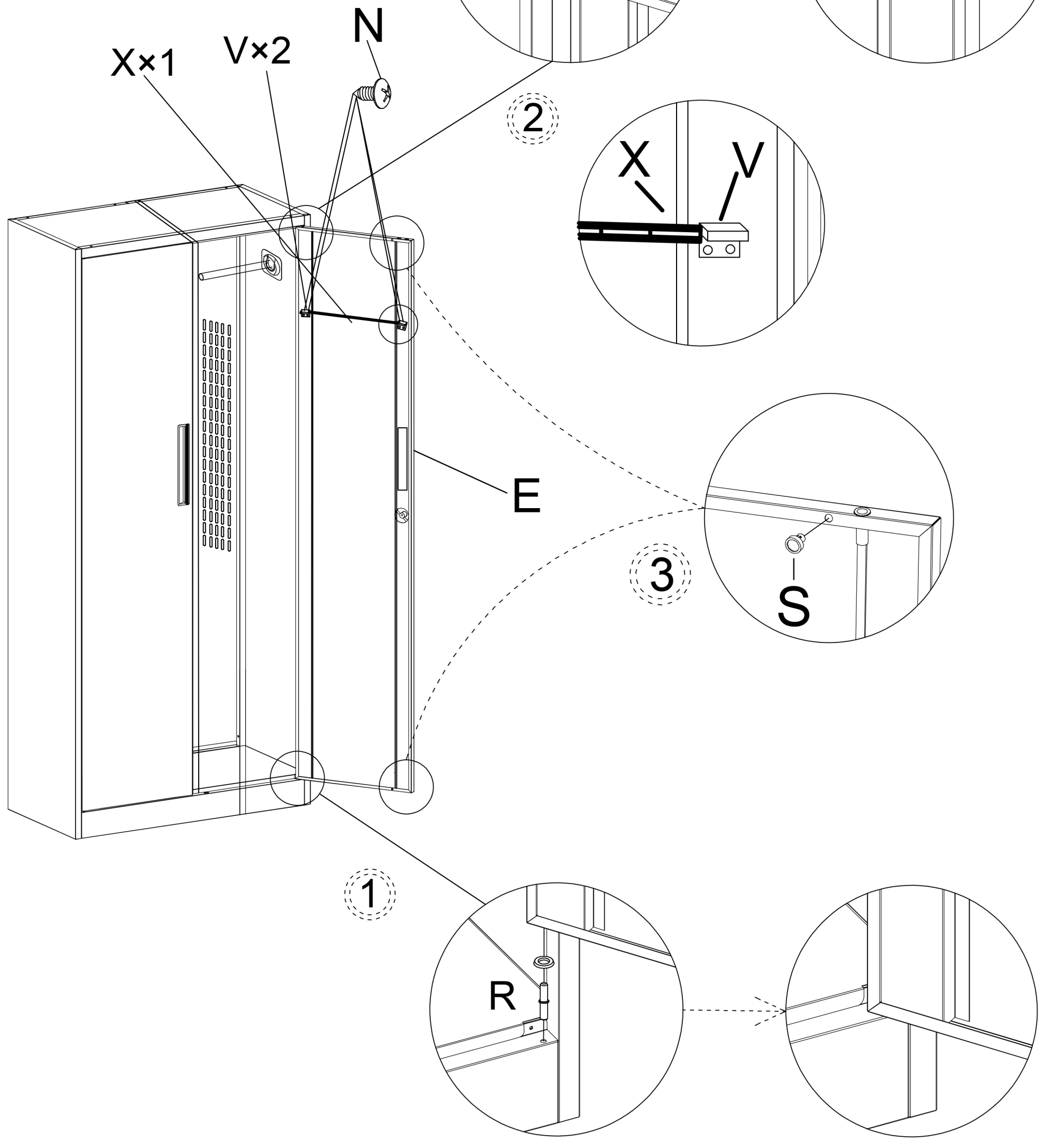
If the spring shaft is lost, spare parts U can be used.



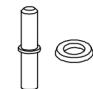
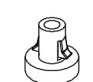
13. Install F and parts

	R×1
	S×2

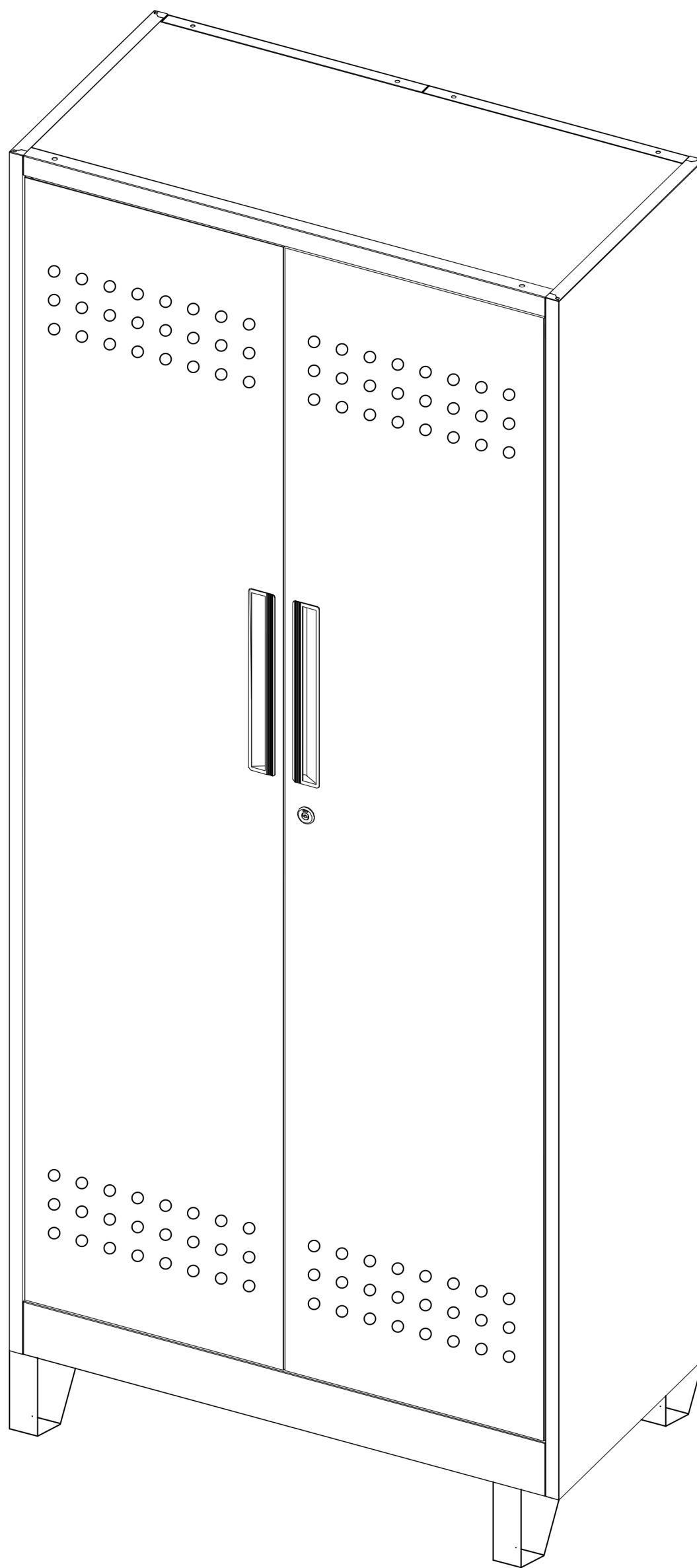
If the spring shaft is lost, spare parts U can be used.



14. Install F and parts

	<b>Rx1</b>
	<b>Sx2</b>

15



15. End assembly