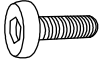
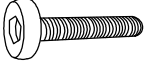

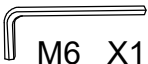
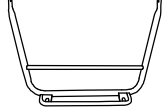

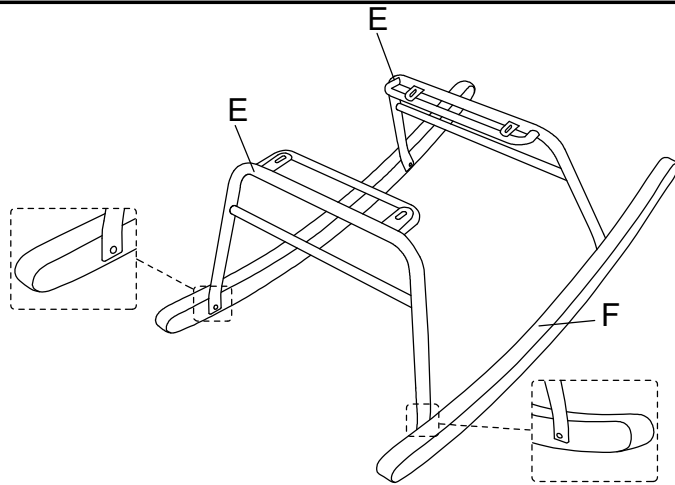


# ASSEMBLY INSTRUCTIONS

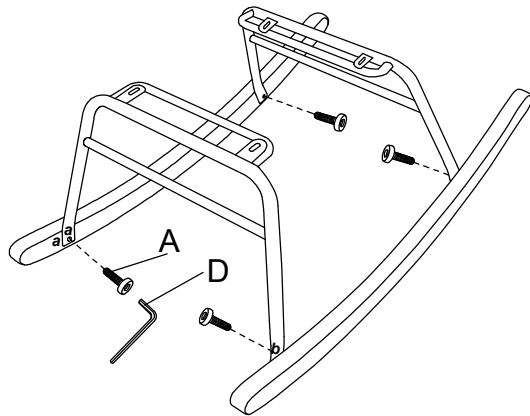
NO.: DK-10307

<b>A</b>  M6*16mm X8	<b>B</b>  M6*50mm X1	<b>C</b>  M6*16mm X1
<b>D</b>  M6 X1	<b>E</b>  X2	<b>F</b>  X2

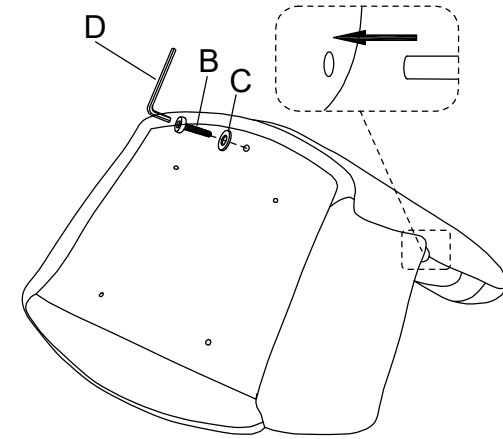
STEP 1



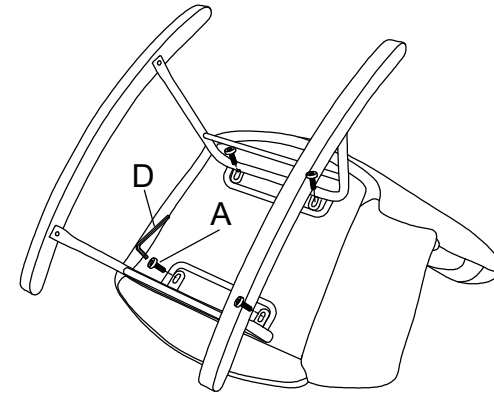
STEP 2



STEP 3



STEP 4



STEP 5

