



KORUITEN

INSTRUCTION MANUAL





If there is any trouble with assembly or missing or damaged parts, please contact us with detailed pictures and your order number via

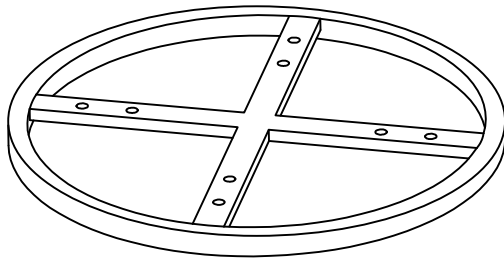
Email: 15327385565@163.com

IMPORTANCE

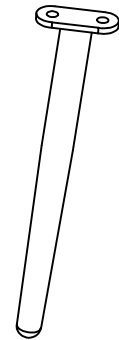
1. Please DO NOT fix screws tightly until all screws and holes have been connected successfully.
2. Thread the screws a little bit first, leave them loose until ALL screws are in, and then tighten them all.
3. Please email us with PICTURES of parts and SKU# info. on box marks if there is any trouble with assembly or missing or damaged parts.
4. Don't expose cushions in the BURNING sun for a long time, please cover the set or put cushions in door during rainy or snowy days.
5. Please DO NOT discard packing boxes before all parts are assembled successfully.
6. DO NOT touch the glass with bare hands if the glass is broken during the express shipping.

Thank you!

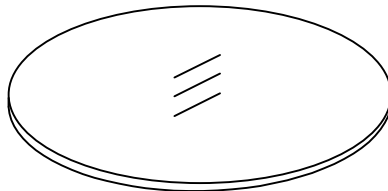
Parts List of Coffee Table



A 1PCS
(Coffee Table Top)



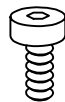
B 4PCS
(Stool Legs)



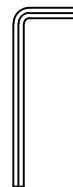
1PCS
(Glass)



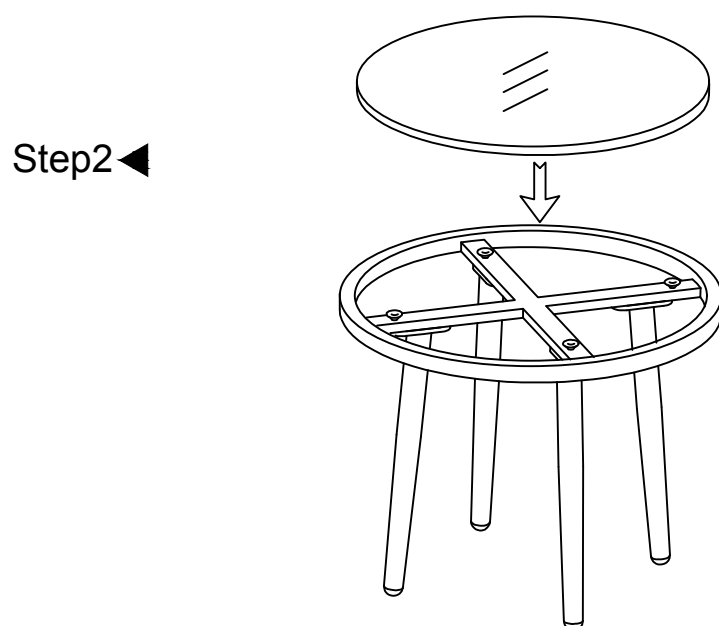
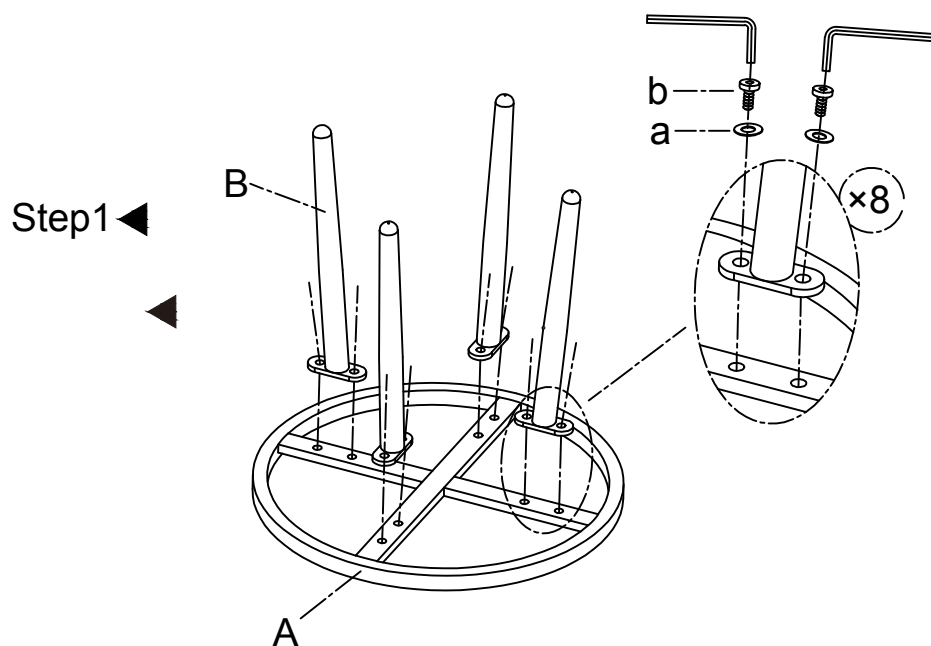
a
Ø6
8PCS



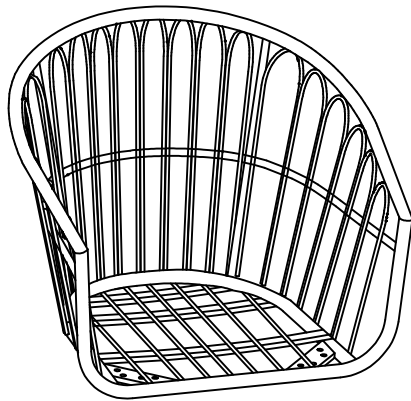
b
M6*16mm
8PCS



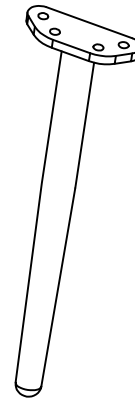
Allen Key
1PCS



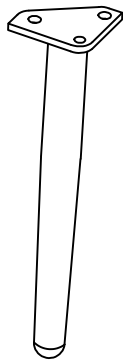
Parts List of Single Chair



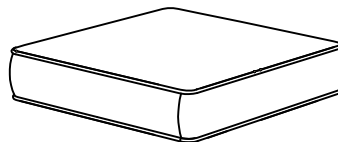
C 1PCS
(Seat Panel)



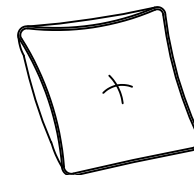
D 2PCS
(Forelegs)



E 2PCS
(Hind leg)



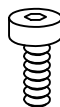
1PCS
(Cushion)



1PCS
(Pillow)



a
Ø6
22PCS



c
M6*20mm
14PCS



d
M6
8PCS

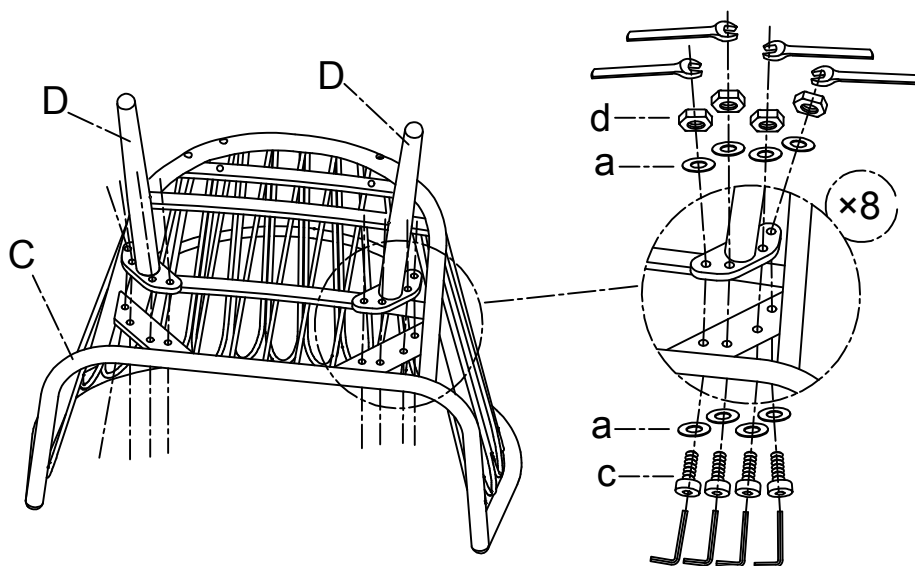


Allen Key
1PCS



Wrench
1PCS

Step1 ◀



Step2 ◀

