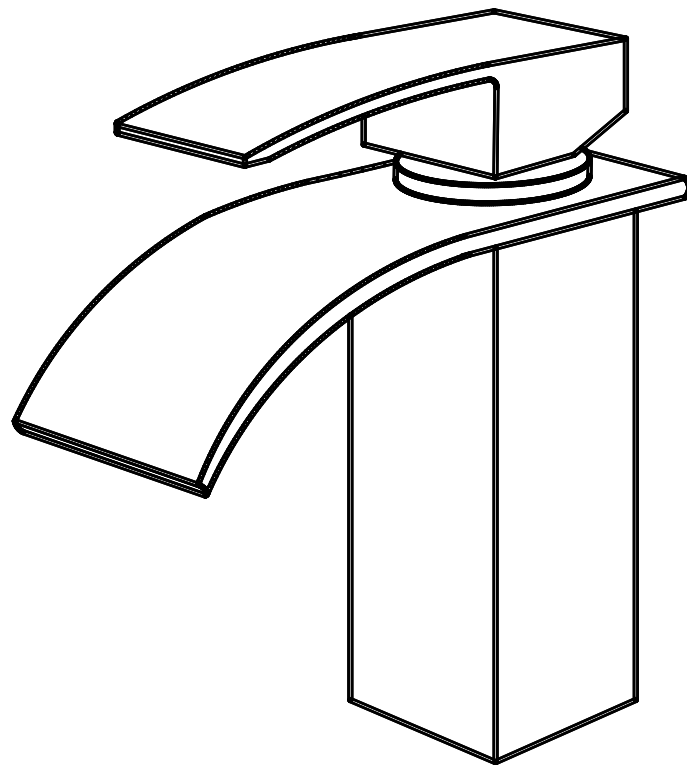


Installation Manual

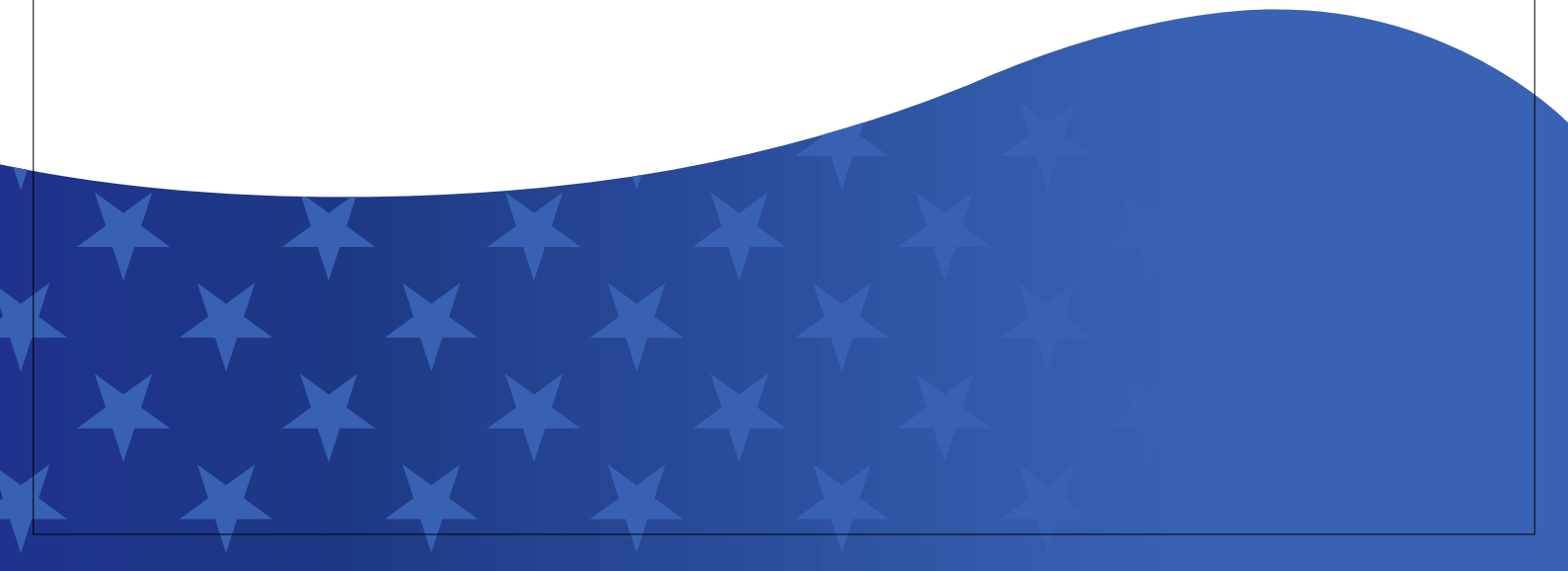


5017 SERIES

Single Handle Basin Faucet

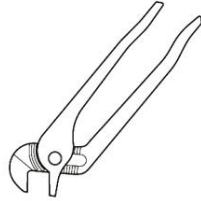
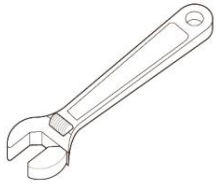
INDEX

1. Installation Guide P01
2. Installation Instruction P02

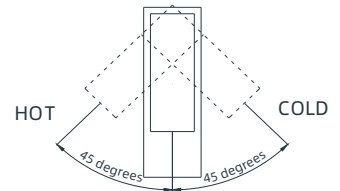
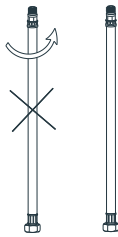
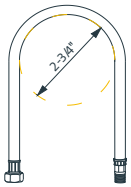


Installation Guide

YOU MAY NEED

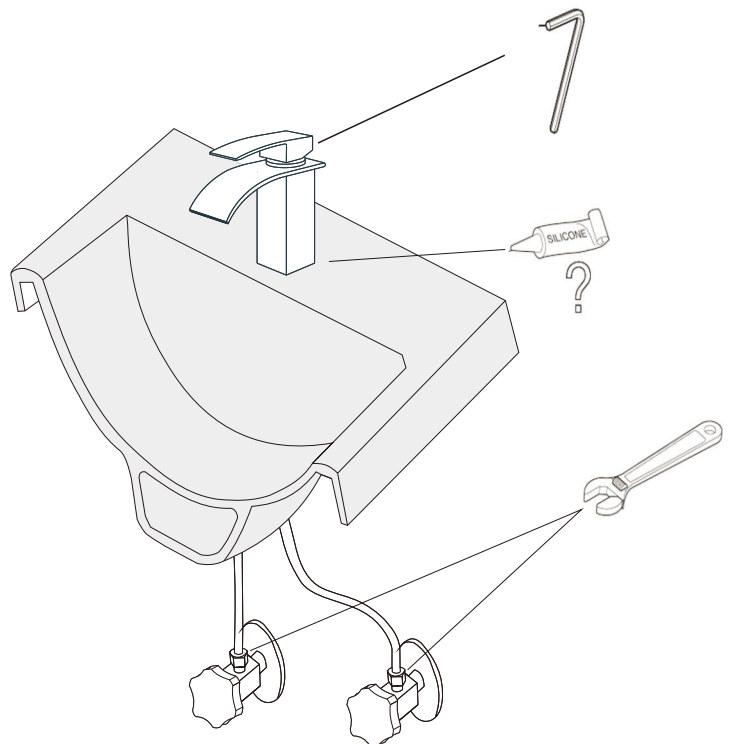


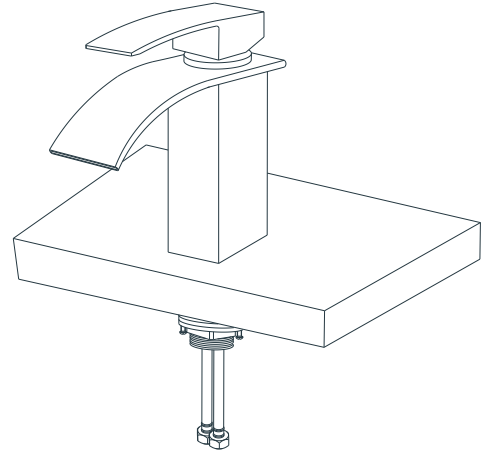
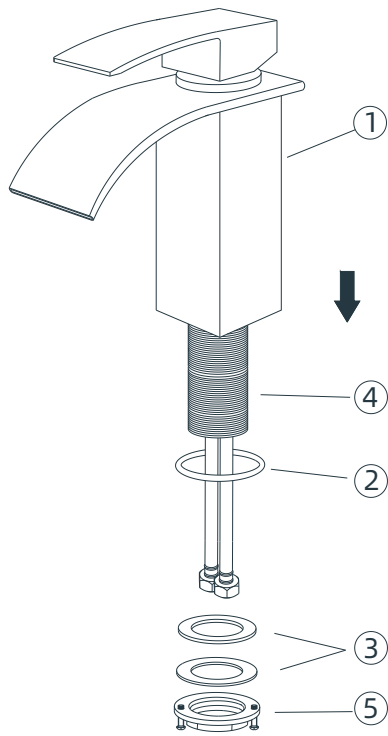
CAUTION



For easy installation of your faucet you will need:

- To **READ ALL** the instructions completely before beginning
- To **READ ALL** warnings, care and maintenance information.



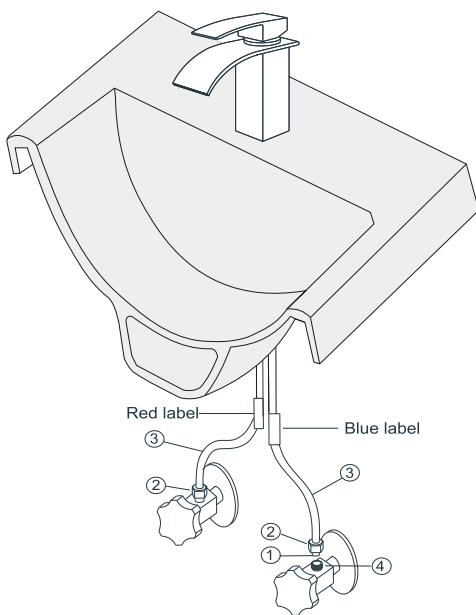


SHUT OFF WATERSUPPLIES

Disconnect and remove old faucet. Remove mounting nuts from threaded studs along with round shaped mounting hardware. Slide single hole faucet through sink hole. Ensure O-Ring(2) are aligned under spout. Position faucet(1) with O-Ring(2) and spout flange on sink.

OPTION:

If surface of sink is uneven, use silicone under the gasket. Place mounting hardware(3) over mounting studs(4) under sink, round shaped gasket then metal round shaped mounting plate. Secure with mounting nuts(5). Tighten mounting nuts securely.



CONNECT TO WATER SUPPLIES

Make sure all fitting and end connections are free of debris. Faucet connections(1) are (3/8") compression fittings. Secure metal nut(2) on faucet supply hoses(3) to supply valve connections(4) and hard tighten, then tighten one additional revolution with wrench. DO NOT OVER TIGHTEN. Repeat for other hose connection making sure the hose with the hot label is connected to the cold supply valve.

WARNING

Do not use pipe dope or other sealants on water connections. If the angle valve is not compatible with the inlet pipe, you need to use an adapter connector.