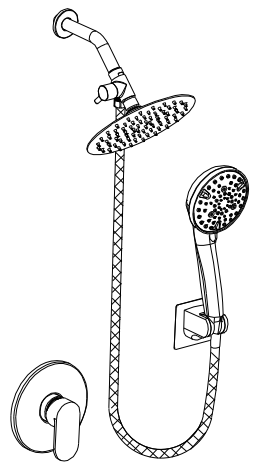


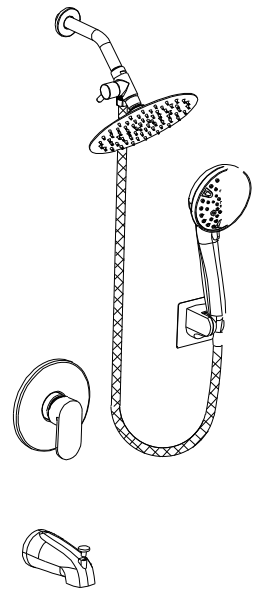
Installation Manual



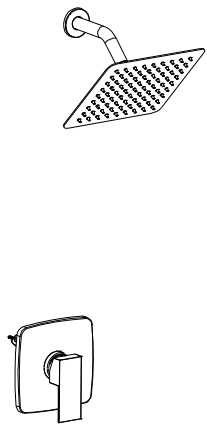
Model:94101



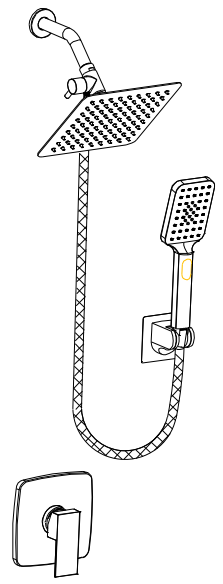
Model:94102



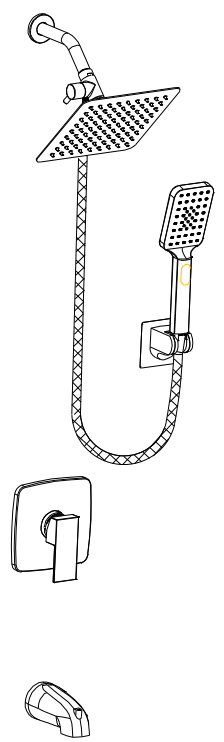
Model:94103



Model:94201



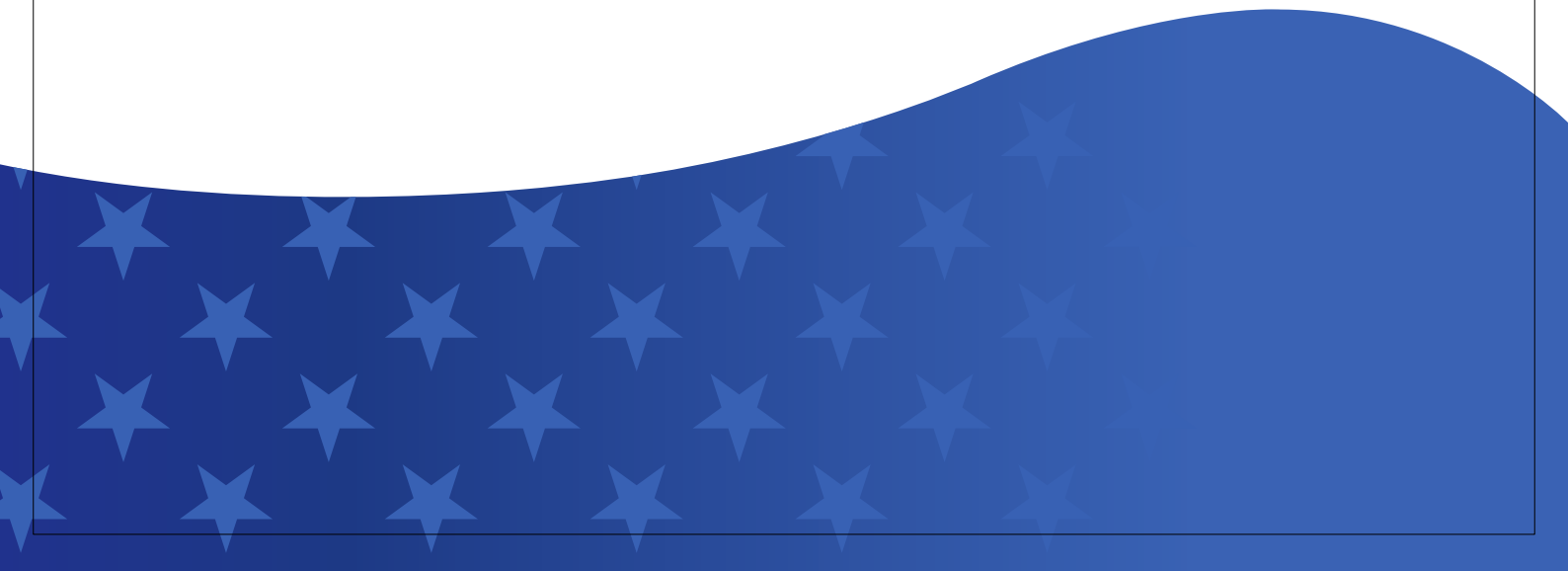
Model:94202



Model:94203

INDEX

1. Installation Preparation & Maintenance.....	P01
2. 94101-8.....	P02-04
3. 94102-8.....	P05-07
4. 94103-8.....	P08-10
5. 94201-8.....	P11-13
6. 94202-8.....	P14-16
7. 94203-8.....	P17-19



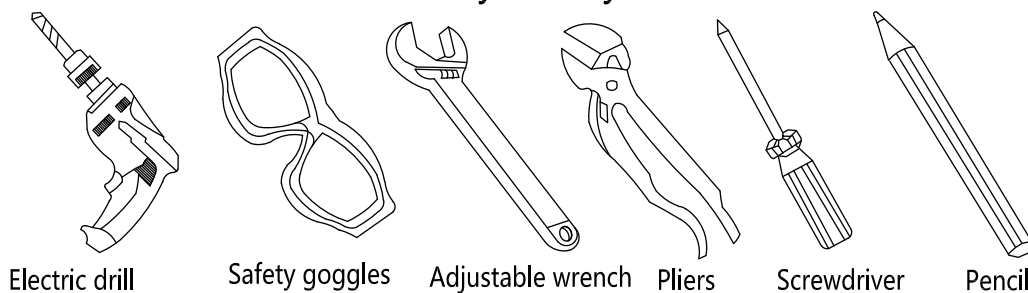
1. Installation Precautions

1. When you open the product packing, please check the product and accessories at first. If there is any discrepancy, please contact the company or our distributor immediately.
2. The hot and cold water supply pipe of the faucet must be properly connected. When facing the front of the faucet, the hot water supply is on the left and cold water supply is on the right. Incorrect connection will cause permanent damage to the cartridge.
3. If the accessories to be changed without affecting the use, we will not make a prior notice.
4. The impurities in the water supply pipe must be cleared before installation to avoid blockage.
5. The water pressure of the faucet is 20 PSI -100 PSI (including cold water and hot water pressure) Applicable water temperature range: 40°F -170°F.

2. Preparation before installation

1. Please read the installation manual carefully before installation.
2. Installation work must be performed by a professional installer.
3. Installation tool.

Tools you may need.



Electric drill

Safety goggles

Adjustable wrench

Pliers

Screwdriver

Pencil

3. Product reparation

If the cartridge is worn out which cause leakage, please turn off the water source. Remove the handle, panel, and decorative cover in sequence, remove the gland with a wrench, then take out the cartridge and copper sleeve.

Repair or replace the new cartridge, then install it again in sequence.

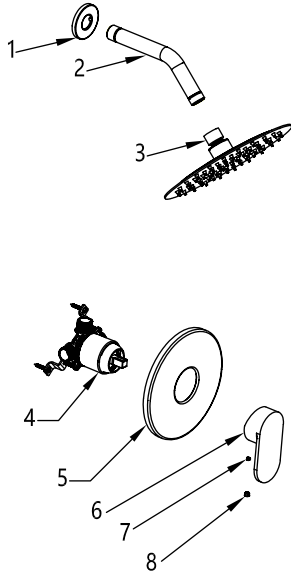
4. Clearance and Maintenance

In order to keep the faucet appearance smooth and good performance, please follow the below steps to clean and maintain the faucet.

1. Clean with water and dry with a soft cotton cloth.
2. Use a mild liquid and a colorless glass cleaner to remove surface dirt and scale, also you can use the cleaner without grinding function.
3. Do not use detergents, polishing tools, abrasive cloth, paper towels or scrapers to clean the faucet.
4. Do not use acid cleaners, insoluble granular detergents, soaps, etc to clean the faucet.

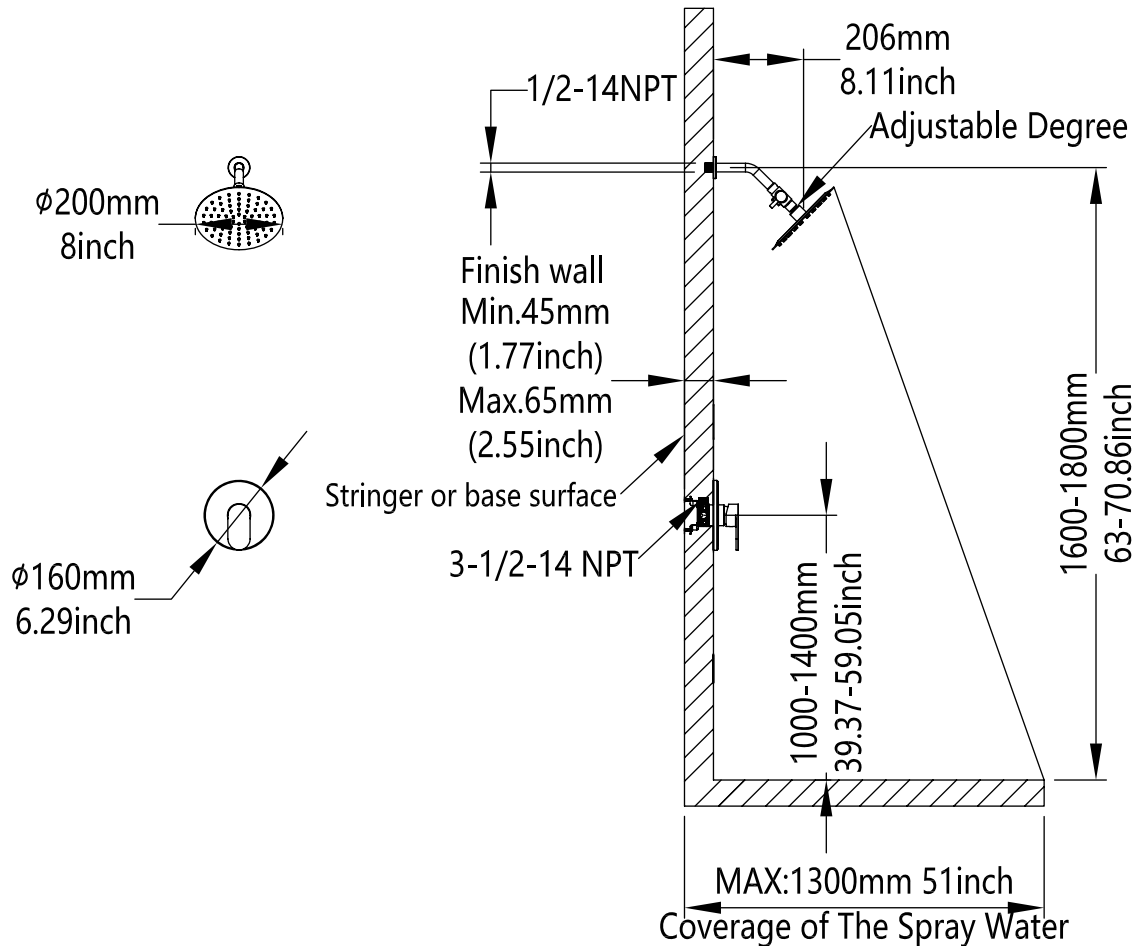
Model: 94101-8

Installation Instruction 1/3



No	Description	QTY
1	Decorative Cover	1
2	Shower Arm	1
3	Shower Head	1
4	Rough-in Valve	1
5	Panel	1
6	On/off Handle	1
7	Hexagonal Screw	1
8	Decorative Hat	1

Installation Instruction



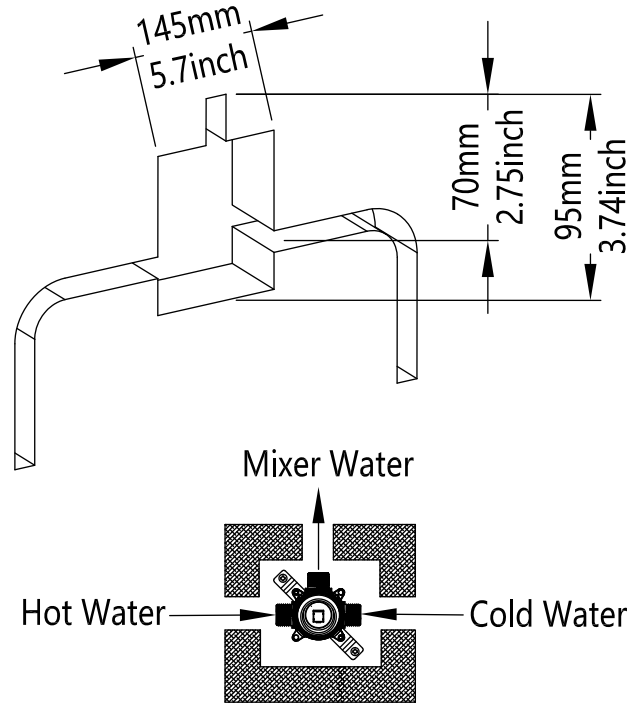
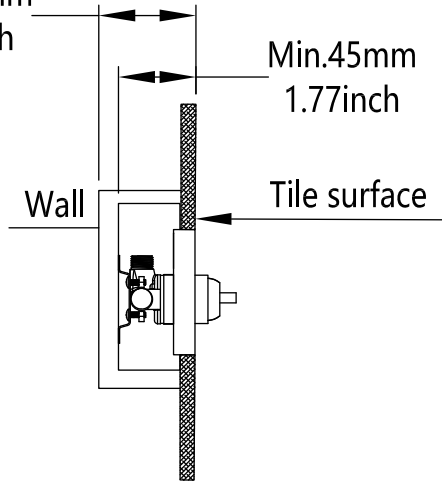
Model: 94101-8

Installation Instruction 2/3

1.The size of the embedded box that needs to be drilled is 5.7" *3.74"

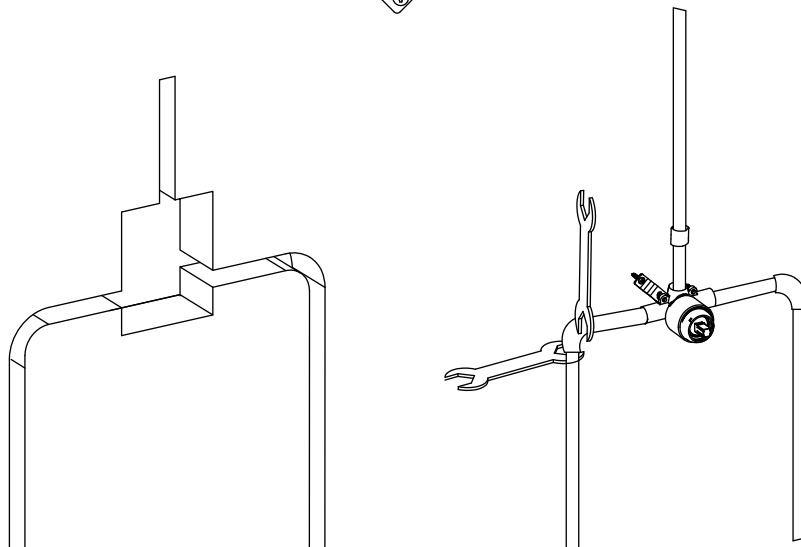
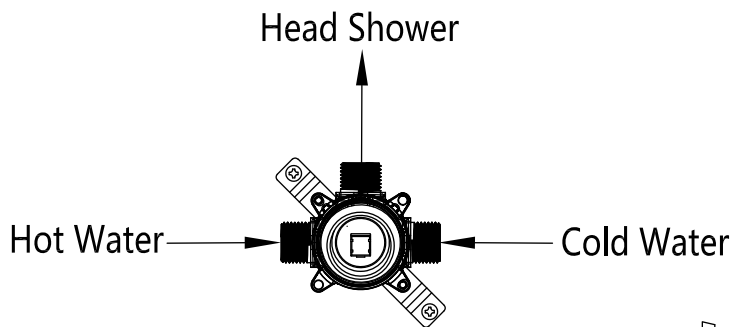
2.The depth of the embedded box is 1.77" - 2.55"
It's better to drill the depth of 1.77"for blank wall

Max.65mm
2.55inch



Pipe Connection

- 1.Please drill the holes on the wall for the main body embedded part, hot and cold water inlet pipes as well as shower arm connection pipes according to the basic product dimension drawing as below.
- 2.Please make hot and cold water inlet pipe, the mixed water outlet pipe connect with control valve, and tightened with the wrench.

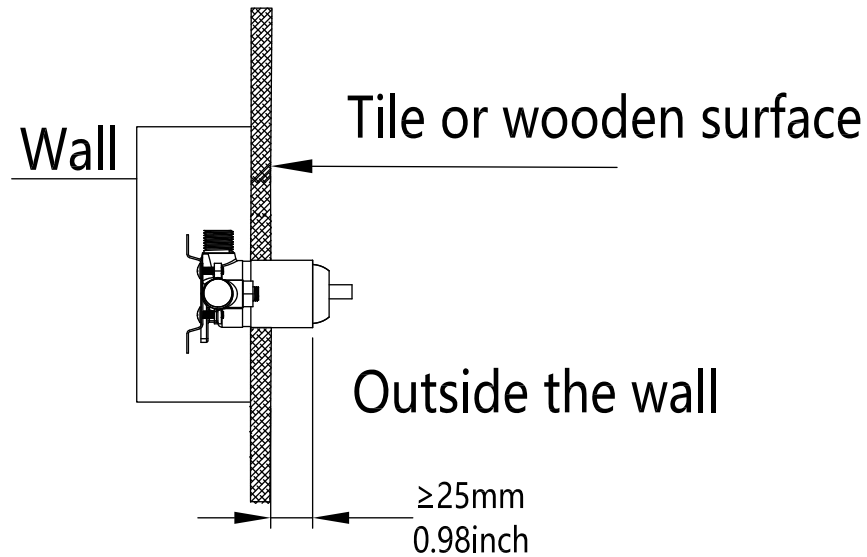


Model: 94101-8

Installation Instruction 3/3

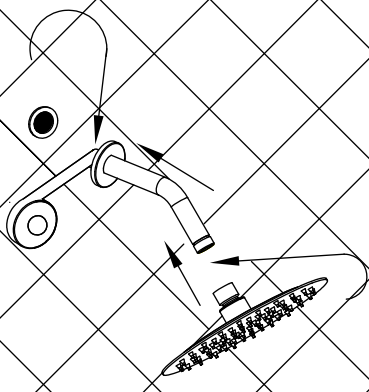
The Procedure of Sealing The Wall

Use a parallel ruler to measure the flatness of the embedded box casing and the vertical wall surface. If the wall surface is not flat, it should be patched to ensure the embedded box casing and vertical wall angle meets at nearly ideal angle of 90, then lay the tile decoration.



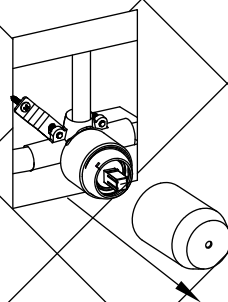
Head Shower Installation

- 1.Wrap the tape around the pipe thread and screw it on the wall hole
- 2.Screw the head shower onto the outlet pipe thread

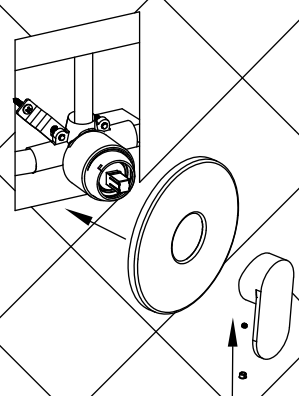


Installation of Rough-in Valve

- 1.Take off the protective cover

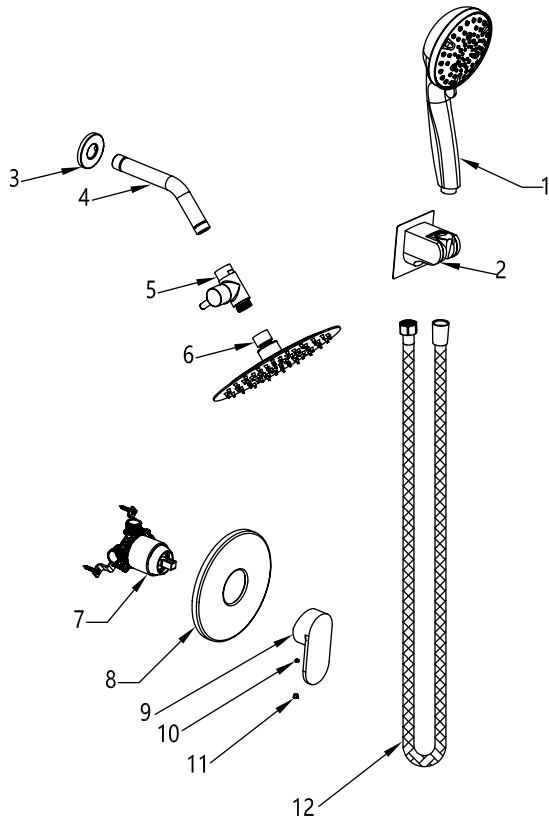


- 2.The panel and the handle are connected to the control valve as shown below sequence



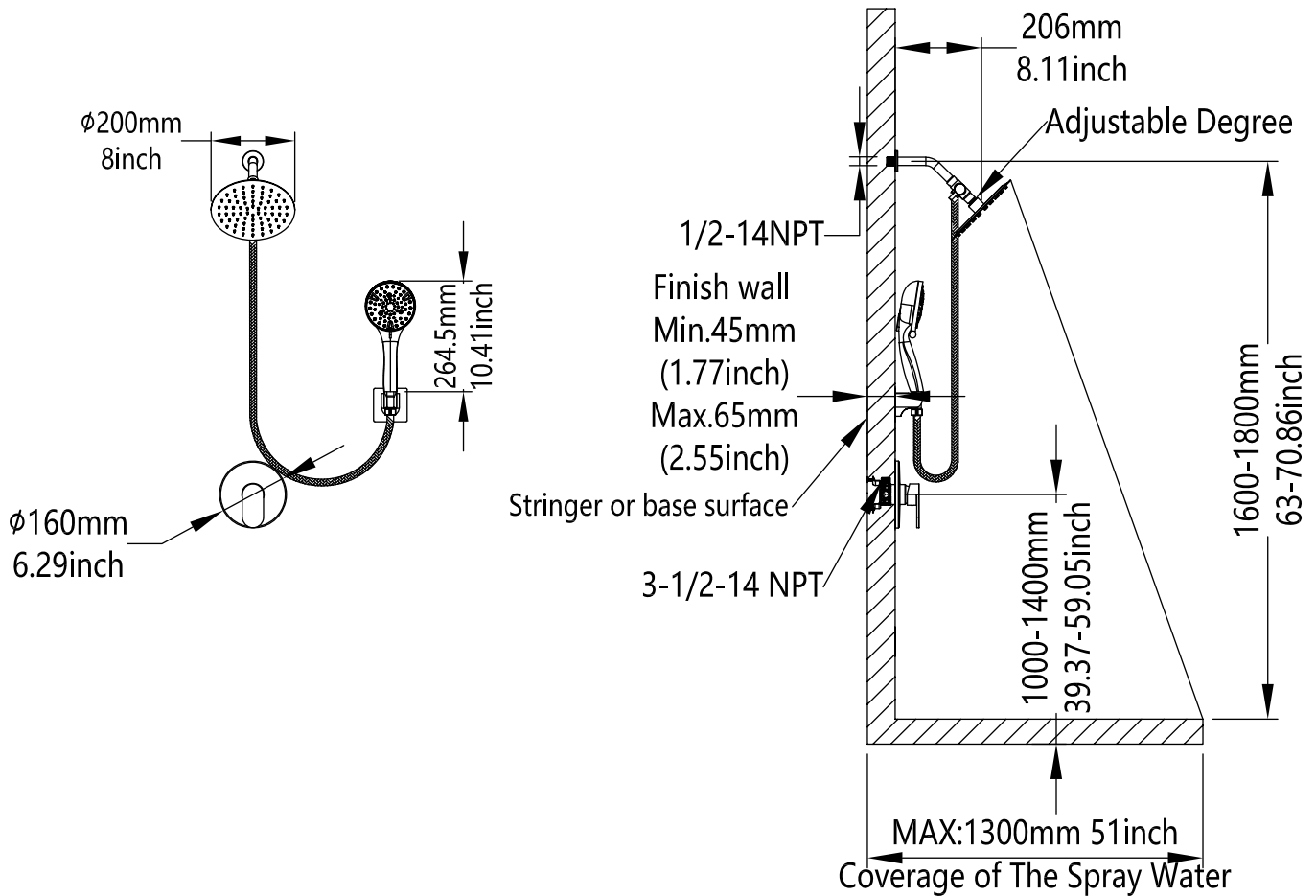
Model: 94102-8

Installation Instruction 1/3



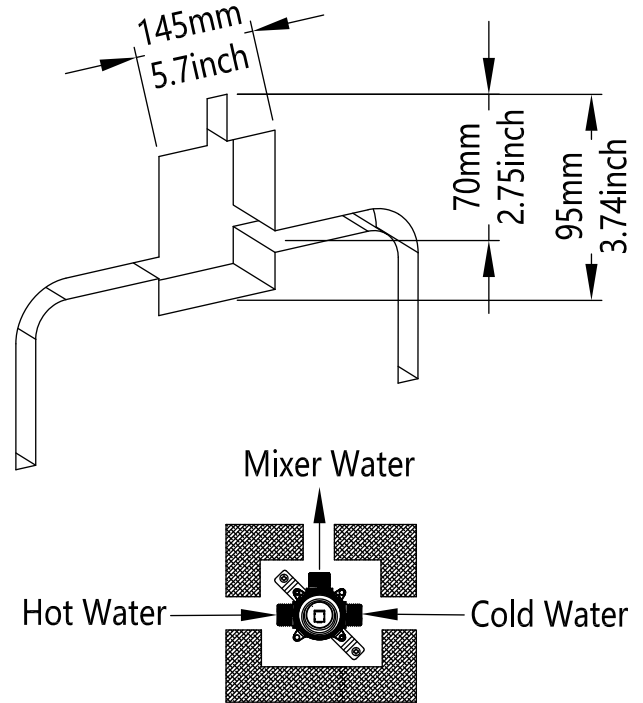
No	Description	QTY
1	Handle Shower	1
2	Shower Holder	1
3	Decorative Cover	1
4	Shower Arm	1
5	Water Distributor	1
6	Shower Head	1
7	Rough-in Valve	1
8	Panel	1
9	On/off Handle	1
10	Hexagonal Screw	1
11	Decorative Hat	1
12	Hose	1

Installation Instruction

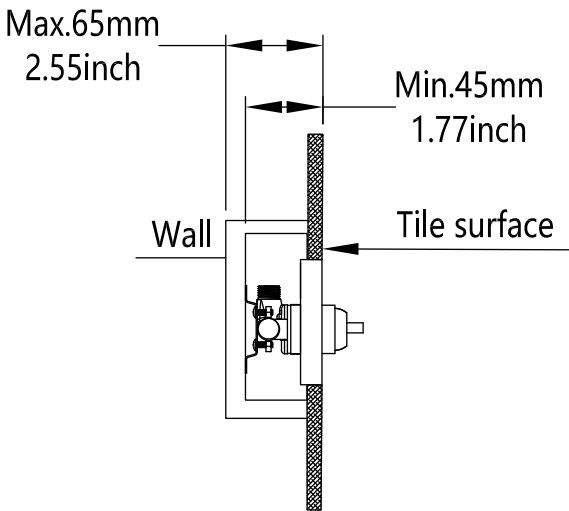


Model: 94102-8 Installation Instruction 2/3

1.The size of the embedded box that needs to be drilled is 5.7" *3.74"

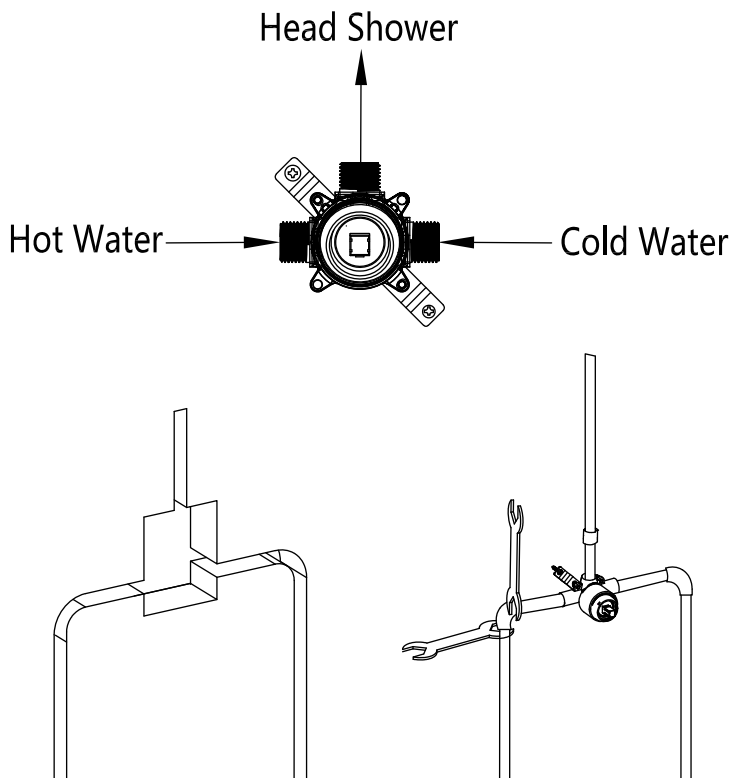


2.The depth of the embedded box is 1.77" - 2.55"
It's better to drill the depth of 1.77"for blank wall



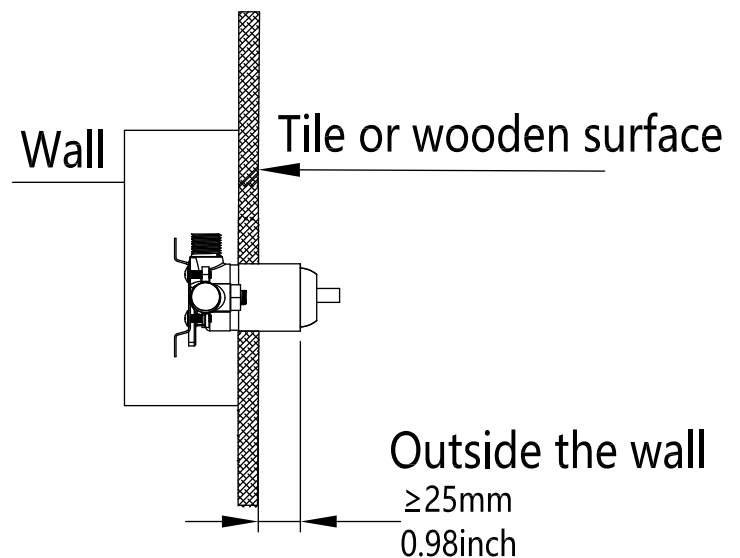
Pipe Connection

- 1.Please drill the holes on the wall for the main body embedded part, hot and cold water inlet pipes as well as shower arm connection pipes according to the basic product dimension drawing as below.
- 2.Please make hot and cold water inlet pipe, the mixed water outlet pipe connect with control valve, and tightened with the wrench.



The Procedure of Sealing The Wall

Use a parallel ruler to measure the flatness of the embedded box casing and the vertical wall surface. If the wall surface is not flat, it should be patched to ensure the embedded box casing and vertical wall angle meets at nearly ideal angle of 90, then lay the tile decoration.

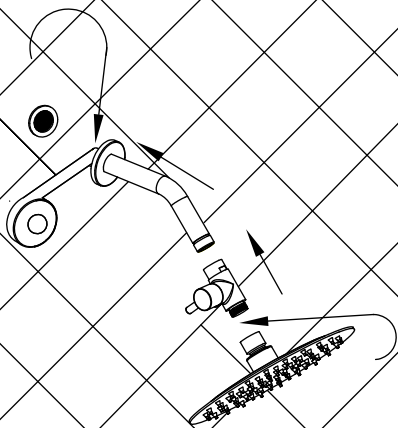


Model: 94102-8

Installation Instruction 3/3

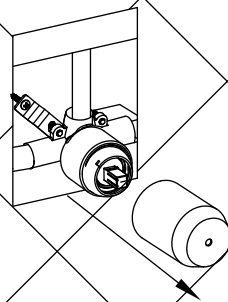
Head Shower Installation

- 1.Wrap the tape around the pipe thread and screw it on the wall hole
- 2.Screw the head shower and diverter to the water outlet pipe thread

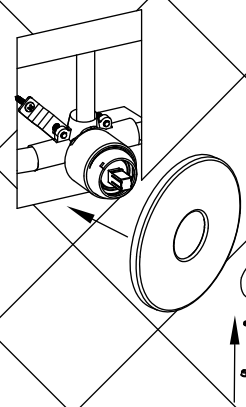


Installation of Rough-in Valve

- 1.Take off the protective cover



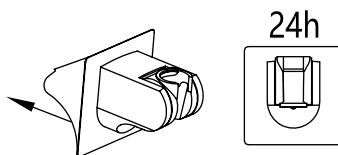
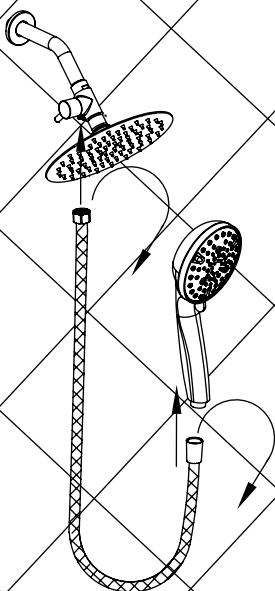
- 2.The panel and the handle are connected to the control valve as shown below sequence



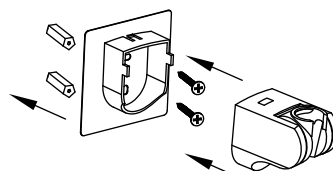
Handle Shower Installation

- 1.Wipe the wall clean, tear off the non-adhesive film of the shower seat, press and stick it on the wall, and use it after 24 hours.

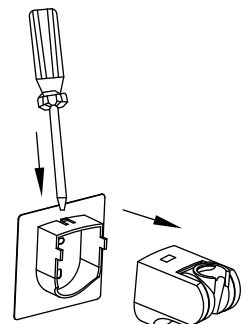
or



- 2.Put an expansion sleeve on the hole wall, tighten the screws, and combine the two accessories of the shower seat.

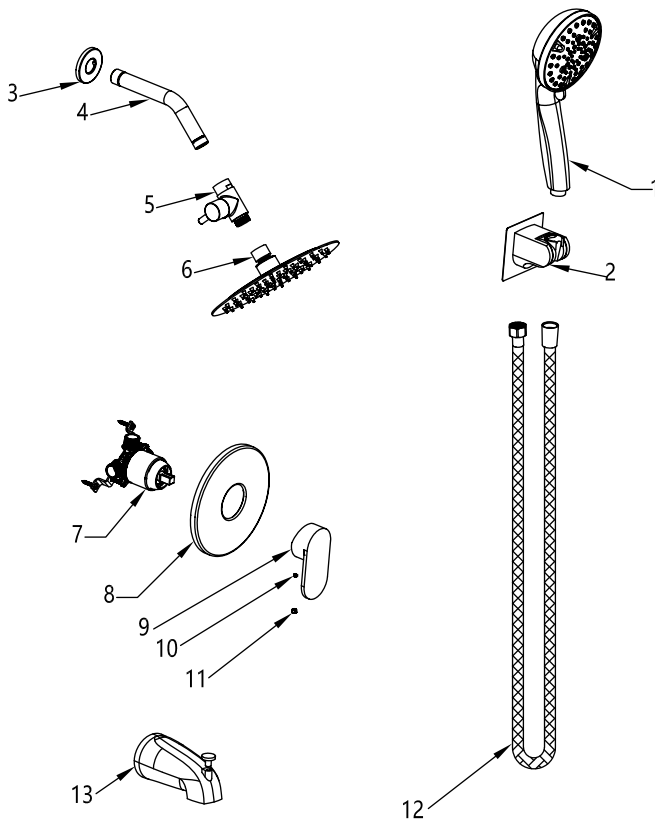


- 1.Use a flat-blade screwdriver to insert into the separation hole, press to separate the two accessories.



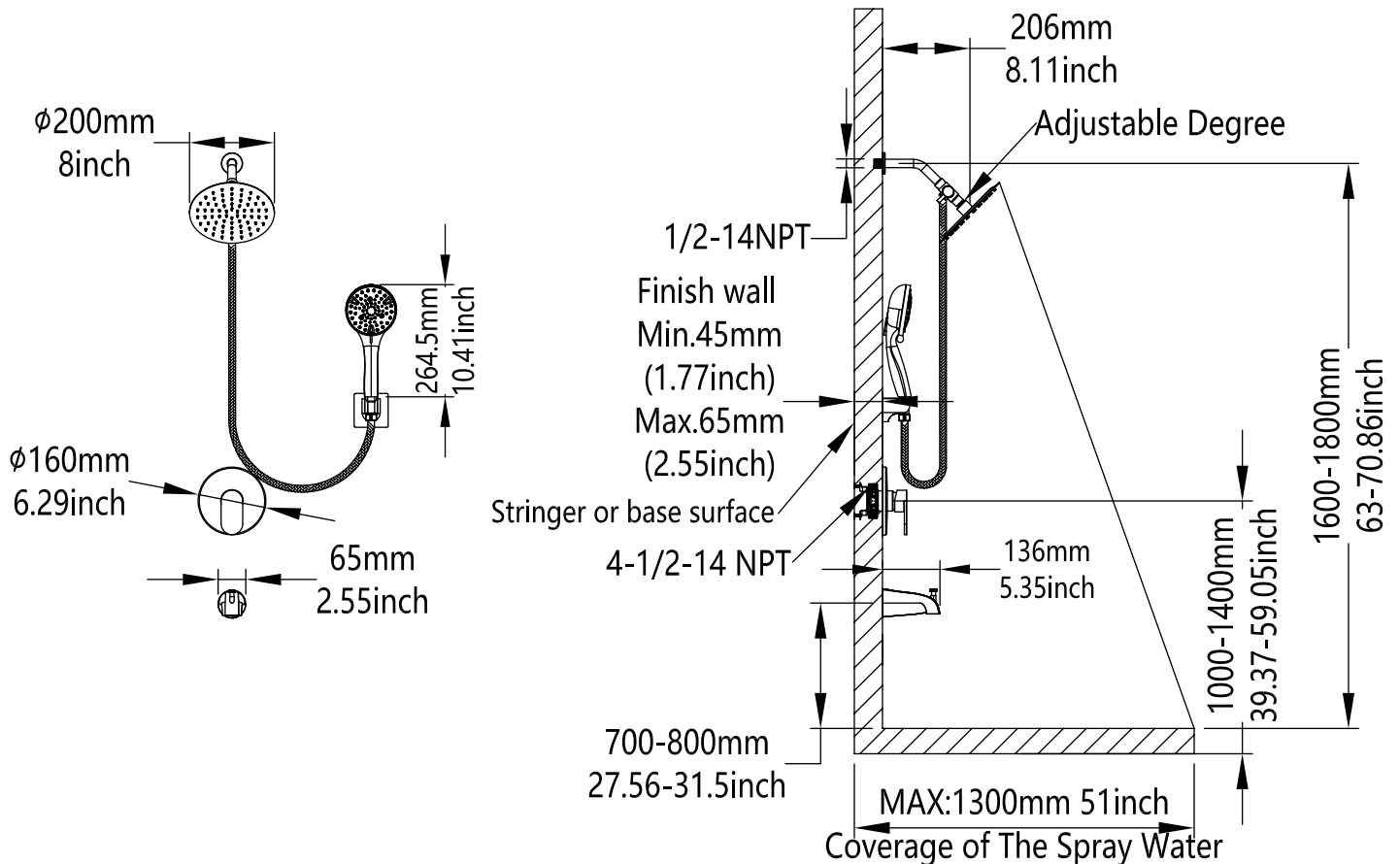
Model: 94103-8

Installation Instruction 1/3



No	Description	QTY
1	Handle Shower	1
2	Shower Holder	1
3	Decorative Cover	1
4	Shower Arm	1
5	Water Distributor	1
6	Shower Head	1
7	Rough-in Valve	1
8	Panel	1
9	On/off Handle	1
10	Hexagonal Screw	1
11	Decorative Hat	1
12	Hose	1
13	Bathtub spout	1

Installation Instruction



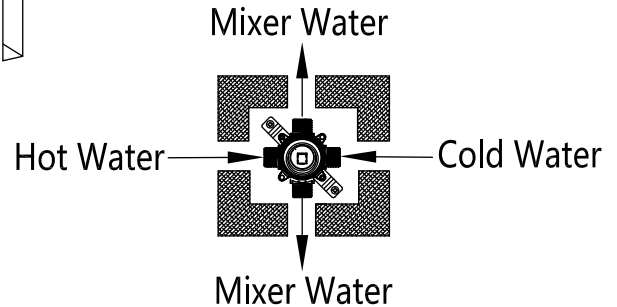
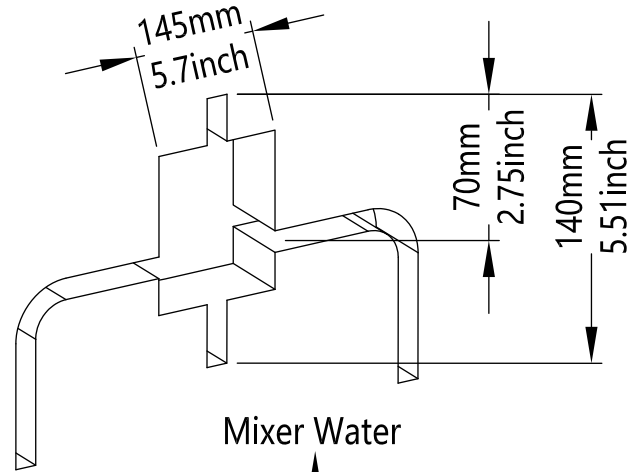
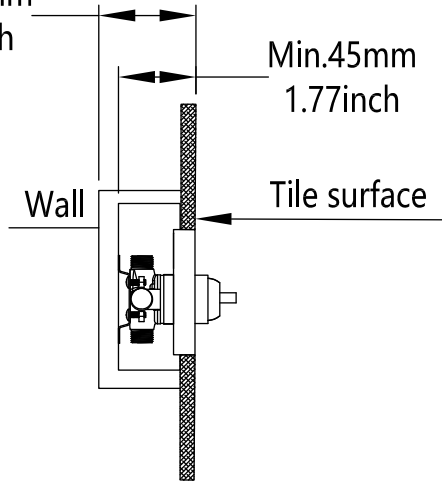
Model: 94103-8

Installation Instruction 2/3

1.The size of the embedded box that needs to be drilled is 5.7" *5.51"

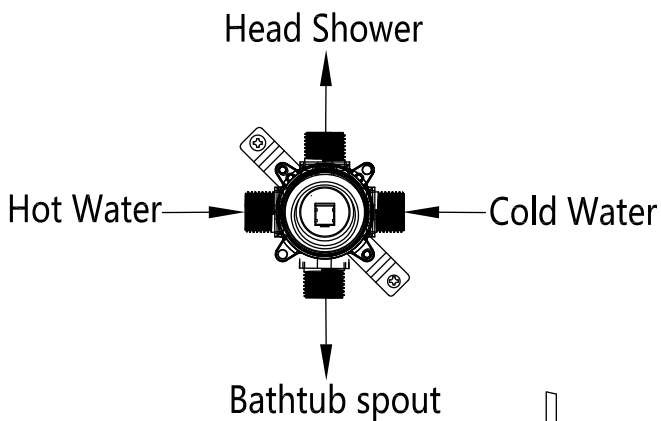
2.The depth of the embedded box is 1.77" - 2.55"
It's better to drill the depth of 1.77"for blank wall

Max.65mm
2.55inch



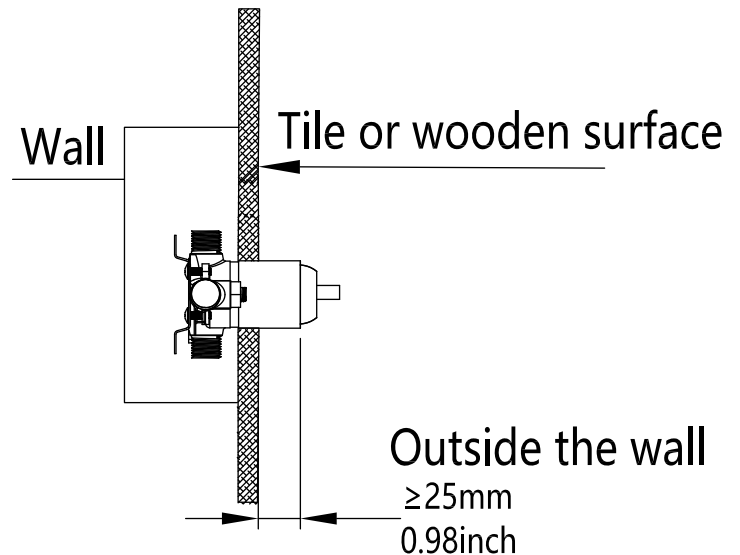
Pipe Connection

- 1.Please drill the holes on the wall for the main body embedded part, hot and cold water inlet pipes as well as shower arm connection pipes according to the basic product dimension drawing as below.
- 2.Please make hot and cold water inlet pipe, the mixed water outlet pipe connect with control valve, and tightened with the wrench.



The Procedure of Sealing The Wall

Use a parallel ruler to measure the flatness of the embedded box casing and the vertical wall surface. If the wall surface is not flat, it should be patched to ensure the embedded box casing and vertical wall angle meets at nearly ideal angle of 90, then lay the tile decoration.

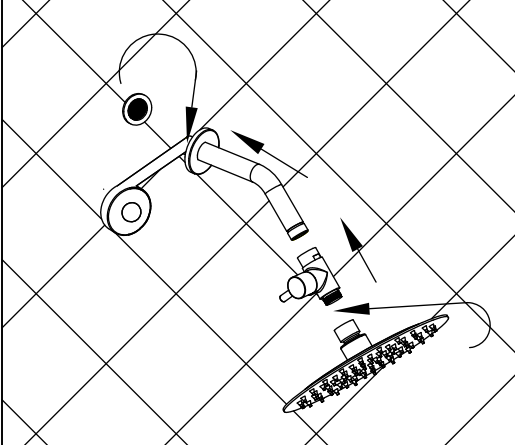


Model: 94103-8

Installation Instruction 3/3

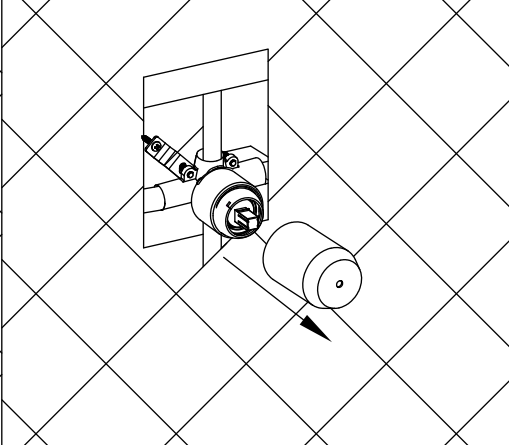
Head Shower Installation

- 1.Wrap the tape around the pipe thread and screw it on the wall hole
- 2.Screw the head shower and diverter to the water outlet pipe thread

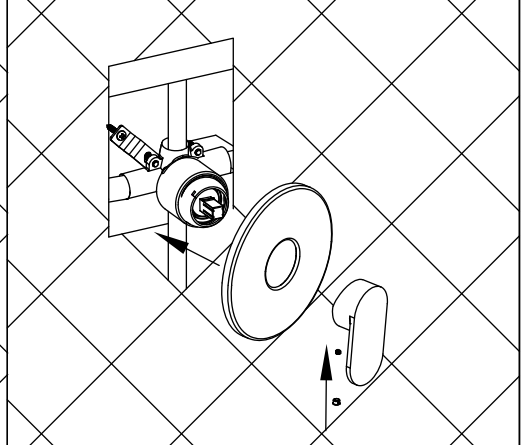


Installation of Rough-in Valve

- 1.Take off the protective cover

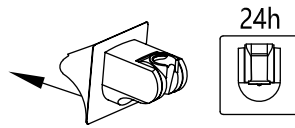
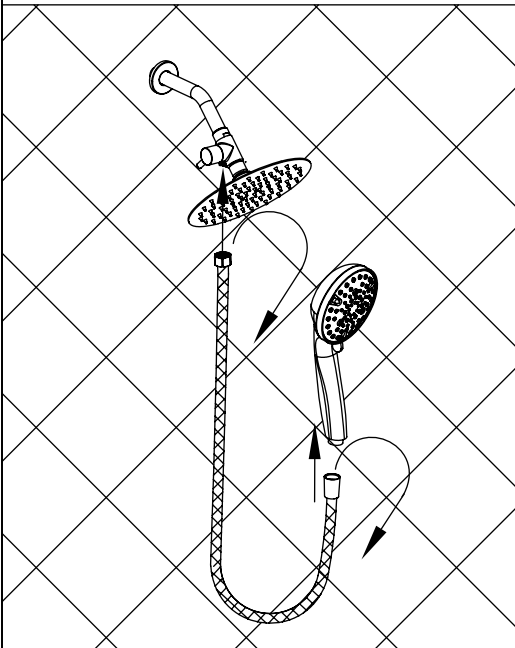


- 2.The panel and the handle are connected to the control valve as shown below sequence

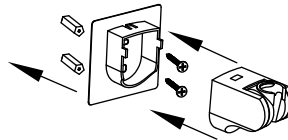


Handle Shower Installation

- 1.Wipe the wall clean, tear off the non-adhesive film of the shower seat, press and stick it on the wall, and use it after 24 hours.

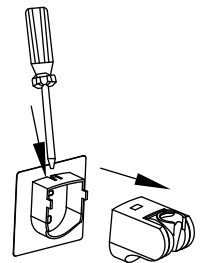


- 2.Put an expansion sleeve on the hole wall, tighten the screws, and combine the two accessories of the shower seat.



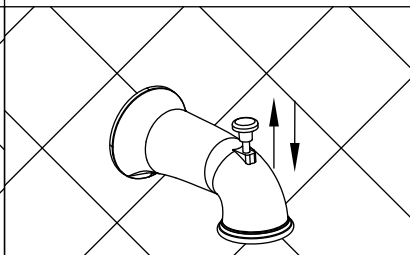
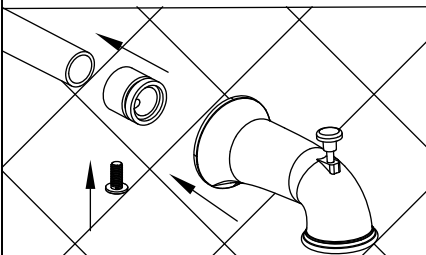
or

- 1.Use a flat-blade screwdriver to insert into the separation hole, press and separate the two accessories.

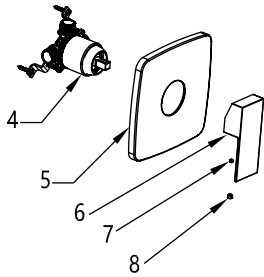
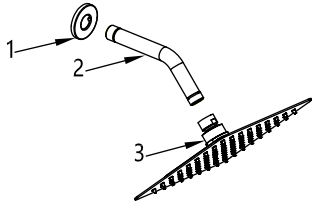


- 1.Remove the screw at the bottom and insert plastic connector into copper pipe,
- 2.Insert the water outlet into the plastic joint and tighten the screw.

Pull the handle up and down to switch the water outlet.

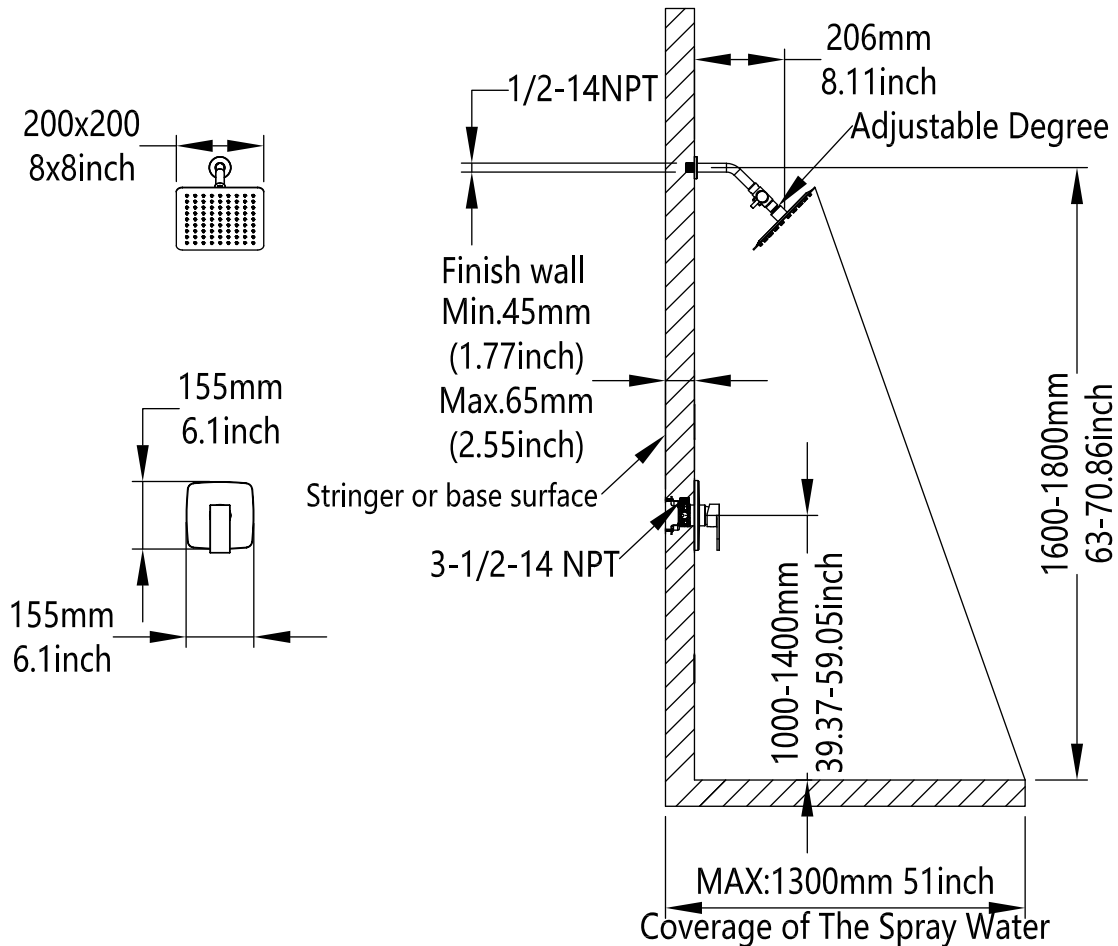


Model: 94201-8 Installation Instruction 1/3



No	Description	QTY
1	Decorative Cover	1
2	Shower Arm	1
3	Shower Head	1
4	Rough-in Valve	1
5	Panel	1
6	On/off Handle	1
7	Hexagonal Screw	1
8	Decorative Hat	1

Installation Instruction



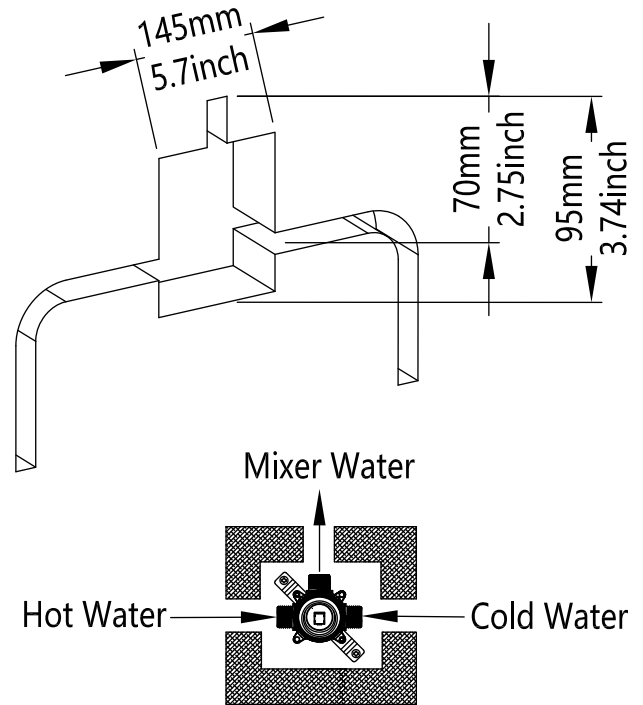
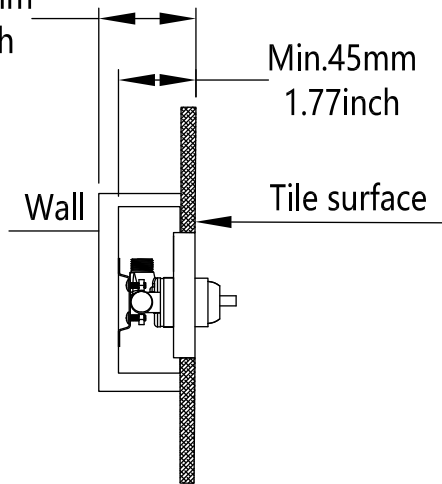
Model: 94201-8

Installation Instruction 2/3

1.The size of the embedded box that needs to be drilled is 5.7" *3.74"

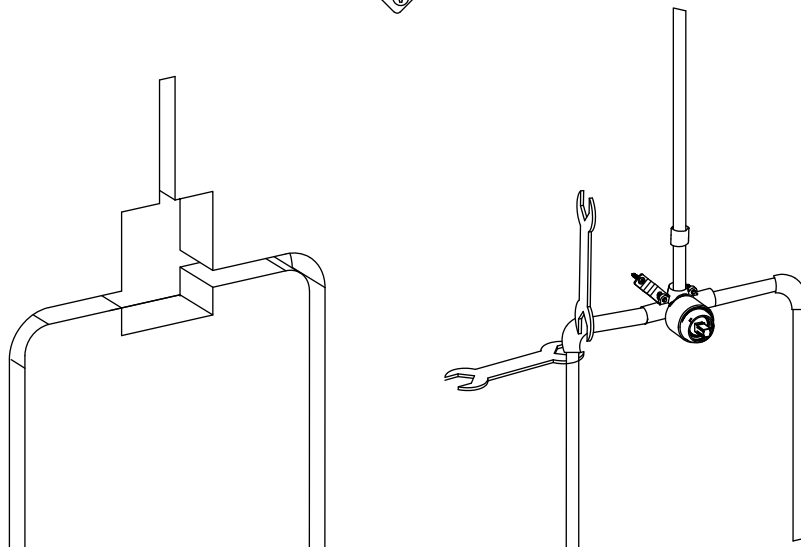
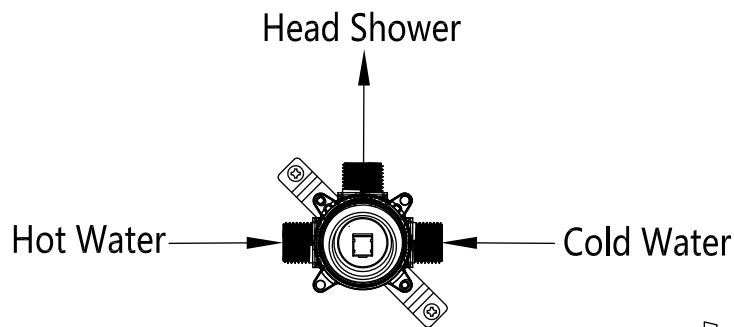
2.The depth of the embedded box is 1.77" - 2.55"
It's better to drill the depth of 1.77"for blank wall

Max.65mm
2.55inch



Pipe Connection

- 1.Please drill the holes on the wall for the main body embedded part, hot and cold water inlet pipes as well as shower arm connection pipes according to the basic product dimension drawing as below.
- 2.Please make hot and cold water inlet pipe, the mixed water outlet pipe connect with control valve, and tightened with the wrench.

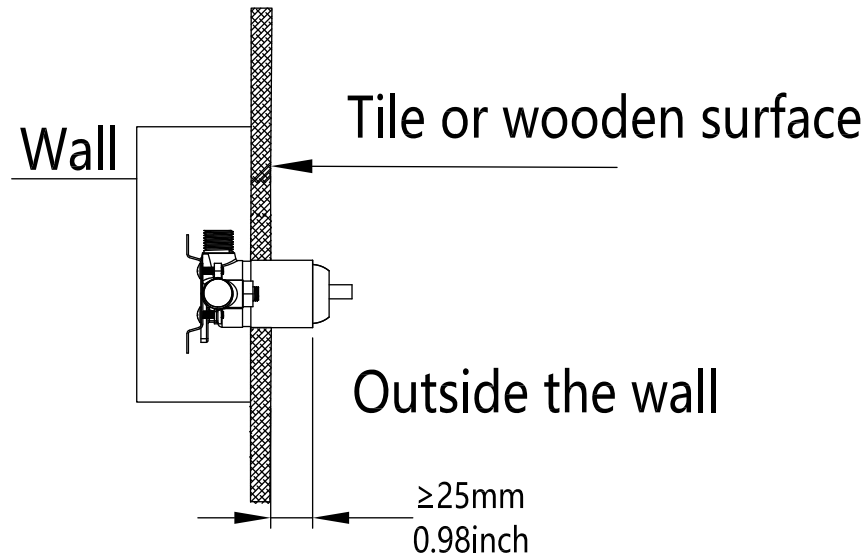


Model: 94201-8

Installation Instruction 3/3

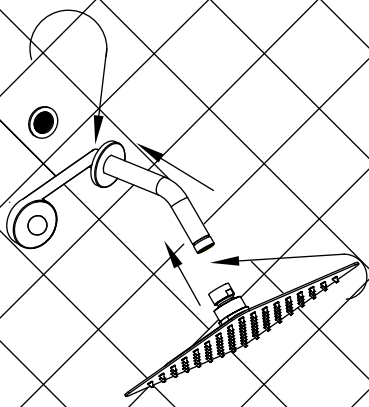
The Procedure of Sealing The Wall

Use a parallel ruler to measure the flatness of the embedded box casing and the vertical wall surface. If the wall surface is not flat, it should be patched to ensure the embedded box casing and vertical wall angle meets at nearly ideal angle of 90, then lay the tile decoration.



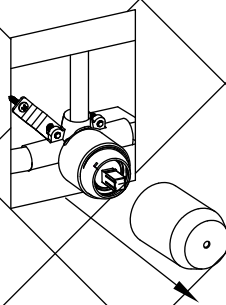
Head Shower Installation

- 1.Wrap the tape around the pipe thread and screw it on the wall hole
- 2.Screw the head shower onto the outlet pipe thread

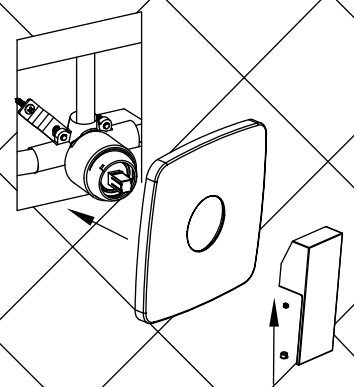


Installation of Rough-in Valve

- 1.Take off the protective cover

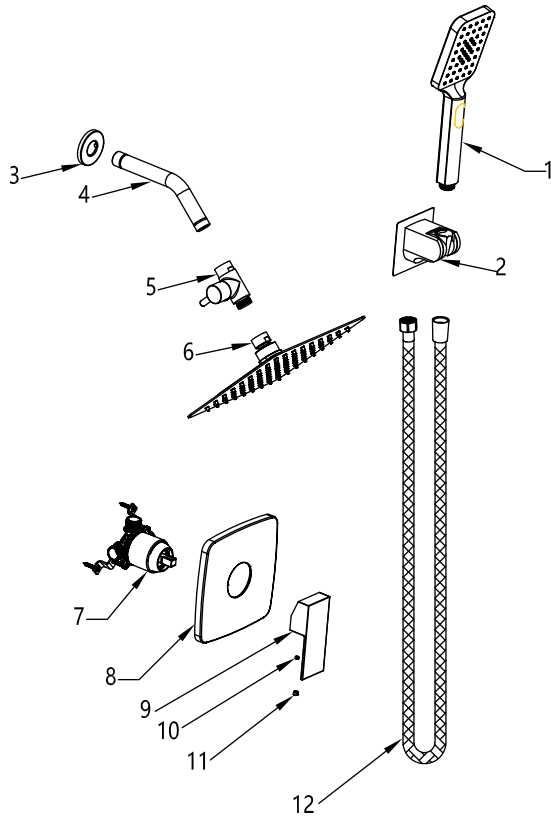


- 2.The panel and the handle are connected to the control valve as shown below sequence



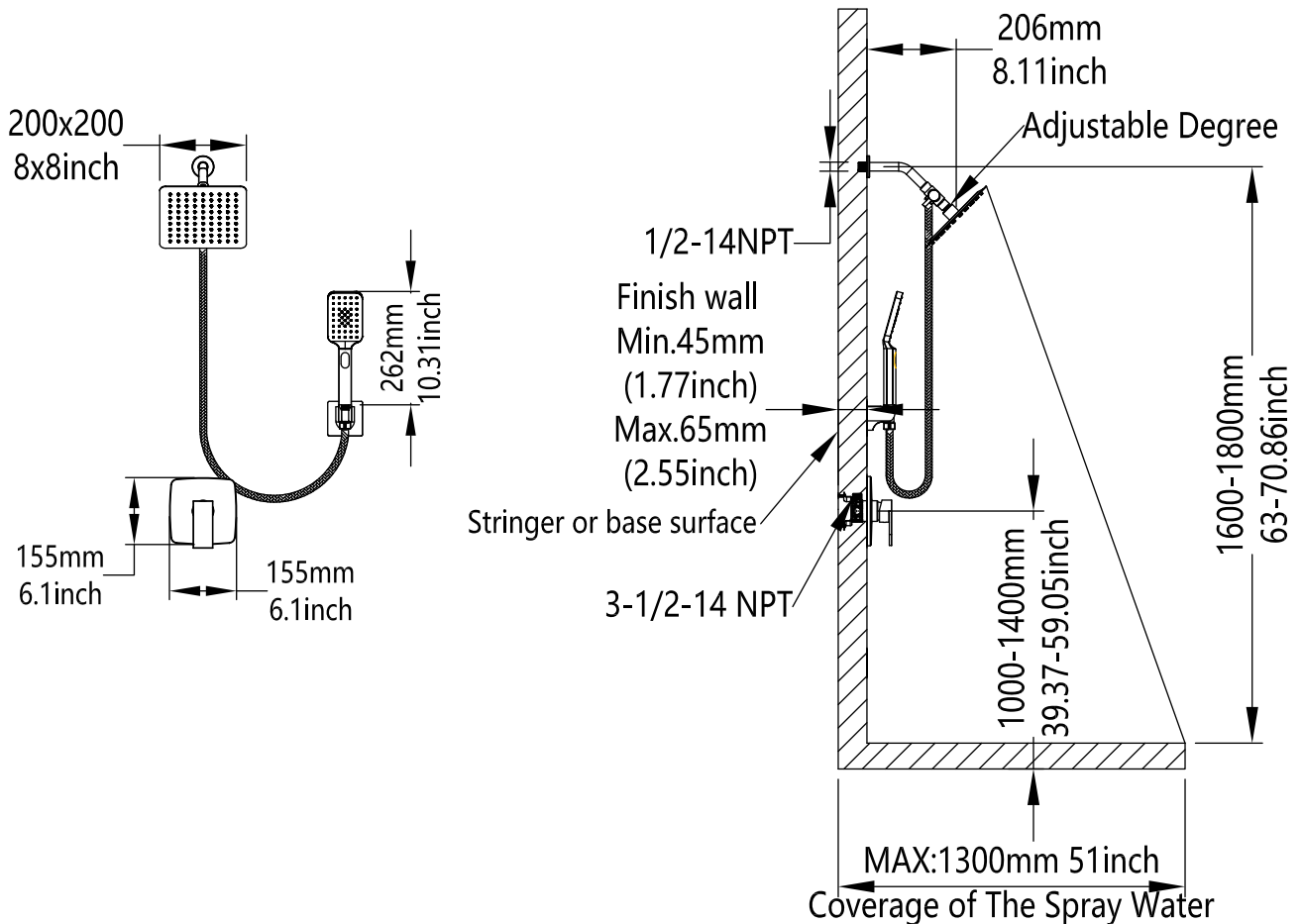
Model: 94202-8

Installation Instruction 1/3



No	Description	QTY
1	Handle Shower	1
2	Shower Holder	1
3	Decorative Cover	1
4	Shower Arm	1
5	Water Distributor	1
6	Shower Head	1
7	Rough-in Valve	1
8	Panel	1
9	On/off Handle	1
10	Hexagonal Screw	1
11	Decorative Hat	1
12	Hose	1

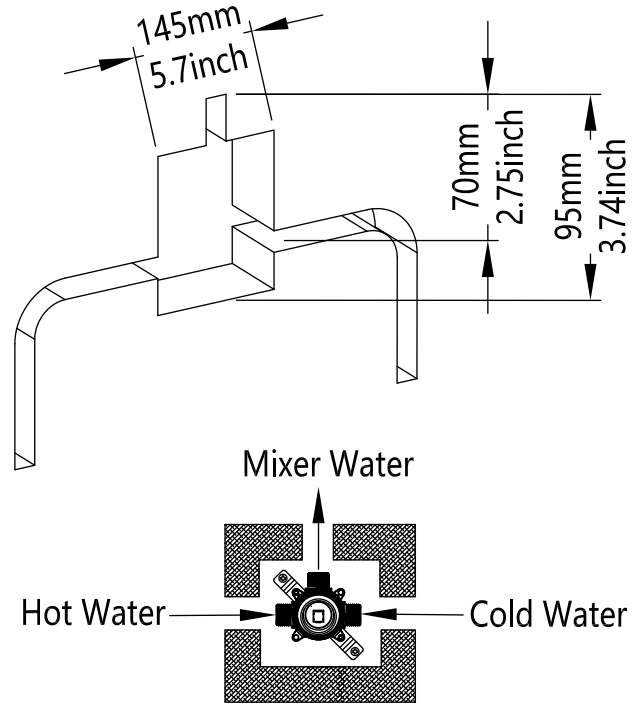
Installation Instruction



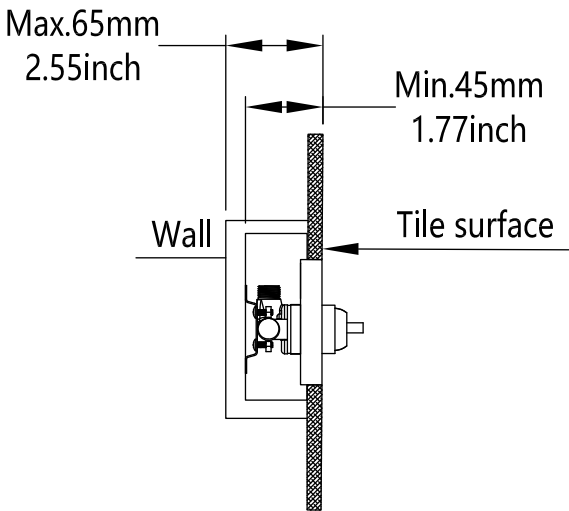
Model: 94202-8

Installation Instruction 2/3

1.The size of the embedded box that needs to be drilled is 5.7" *3.74"

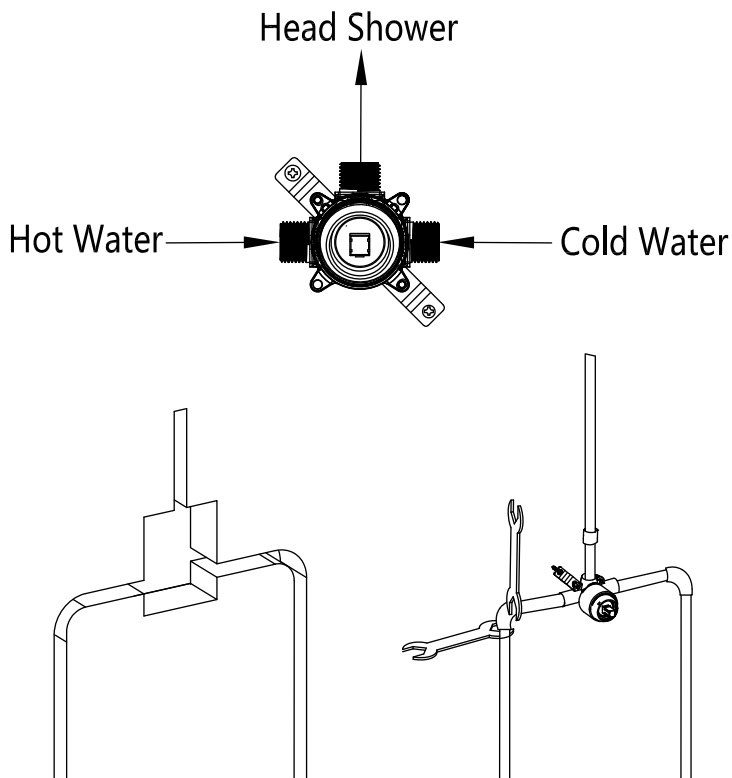


2.The depth of the embedded box is 1.77" - 2.55"
It's better to drill the depth of 1.77"for blank wall



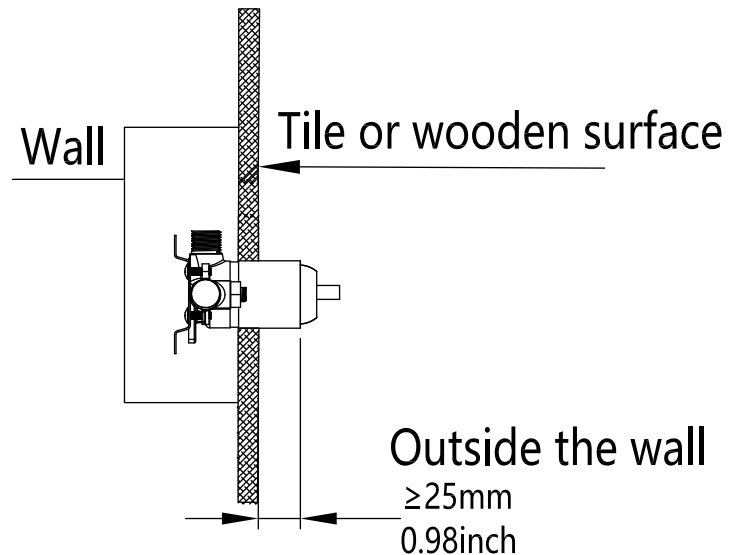
Pipe Connection

- 1.Please drill the holes on the wall for the main body embedded part, hot and cold water inlet pipes as well as shower arm connection pipes according to the basic product dimension drawing as below.
- 2.Please make hot and cold water inlet pipe, the mixed water outlet pipe connect with control valve, and tightened with the wrench.



The Procedure of Sealing The Wall

Use a parallel ruler to measure the flatness of the embedded box casing and the vertical wall surface. If the wall surface is not flat, it should be patched to ensure the embedded box casing and vertical wall angle meets at nearly ideal angle of 90, then lay the tile decoration.

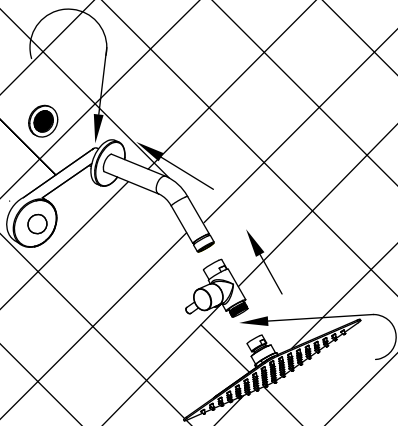


Model: 94202-8

Installation Instruction 3/3

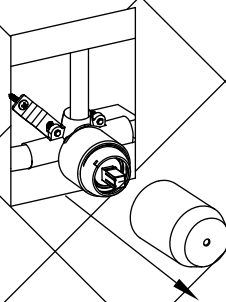
Head Shower Installation

1. Wrap the tape around the pipe thread and screw it on the wall hole
2. Screw the head shower and diverter to the water outlet pipe thread

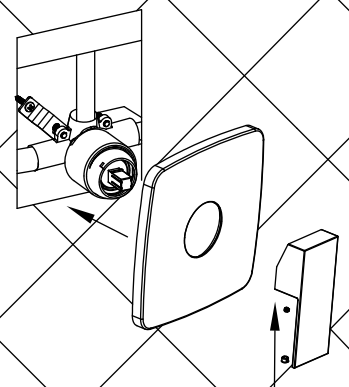


Installation of Rough-in Valve

1. Take off the protective cover



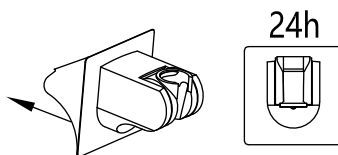
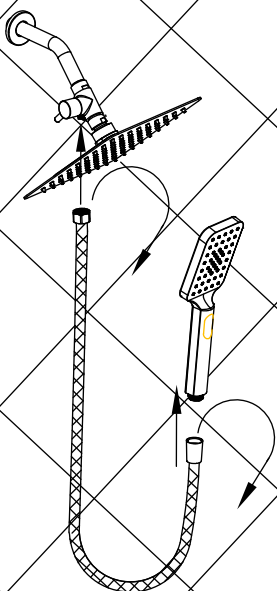
2. The panel and the handle are connected to the control valve as shown below sequence



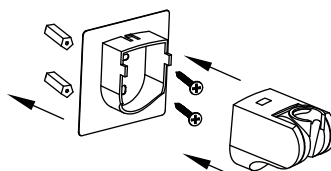
Handle Shower Installation

1. Wipe the wall clean, tear off the non-adhesive film of the shower seat, press and stick it on the wall, and use it after 24 hours.

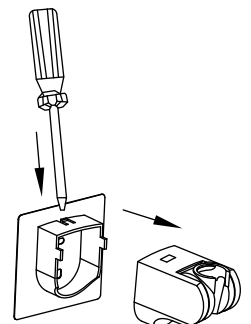
or



2. Put an expansion sleeve on the hole wall, tighten the screws, and combine the two accessories of the shower seat.

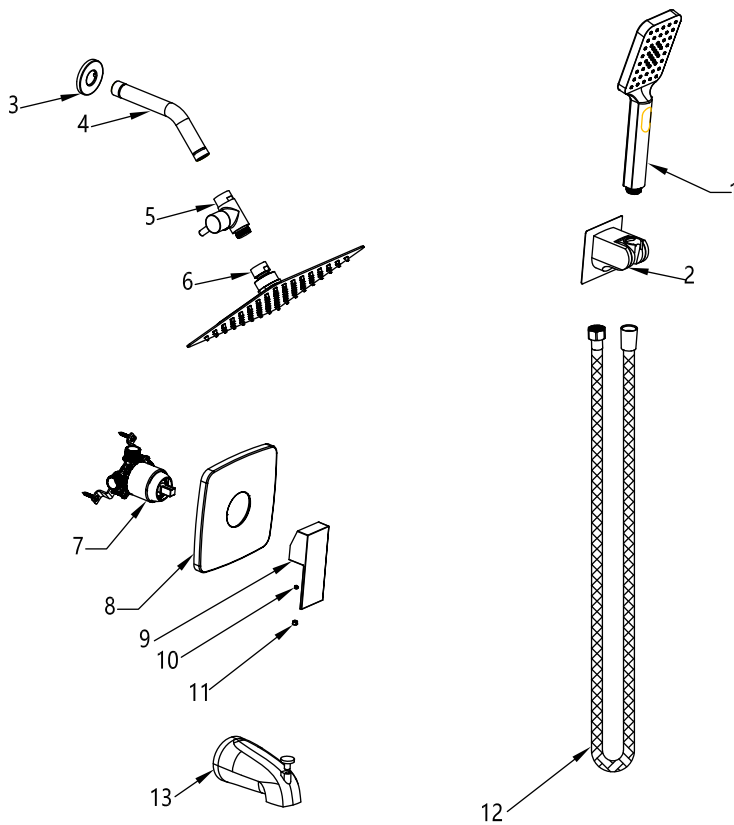


1. Use a flat-blade screwdriver to insert into the separation hole, press to separate the two accessories.



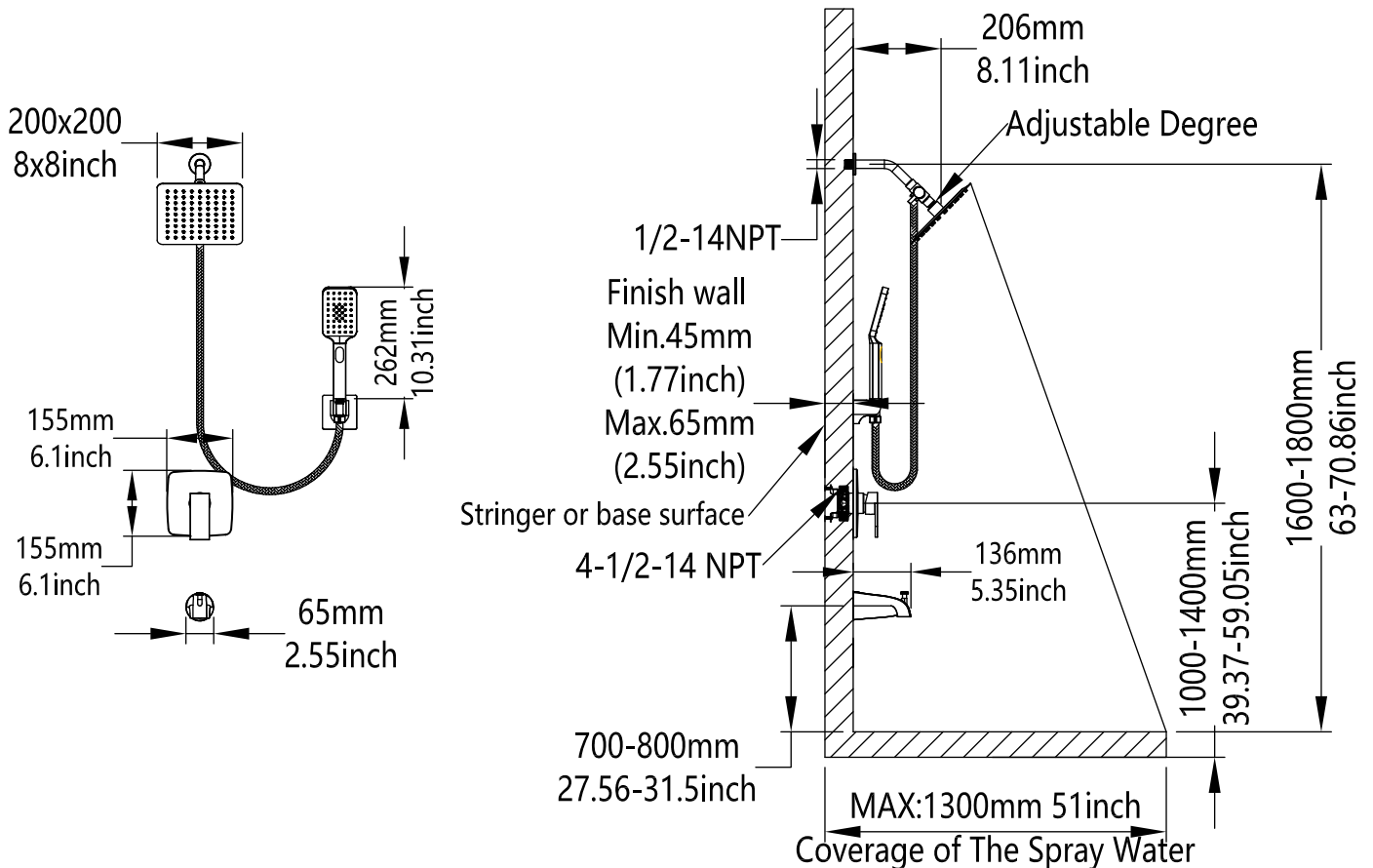
Model: 94203-8

Installation Instruction 1/3



No	Description	QTY
1	Handle Shower	1
2	Shower Holder	1
3	Decorative Cover	1
4	Shower Arm	1
5	Water Distributor	1
6	Shower Head	1
7	Rough-in Valve	1
8	Panel	1
9	On/off Handle	1
10	Hexagonal Screw	1
11	Decorative Hat	1
12	Hose	1
13	Bathtub spout	1

Installation Instruction



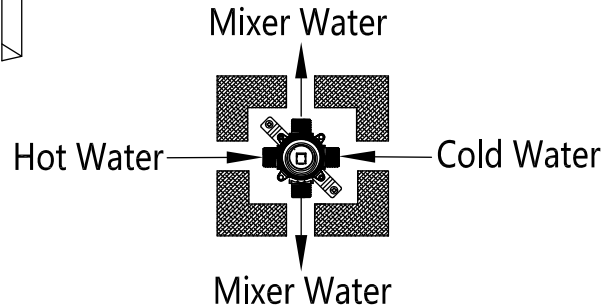
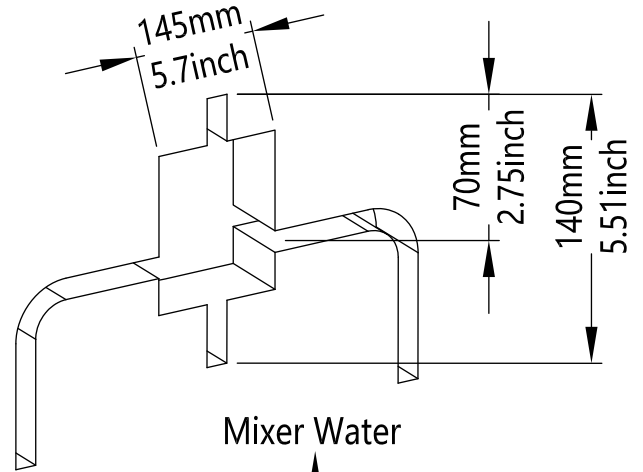
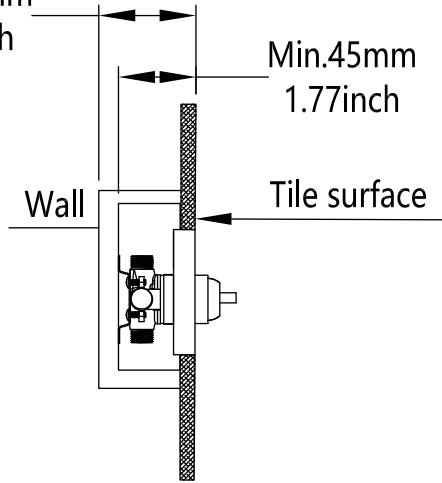
Model: 94203-8

Installation Instruction 2/3

1.The size of the embedded box that needs to be drilled is 5.7" *5.51"

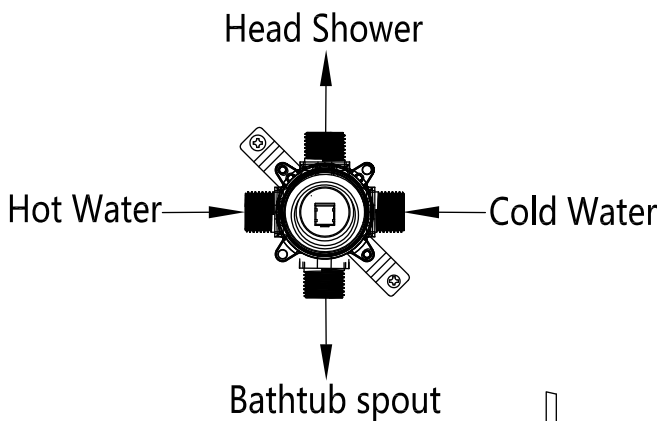
2.The depth of the embedded box is 1.77" - 2.55"
It's better to drill the depth of 1.77"for blank wall

Max.65mm
2.55inch



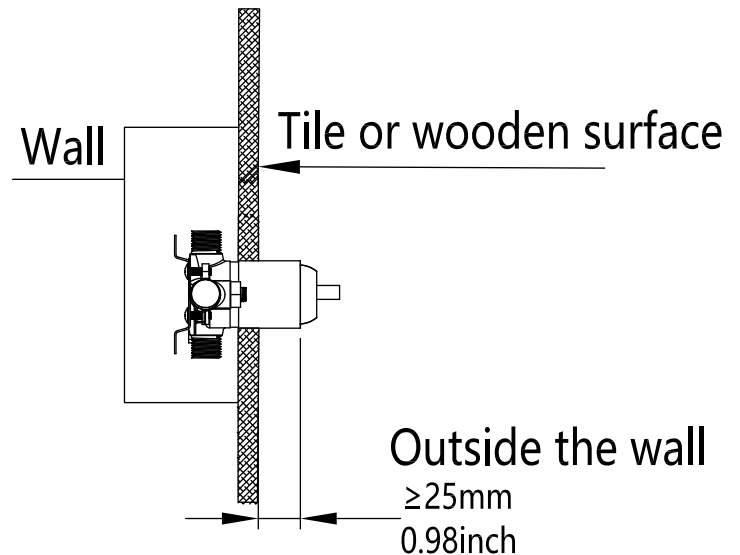
Pipe Connection

- 1.Please drill the holes on the wall for the main body embedded part, hot and cold water inlet pipes as well as shower arm connection pipes according to the basic product dimension drawing as below.
- 2.Please make hot and cold water inlet pipe, the mixed water outlet pipe connect with control valve, and tightened with the wrench.



The Procedure of Sealing The Wall

Use a parallel ruler to measure the flatness of the embedded box casing and the vertical wall surface. If the wall surface is not flat, it should be patched to ensure the embedded box casing and vertical wall angle meets at nearly ideal angle of 90, then lay the tile decoration.

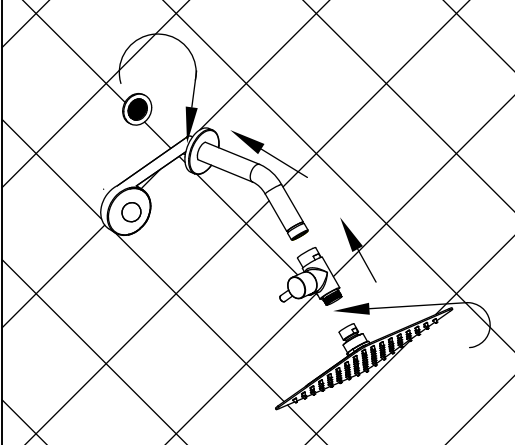


Model: 94203-8

Installation Instruction 3/3

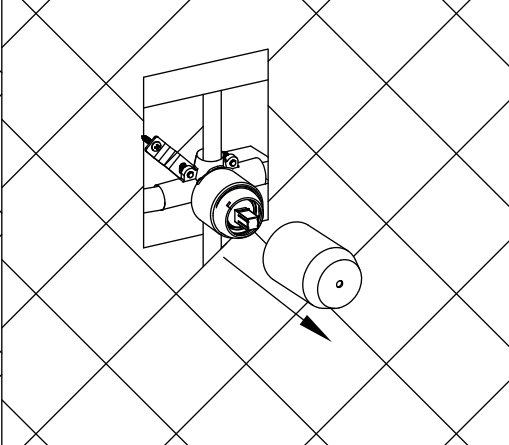
Head Shower Installation

- 1.Wrap the tape around the pipe thread and screw it on the wall hole
- 2.Screw the head shower and diverter to the water outlet pipe thread

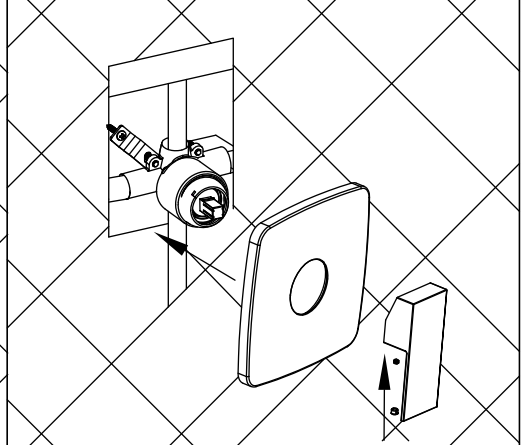


Installation of Rough-in Valve

- 1.Take off the protective cover

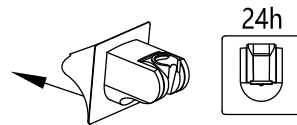
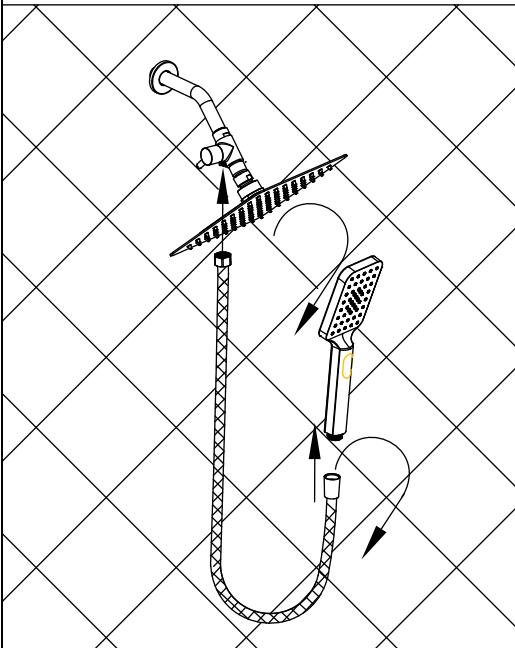


- 2.The panel and the handle are connected to the control valve as shown below sequence

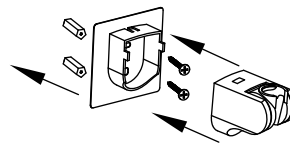


Handle Shower Installation

- 1.Wipe the wall clean, tear off the non-adhesive film of the shower seat, press and stick it on the wall, and use it after 24 hours.

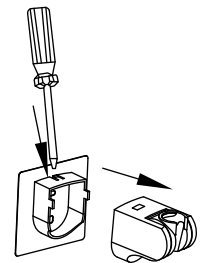


- 2.Put an expansion sleeve on the hole wall, tighten the screws, and combine the two accessories of the shower seat.



or

- 1.Use a flat-blade screwdriver to insert into the separation hole, press and separate the two accessories.



- 1.Remove the screw at the bottom and insert plastic connector into copper pipe,
- 2.Insert the water outlet into the plastic joint and tighten the screw.

Pull the handle up and down to switch the water outlet.

