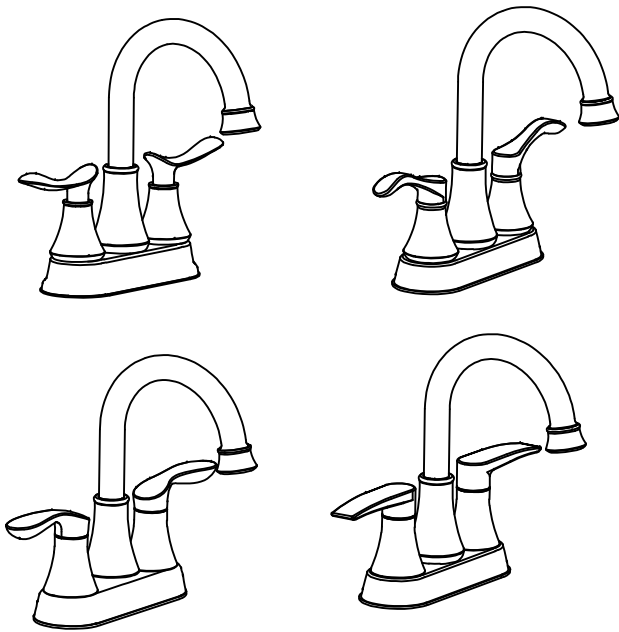


Two Handle Centerset Lavatory Faucet

Applicable faucets (including but not limited)

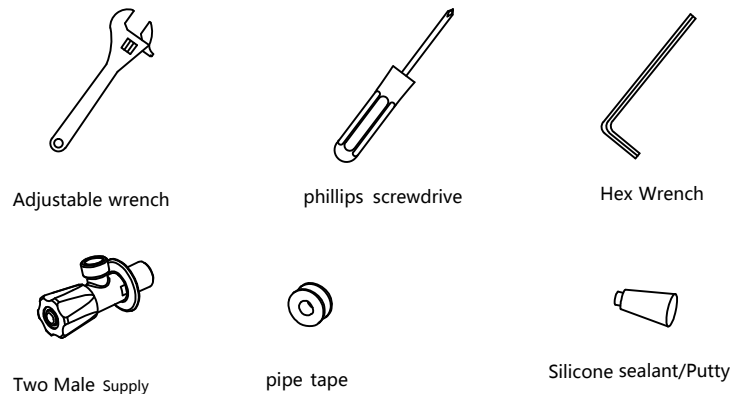


INSTALLATION

prior to installation: Shut off water supply .Remove old faucet .
Clean sink/countertop surface in preparation for new faucet

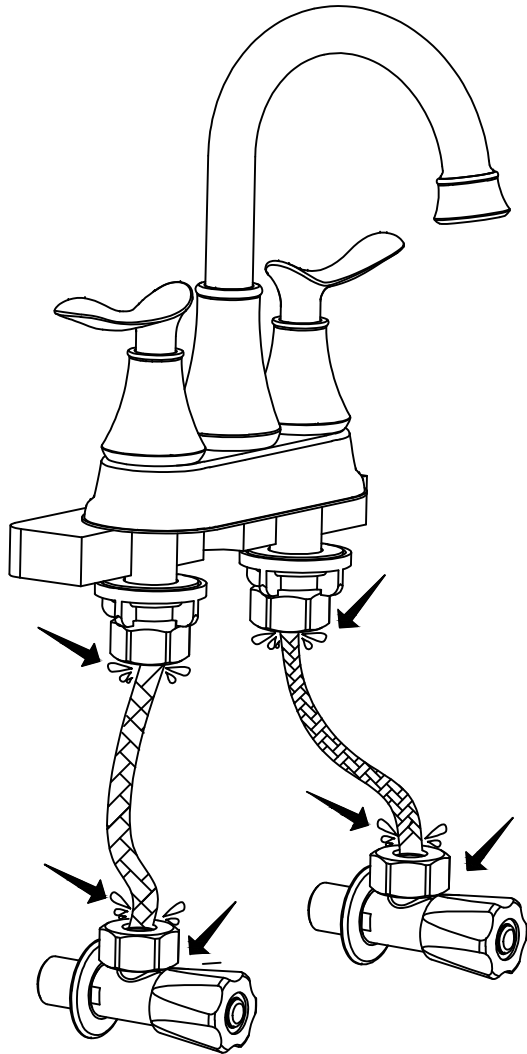
<p>1</p> <p>Apply some plumbers putty or other suitable sealant to the bottom edge of undercover.</p>	<p>2</p> <p>Align and press into place</p>	<p>3</p> <p>Insert the faucet through sink</p>	<p>4</p> <p>Screw the nut onto shrank, leaving approximately 0.12"(3mm) between the ring and the sink.</p>
<p>5</p> <p>Tighten fitting nuts with adjustable wrench. Do not over tighten!</p>	<p>6</p> <p>Remove excessive putty, adjust slightly the position of faucet</p>	<p>7</p> <p>Connect and tighten the supply hoses.</p>	

TOOLS YOU WILL NEED



Two Handle Centerset Lavatory Faucet

8



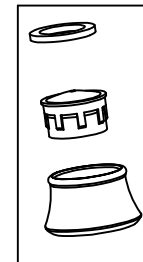
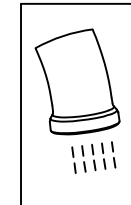
Check for leaks

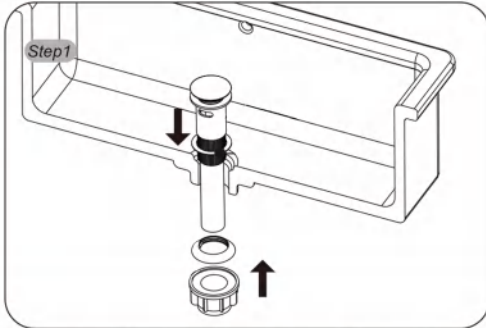
9

Care and Cleaning

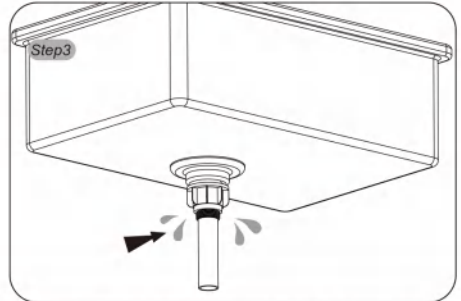
For best results, keep the following in mind when caring for your VAPSINT product:

- .Use a mild detergent such as liquid dishwashing soap and warm water for cleaning. Do not use abrasive cleaners that may scratch or dull the surface.
- .Carefully read the cleaner product label to ensure the cleaner is safe for use on the material.
- .Do not allow cleaners to sit or soak on the surface.
- .Always test your cleaning solution on an inconspicuous area before applying to the entire surface.
- .Wipe surfaces clean and rinse completely with water immediately after cleaner application. Rinse and dry any overspray that lands on nearby surfaces.

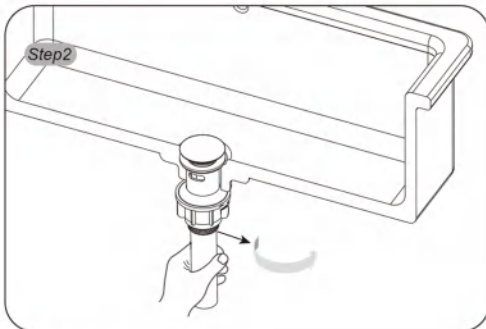




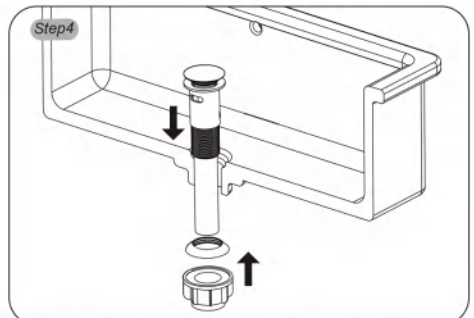
Disassembly part and insert the drain pipe into the hole of basin sink, please ensure the small gasket is above the basin hole, then put and onto the drain pipe;



Check whether leakage happened here under the basin sink; You need apply some silicone to prevent leakage issue if there is leakage under the basin sink, Follow steps 4 to apply the silicone and complete installation;



Tighten the fasten nut by hand;



At this step, small gasket is not needed, please follow the step 2 and step 3 to complete installation.

THANK YOU

We really value your feedback to make our product even better
If you have any problem or suggestion please feel free to contact us.

We look forward to serving to serving you again soon!