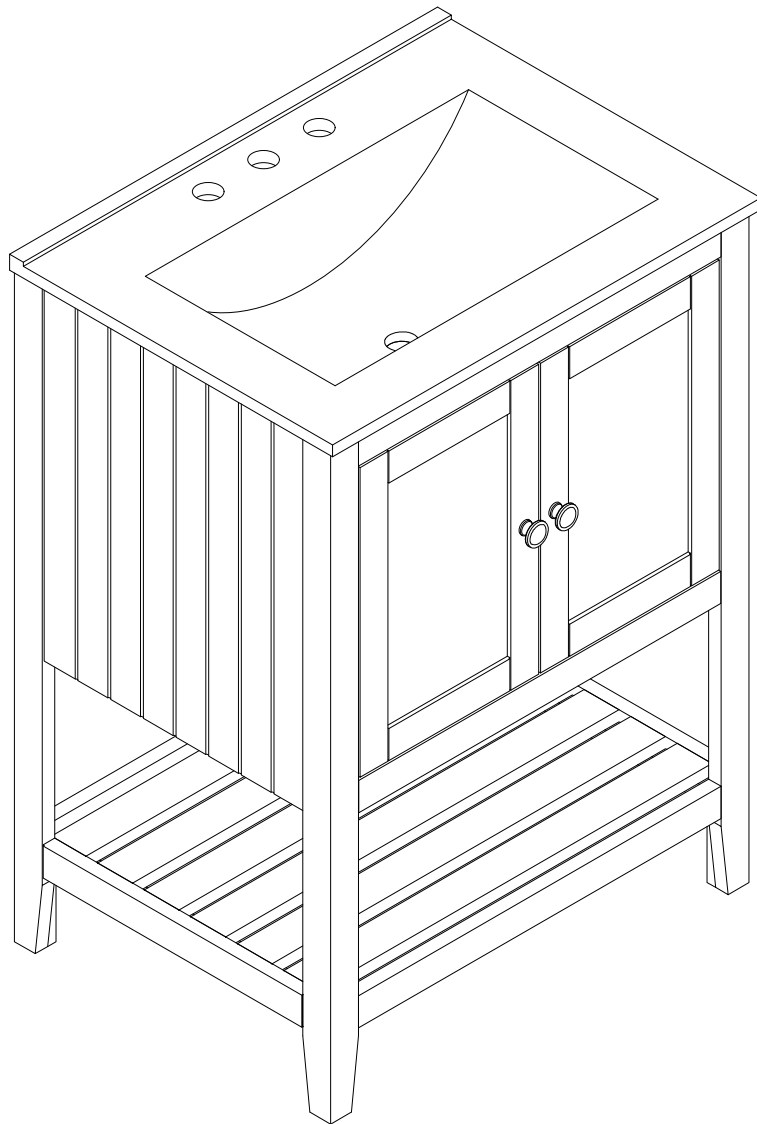
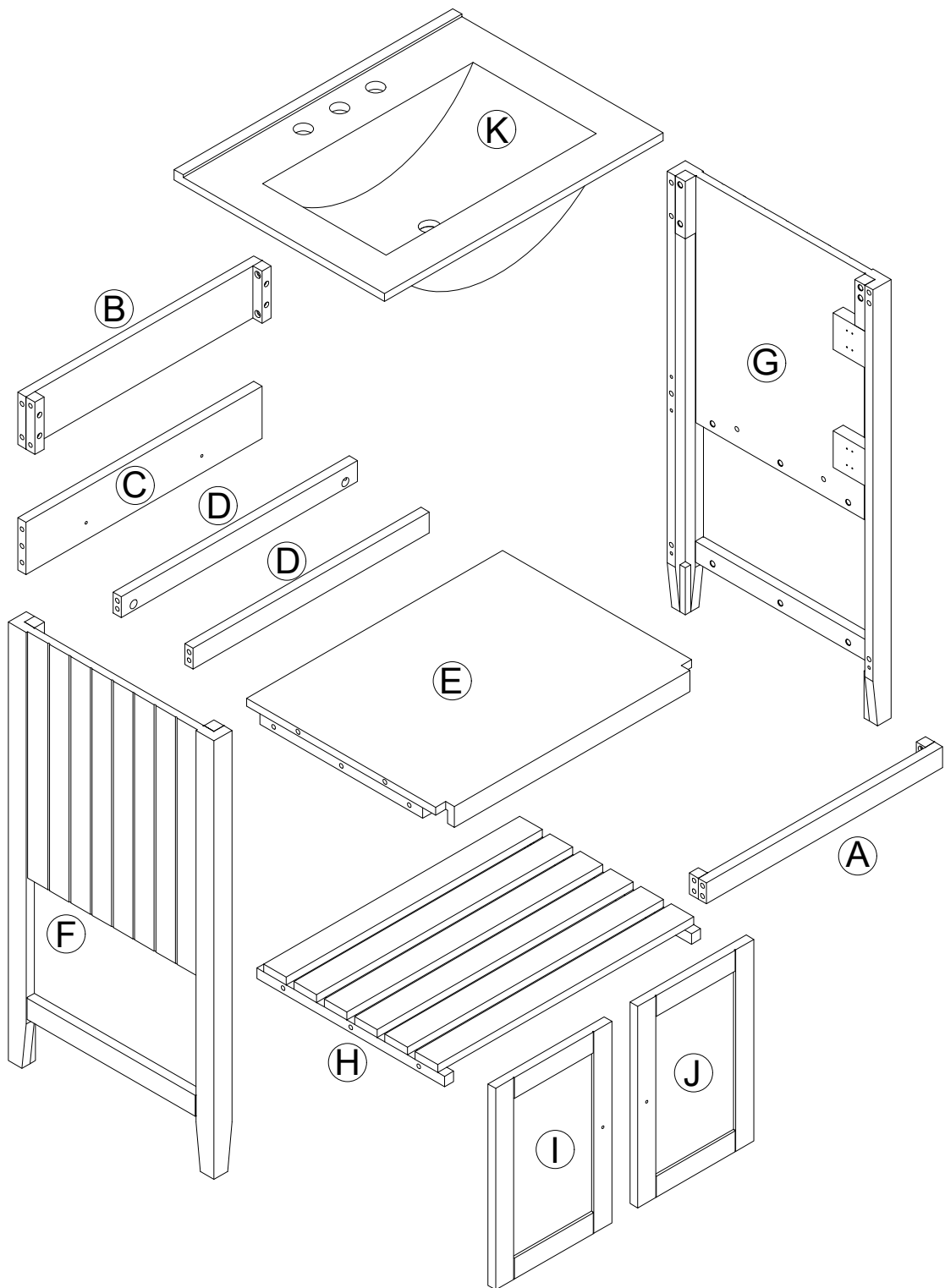
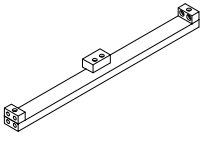
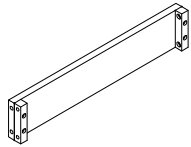
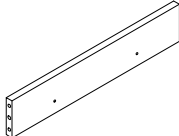
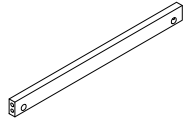
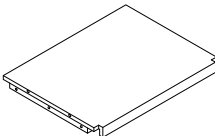
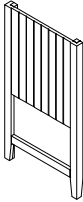
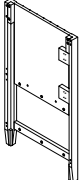
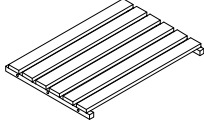
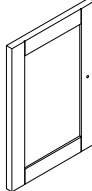
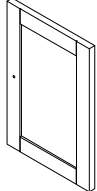
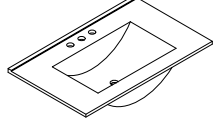


N725P170597B

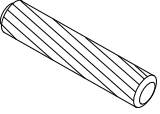
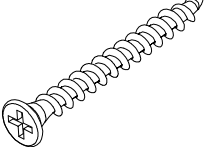

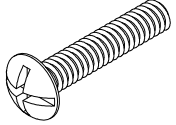
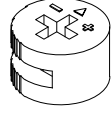

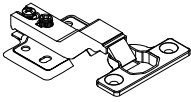

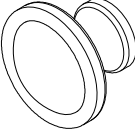




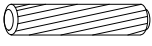
PRODUCT PARTS:

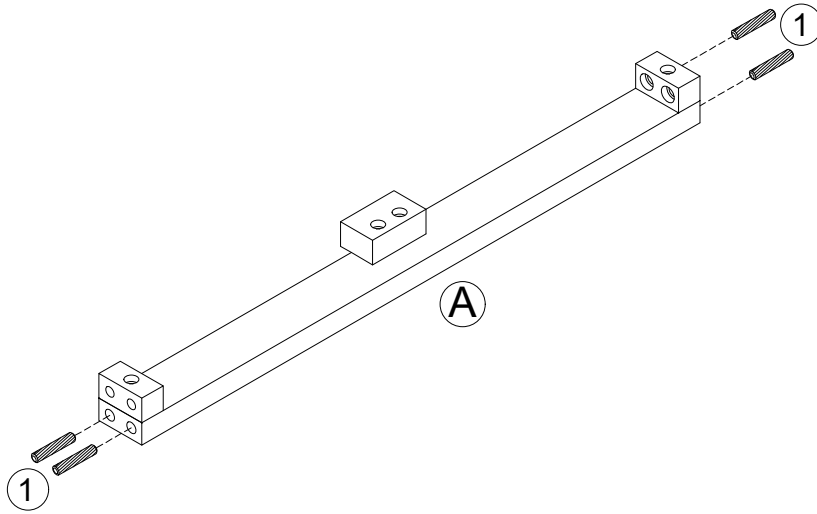
A	B	C	D	E	F
					
1PC	1PC	1PC	2PCS	1PC	1PC
G	H	I	J	K	
					
1PC	1PC	1PC	1PC	1PC	

HARDWARE:


1	2	3	4	5	6
					
Ø8x30mm	Ø4x35mm	Ø6x33mm	1/4"x25mm	Ø15x9mm	Ø4x12mm
18+1 PCS	2PCS	8+1 PCS	20+2 PCS	8+1 PCS	24+2 PCS
7	8	9			
					
4PCS	5/32"x22mm 2PCS	2PCS			

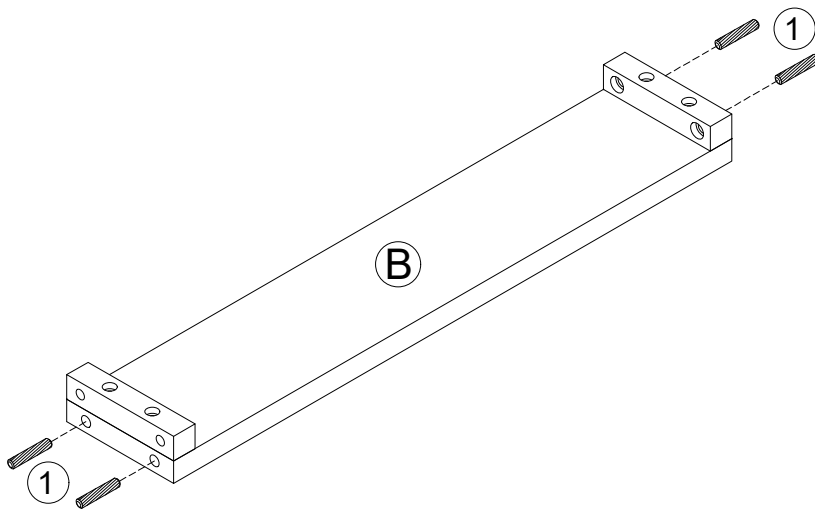
STEP 1

①  4pcs
Ø8x30mm

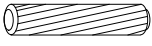


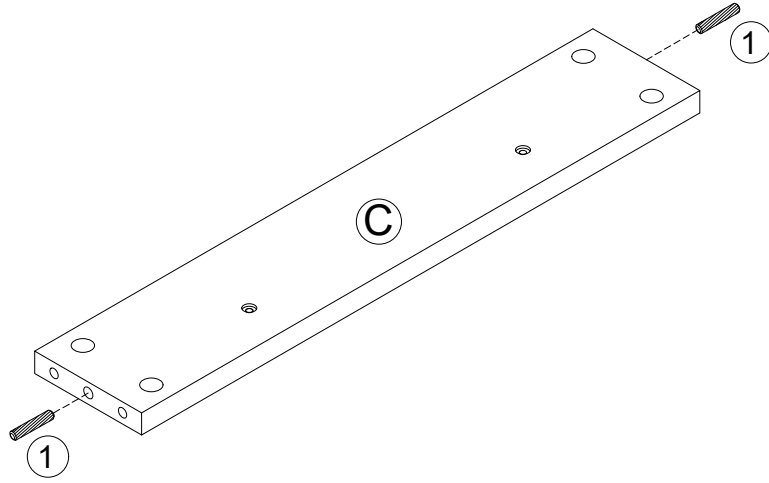
STEP 2

①  4pcs
Ø8x30mm




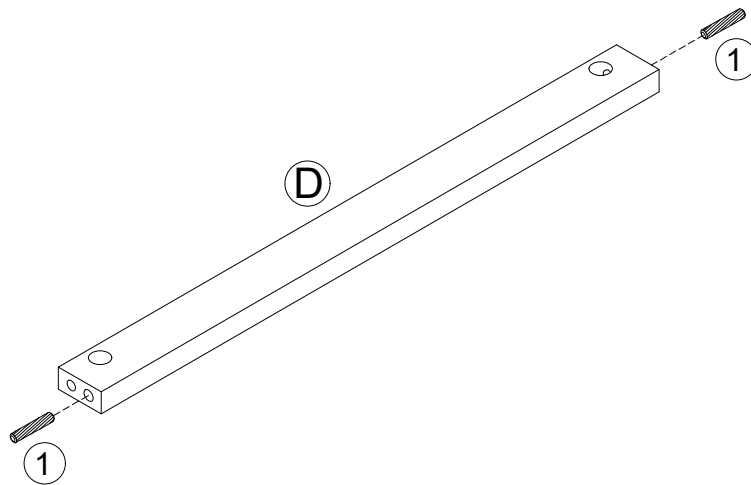
STEP 3

①  2pcs
Ø8x30mm



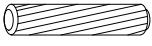
STEP 4

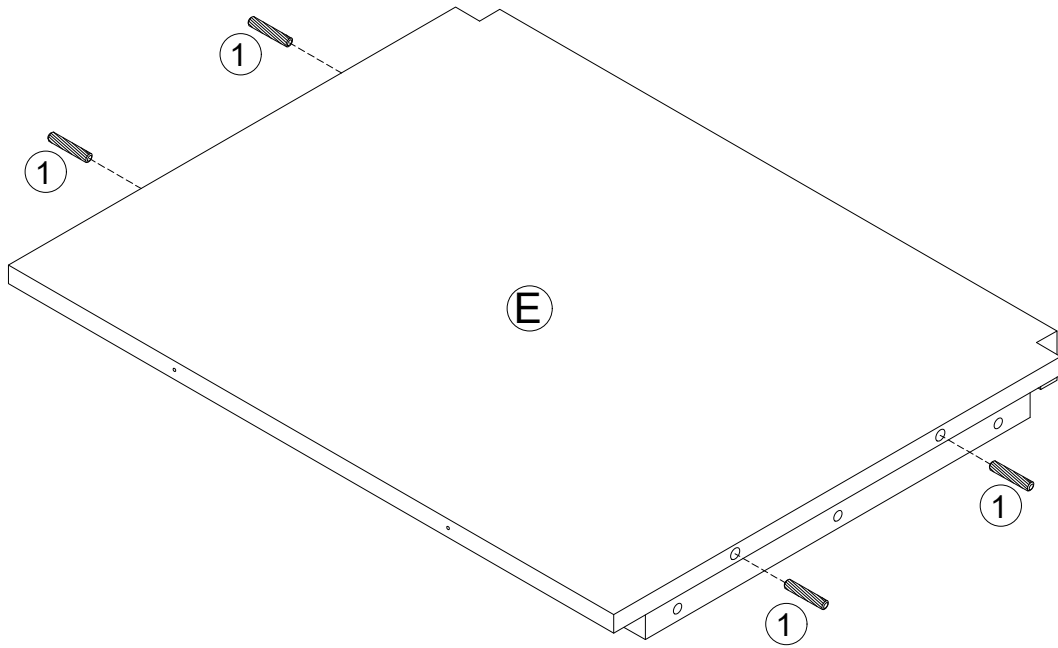
①  4pcs
Ø8x30mm




x 2

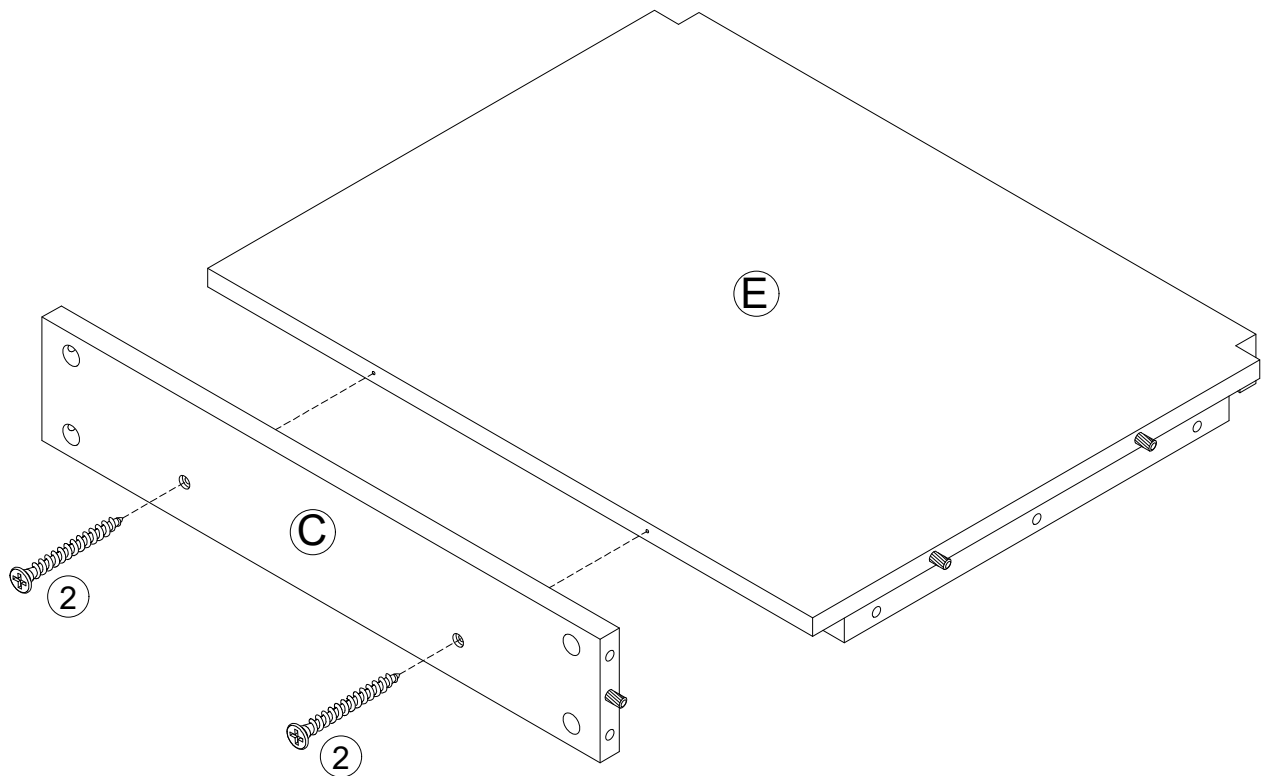
STEP 5

- ①  4pcs
Ø8x30mm




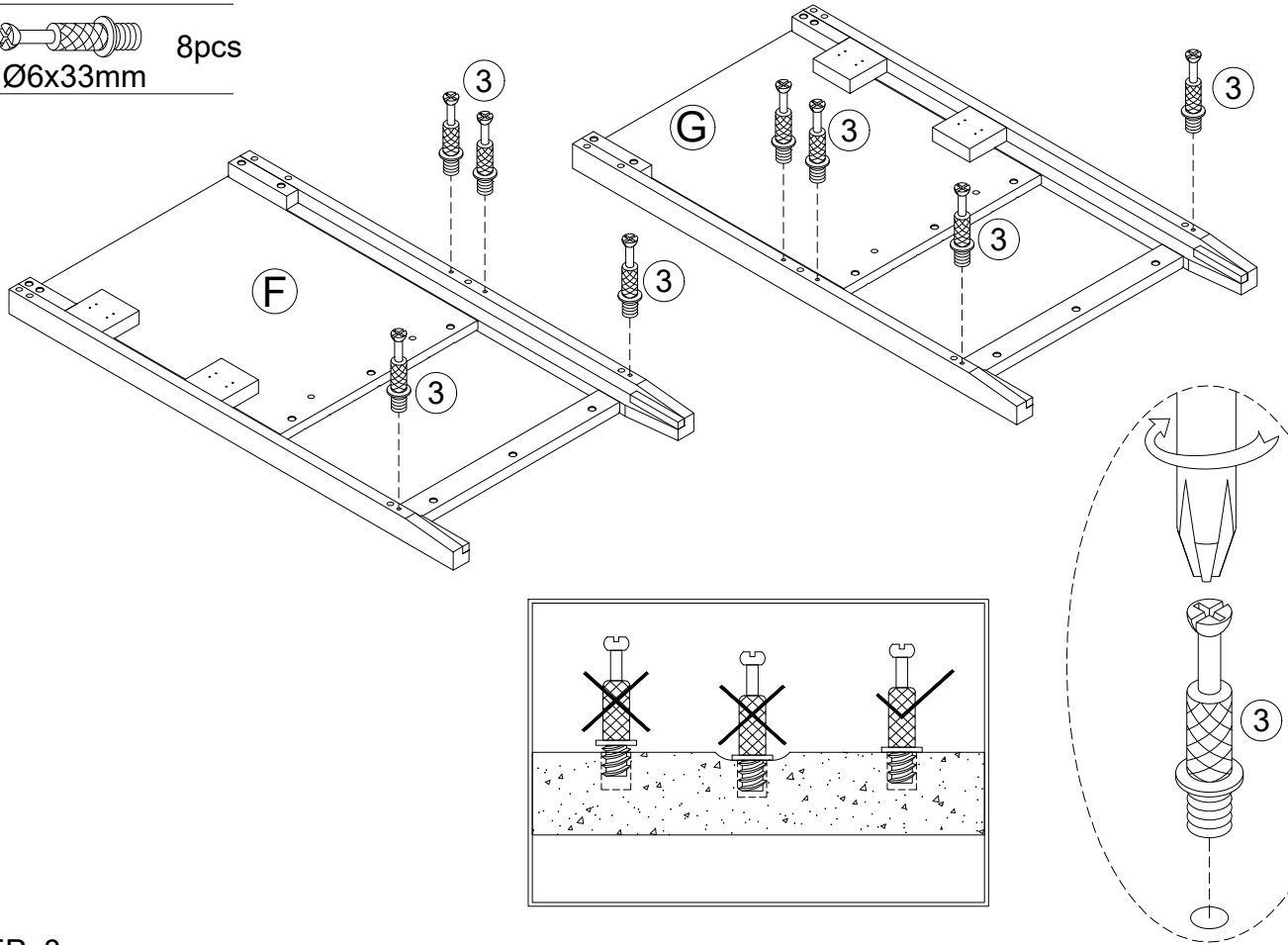
STEP 6

- ②  2pcs
Ø4x35




STEP 7

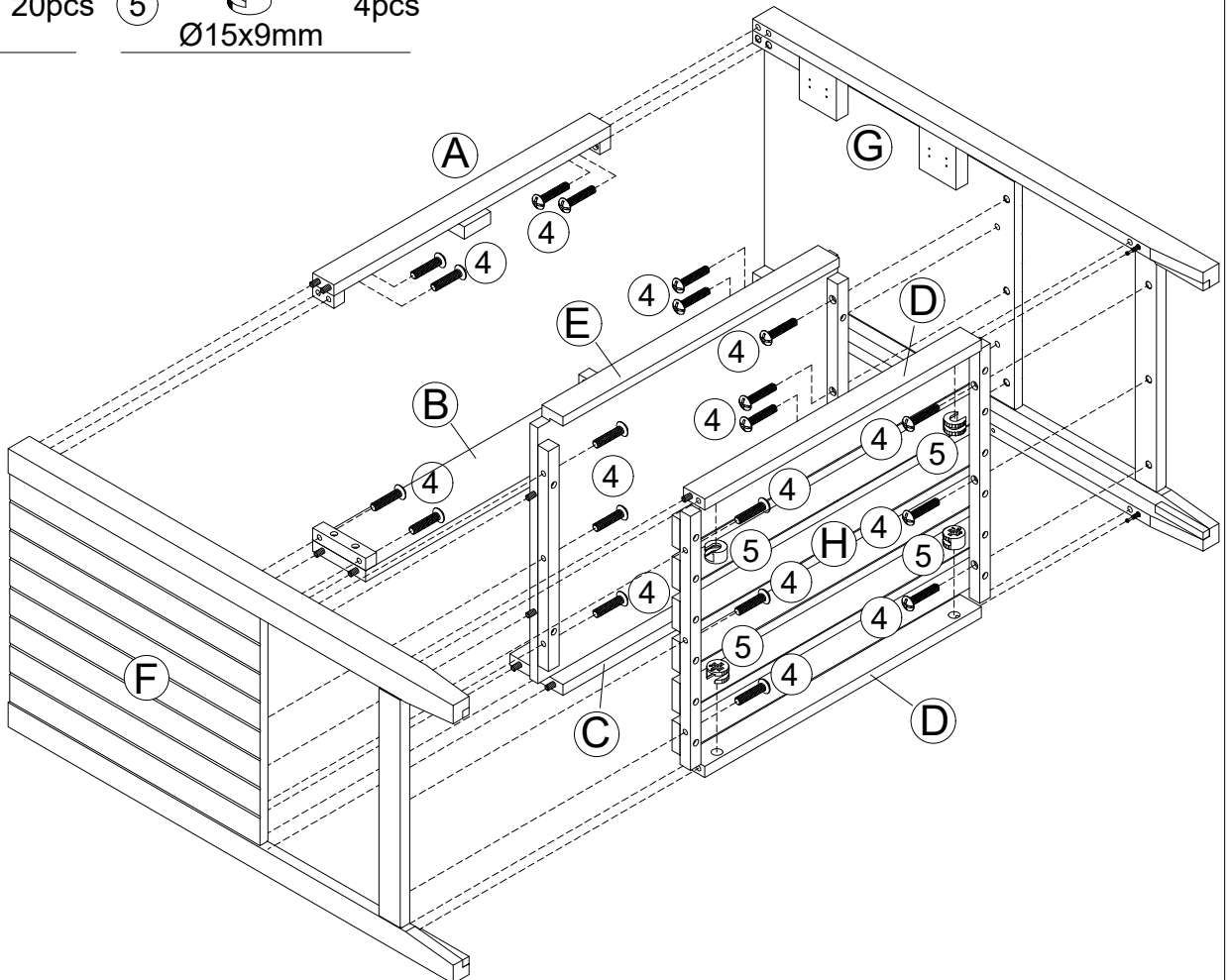
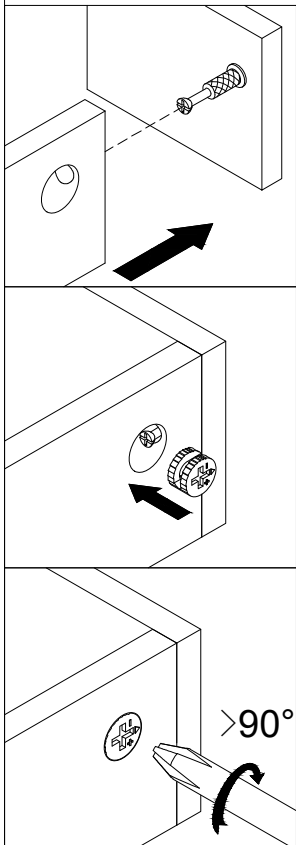
③  8pcs
 Ø6x33mm



STEP 8

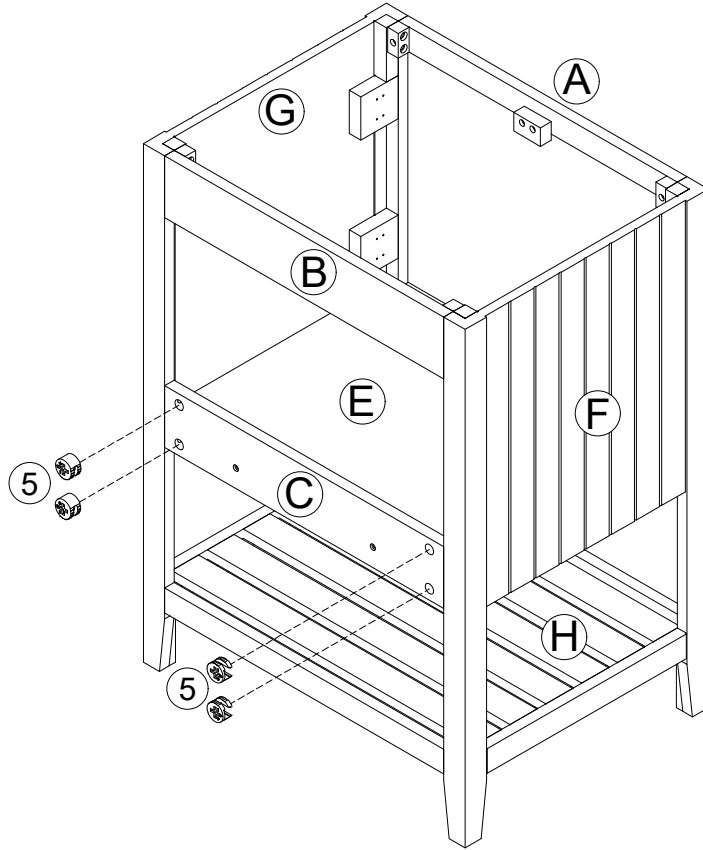
④  20pcs
 1/4"x25mm

⑤  4pcs
 Ø15x9mm





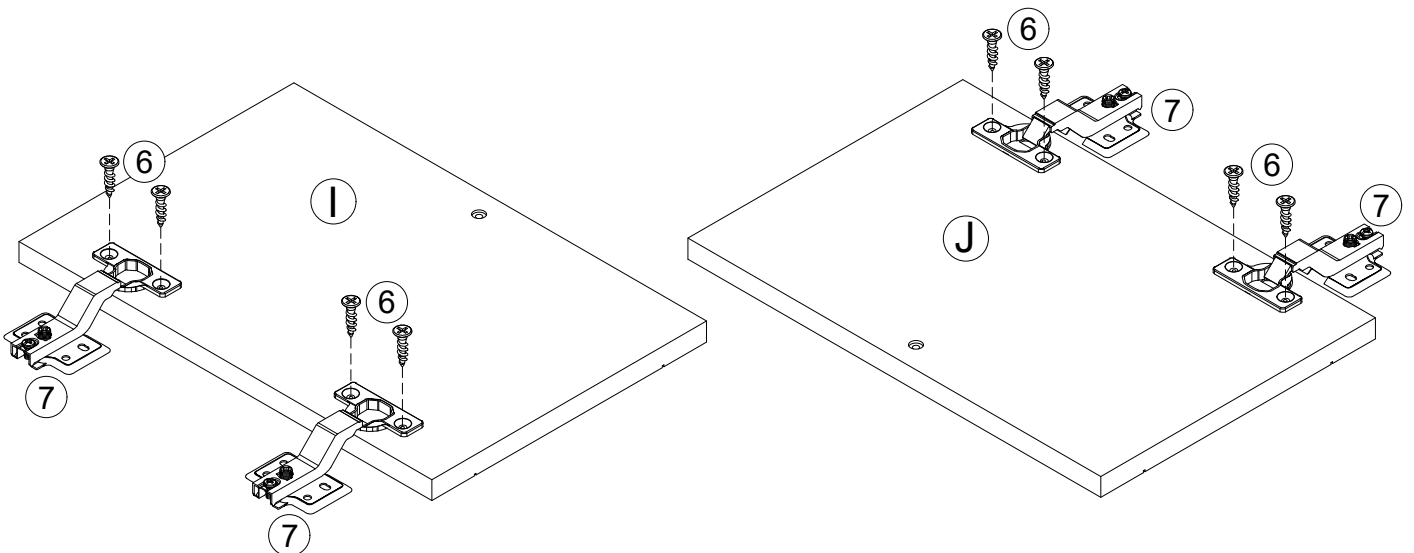
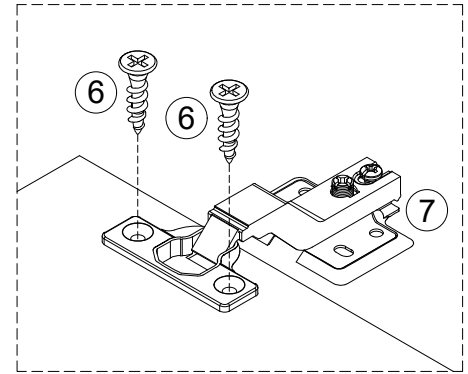
STEP 9

- ⑤  4pcs
Ø15x9mm



STEP 10

- ⑥  8pcs
Ø4x12mm
- ⑦  4pcs

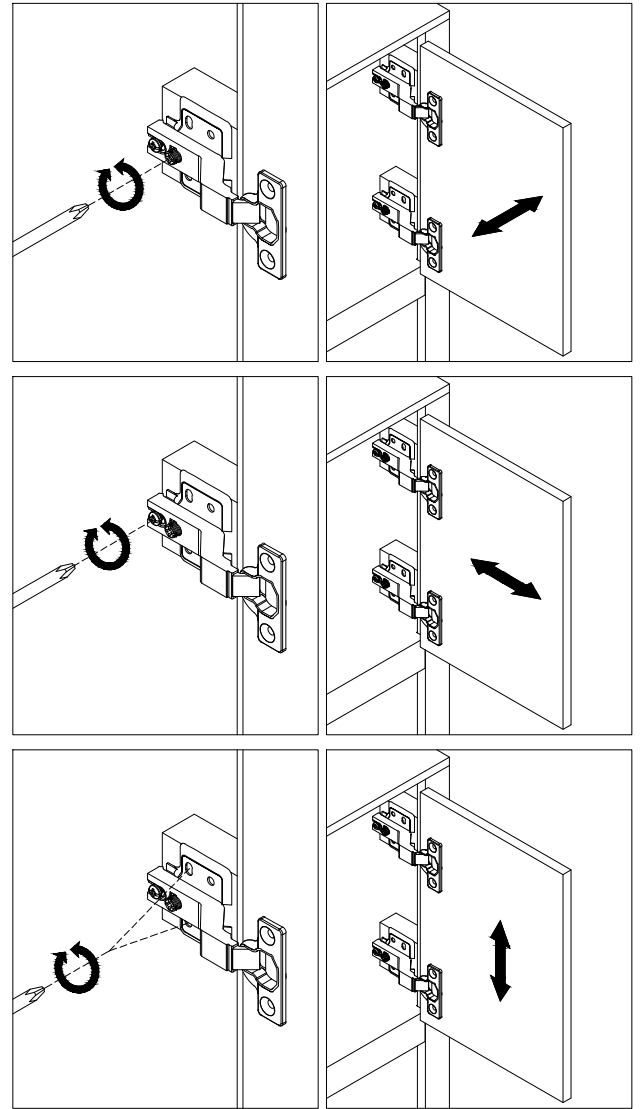
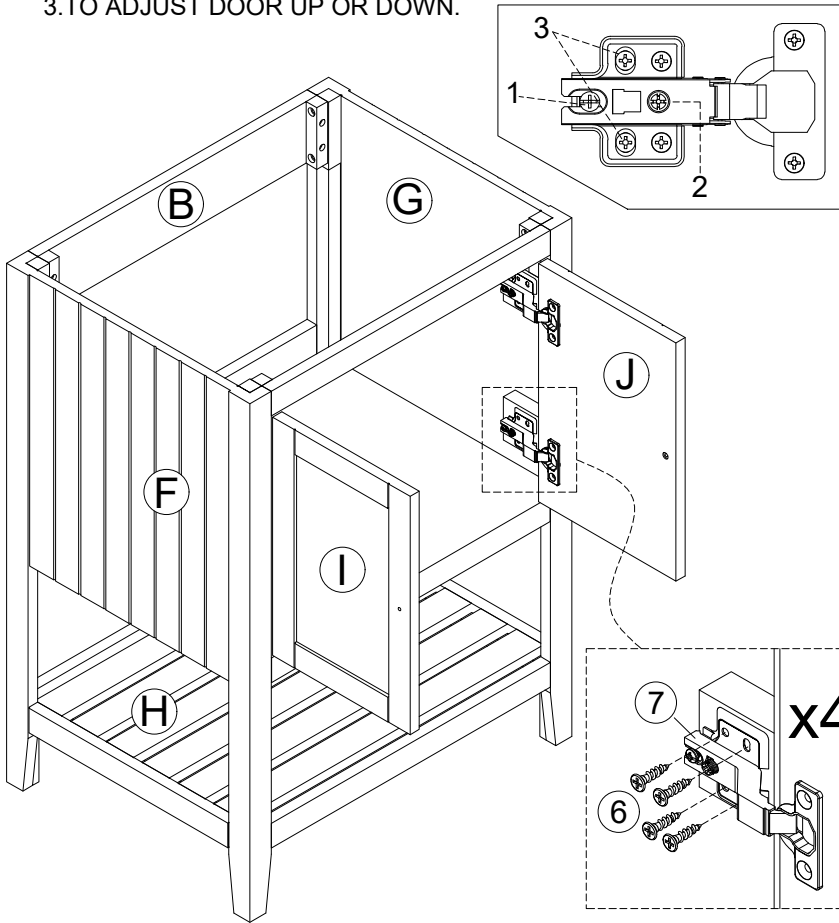


STEP 11


- ③  16pcs
Ø4x12mm

Three-way adjustable hinge for perfectly aligned doors

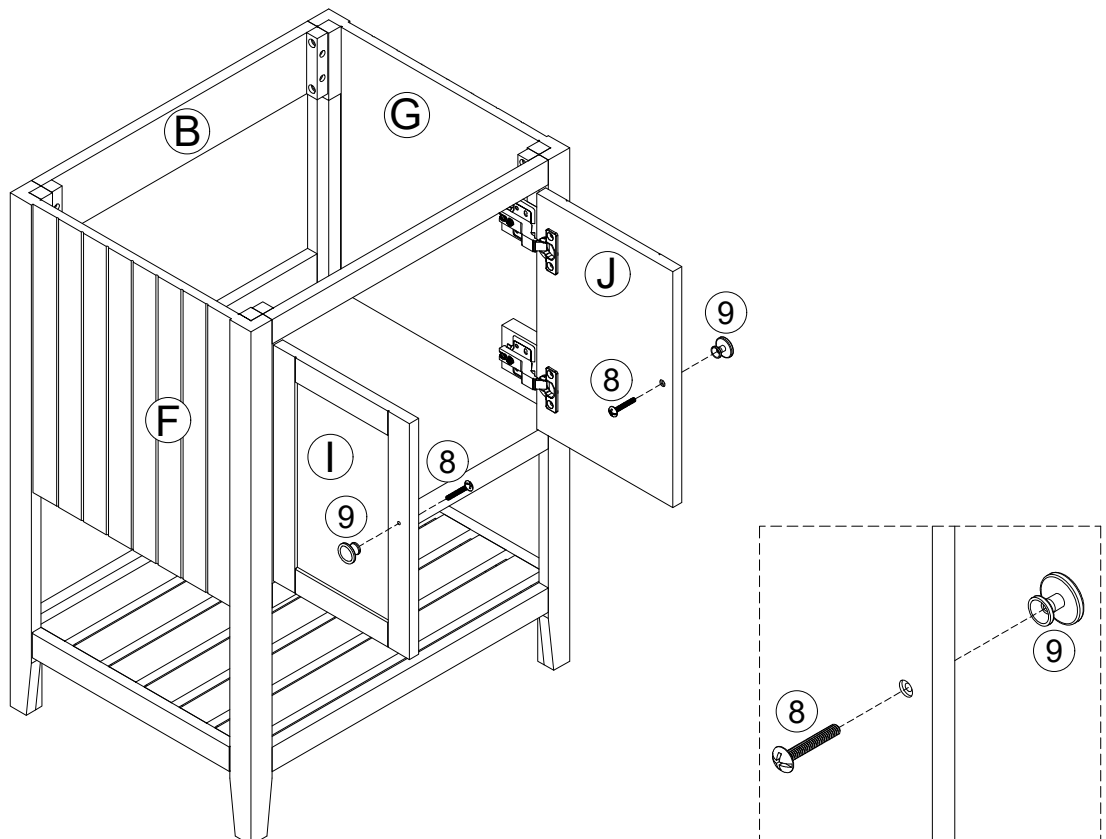
1. TO ADJUST DOOR FORWARD OR BACKWARD.
2. TO ADJUST DOOR TO RIGHT OR TO LEFT.
3. TO ADJUST DOOR UP OR DOWN.



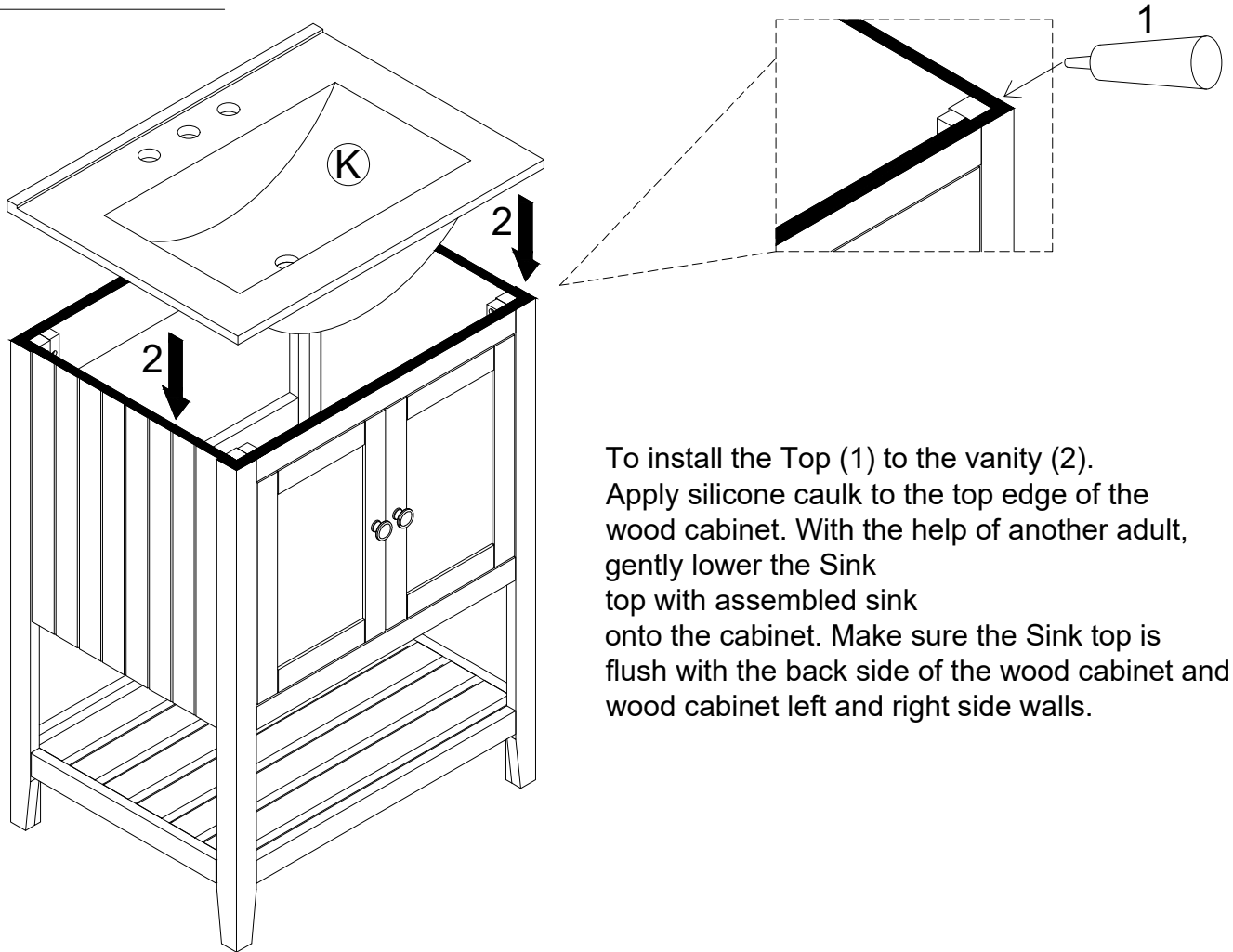
STEP 12

- ⑧  2pcs
5/32"x22mm

- ⑨  2pcs



STEP 13



To install the Top (1) to the vanity (2). Apply silicone caulk to the top edge of the wood cabinet. With the help of another adult, gently lower the Sink top with assembled sink onto the cabinet. Make sure the Sink top is flush with the back side of the wood cabinet and the wood cabinet left and right side walls.

STEP 14

