

ASSEMBLY INSTRUCTIONS

ITEM # : N725P171398

Thank you for purchasing this quality Product. Be sure to check all packing material carefully for small parts, which may have come loose inside carton during shipment. Identify and count all parts and compare with the parts list below.


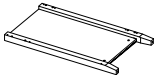
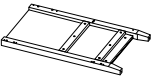
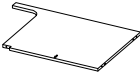
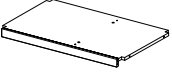

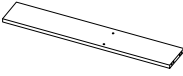


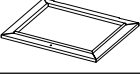
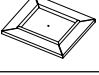
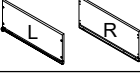
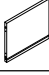




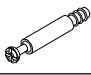






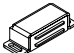
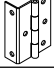

ASSEMBLY INSTRUCTION:

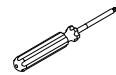
1. Remove hardware from box and sort by size.
2. Please check to see that all hardware and parts are present prior start of assembly.
3. Please follow attached instruction in the same sequence as numbered asure fast and aesy assembly.

WARNING!

1. Dont attempt to repair or modify parts that are prken or defective. Prease contact the store immediately.
2. This productis for home use only and not intended for commercial esablishments.
3. Two persons are required for assembly.
4. Approximate assembly time 1/2 hours.
5. Component parts and fittings contained in the box. Prease sort out all parts before you begin to assemble the item. This is to make sure you always use the correct part.
6. It is **STRONGLY RECOMMENDED** that you **ANCHOR** this product.toling furniture can cause serious injuries and death. To prevent your furniture from tipping forward it is strongly recommended that you securely attach this product to a wall other solid surface, using the anchor straps provided appropriate fixings.

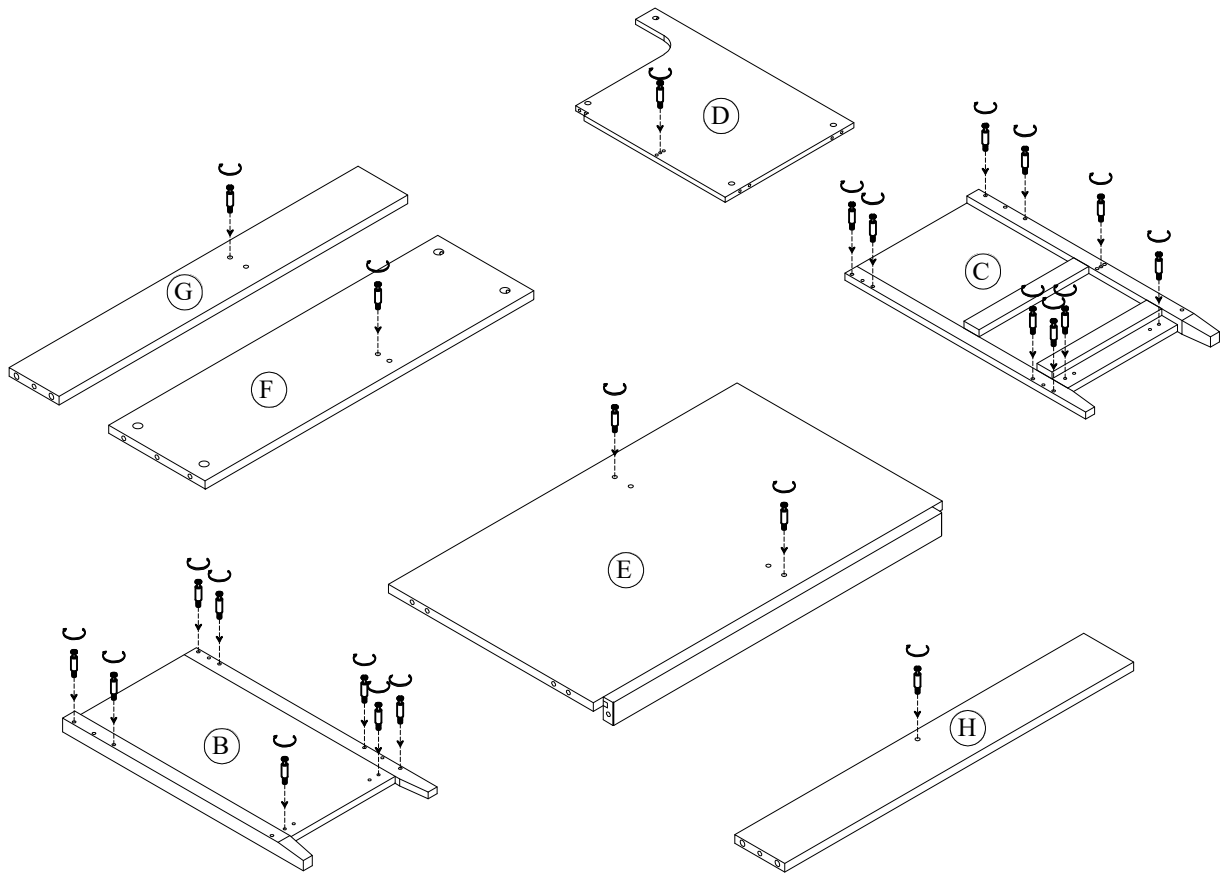
No.	Component	Q'ty
A	 Sink	1
B	 Left Side Panel	1
C	 Right Side Panel	1
D	 Middle Panel	1
E	 Bottom	1
F	 Fake Drawer Face	1
G	 Back Panel	1
H	 Back Panel	1
I	 Front Rail	1
K	 Door	1
L	 Front Drawer Panel	2
M	 Sides Drawer Panel	4
N	 Back Drawer Panel	2
O	 Bottom Drawer Panel	2

No.	Hardware	Q'ty
1	 Cam Lock	23
2	 Cam Lock Screws	23
3	 Wooden	19
4	 Knob	5
5	 Screws M4x15	3
6	 Screws M4x25	2
7	 Screws M3.5x12	2
8	 Screws M4x25	16
9	 Door Magnet	1
10	 Hinges	2
11	 Screws M3x12	12



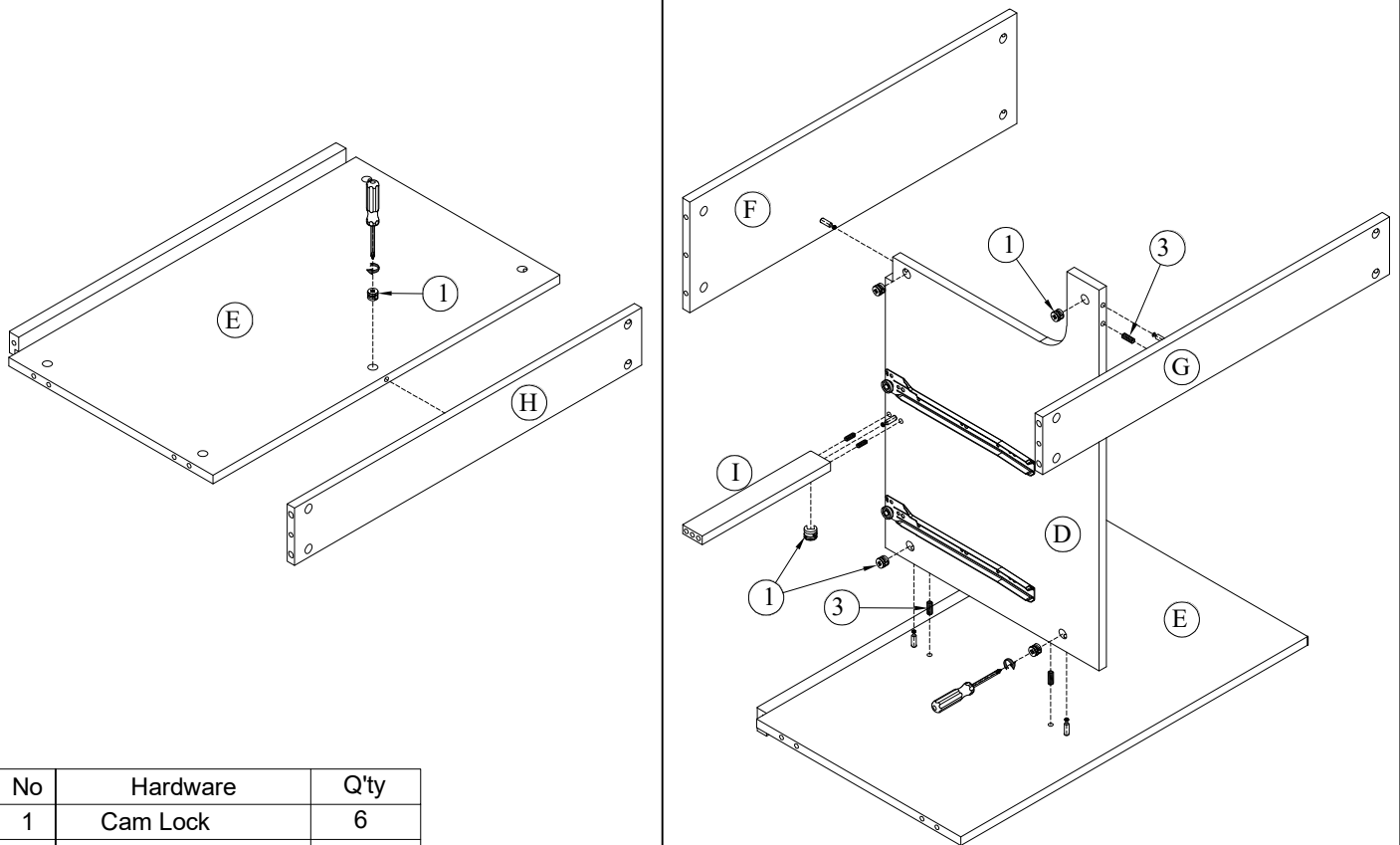
Not Included

Step 1



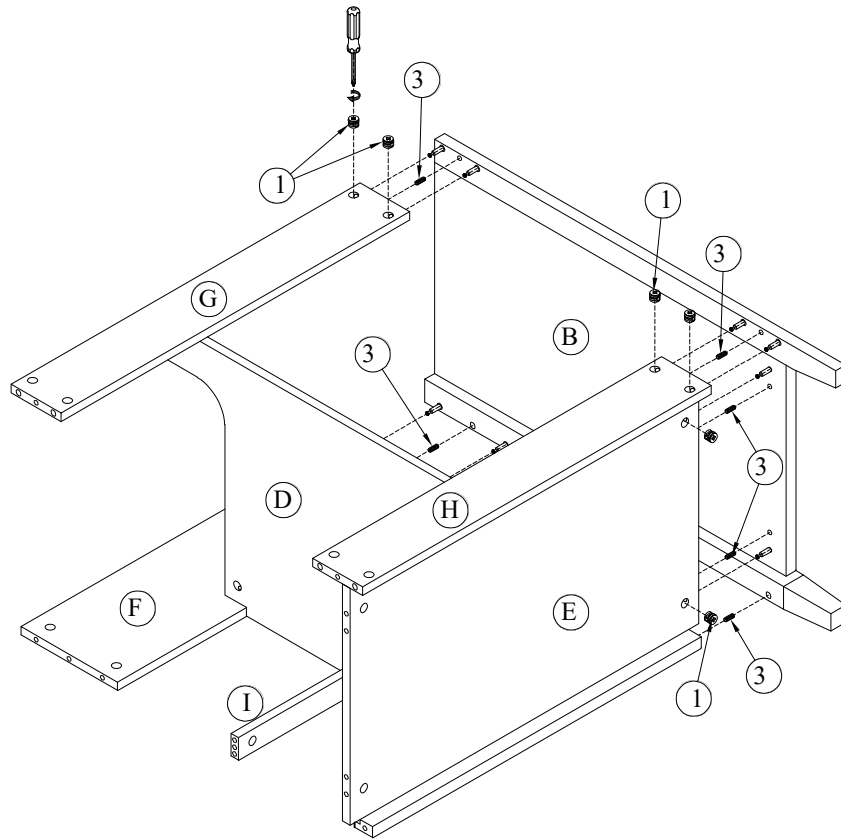
No	Hardware	Q'ty
2	Cam Lock Screws	23

Step 2



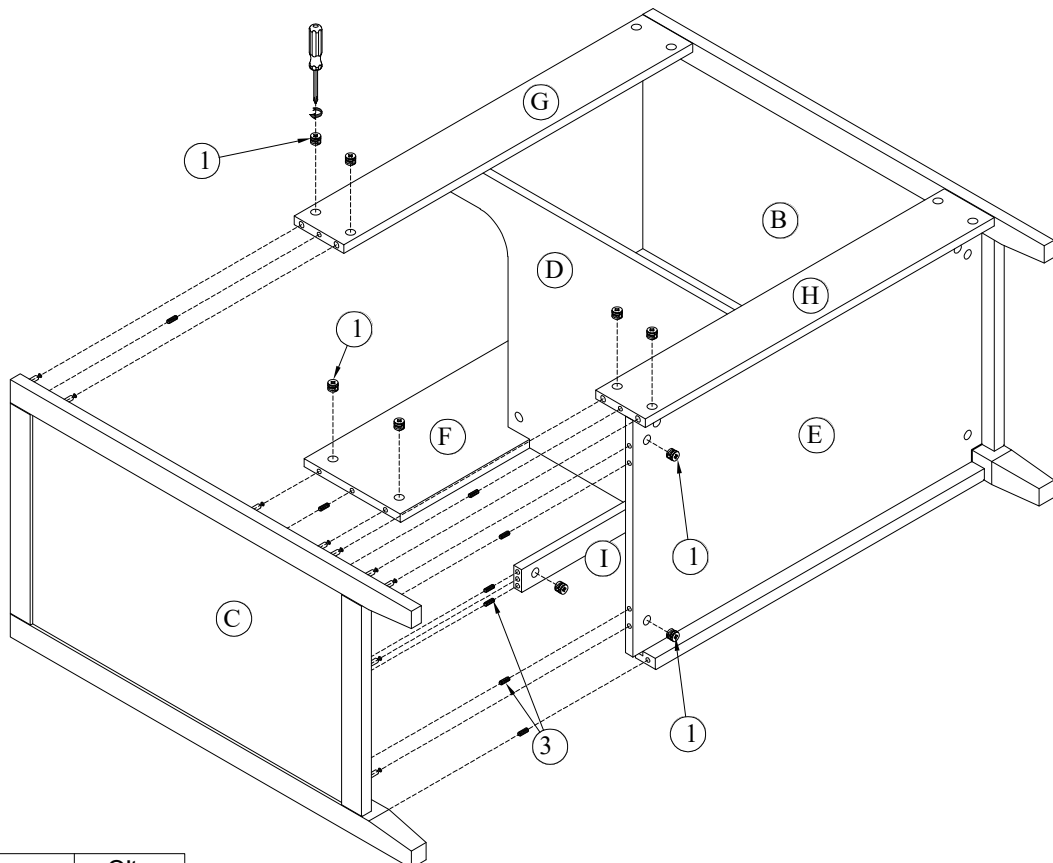
No	Hardware	Q'ty
1	Cam Lock	6
3	Wooden	5

Step 3



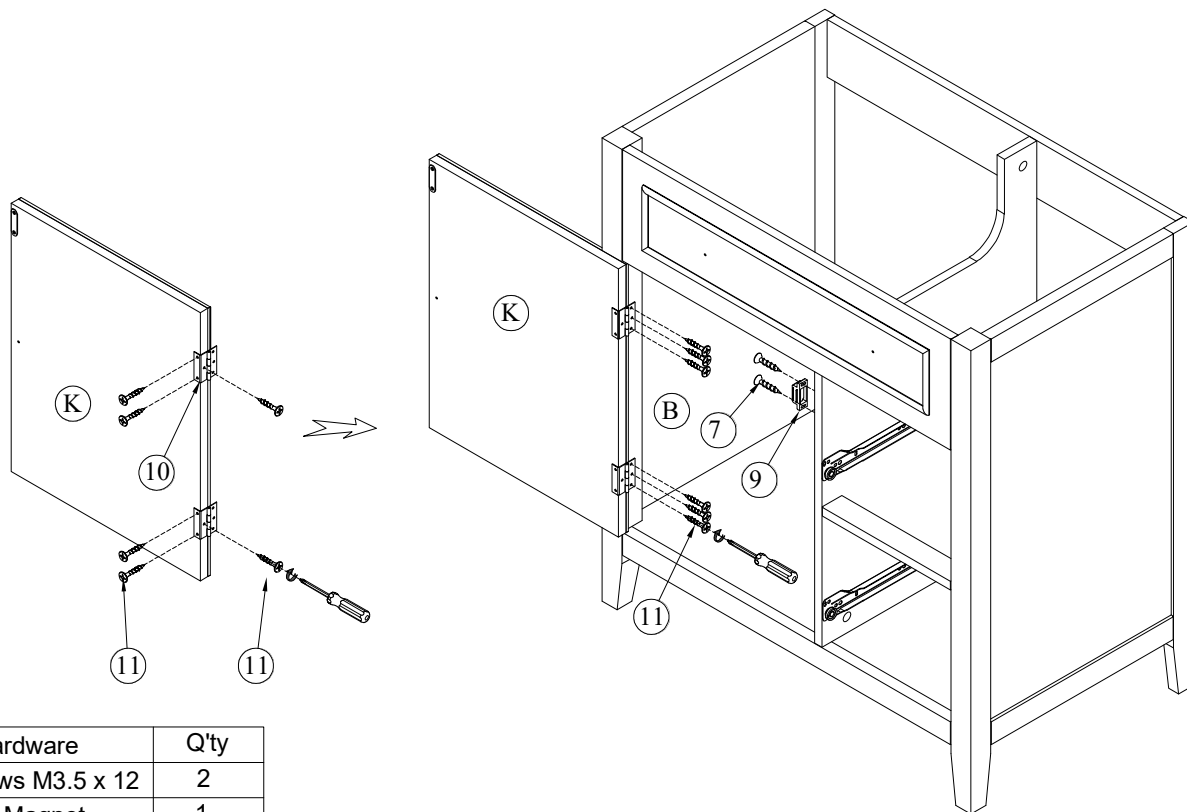
No	Hardware	Q'ty
1	Cam Lock	8
3	Wooden	6

Step 4



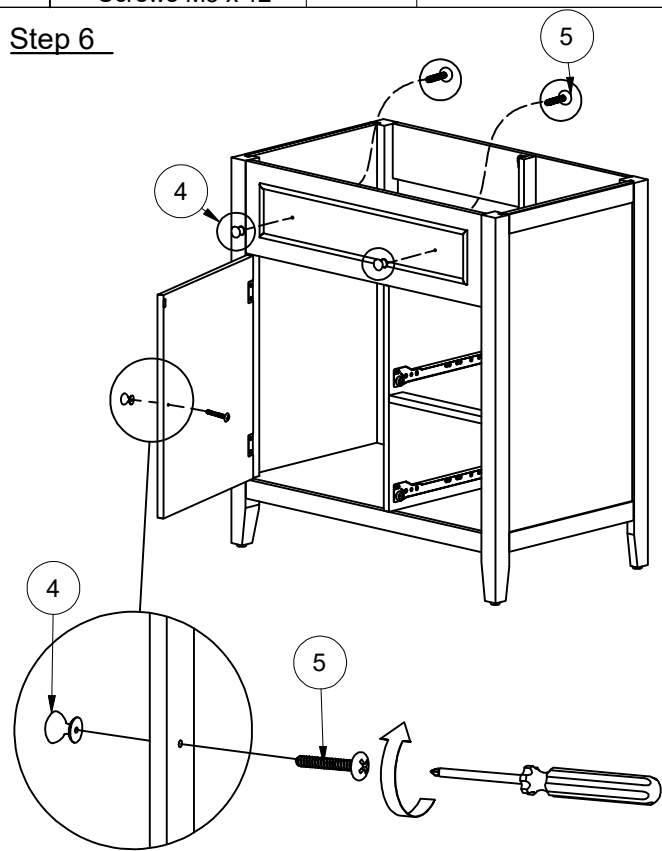
No	Hardware	Q'ty
1	Cam Lock	9
3	Wooden	8

Step 5



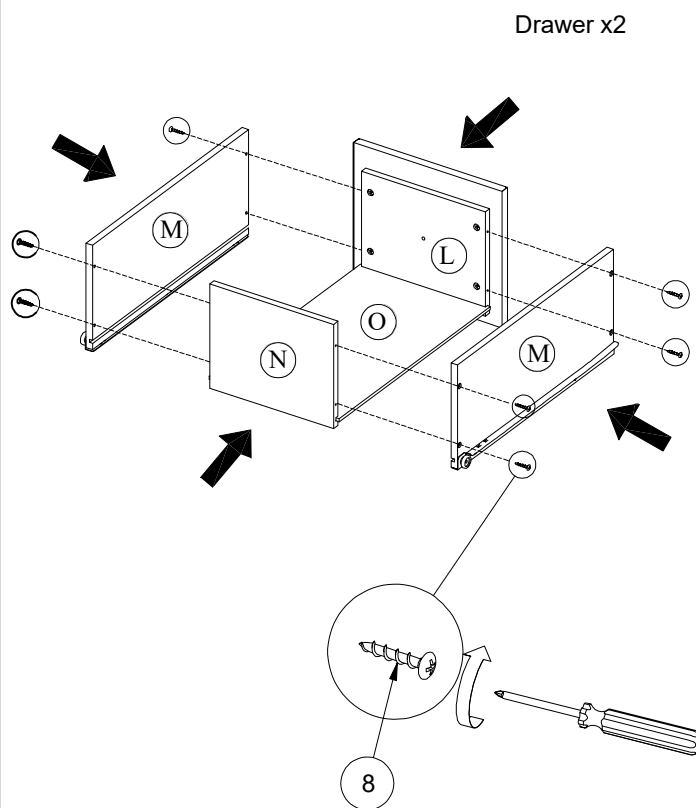
No	Hardware	Q'ty
7	Screws M3.5 x 12	2
9	Door Magnet	1
10	Hinges	2
11	Screws M3 x 12	12

Step 6



No	Hardware	Q'ty
4	Knob	3
5	Screws M4 x 15	3

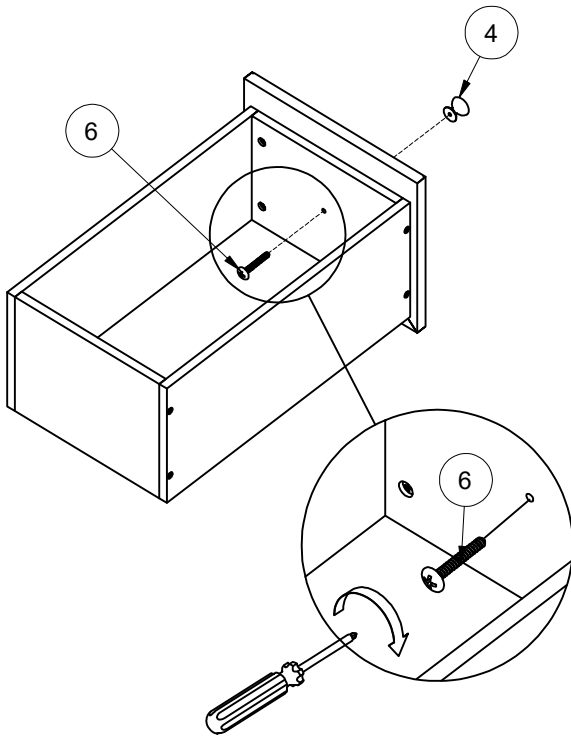
Step 7



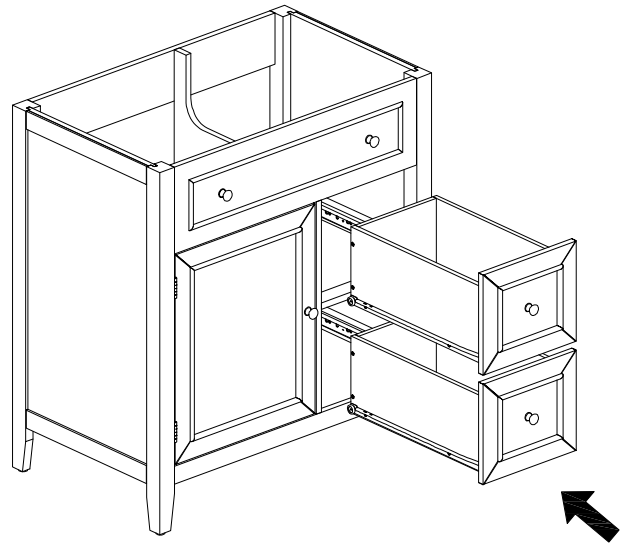
No	Hardware	Q'ty
8	Screws M4 x 25	16

Step 8

Drawer x2



Step 9



No	Hardware	Q'ty
4	Knob	2
6	Screws M4 x 25	2

Step 10



Step 11

