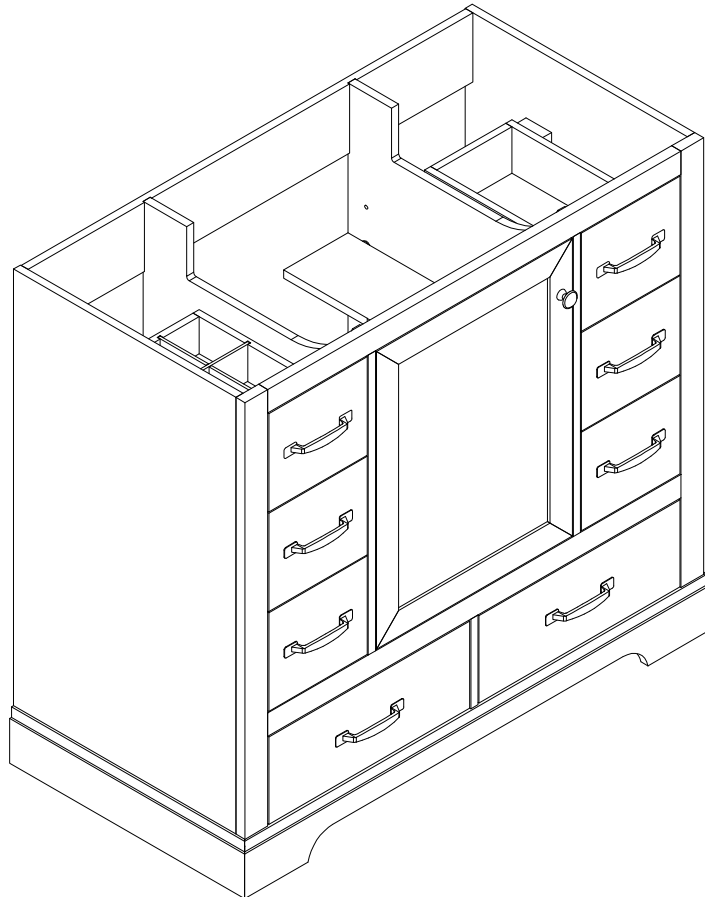


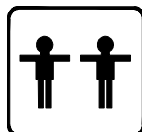
ASSEMBLY INSTRUCTIONS

BATH VANITY - CABINET

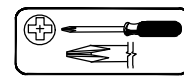


Thank you for purchasing this quality product. Be sure to check all packing material carefully for small parts which may have come loose inside the carton during shipment. Separate, identify and count all parts and hardware. Compare with the parts list to be sure all parts are present. "DO NOT TIGHTEN SCREWS UNTIL COMPLETELY ASSEMBLED"

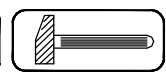
*** Use of power tool to assemble this product will invalidate any claim and damage this product making unsafe !!!**
*** Please assemble on a clean soft surface to avoid damage.**



Tools Required



(Not included)



(Not included)

IMPORTANT:

PLEASE READ INSTRUCTION BEFORE STARTING THE ASSEMBLY

Thank you for buying our products.

Please read the installation manual carefully before installation,

we need you to follow the instructions on the accessories and hardware

step by step assembly complete, our instructions are very detailed.

Products are environmentally friendly products,

Please rest assured that you do not soak in water, do not place very heavy items,

do not malicious push and pull,

if you have any problems in the process of assembly and use, please contact us.

Thank you again for your purchase of our products,

I wish you a happy life.

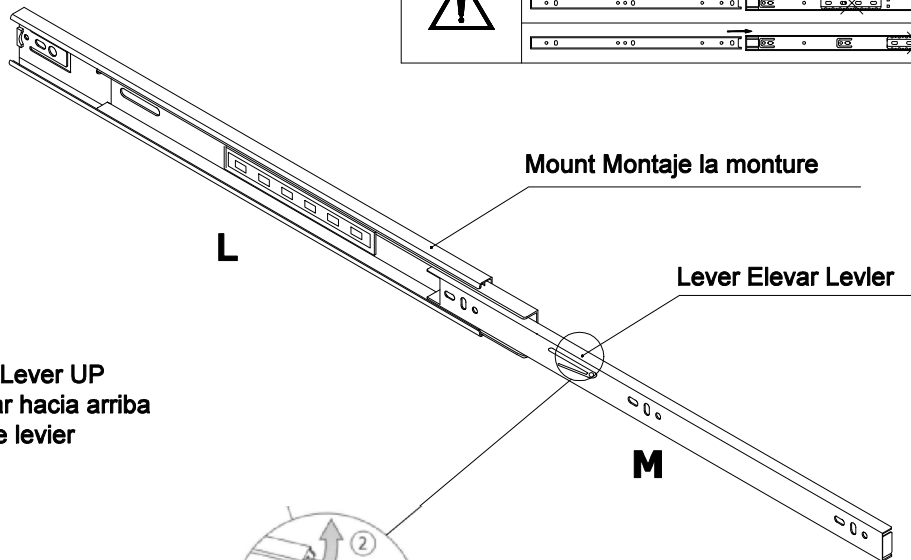
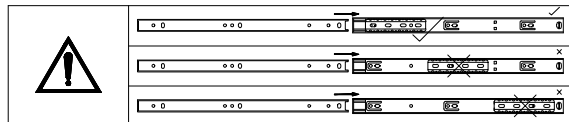
**Slides Must Be Separated Before Assembly.
After Separated, Set Aside Until Needed for Assembly.**

Las diapositivas deben separarse antes del montaje.
Después de la separación, déjelo a un lado hasta que sea necesario.

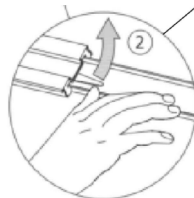
Les glissières doivent être séparées avant l'assemblage.
Après la séparation, mettez de côté jusqu'au moment de l'assemblage.

**Pay attention when connecting !
The sliding module must be at the front end.**

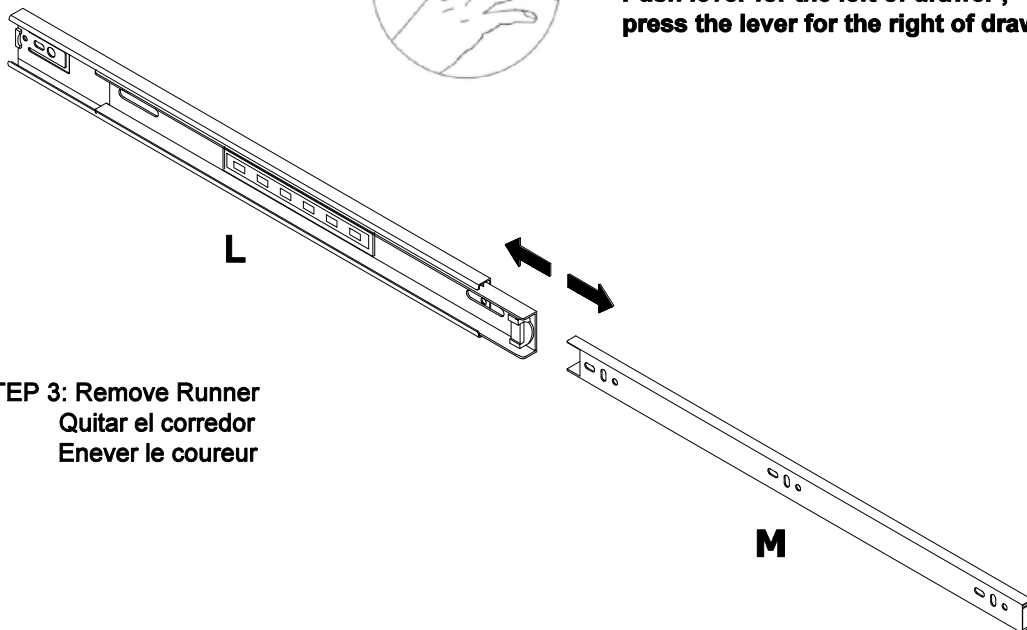
**STEP 1 : Extend Slide
Extender la diapositiva**



**STEP 2: Push Lever UP
Empujar hacia arriba
Lever le levier**

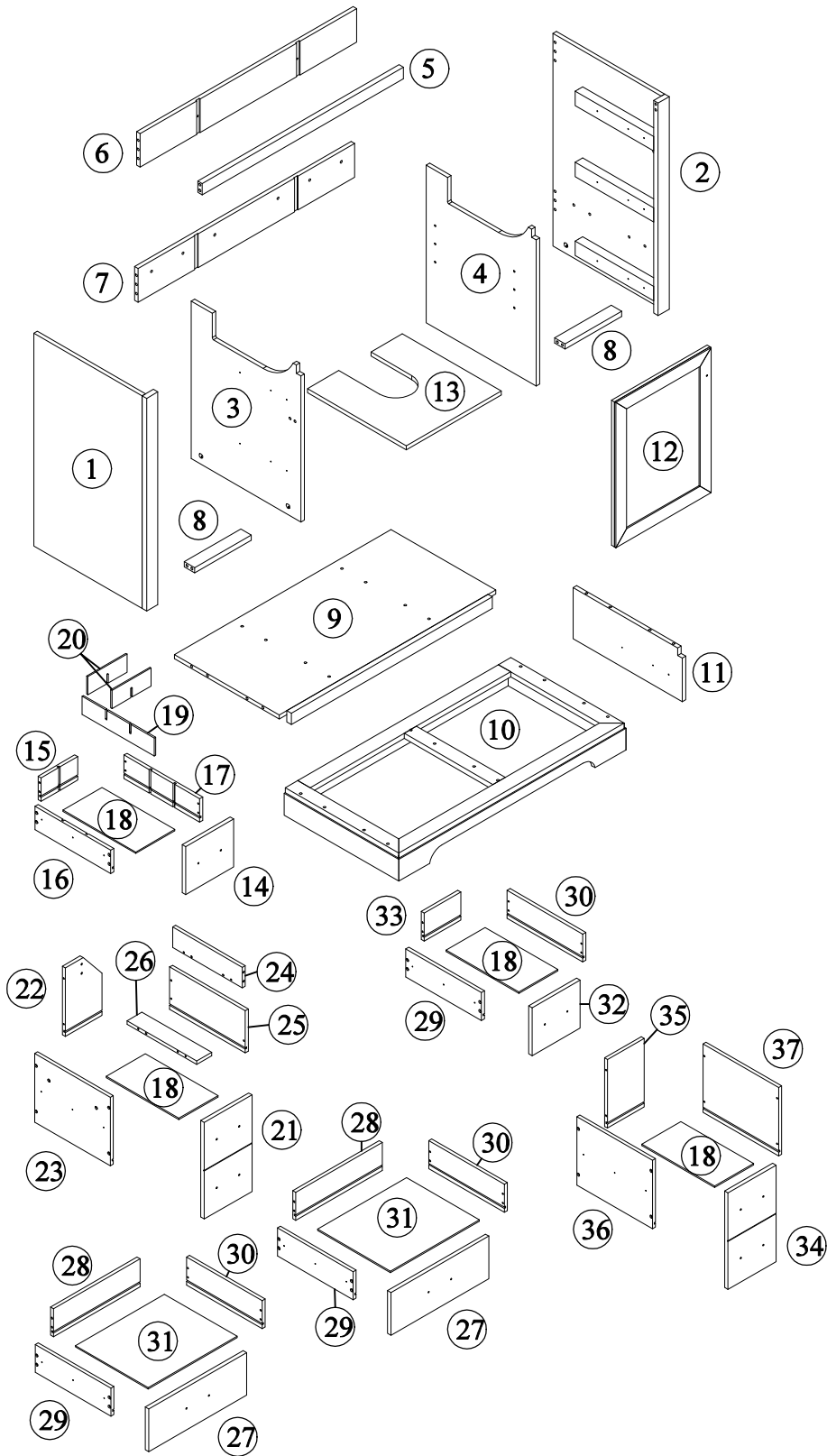


**Push lever for the left of drawer ,
press the lever for the right of drawer.**




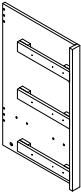

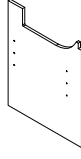
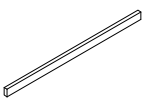
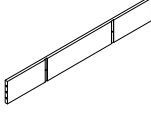
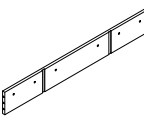
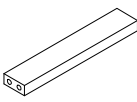
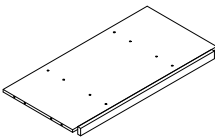
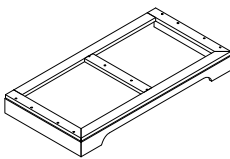
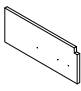
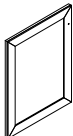
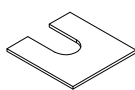
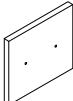
**STEP 3: Remove Runner
Quitar el corredor
Enlever le coureur**

Detail View - CABINET

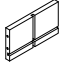
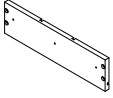
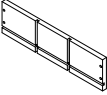
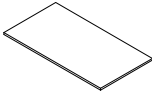
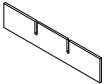
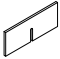
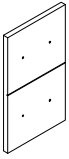
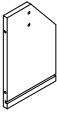
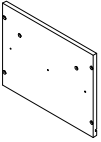
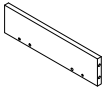
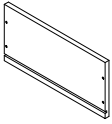
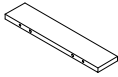
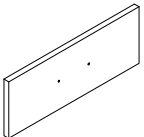
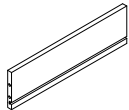
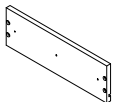
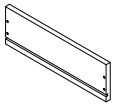


Identifying the Hardware-Identify the hardware using the illustrations below.

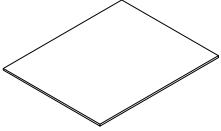
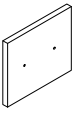
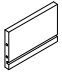

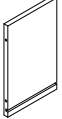
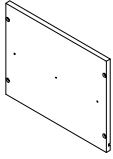
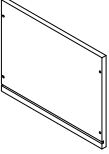
Part List - WF307973

<p>1</p>  <p>Side Panel (L) - 1pc</p>	<p>2</p>  <p>Side Panel (R) - 1pc</p>
<p>3</p>  <p>Mid Panel (L) - 1pc</p>	<p>4</p>  <p>Mid Panel (R) - 1pc</p>
<p>5</p>  <p>Front Crossbar Top - 1pc</p>	<p>6</p>  <p>Rear Panel Top - 1pc</p>
<p>7</p>  <p>Rear Panel Bottom - 1pc</p>	<p>8</p>  <p>Mid Front Crossbar - 2pcs</p>
<p>9</p>  <p>Frame Mid - 1pc</p>	<p>10</p>  <p>Frame Bottom - 1pc</p>
<p>11</p>  <p>Mid Panel - 1pc</p>	<p>12</p>  <p>Door Cabinet - 1pc</p>
<p>13</p>  <p>Adjustable Shelf - 1pc</p>	<p>14</p>  <p>Top Left Drawer Face - 1pc</p>

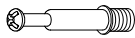


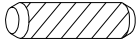



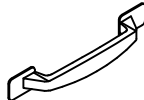

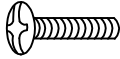

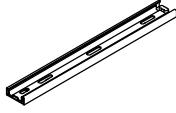
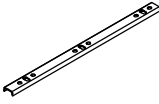
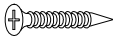


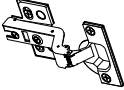
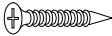
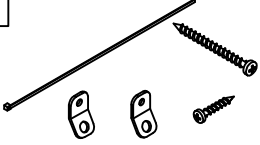
Part List - WF307973

<p>15</p>  <p>Top Left Drawer Panel Rear - 1pc</p>	<p>16</p>  <p>Top Left Drawer Panel Side (L) - 1pc</p>
<p>17</p>  <p>Top Left Drawer Panel Side (R) - 1pc</p>	<p>18</p>  <p>Drawer Panel bottom (A) - 4pcs</p>
<p>19</p>  <p>Drawer divide (A) - 1pc</p>	<p>20</p>  <p>Drawer divide (B) - 2pcs</p>
<p>21</p>  <p>Mid Left Drawer Face - 1pc</p>	<p>22</p>  <p>Mid Left Drawer Panel Rear - 1pc</p>
<p>23</p>  <p>Mid Left Drawer Panel Side (L) - 1pc</p>	<p>24</p>  <p>Mid Left Drawer Panel Side (R-A) - 1pc</p>
<p>25</p>  <p>Mid Left Drawer Panel Side (R-B) - 1pc</p>	<p>26</p>  <p>Mid Left Drawer Panel bottom - 1pc</p>
<p>27</p>  <p>Lower Drawer Face - 2pcs</p>	<p>28</p>  <p>Lower Drawer Panel Rear - 2pcs</p>
<p>29</p>  <p>Drawer Panel Side (L) - 3pcs</p>	<p>30</p>  <p>Drawer Panel Side (R) - 3pcs</p>

Part List - WF307973

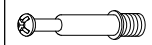
<p>31</p>  <p>Drawer Panel bottom (B) - 2pcs</p>	<p>32</p>  <p>Top Right Drawer Face - 1pc</p>
<p>33</p>  <p>Top Right Drawer Panel Rear - 1pc</p>	<p>34</p>  <p>Mid Right Drawer Face - 1pc</p>
<p>35</p>  <p>Mid Right Drawer Panel Rear - 1pc</p>	<p>36</p>  <p>Mid Right Drawer Panel Side (L) - 1pc</p>
<p>37</p>  <p>Mid Right Drawer Panel Side (R) - 1pc</p>	

Hardware List - WF307973

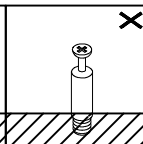
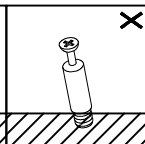
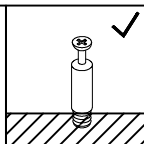
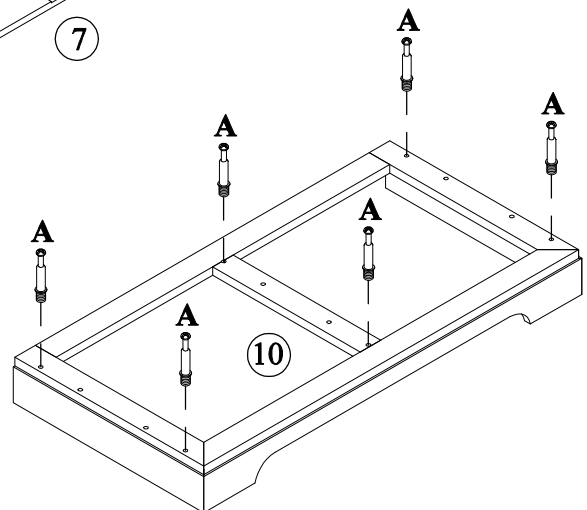
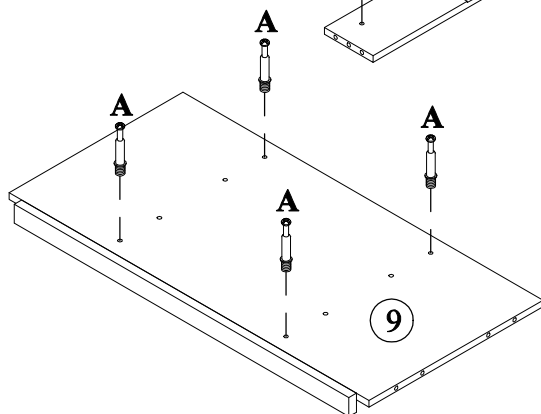
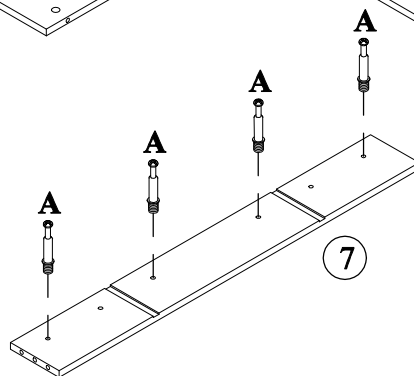
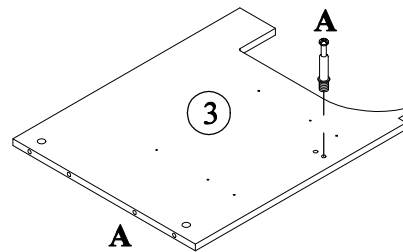
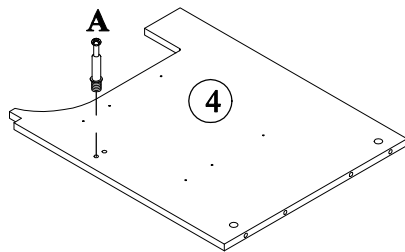
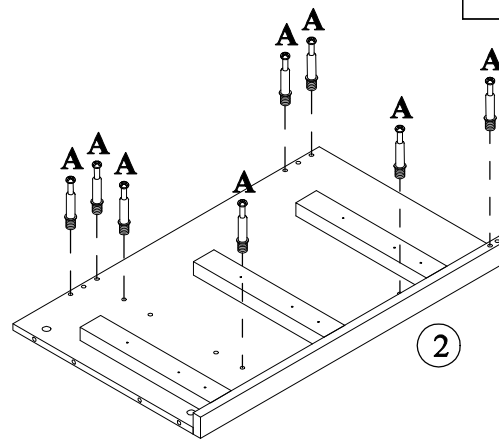
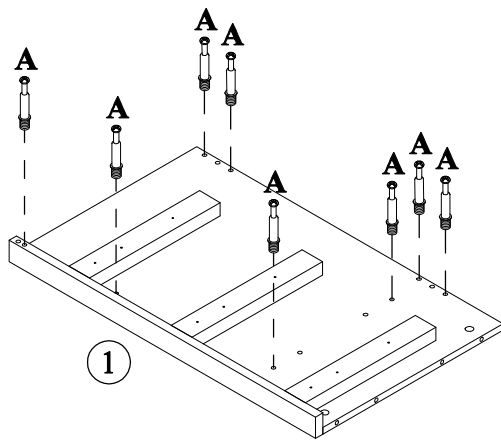
A  ø6x35mm	B  ø14.5x12mm	C  ø6x30mm
Three in one bolts (34pcs)	Three in one lock (34pcs)	Wood dowel (8pcs)
D  ø8x30mm	E 	F  ø8xø4x25mm
Wood dowel (30pcs)	Laminate pad(4pcs)	Round head screw (2pcs)
G  ø8xø4x30mm	H 	I 
Round head screw (52pcs)	Handle (8pcs)	Handle (1pc)
J  ø5/32"x19mm	K  ø5/32"x28mm	L  ø300x35mm
Handle screw (2pcs)	Handle screw (15pcs)	Slide rails (12pcs)
M  ø298x18mm	N  ø6xø3x12mm	O 
Slide rails (12pcs)	Flat head screw (72pcs)	L-Bracket (2pcs)
P  ø7xø3.5x12mm	Q 	R  ø7xø3.5x15mm
Round head screw (4pcs)	Damping hinge (2pcs)	Flat head screw (12pcs)
S  Anti fall hardware (1set)		

STEP: 1


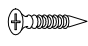
A

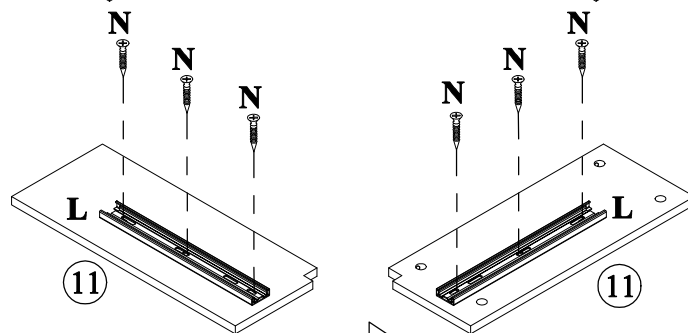
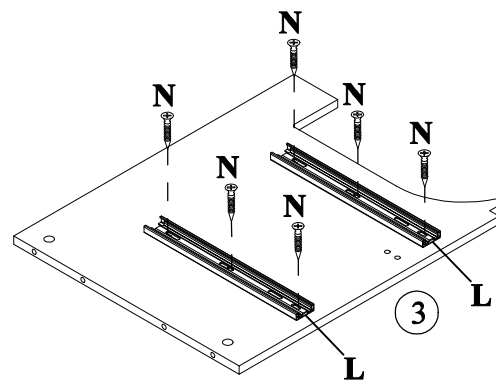
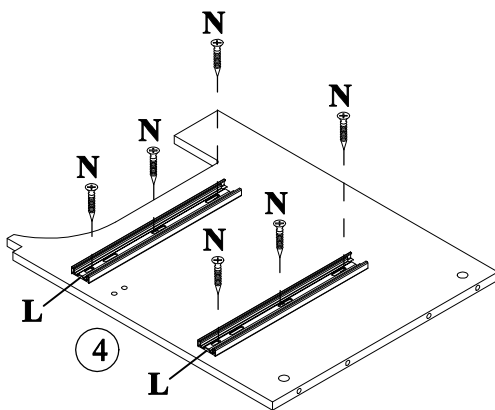
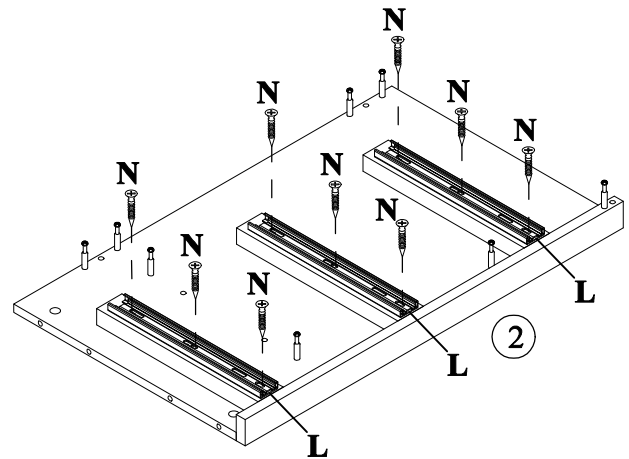
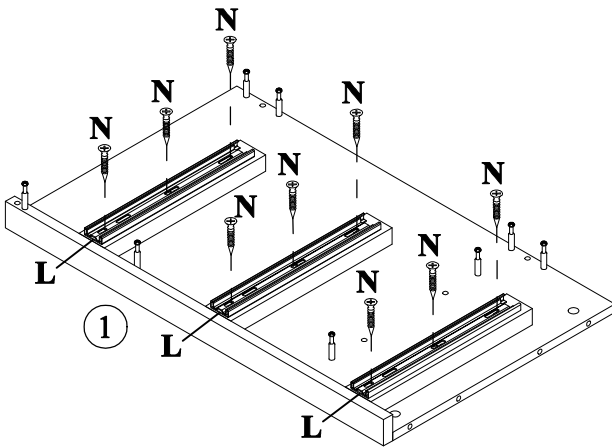


32PCS

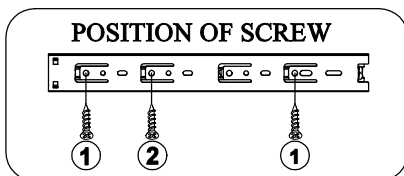


STEP: 2


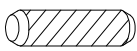
L		N	
	12PCS		36PCS

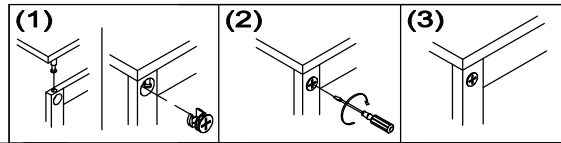
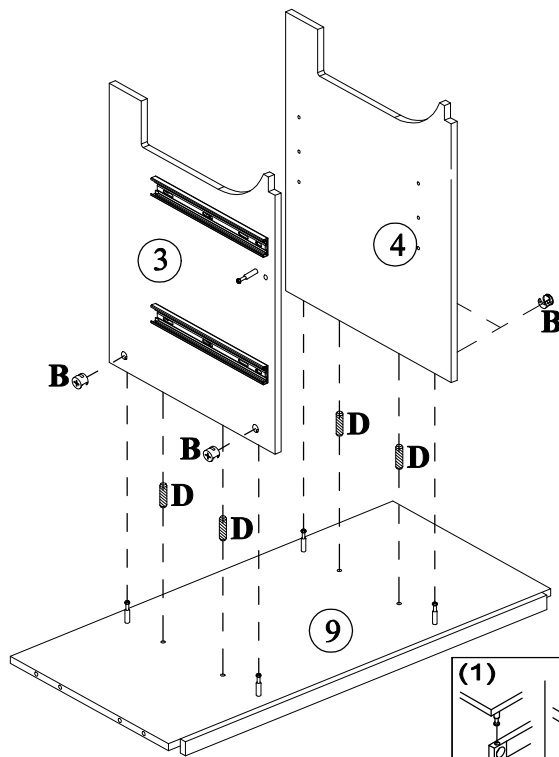


Turn over and install slide rail


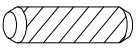



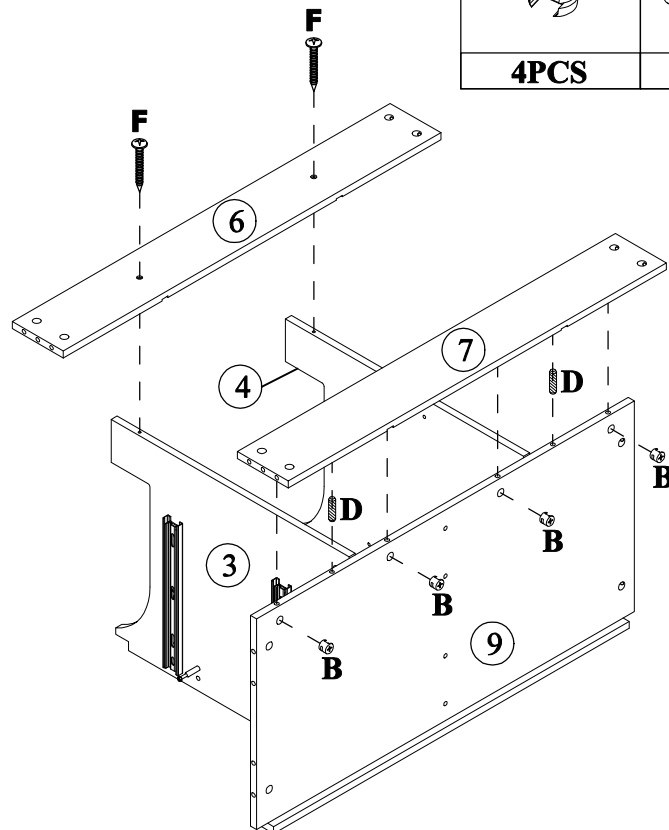
STEP: 3

B		D	
	4PCS		4PCS

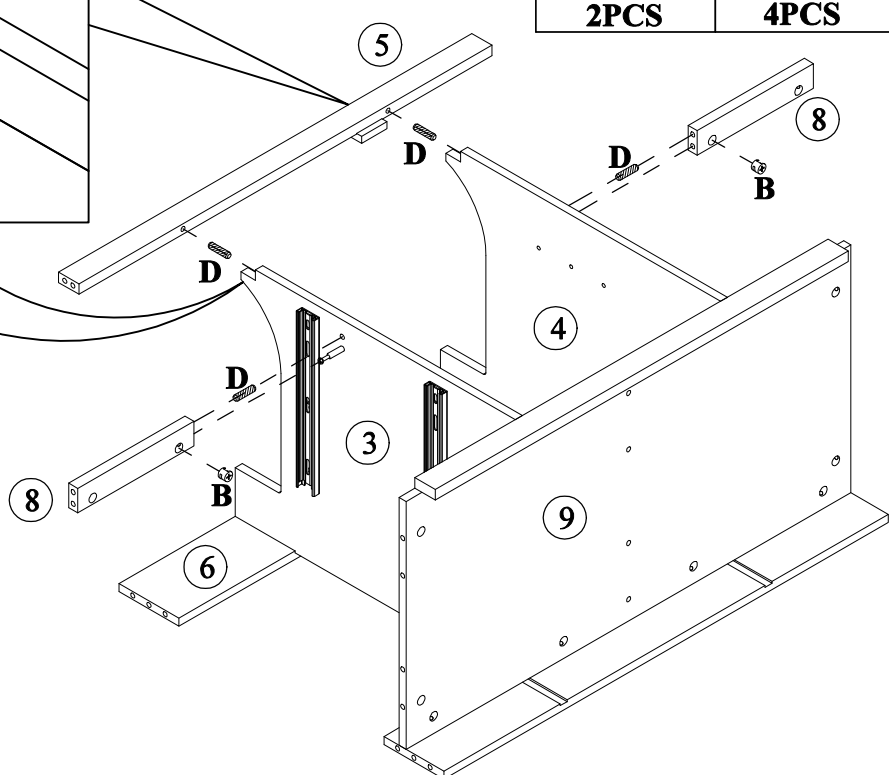
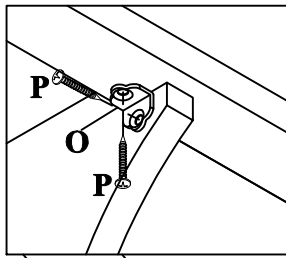



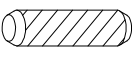


STEP: 4

B		D		F	
	4PCS		2PCS		2PCS

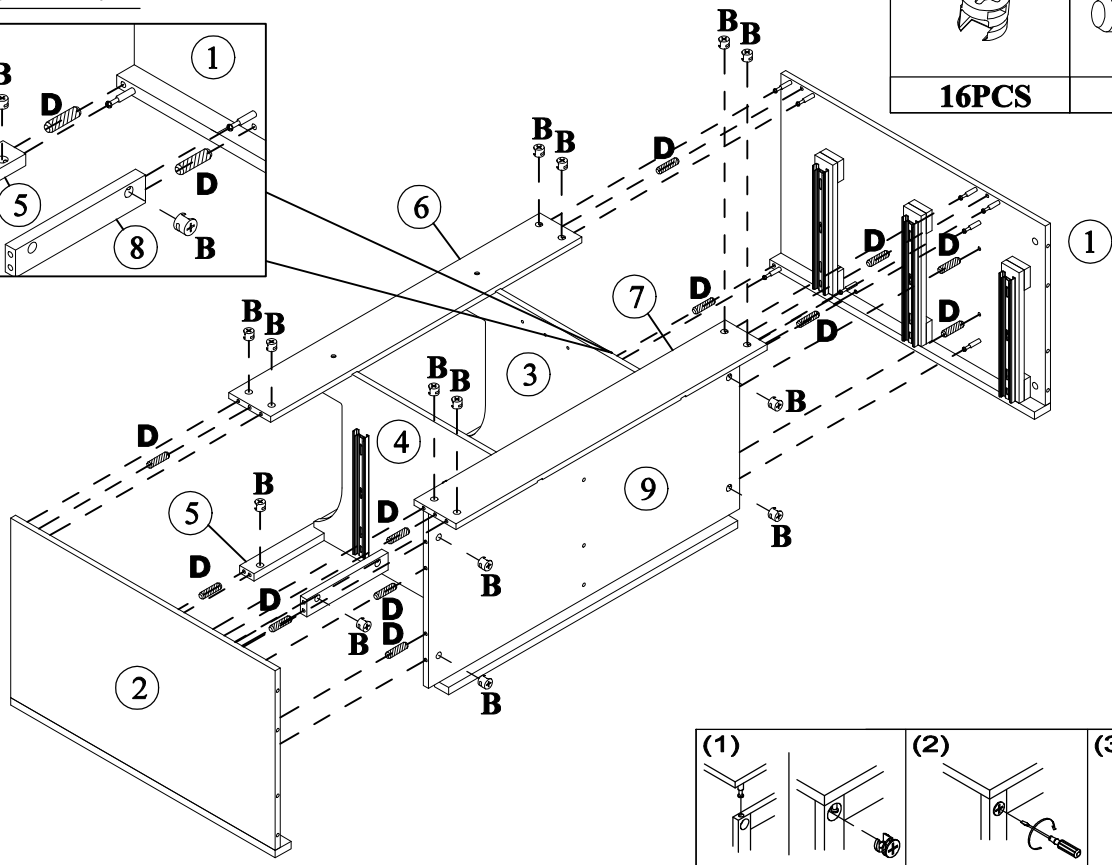
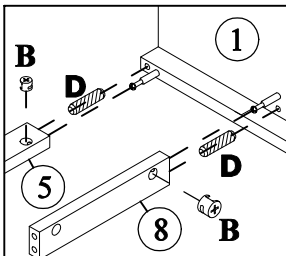




STEP: 5

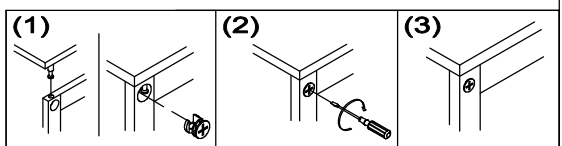


B 	D 	O 
2PCS	4PCS	2PCS
P 		
4PCS		

STEP: 6



B 	D 
16PCS	12PCS

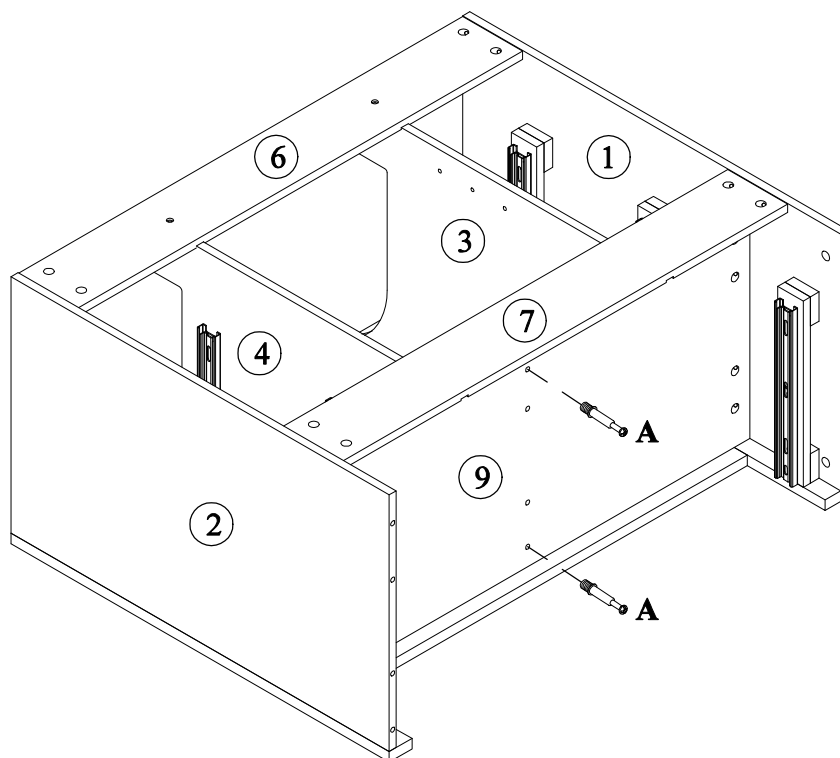


STEP: 7

A



2PCS



STEP: 8

B

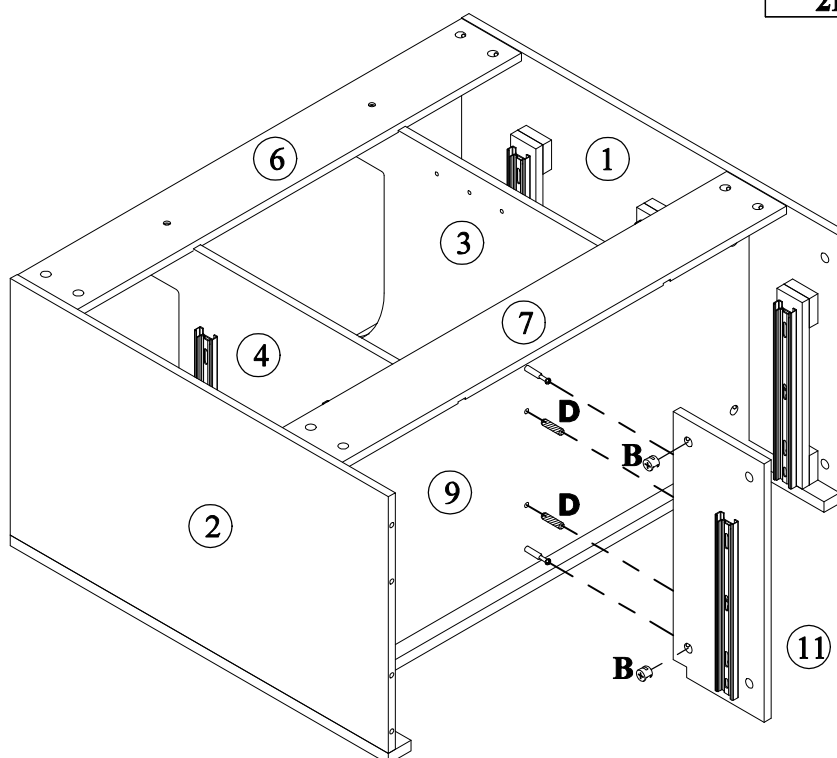


2PCS

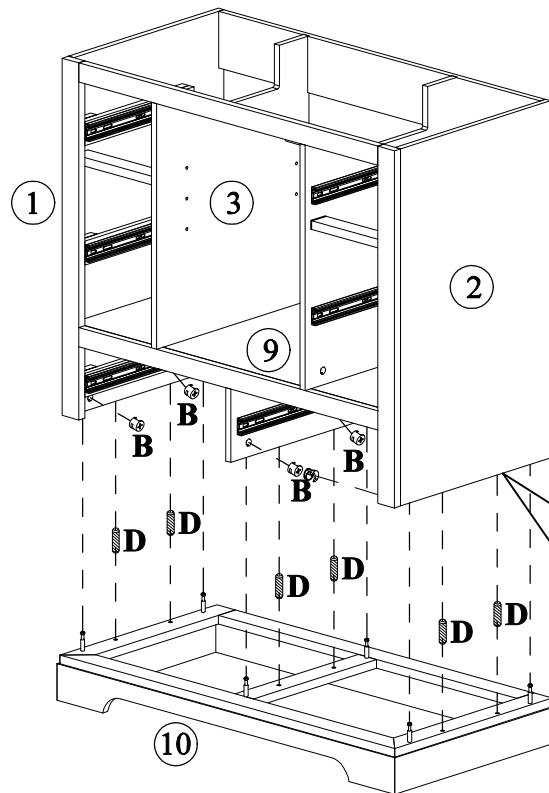
D


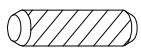


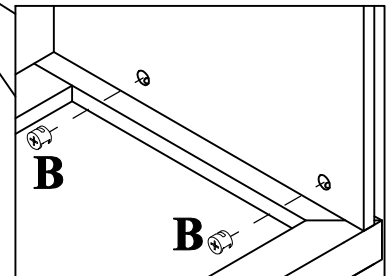
2PCS



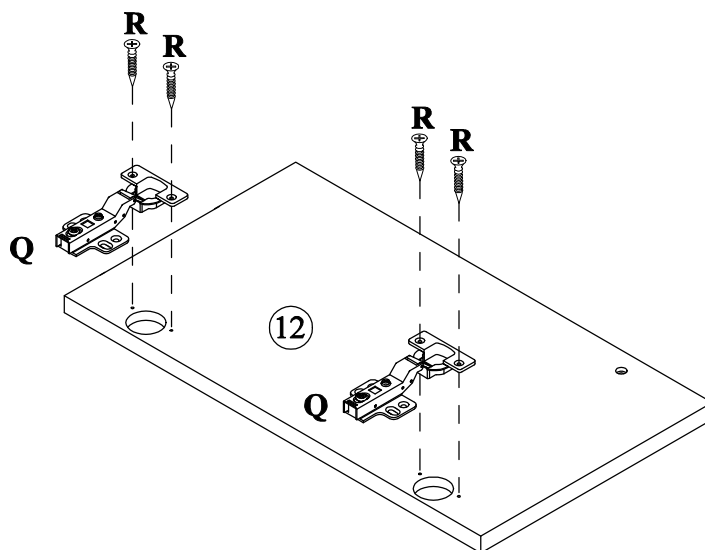
STEP: 9


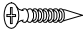


B 	D 
6PCS	6PCS

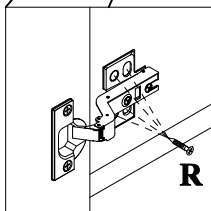
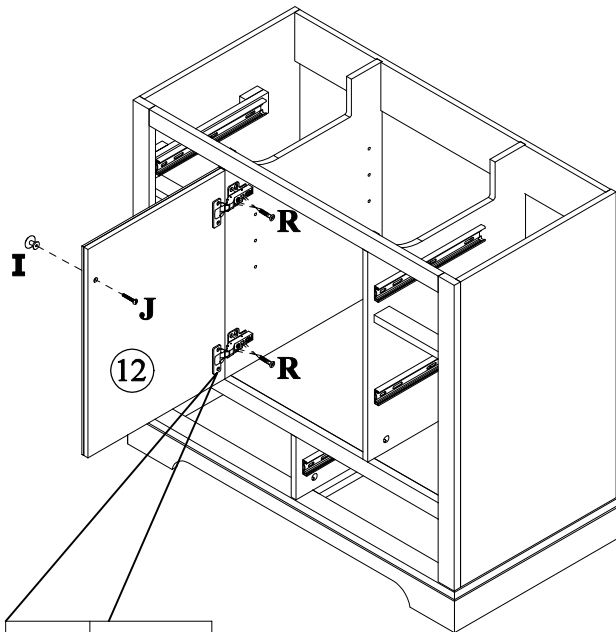


STEP: 10



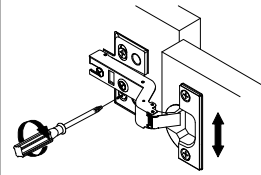
Q 	R 
2PCS	4PCS

STEP: 11

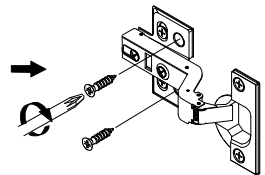


I	J	R
1PC	1PC	8PCS

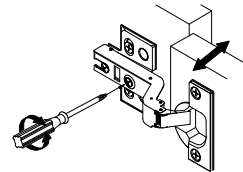
Use the screws to adjust up or down



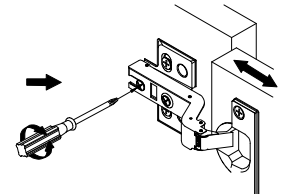
Use the screws to permanent



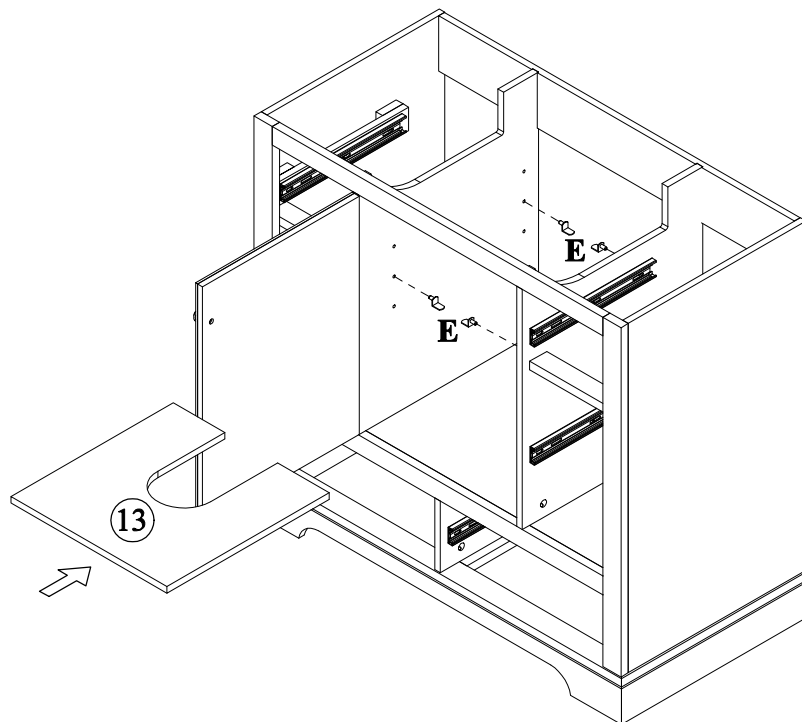
Use the screws to adjust left or right



Use the screws to adjust in or out

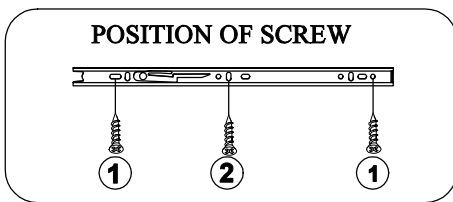
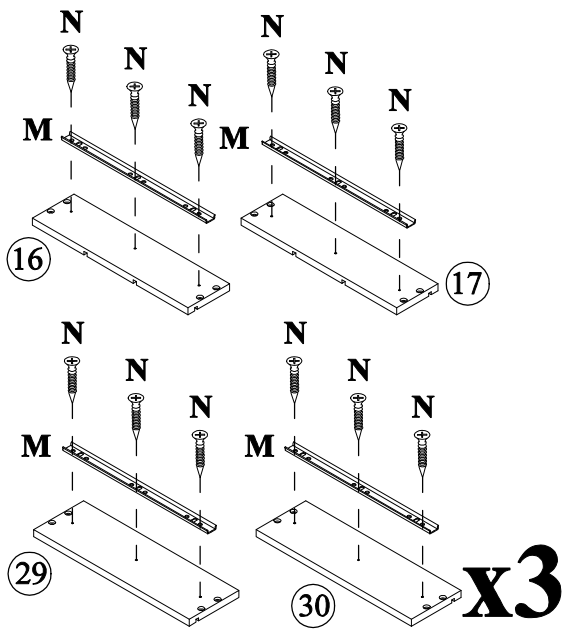


STEP: 12

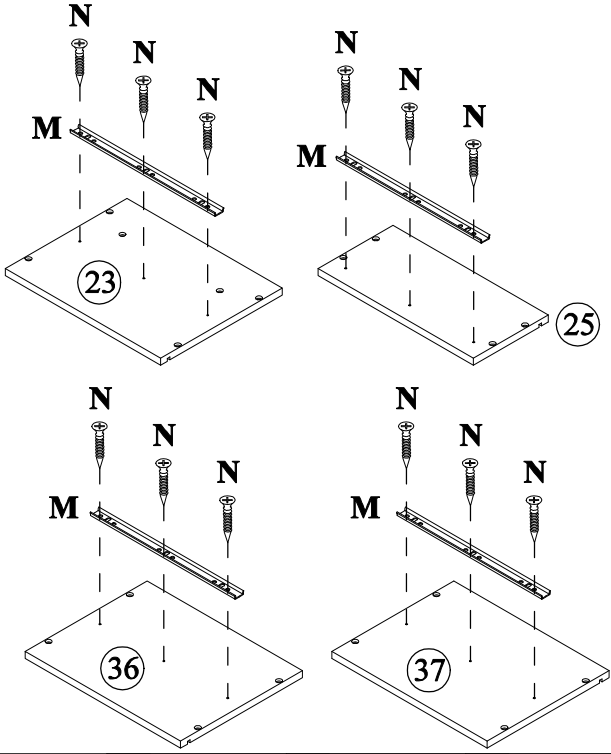


E
4PCS

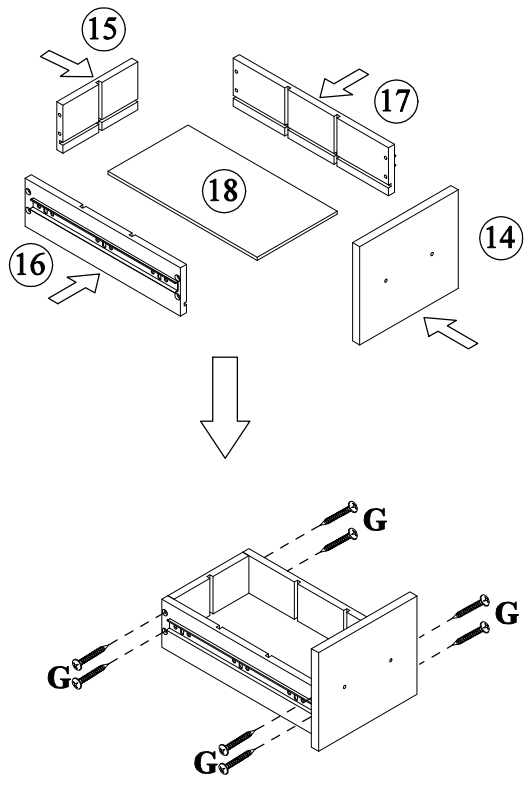
STEP: 13



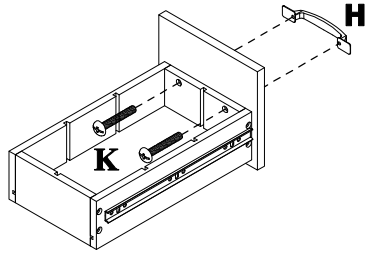
M		N	
	12PCS		36PCS



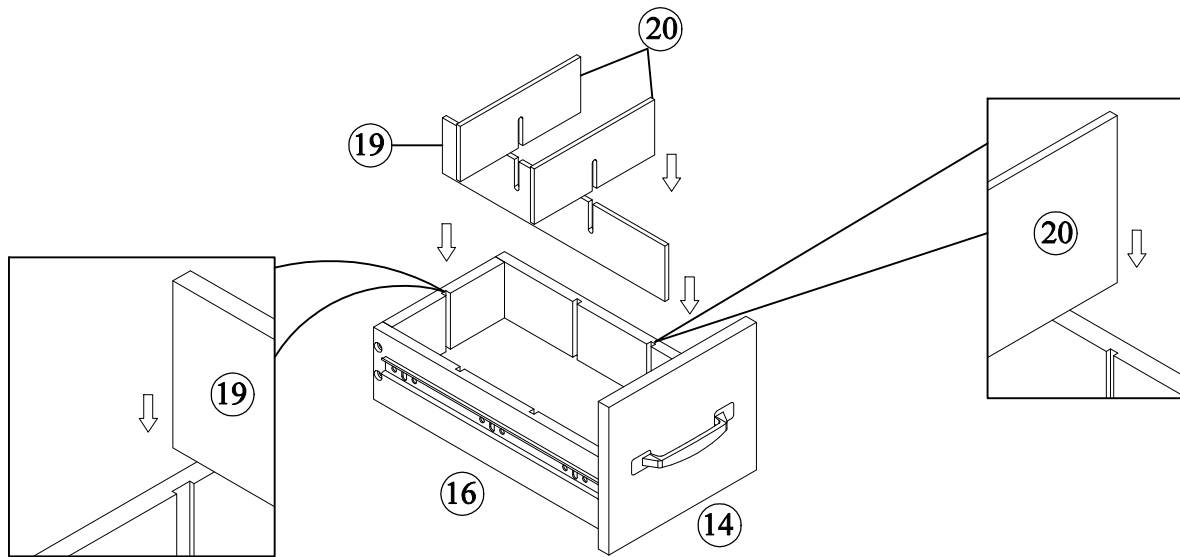
STEP: 14



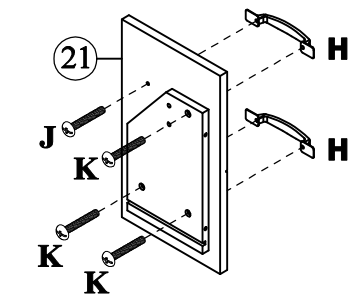
G		H		K	
	8PCS		1PC		2PCS


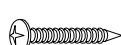
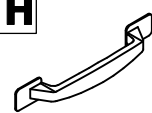
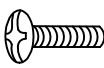
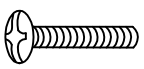


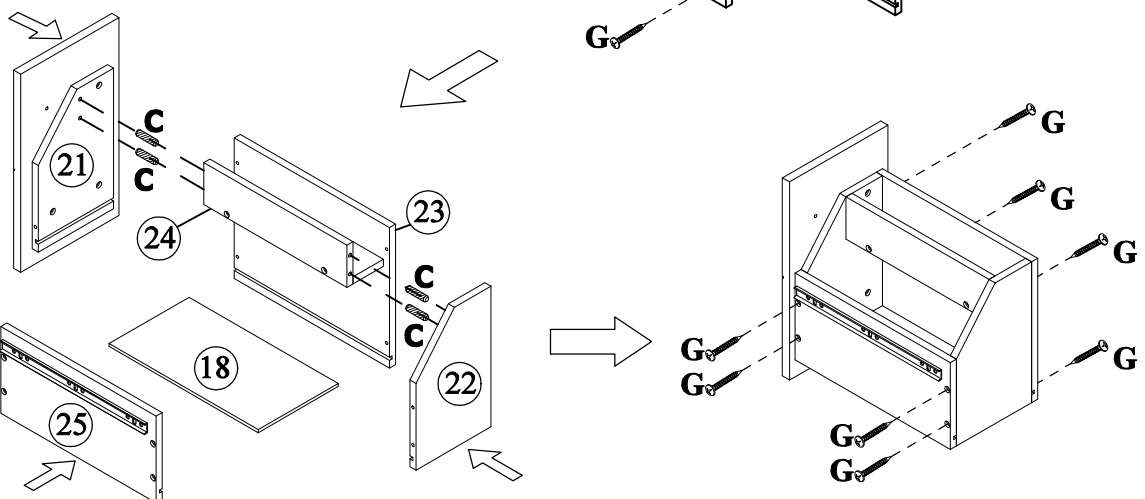
STEP: 15



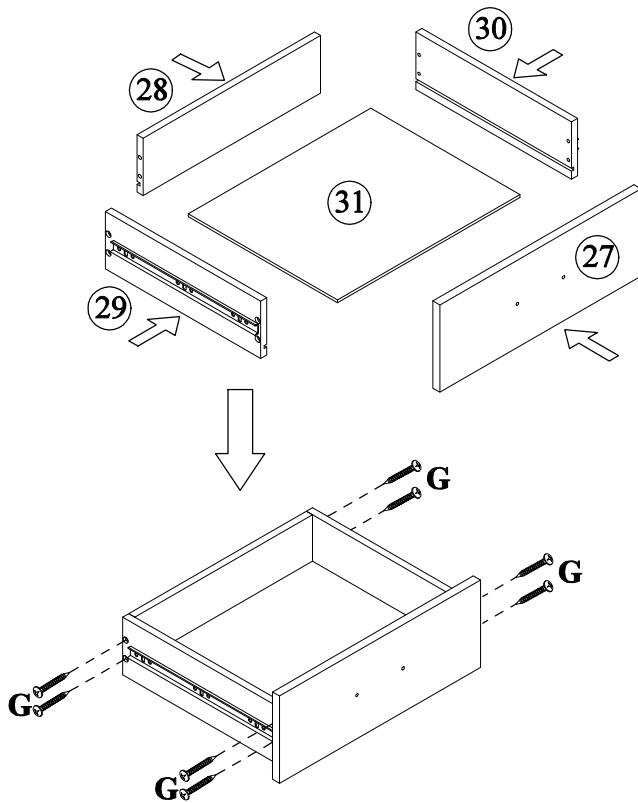
STEP: 16


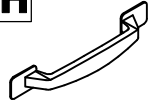



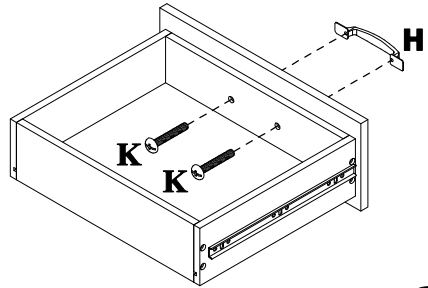
C 	G 	H 	J 
8PCS	12PCS	2PCS	1PC
			K 
			3PCS



STEP: 17

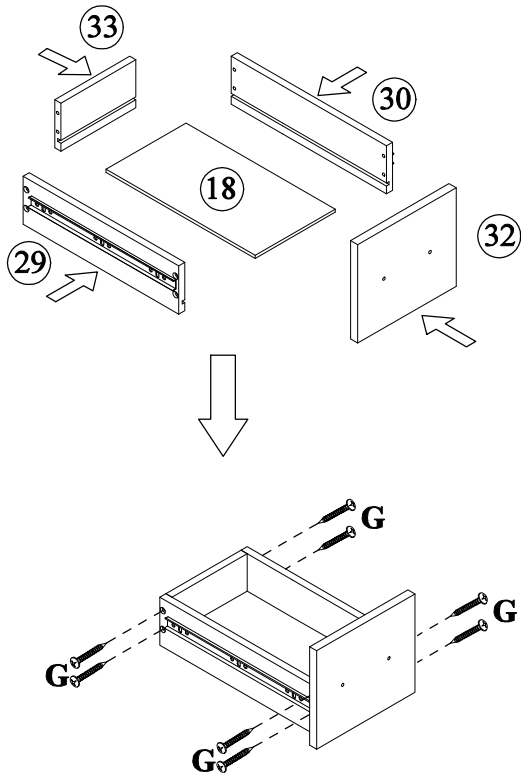



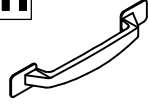

G	H	K
		
16PCS	2PC	4PCS

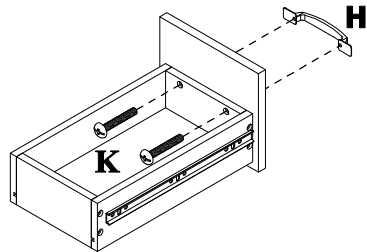


x2

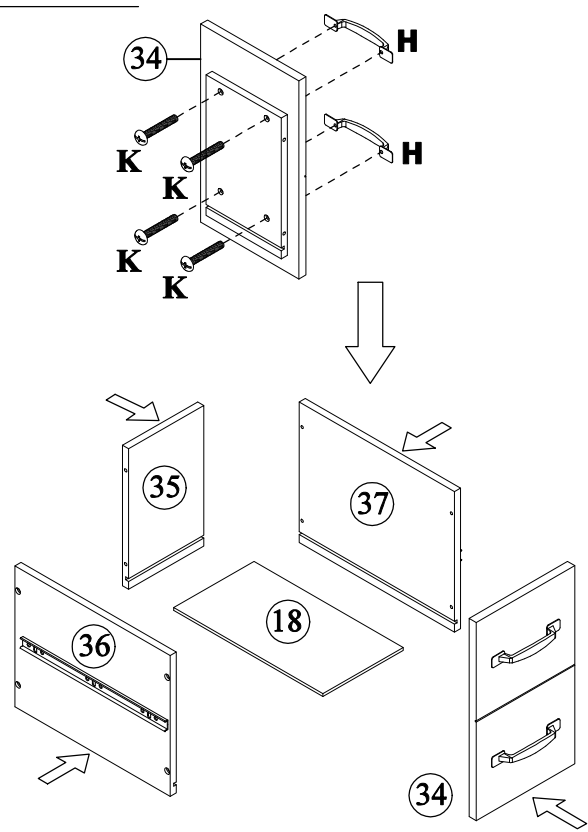
STEP: 18


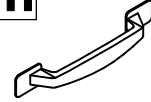
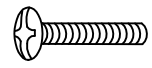


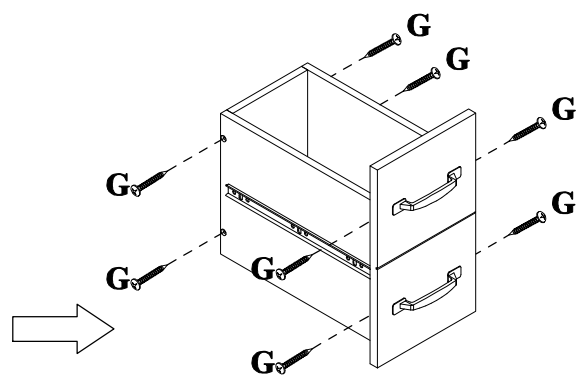
G	H	K
		
8PCS	1PC	2PCS



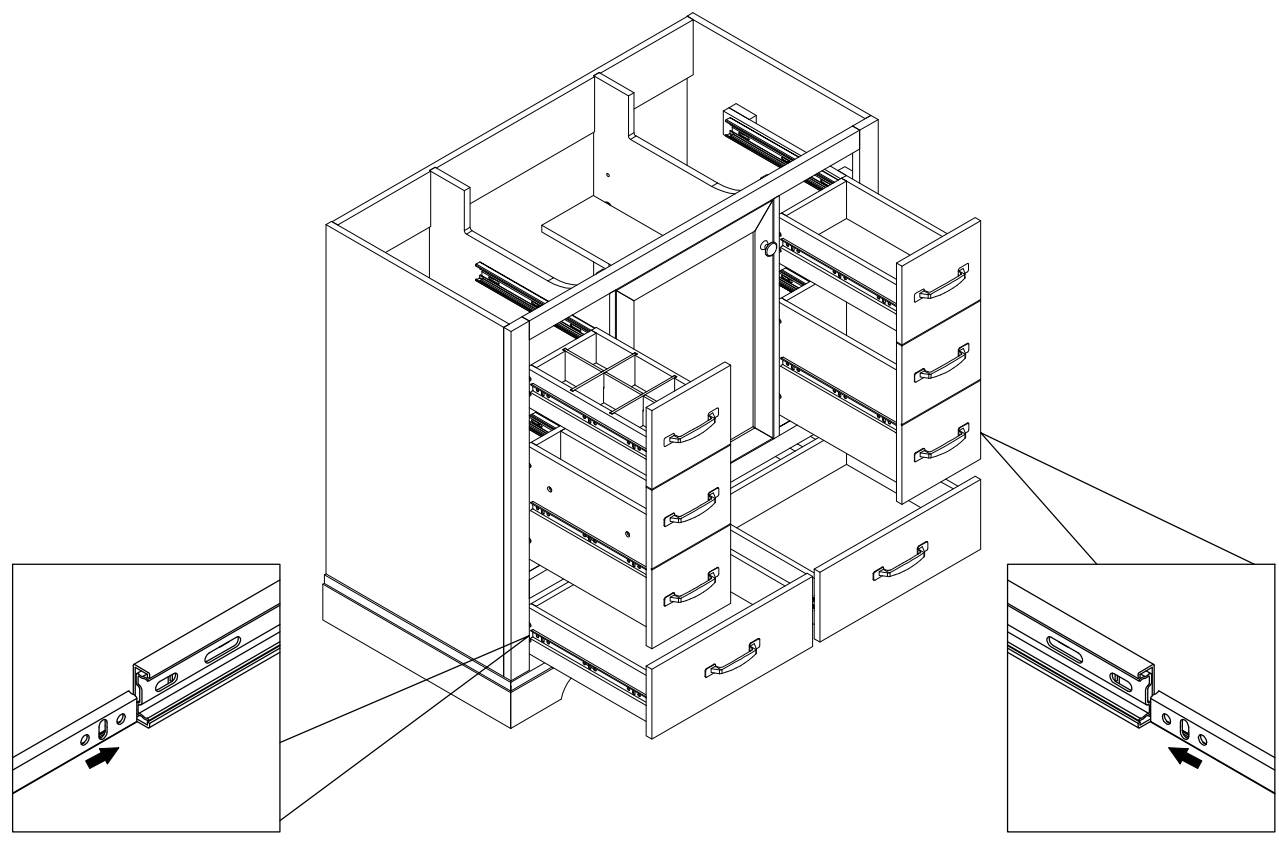
STEP: 19



G 	H 	K 
8PCS	2PCS	4PCS

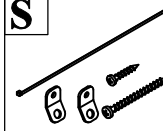


STEP: 20

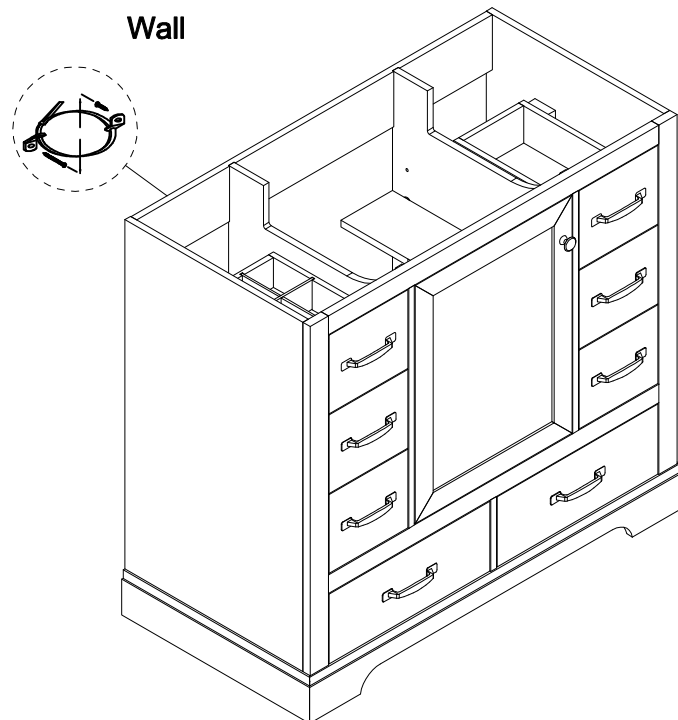


STEP: 21

S

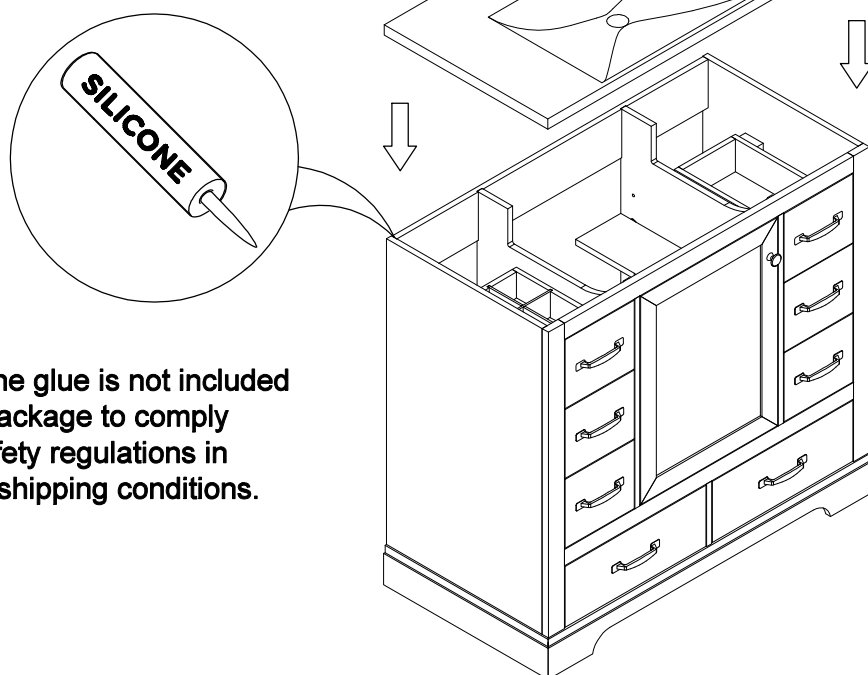


1SET



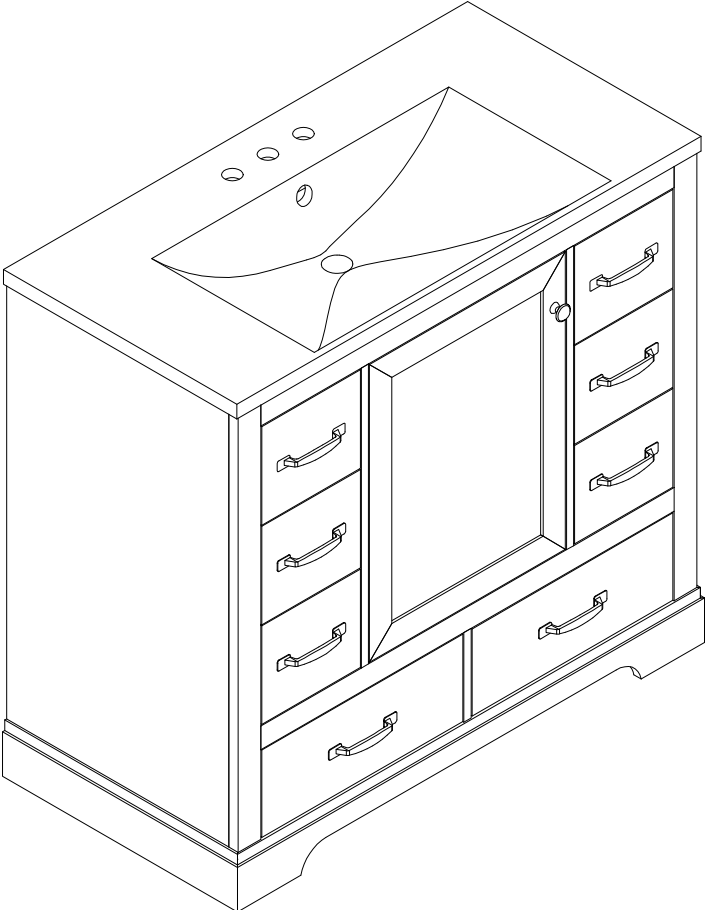
STEP: 22

Install the sink on the cabinet with glue.
Let stand for 24 hours

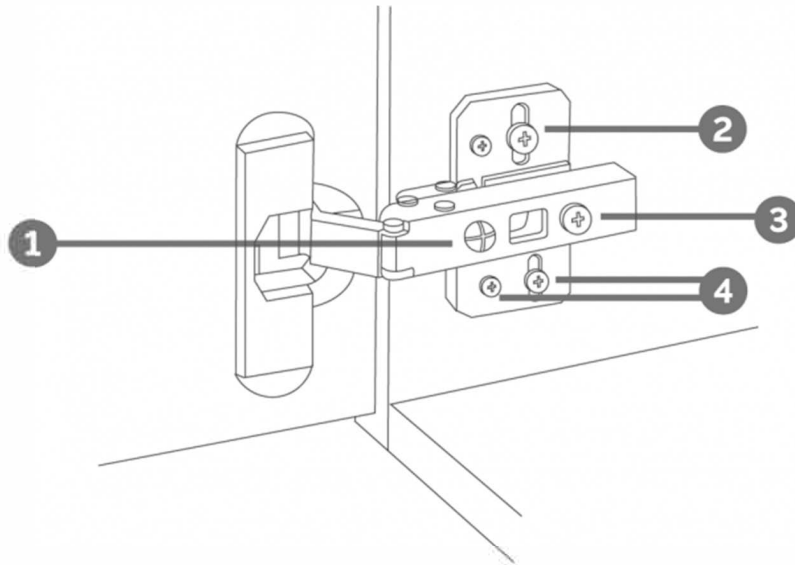


*Silicone glue is not included
in the package to comply
with safety regulations in
certain shipping conditions.

STEP: 23

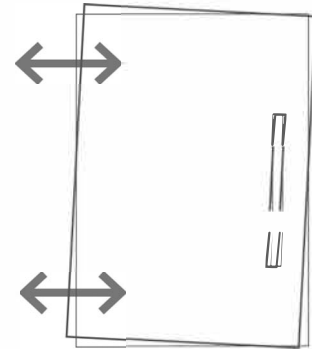


HINGE ADJUSTMENTS



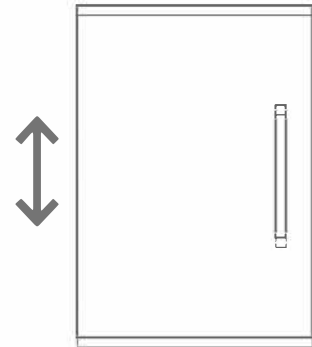
1 Sideways / Tilt adjustment

Turn the screw
clockwise to move the door further away from
the side of the cabinet
anticlockwise to move the door closer to the
side of the cabinet



2 4 Height adjustment

While supporting the weight of the door, turn the
screws
clockwise to move the door up
anticlockwise to move the door down



3 Forward and back adjustment

If the gap between the back of the door and the
cabinet is too small, and the door may not close
fully. Turn the screw
clockwise to decrease the gap between the
door and the cabinet
anticlockwise to increase the gap between the
door and the cabinet

