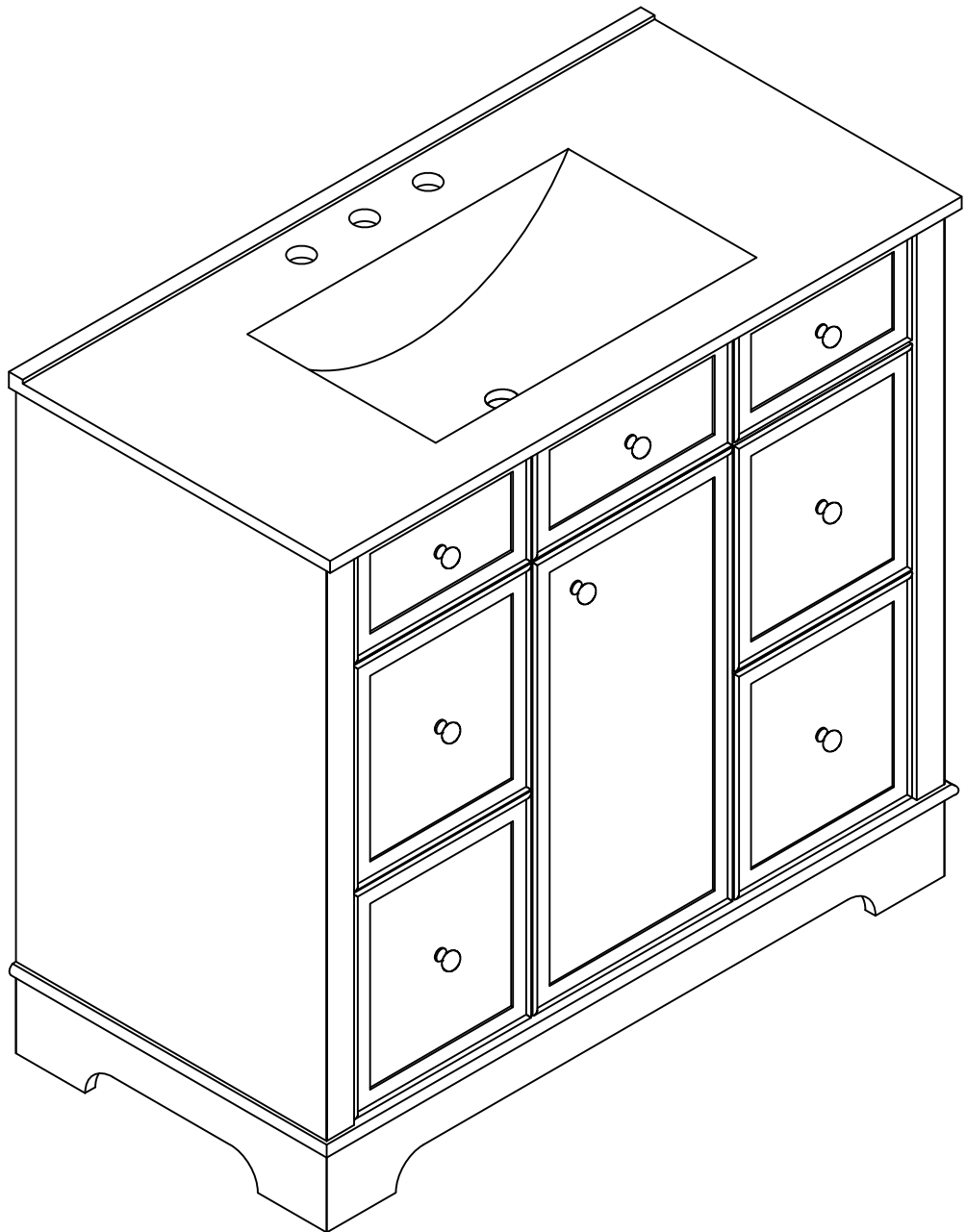
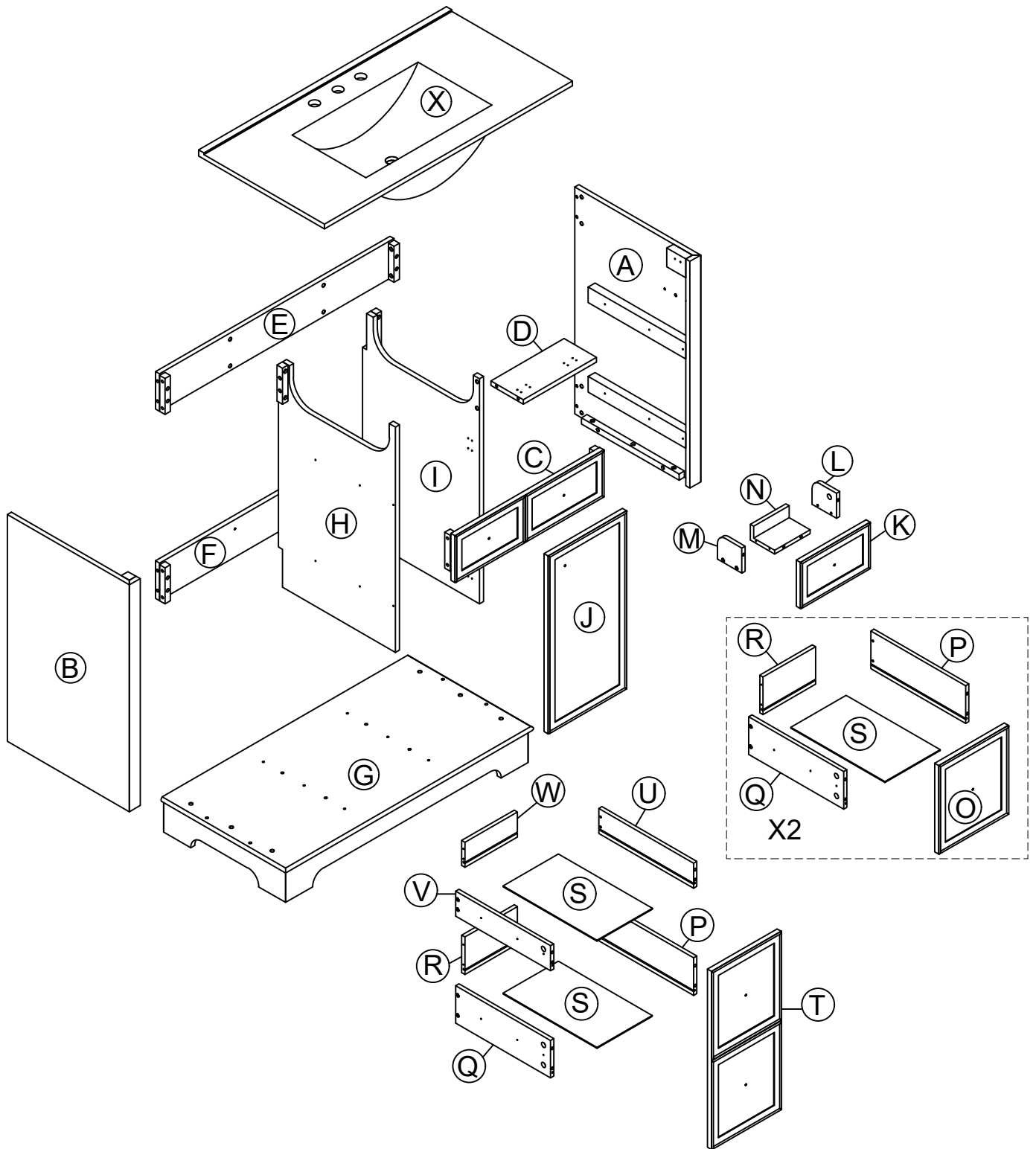
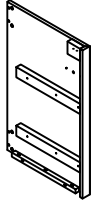
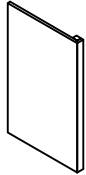
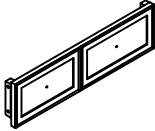
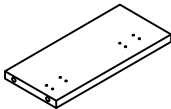
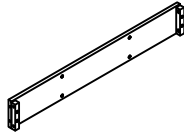
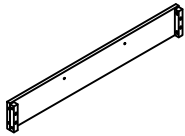
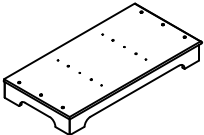
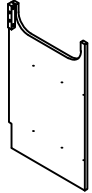
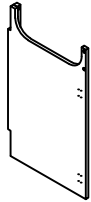

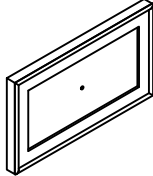


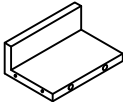
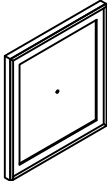
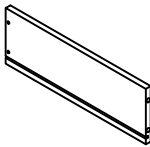
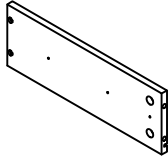
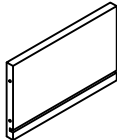
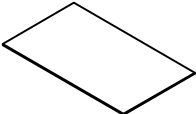

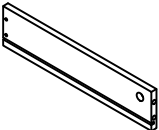
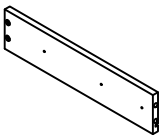
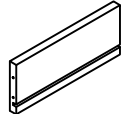



WF531253

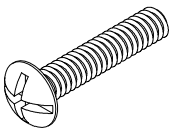
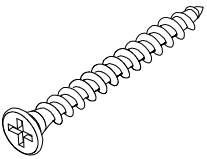
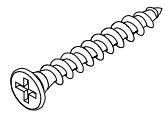
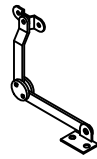

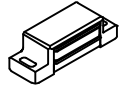
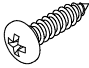

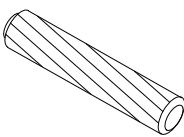
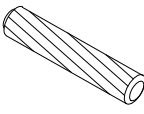
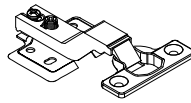

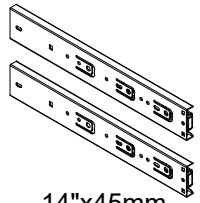

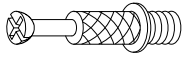
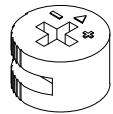






PRODUCT PARTS:

A	B	C	D	E	F
					
1PC	1PC	1PC	1PC	1PC	1PC
G	H	I	J	K	L
					
1PC	1PC	1PC	1PC	1PC	1PCS
M	N	O	P	Q	R
					
1PC	1PC	2PCS	3PCS	3PCS	3PCS
S	T	U	V	W	X
					
4PCS	1PC	1PCS	1PC	1PCS	1PCS

HARDWARE:

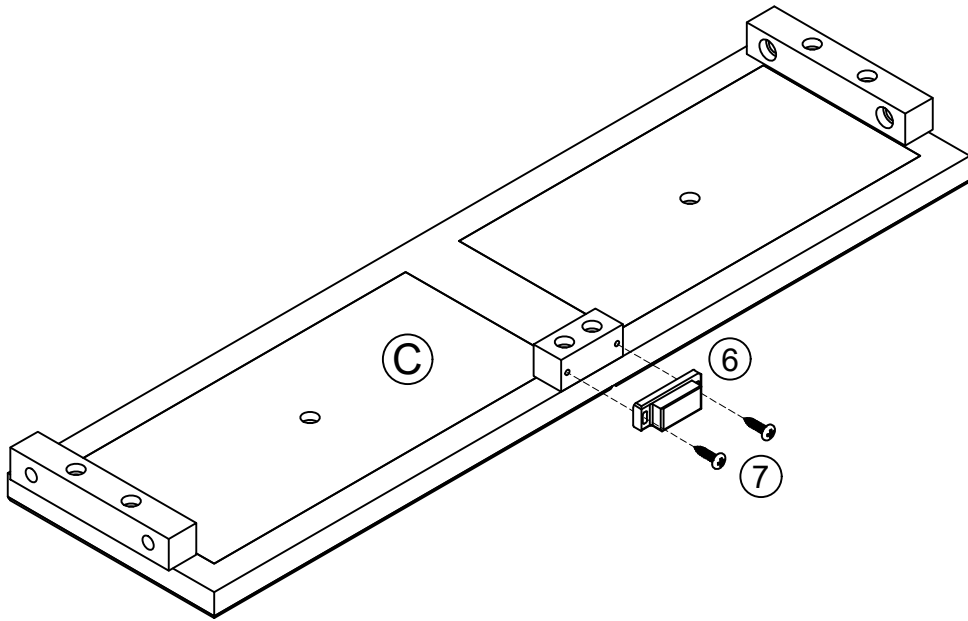
①	②	③	④	⑤	⑥
					
1/4"x25mm	Ø4x35mm	Ø4x25mm		Ø3x10mm	
22+2 PCS	8PCS	20+2 PCS	1 PC	5 PCS	1 PC
⑦	⑧	⑨	⑩	⑪	⑫
					
Ø3x15mm		Ø8x30mm	Ø6x30mm		Ø4x12mm
2PCS	1 PC	18+1 PCS	2 PCS	4 PCS	24+2 PCS
⑬	⑭	⑮	⑯	⑰	⑱
					
14"x45mm	Ø3x10mm	Ø6x33mm	Ø15x9mm		5/32"x15mm
4 SET	48+2 PCS	22+2 PCS	22+2 PCS	8 PCS	8 PCS

STEP 1

⑥ 1pc

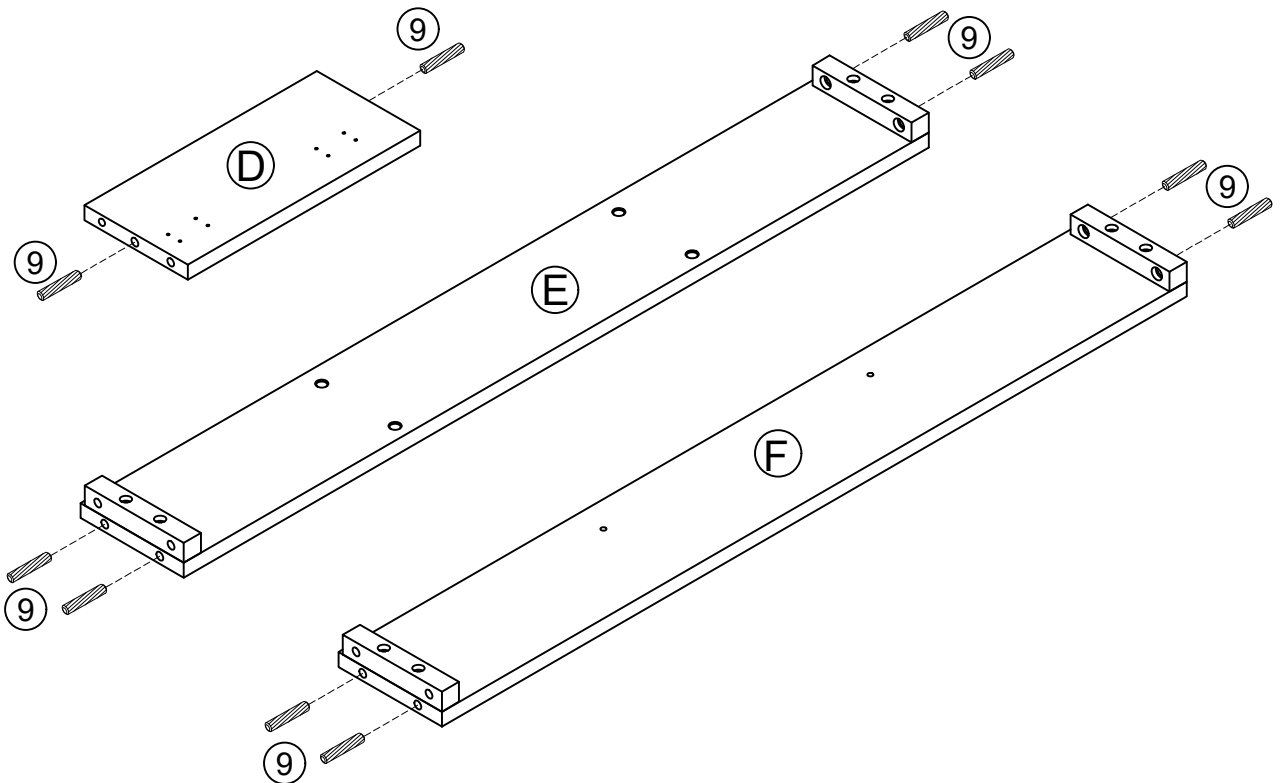
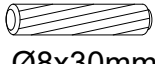


⑦ 2pcs
Ø3x15mm



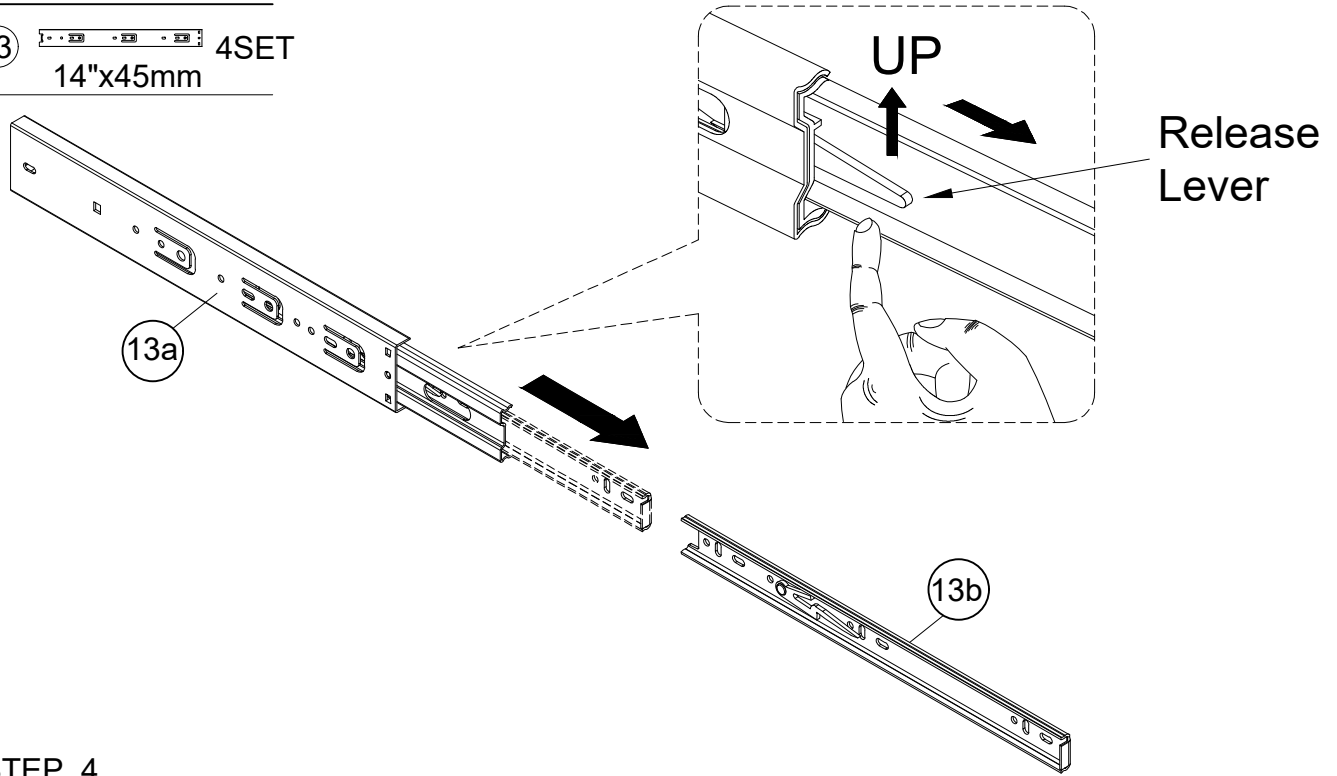
STEP 2

⑨ 10pcs
Ø8x30mm



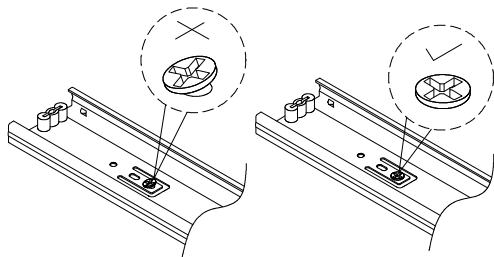
STEP 3

- ⑬ 14"x45mm 4SET

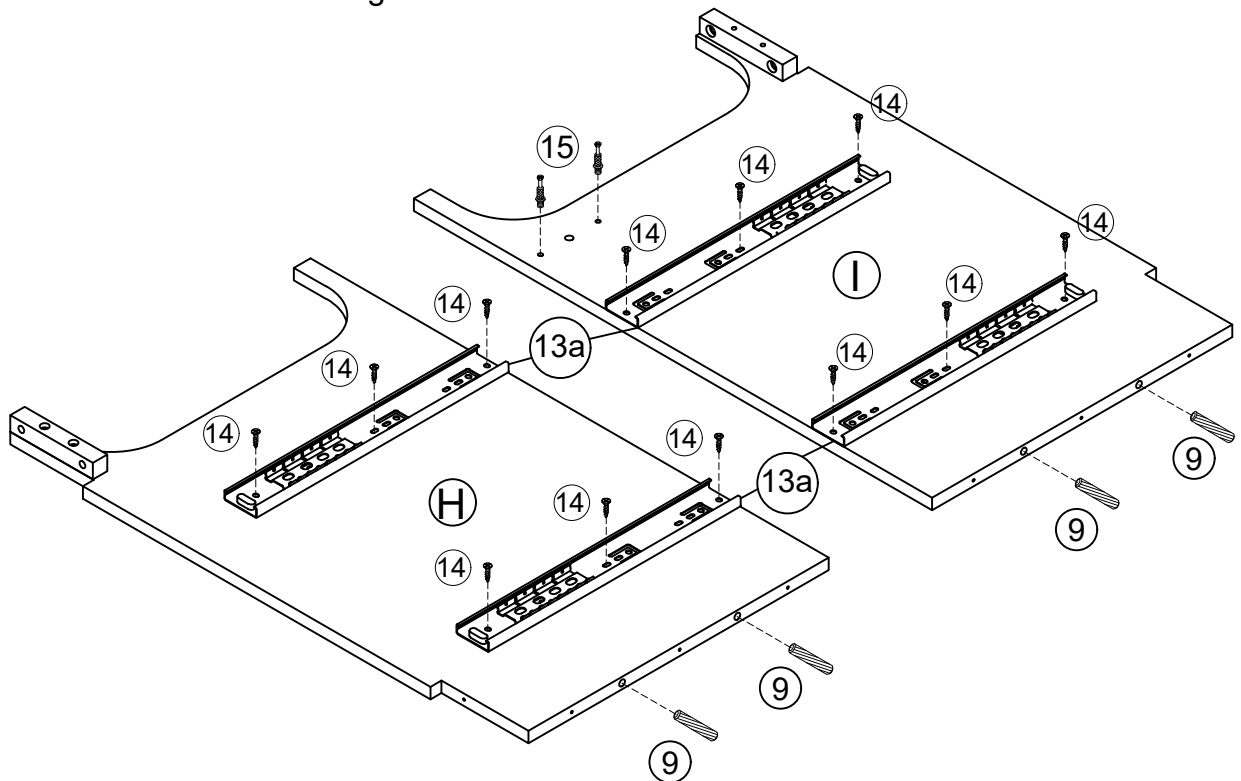
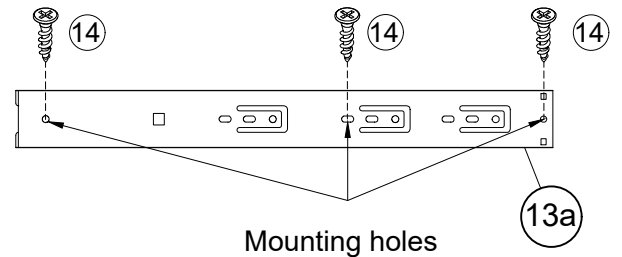


STEP 4

- ⑨ Ø8x30mm 4pcs ⑬a 14"x45mm ⑭ Ø3x10mm 12pcs ⑮ Ø6x33mm 2pcs



Please make sure that the screw is VERTICAL so as not to affect the sliding of the drawer.



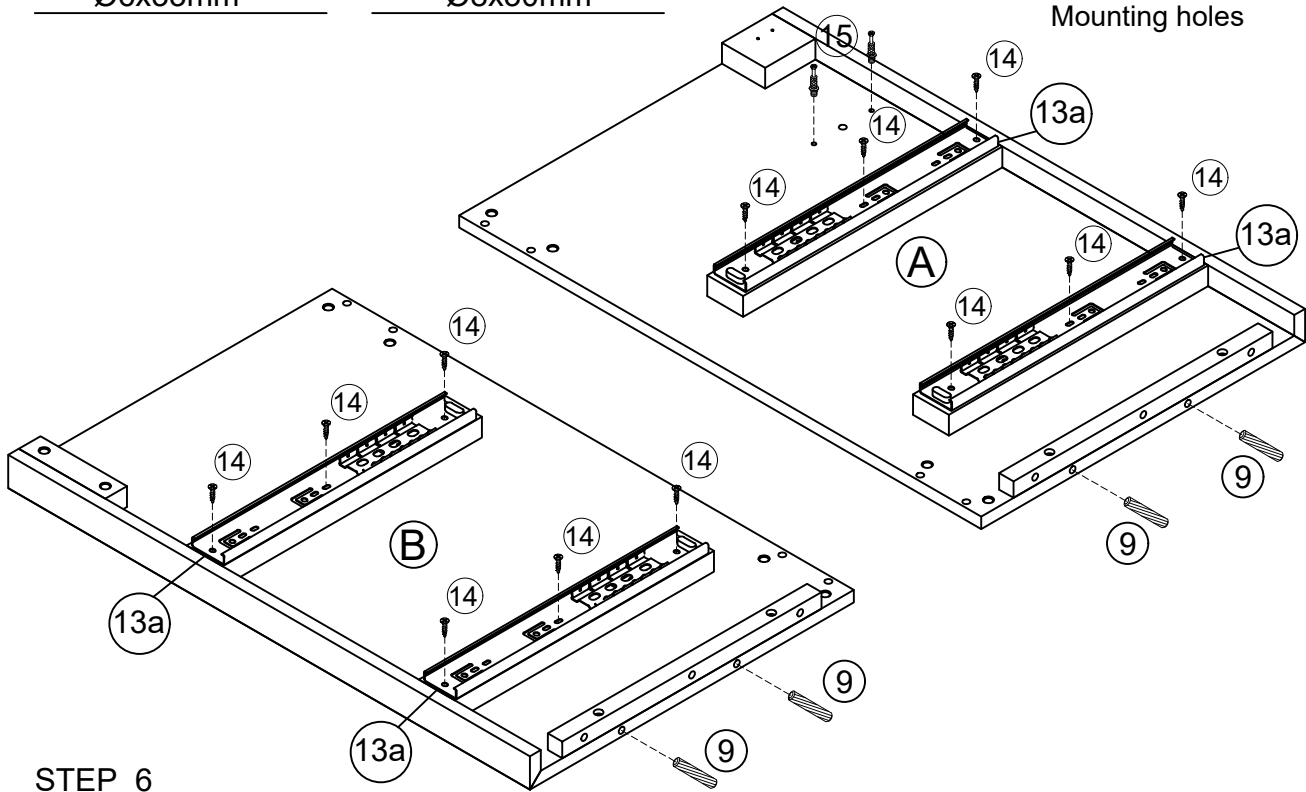
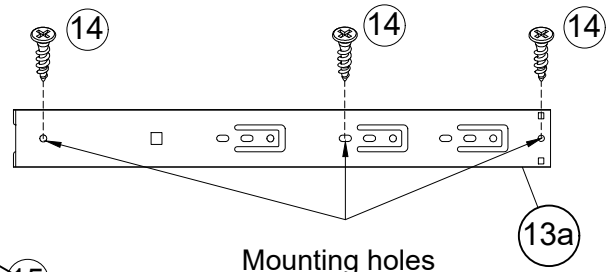
STEP 5

13a 14"x45mm

14 12pcs
Ø3x10mm

15 2pcs
Ø6x33mm

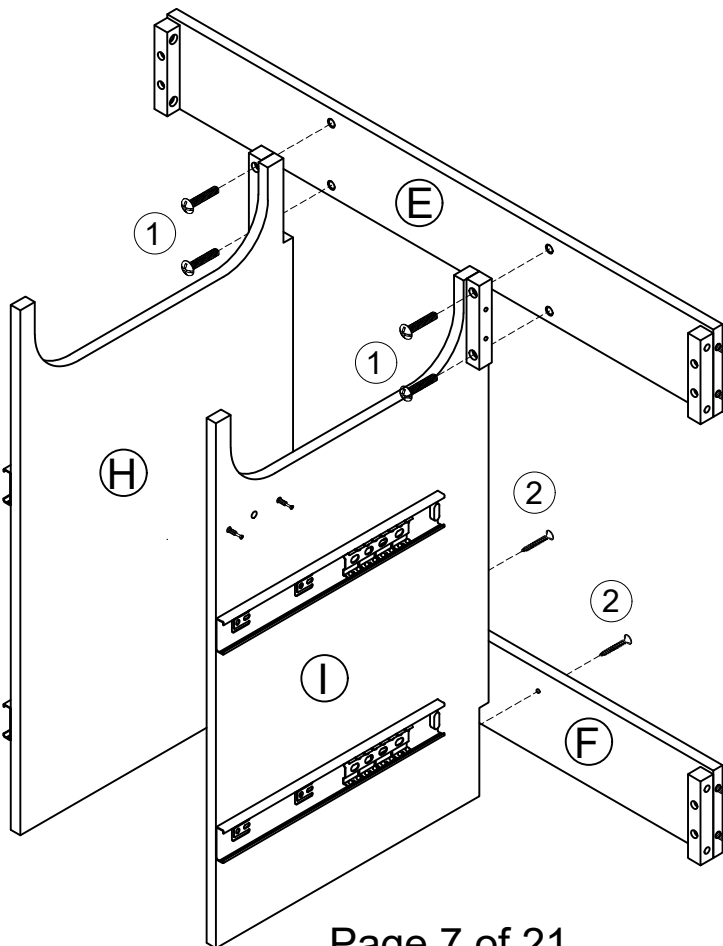
9 4pcs
Ø8x30mm



STEP 6

1 4pcs
1/4"x25mm

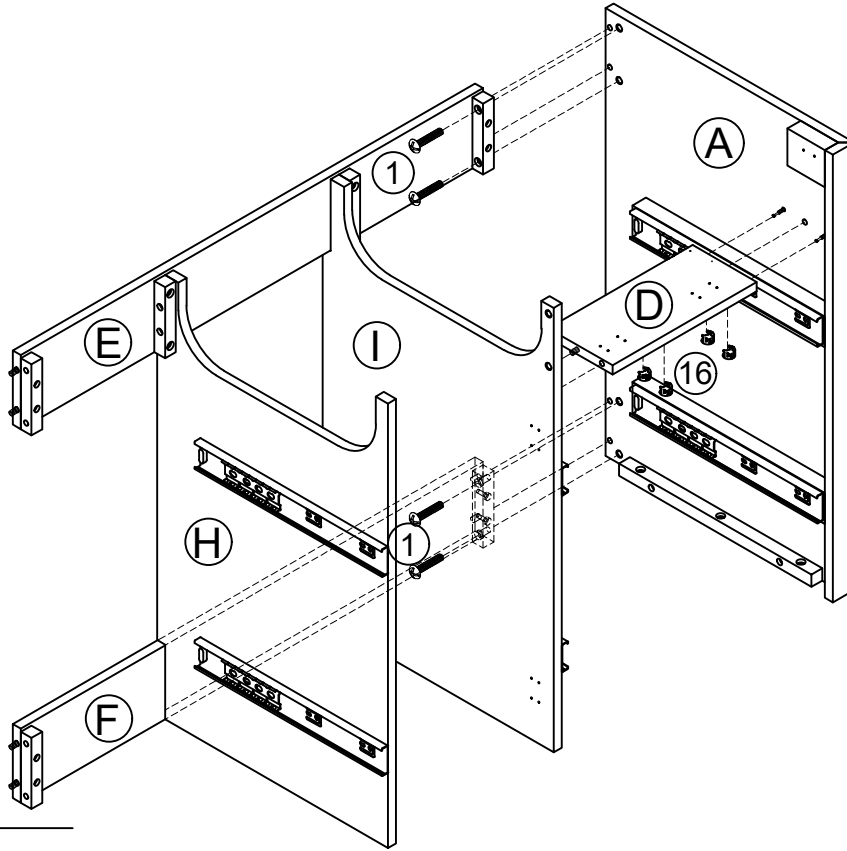
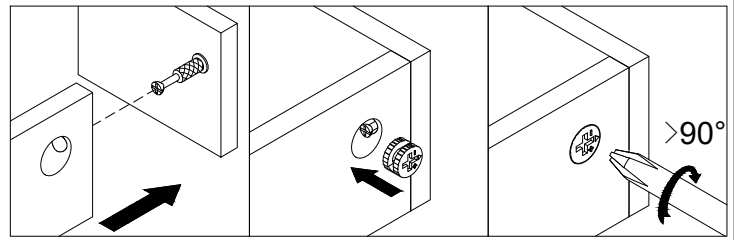
2 2pcs
Ø4x35mm



STEP 7

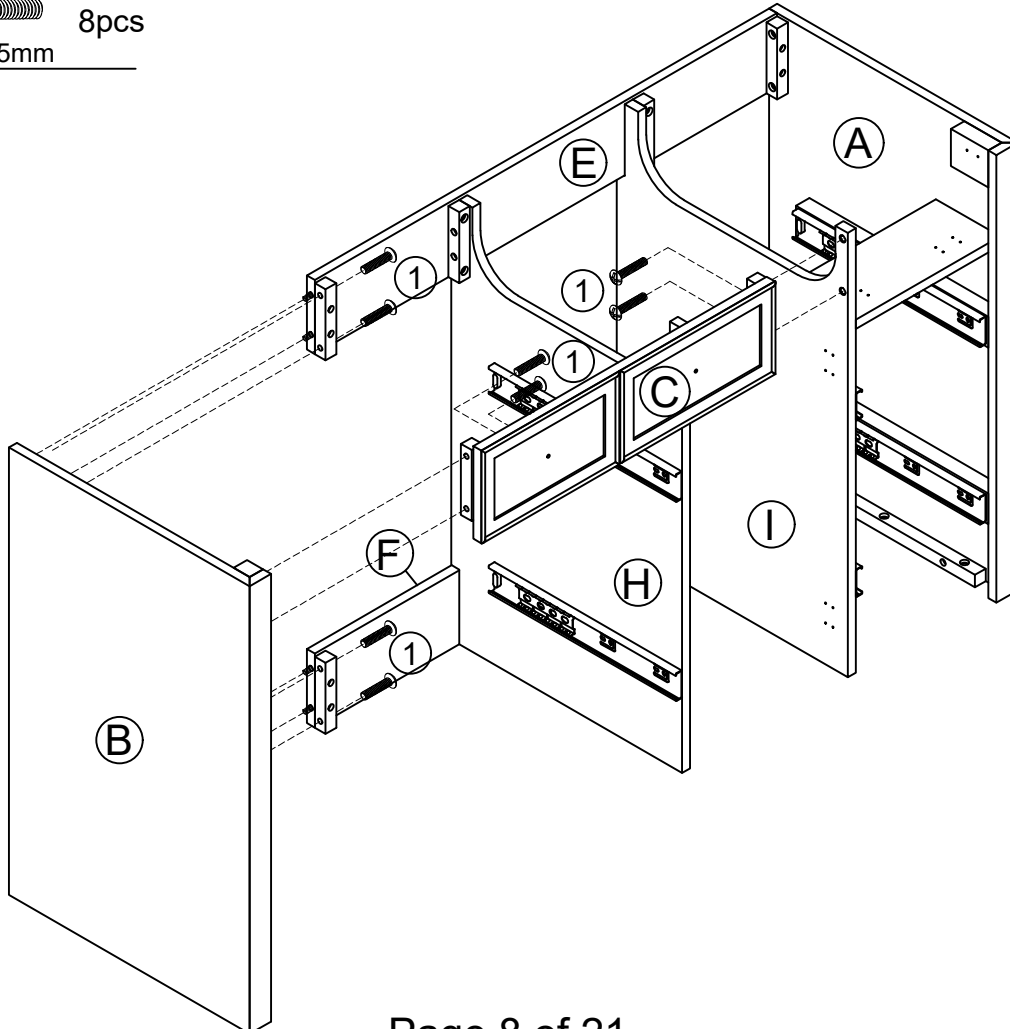
① 1/4"x25mm 4pcs

⑱ Ø15x9mm 4pcs





STEP 8

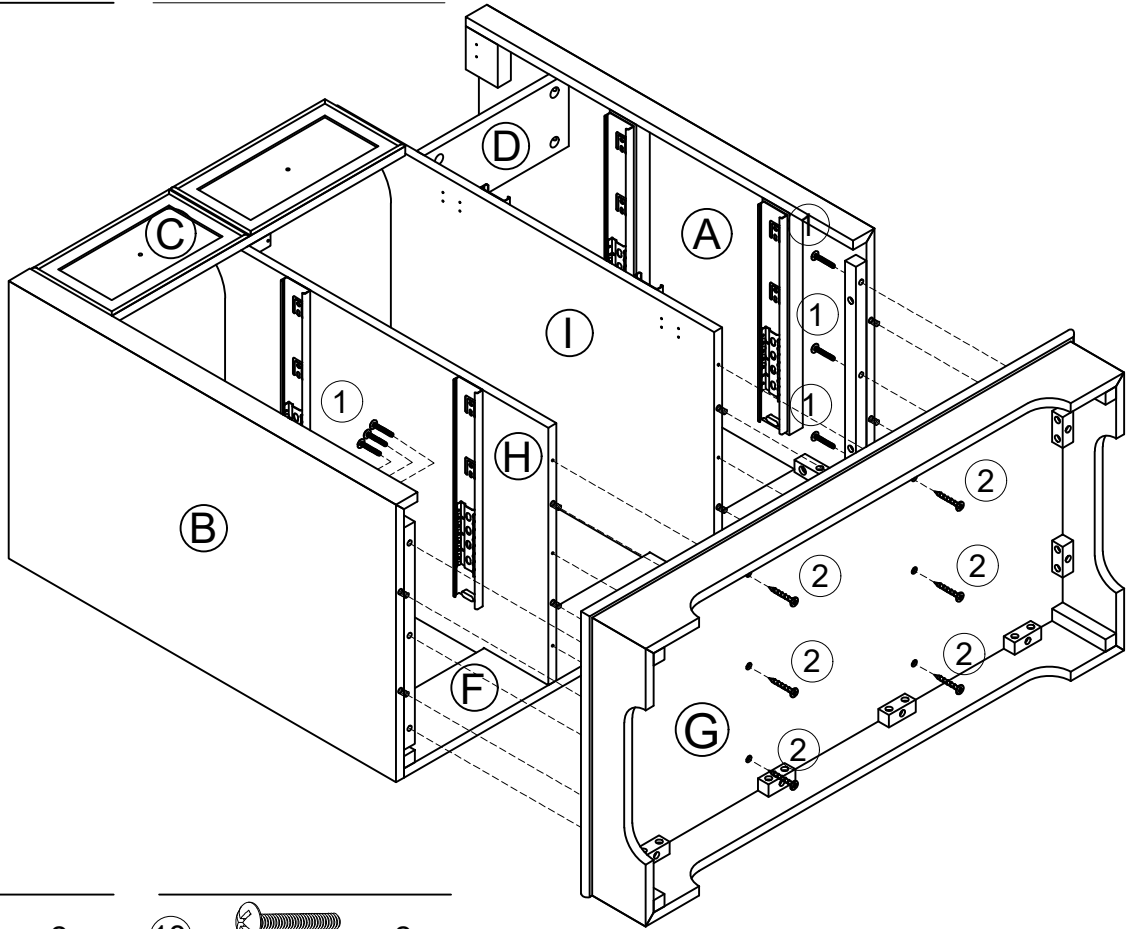
① 1/4"x25mm 8pcs



STEP 9


①  6pcs
1/4"x25mm

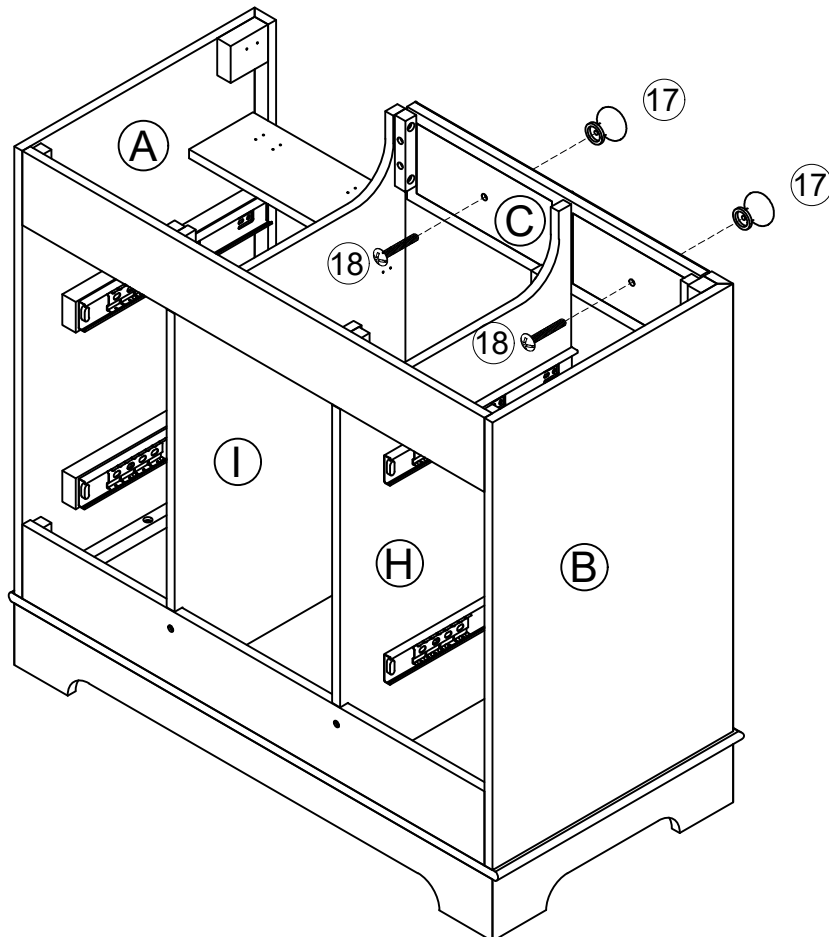
②  6pcs
Ø4x35mm




STEP 10

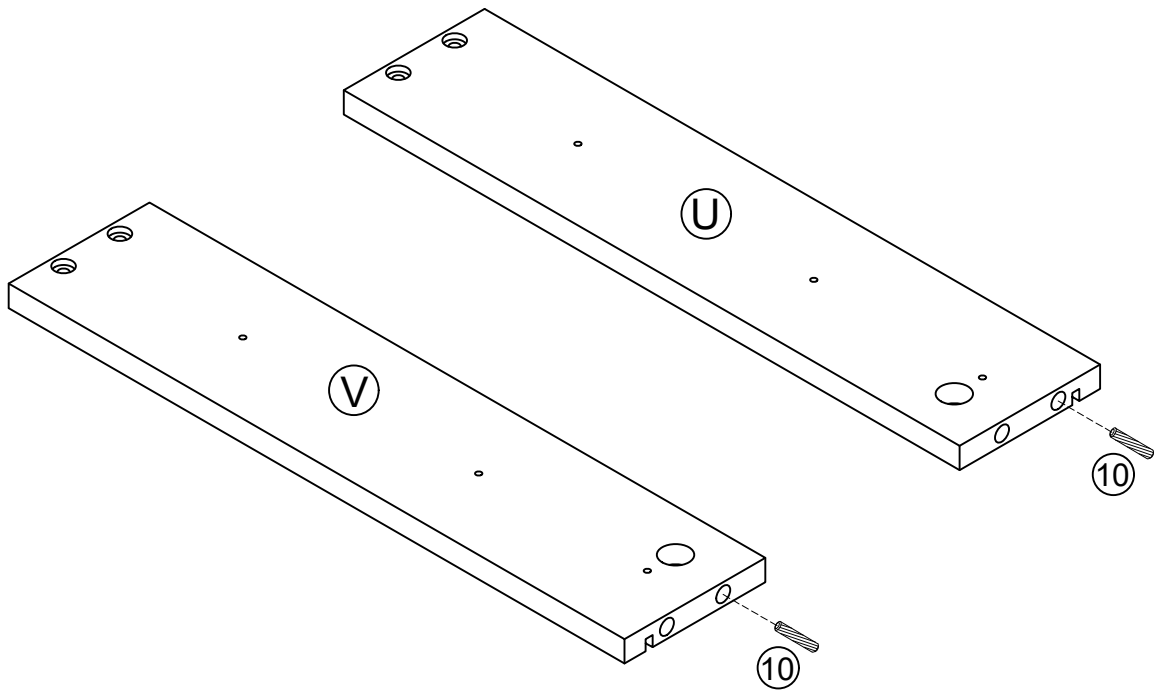
①⑦  2pcs

①⑧  2pc
5/32"x15mm

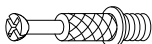


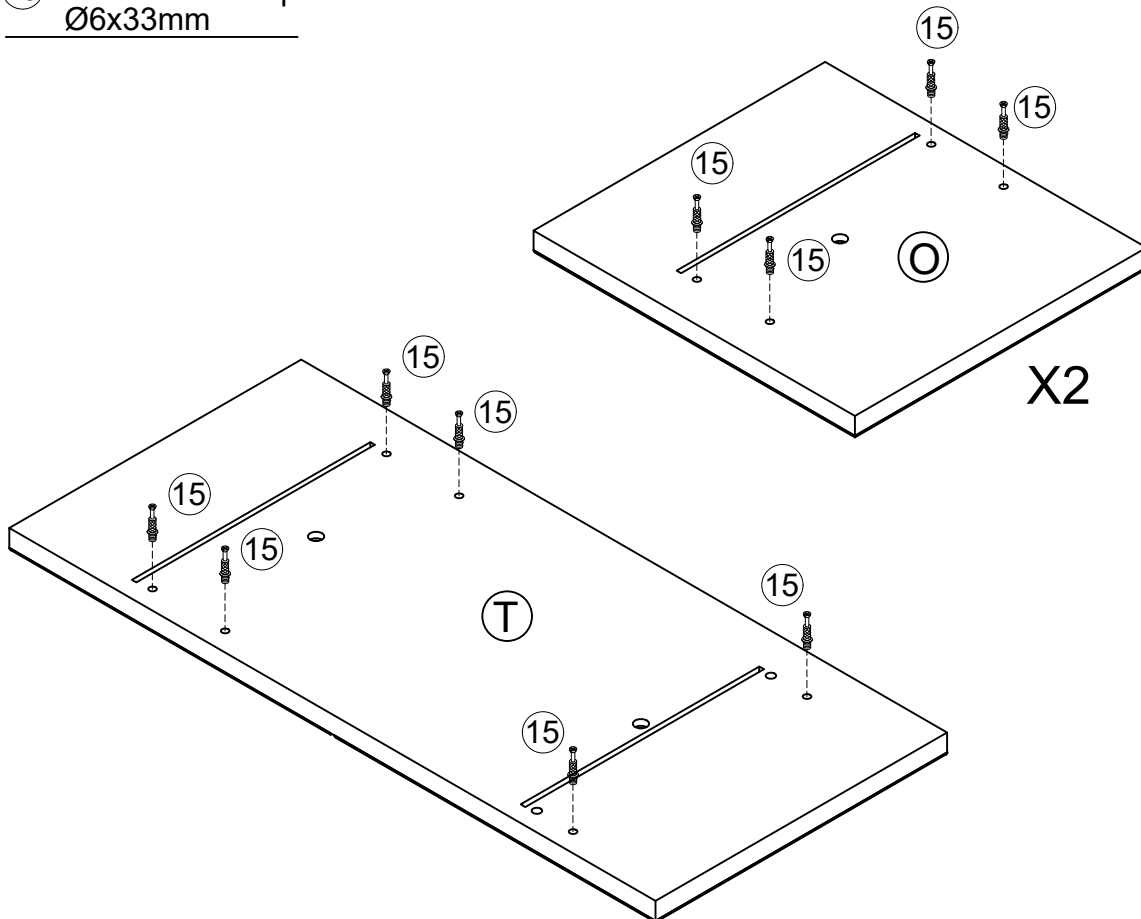
STEP 11

- ⑩  2pcs
Ø6x30mm




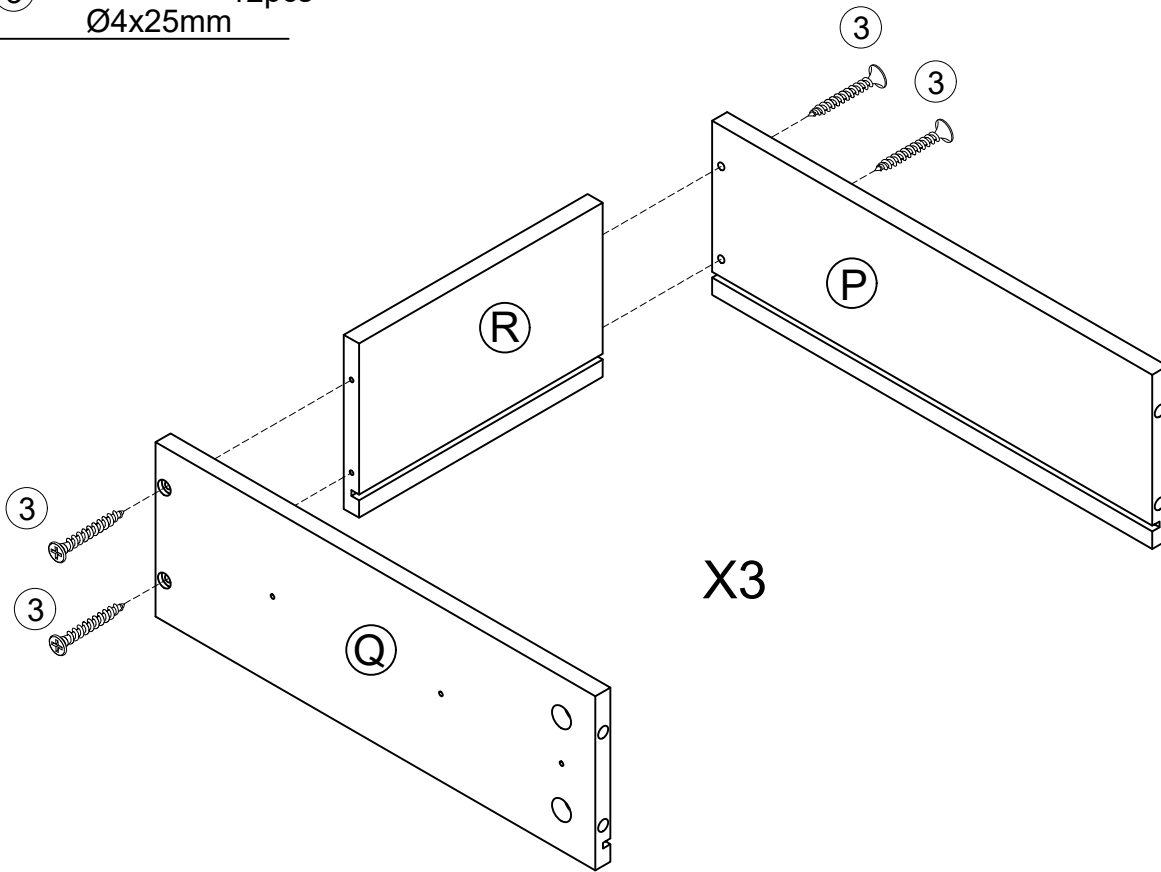
STEP 12

- ⑮  14pcs
Ø6x33mm

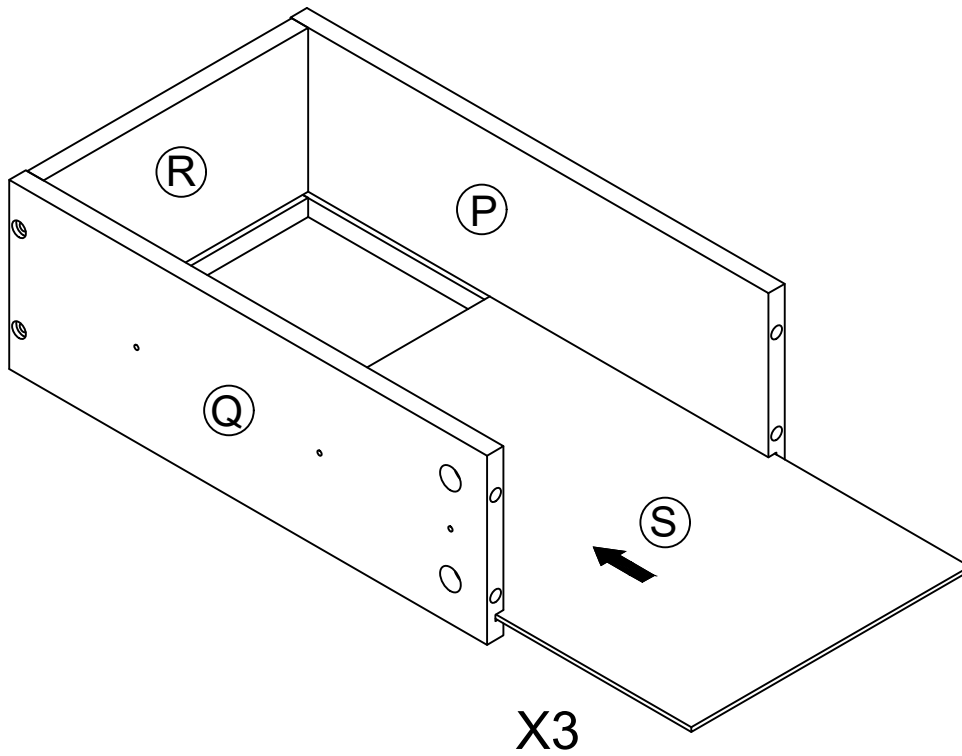


STEP 13


③  12pcs
Ø4x25mm

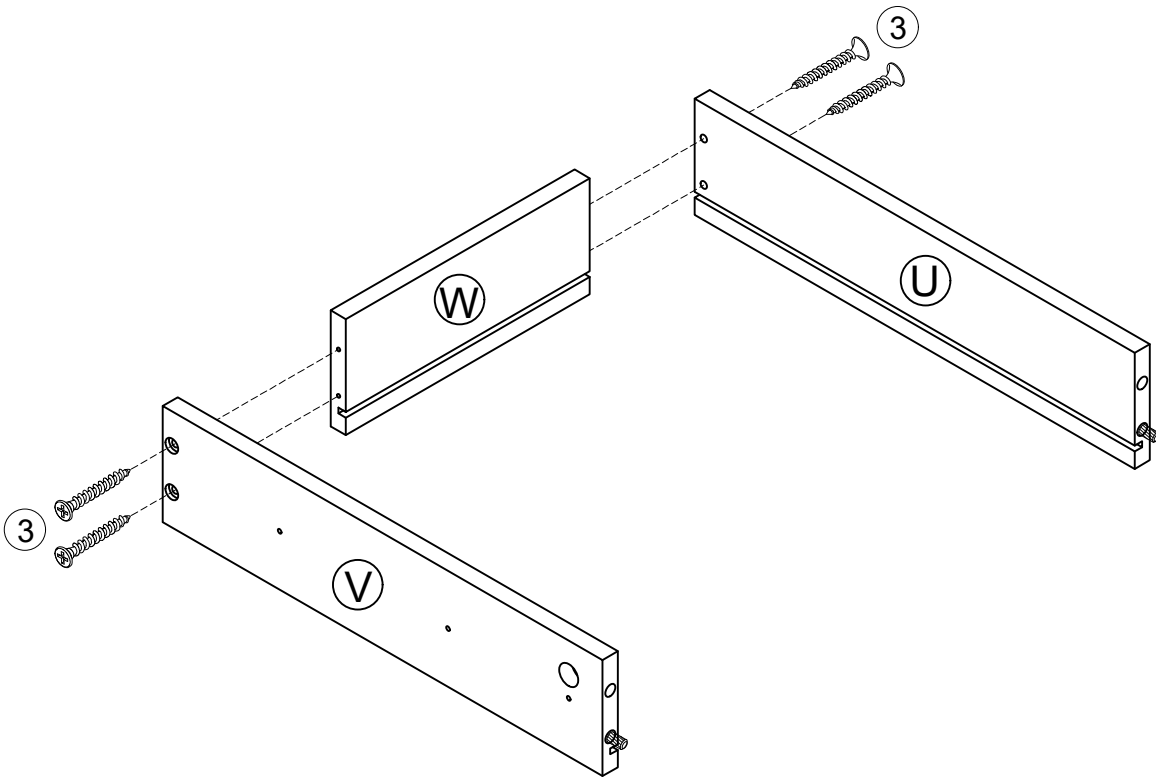


STEP 14

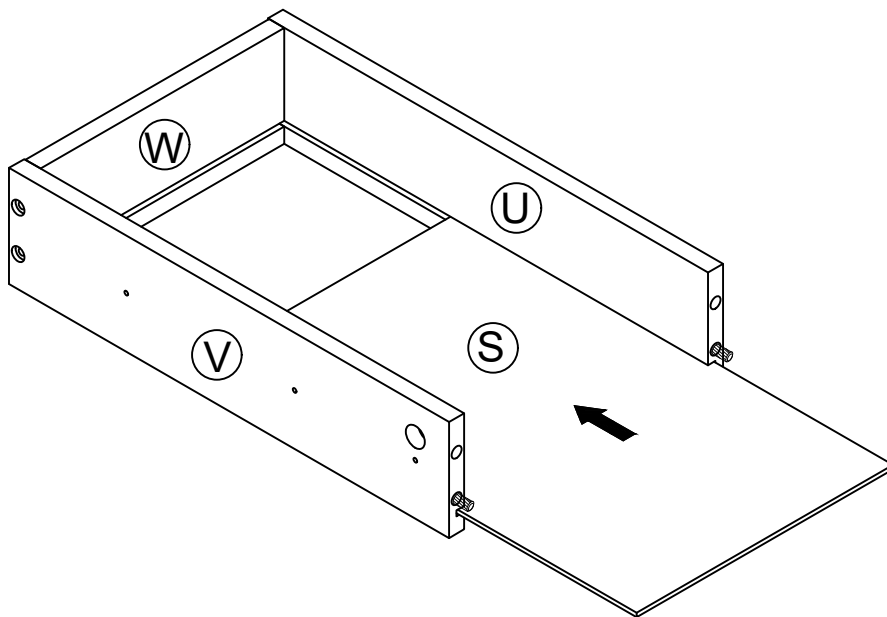


STEP 15

③  4pcs
Ø4x25mm





STEP 16

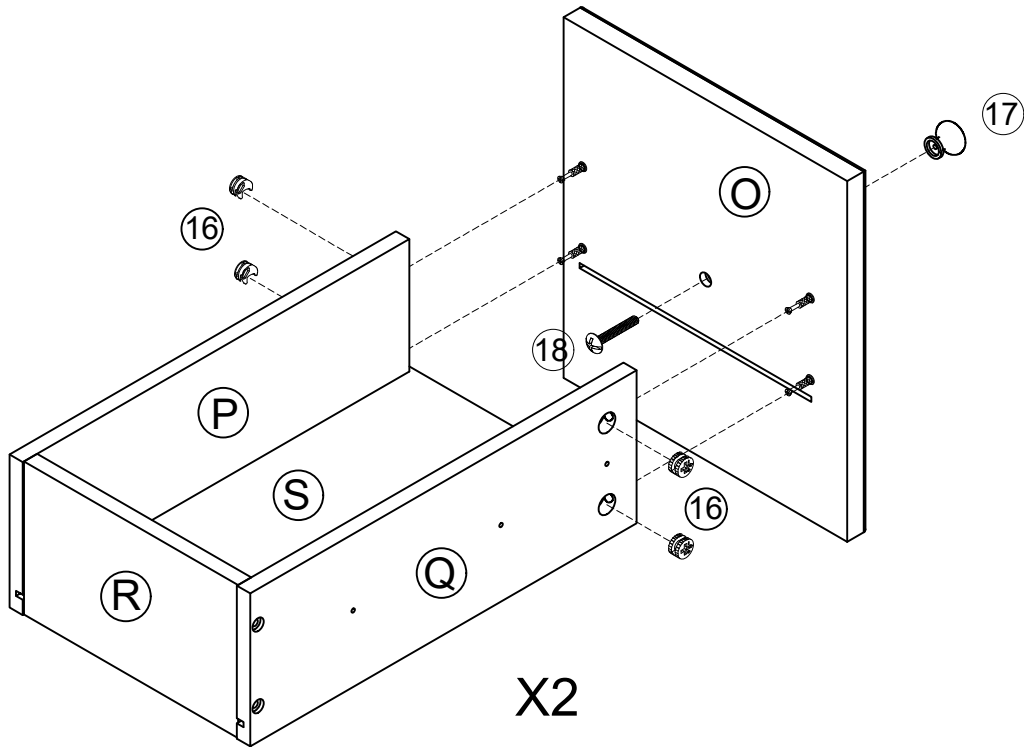


STEP 17


16  8pcs
Ø15x9mm

17  2pcs

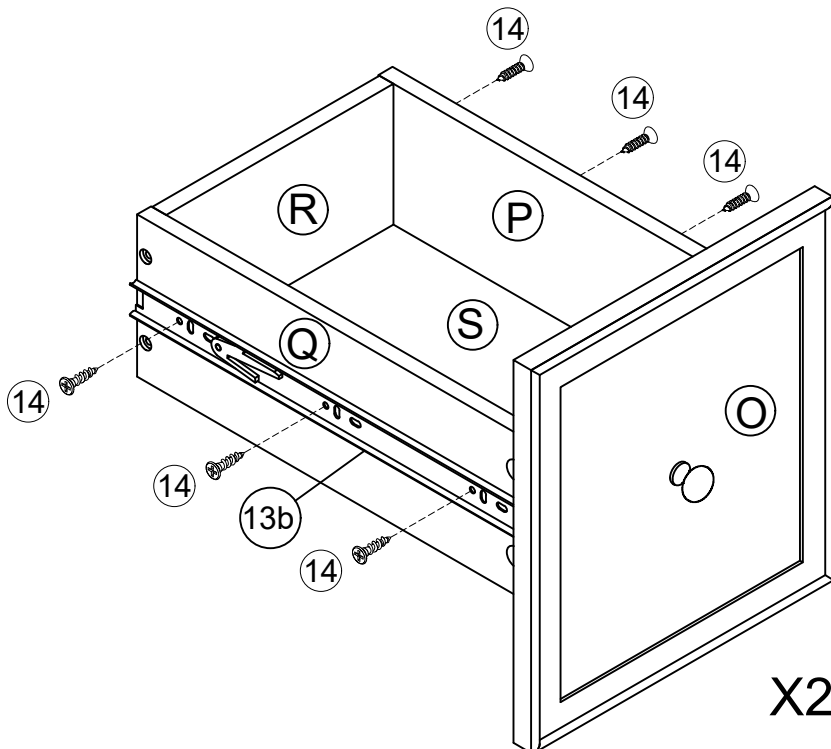
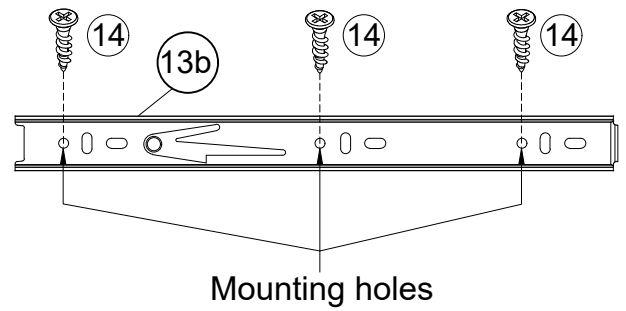
18  2pcs
5/32"x15mm






STEP 18

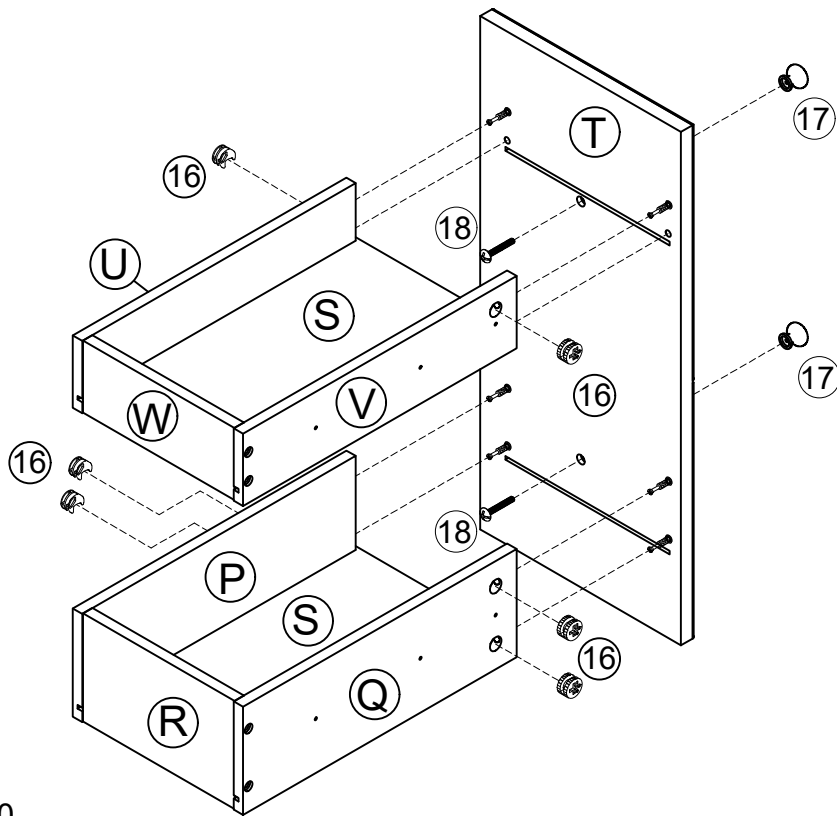
13b  14"x45mm

14  12pcs
Ø3x10mm

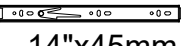
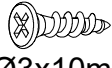


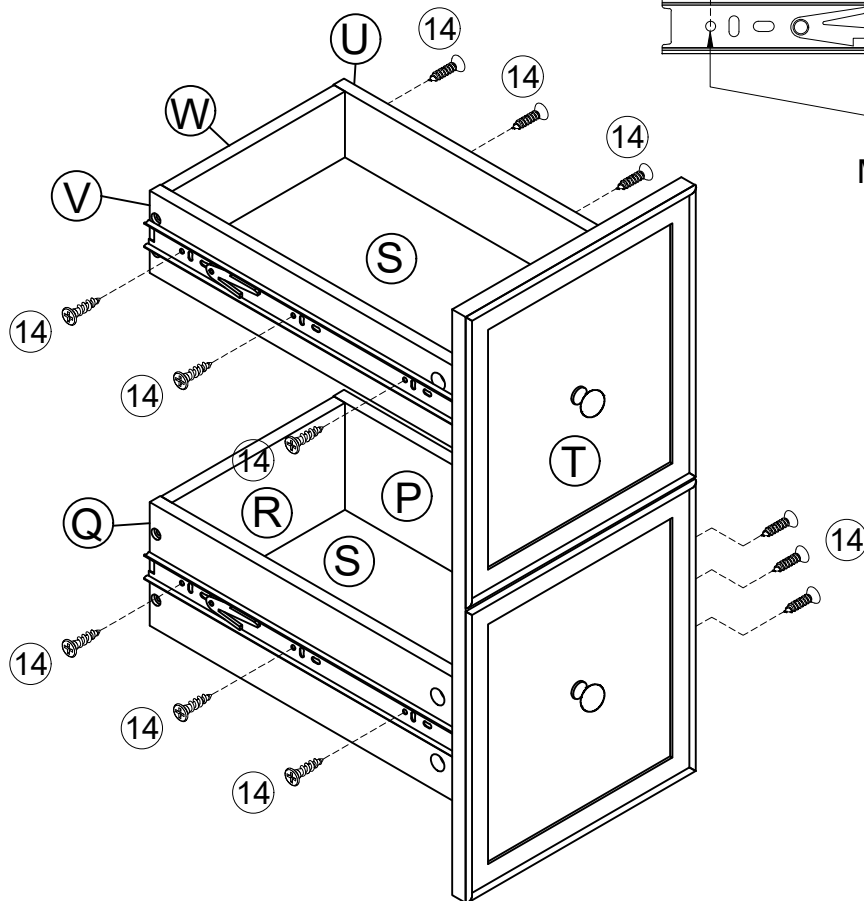
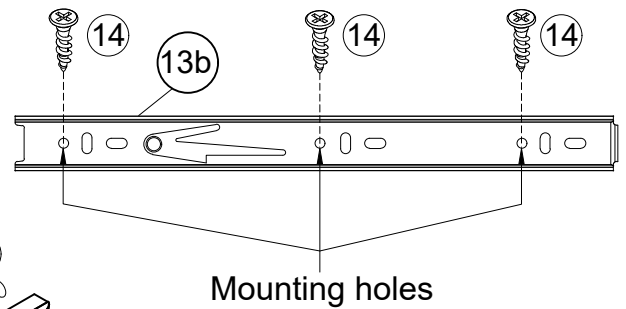
STEP 19

- ①⑥  6pcs $\text{Ø}15 \times 9 \text{mm}$ ①⑦  2pcs ①⑧  2pcs $5/32" \times 15 \text{mm}$

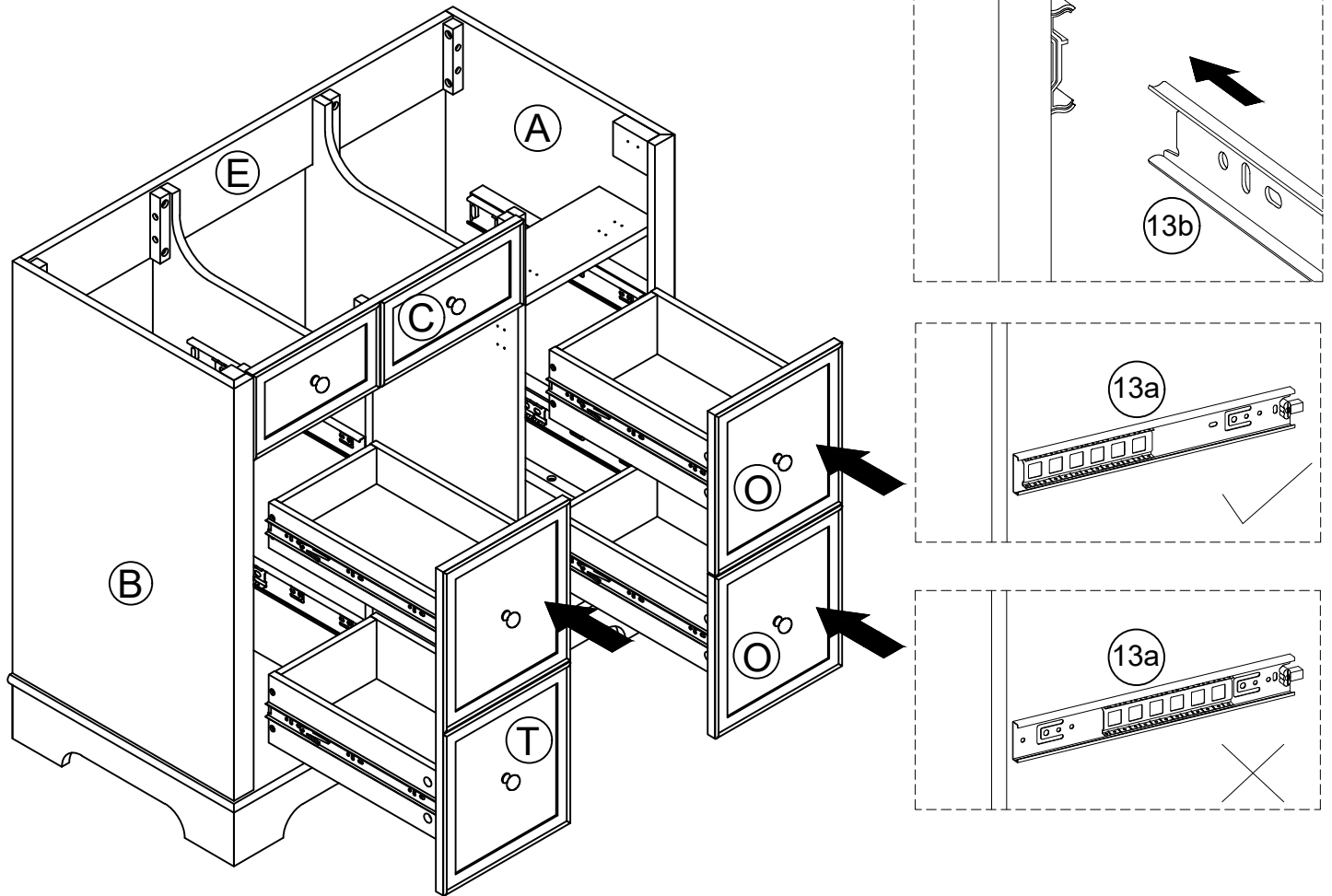


STEP 20


- ①③b  14"x45mm ①④  12pcs $\text{Ø}3 \times 10 \text{mm}$

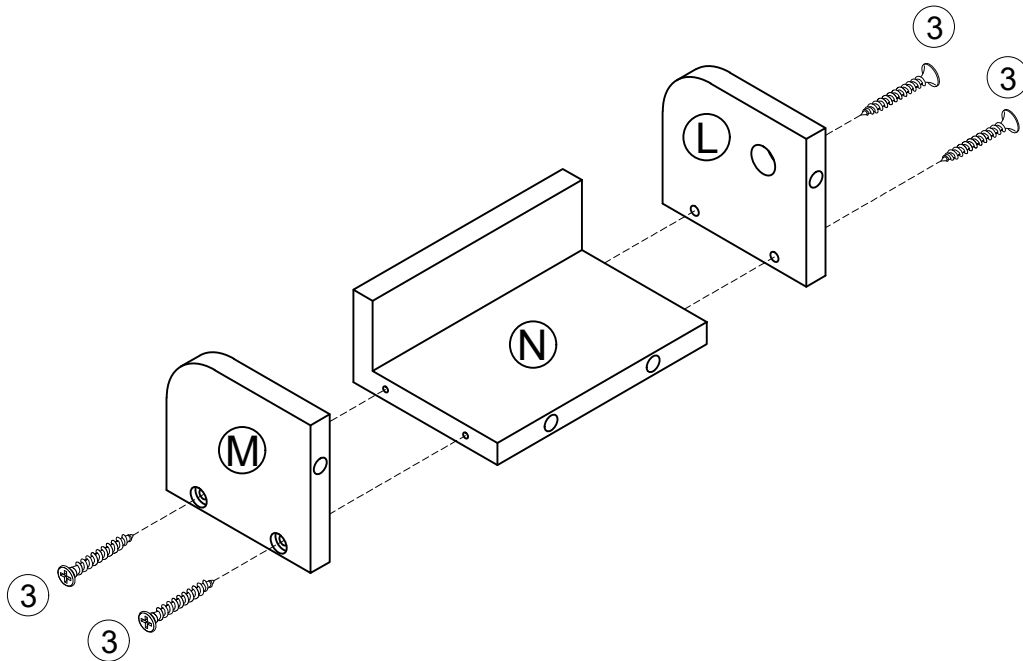


STEP 21






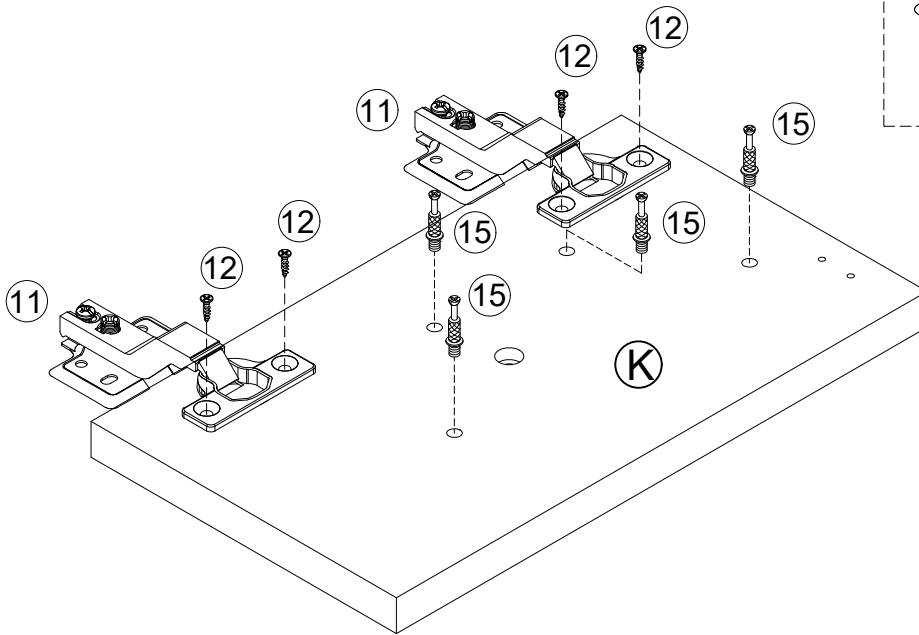
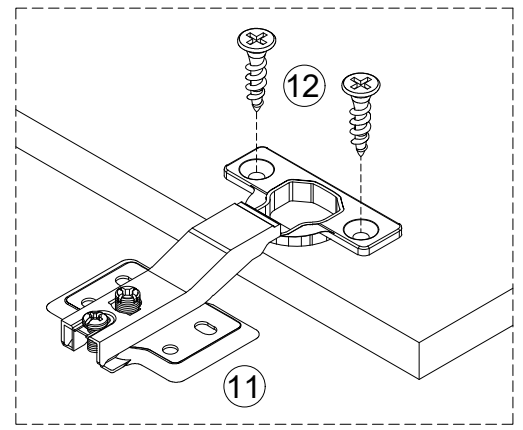
STEP 22

- ③  4pcs
Ø4x25mm



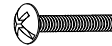


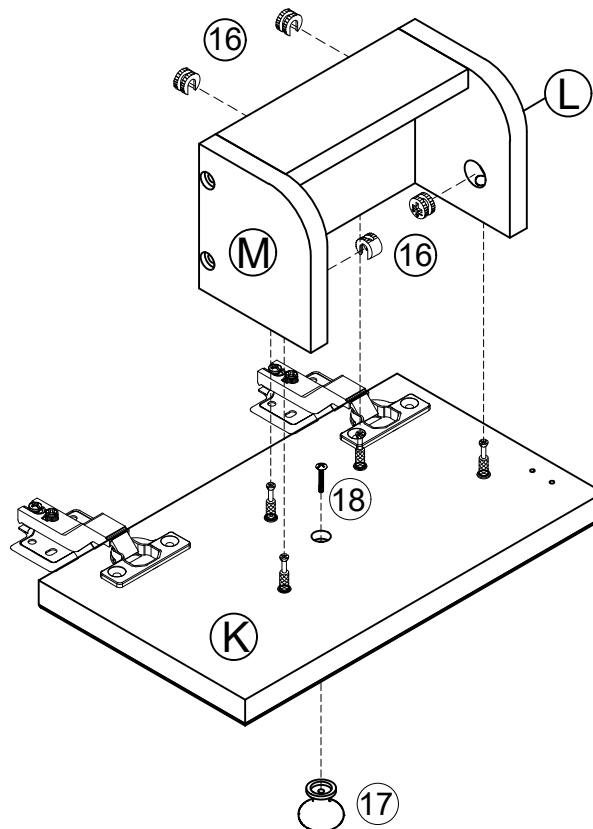
STEP 23

- | | | | | | |
|----|---|------|----|---|------|
| ①① |  | 2pcs | ①② |  | 4pcs |
| | | | | Ø4x12mm | |
| ①⑤ |  | 4pcs | | | |
| | Ø6x33mm | | | | |



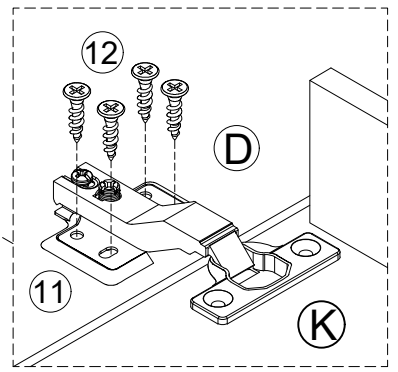
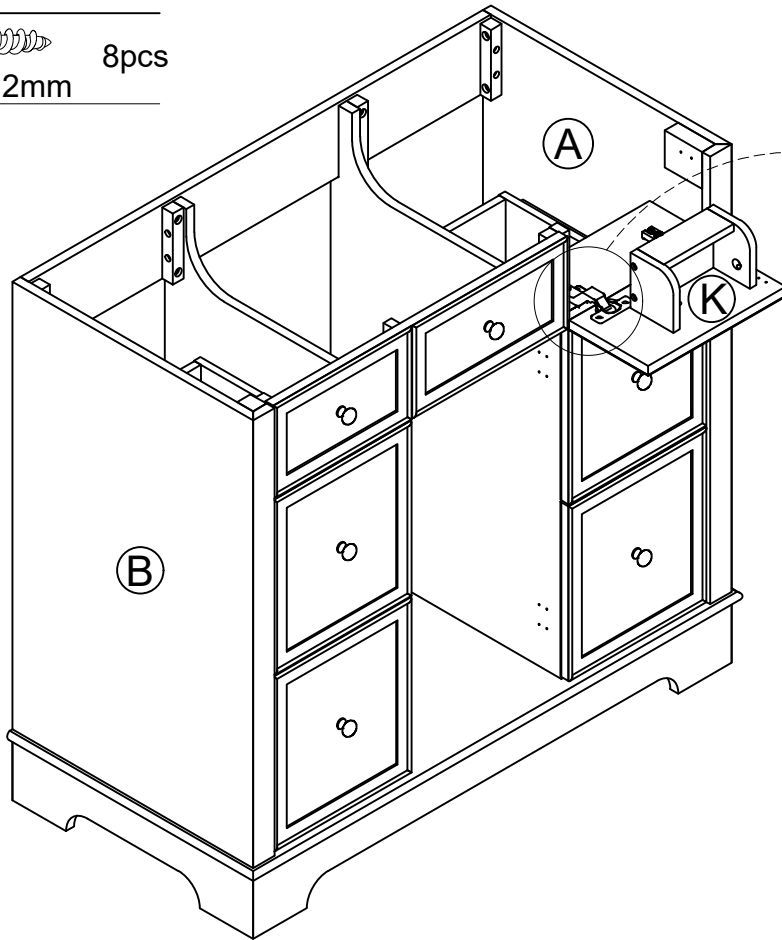
STEP 24

- | | | | | | | | | |
|----|---|------|----|---|-----|----|---|-----|
| ①⑥ |  | 4pcs | ①⑦ |  | 1pc | ①⑧ |  | 1pc |
| | Ø15x9mm | | | | | | 5/32"x15mm | |

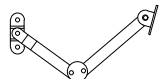
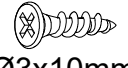


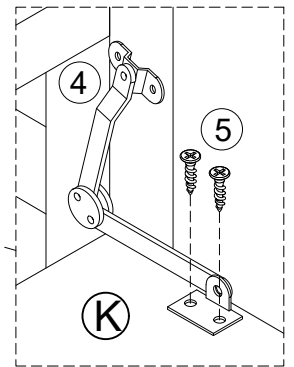
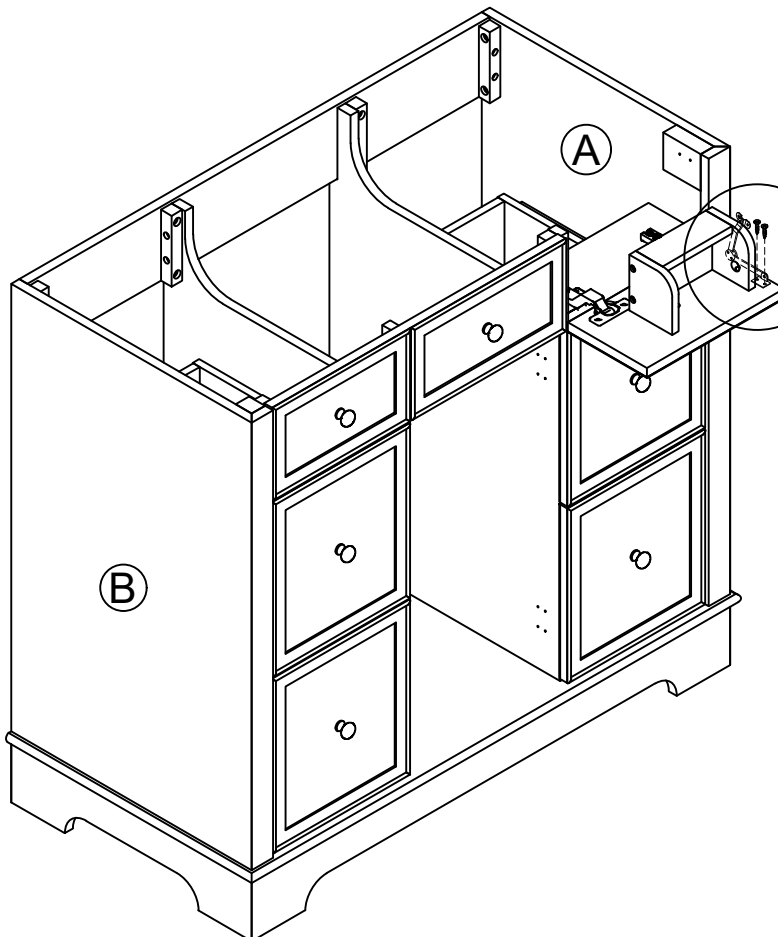
STEP 25

12  8pcs
Ø4x12mm



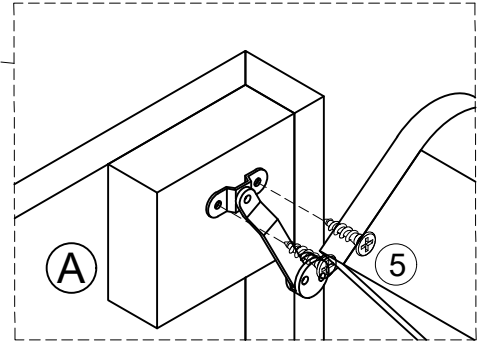
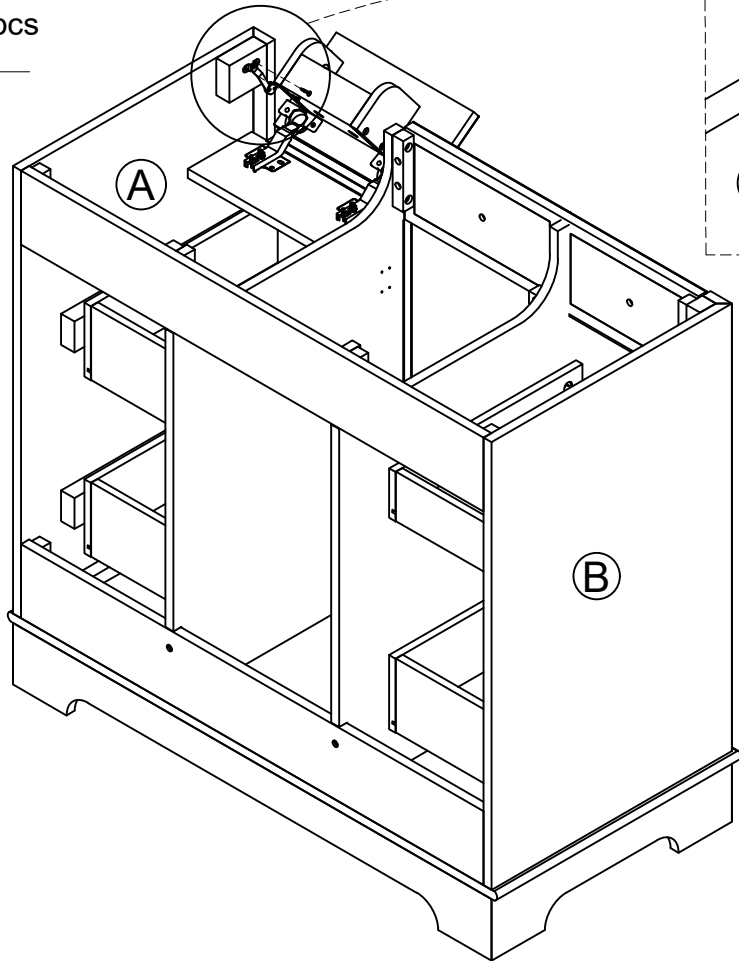
STEP 26

4  1pc 5  2pcs
Ø3x10mm

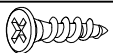



STEP 27


- ⑤  2pcs
Ø3x10mm




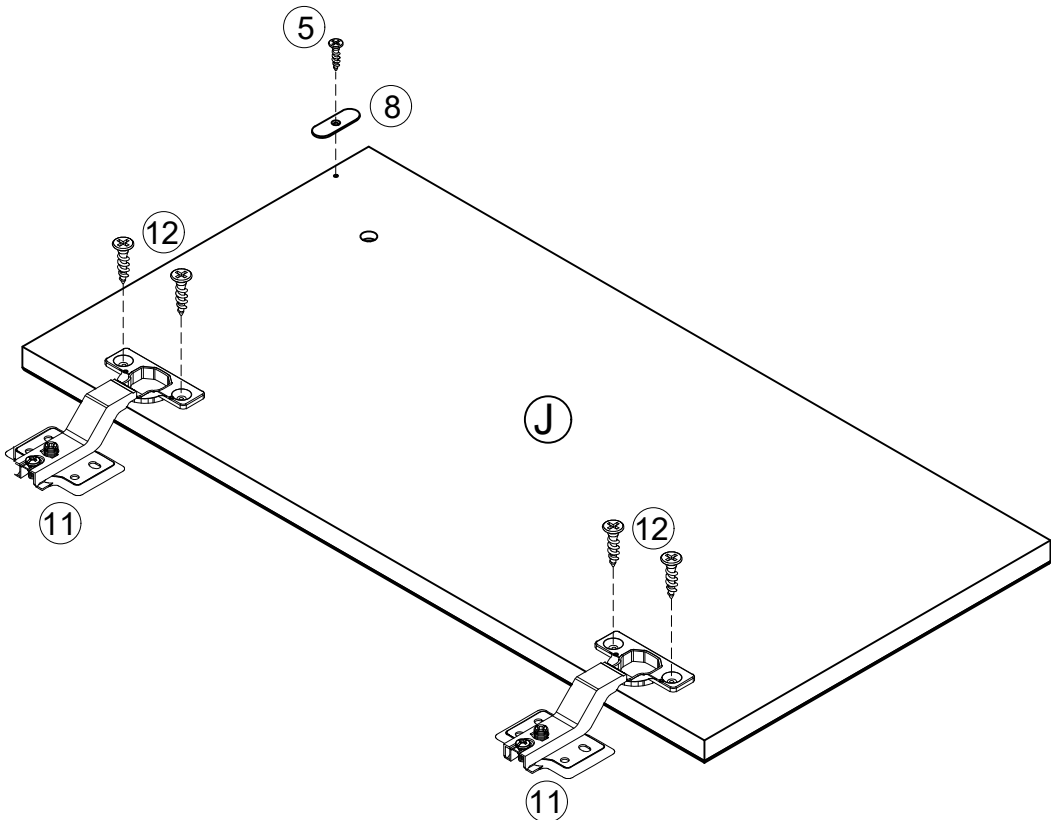
STEP 28

- ⑤  1pc
Ø3x10mm


- ⑧  1pc

- ⑪  2pcs

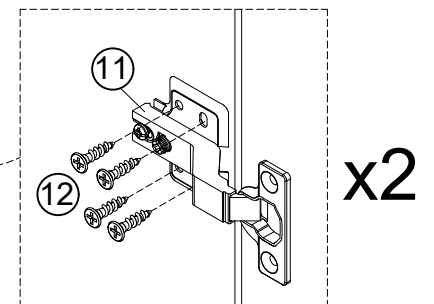
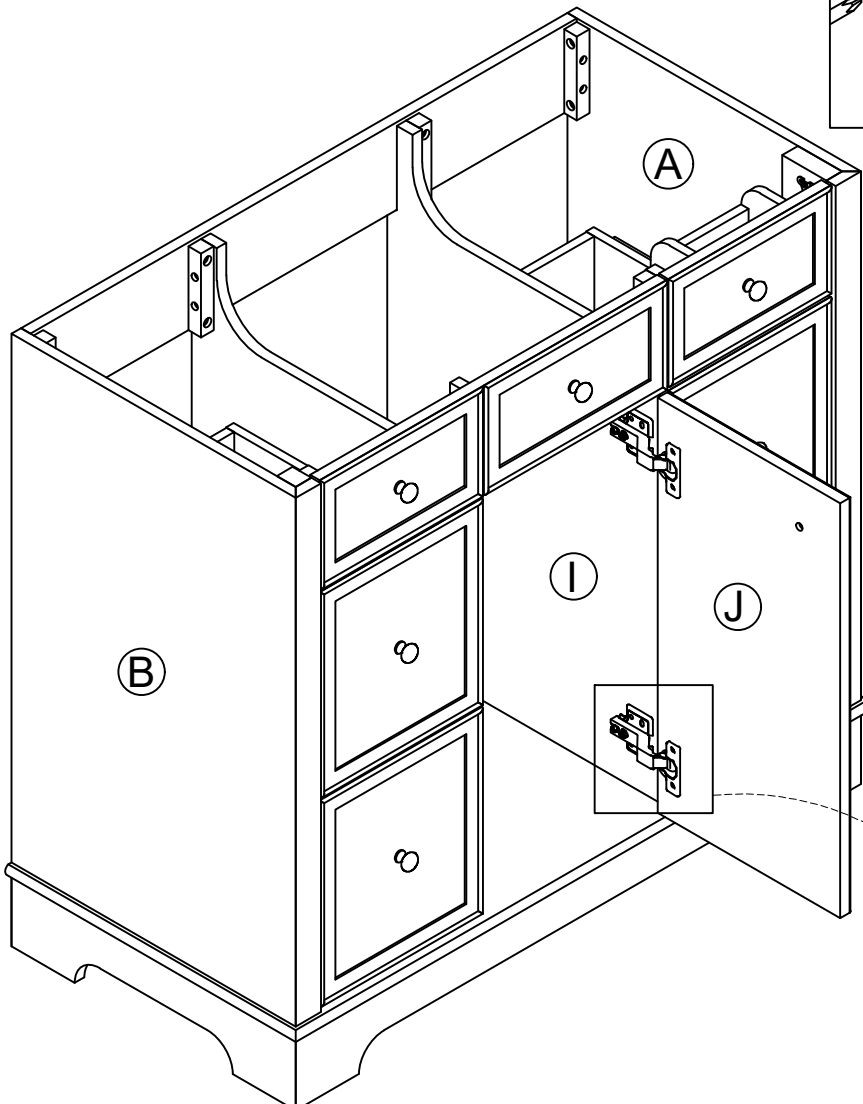
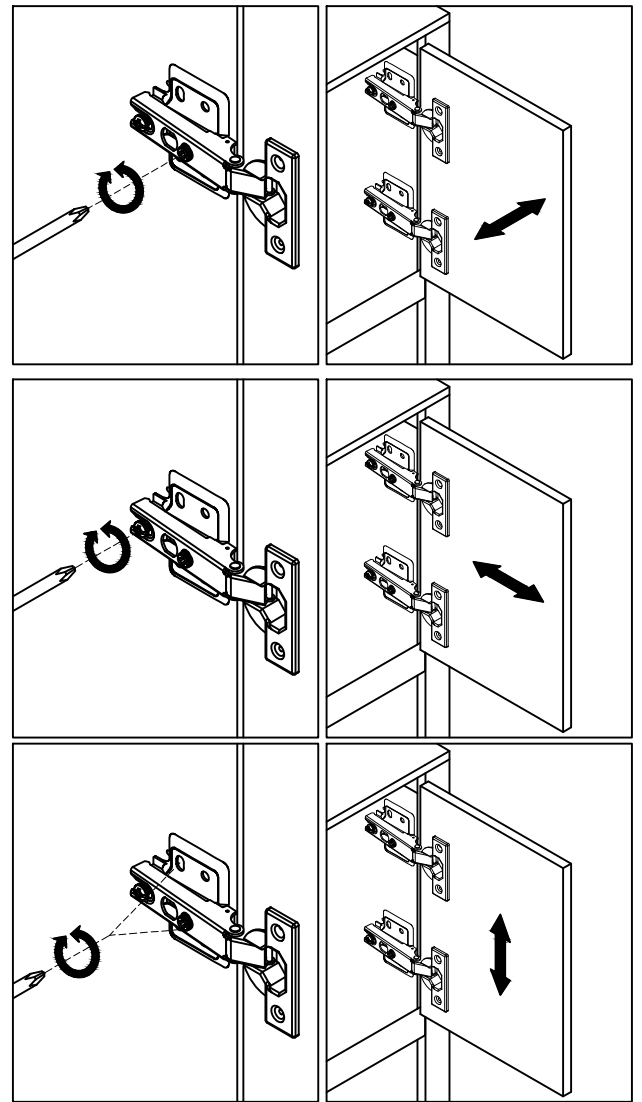
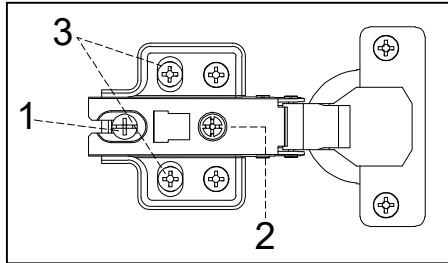
- ⑫  4pcs
Ø4x12mm



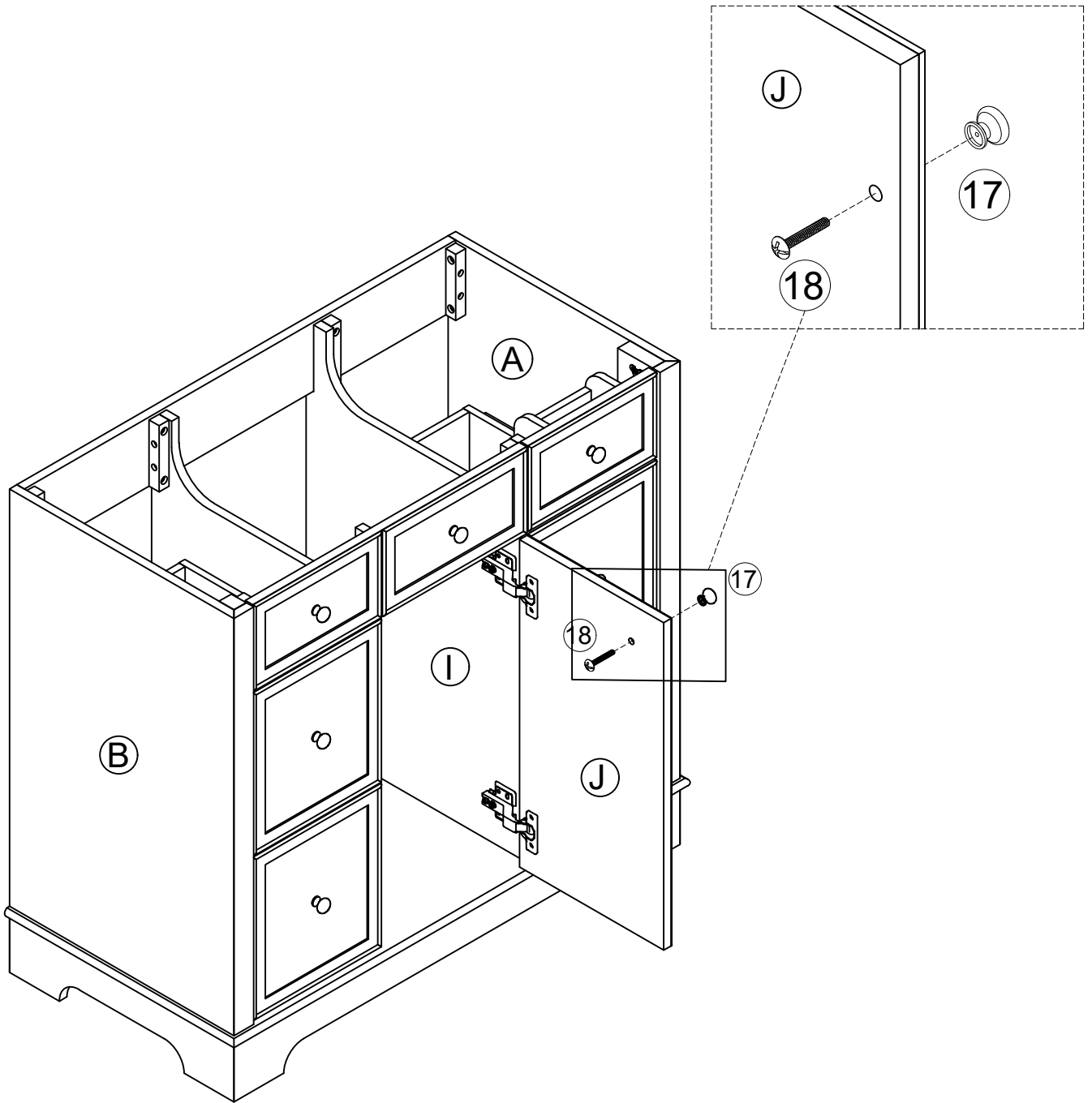
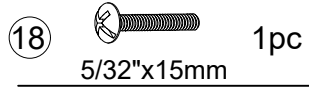
STEP 29

⑫  8pcs
Ø4x12mm

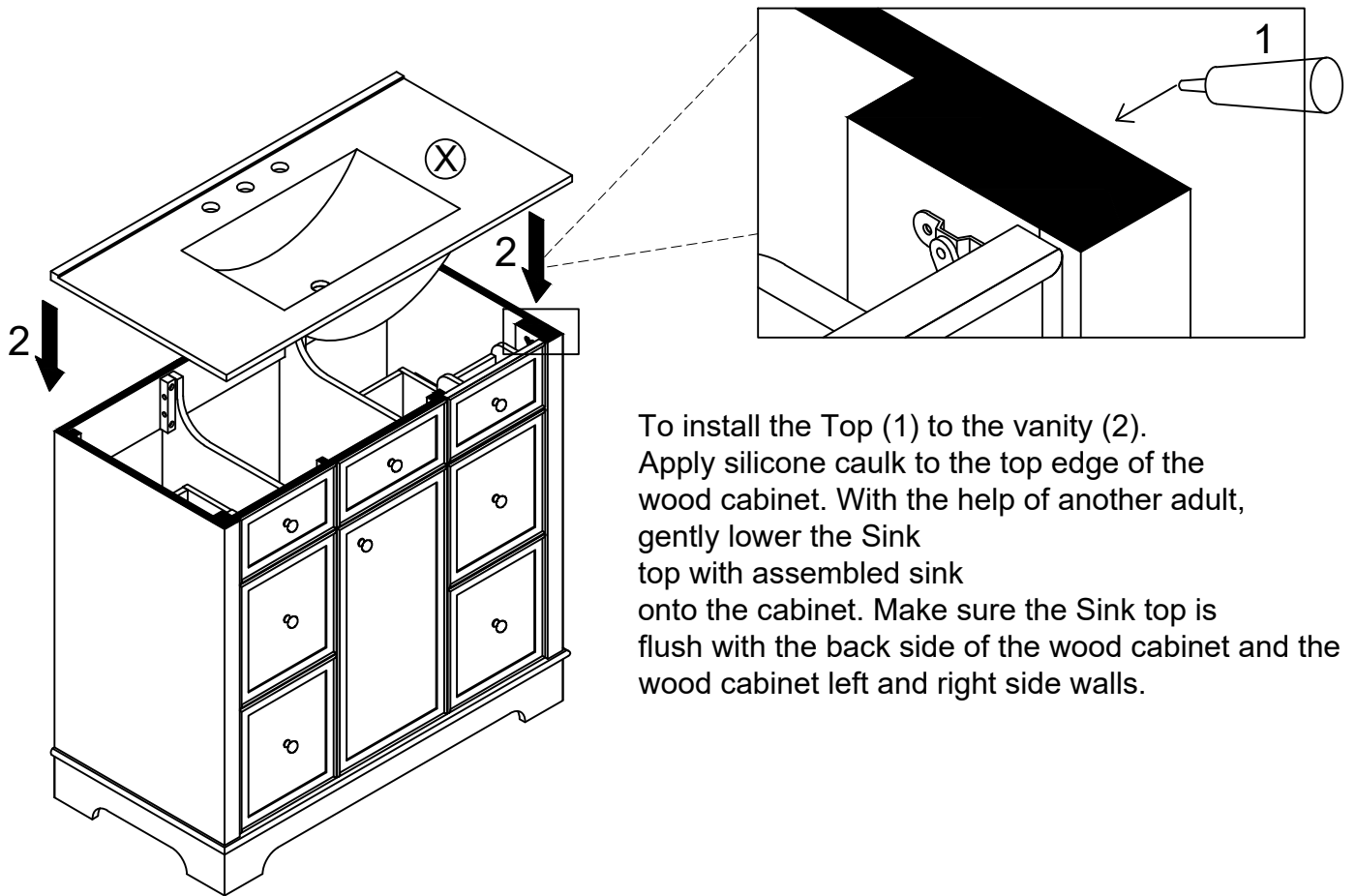
Three-way adjustable hinge for perfectly aligned doors
1. TO ADJUST DOOR FORWARD OR BACKWARD.
2. TO ADJUST DOOR TO RIGHT OR TO LEFT.
3. TO ADJUST DOOR UP OR DOWN.



STEP 30



STEP 31



To install the Top (1) to the vanity (2). Apply silicone caulk to the top edge of the wood cabinet. With the help of another adult, gently lower the Sink top with assembled sink onto the cabinet. Make sure the Sink top is flush with the back side of the wood cabinet and the wood cabinet left and right side walls.

STEP 32

