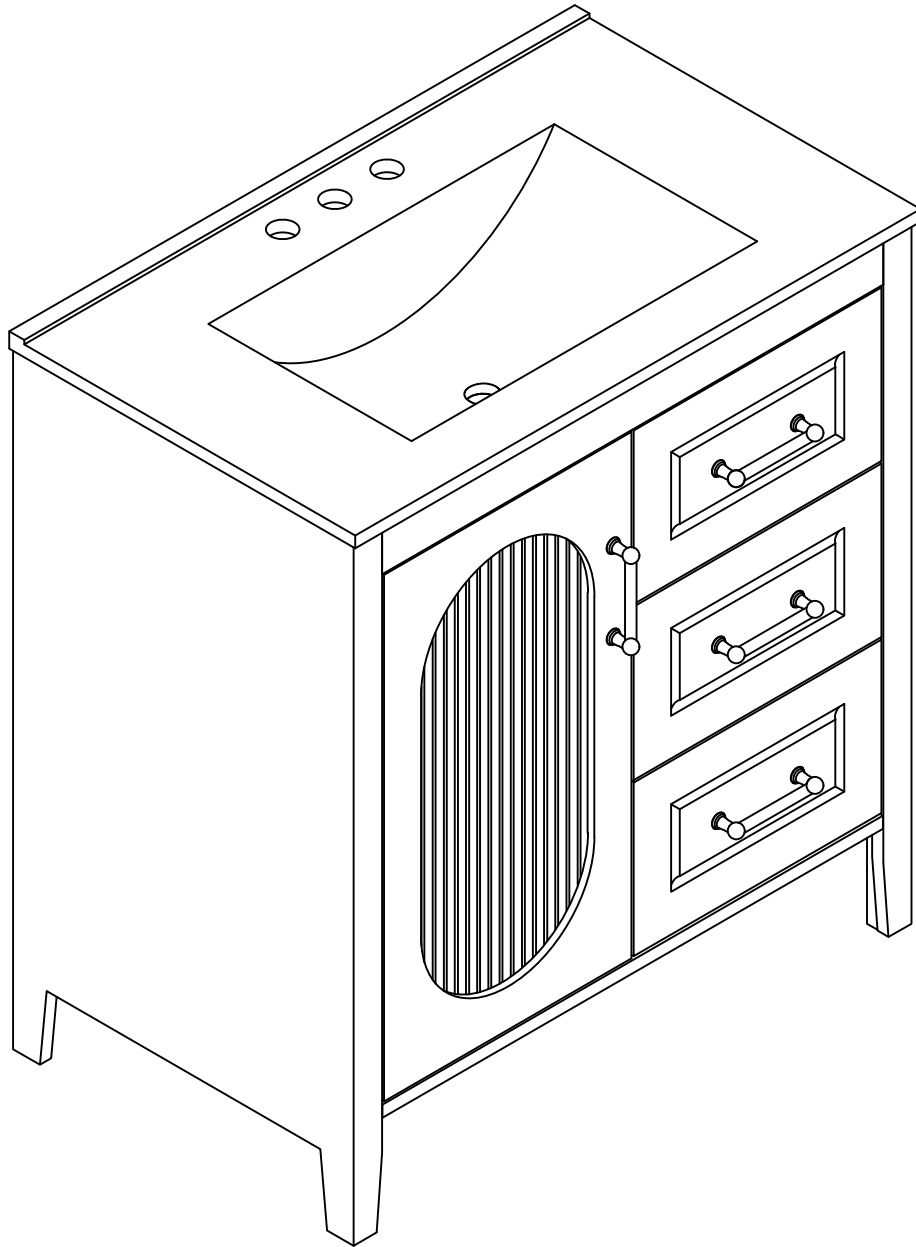
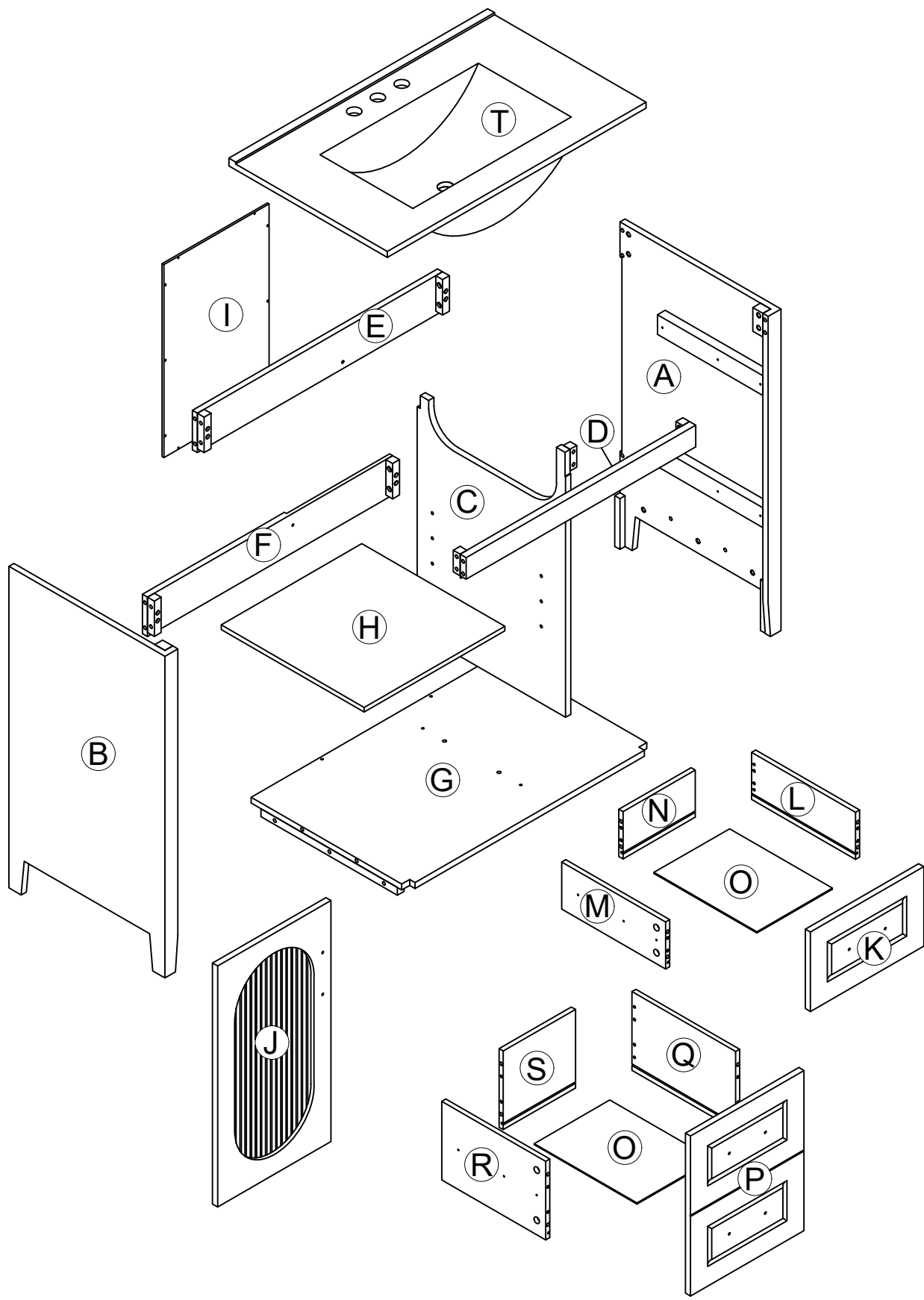
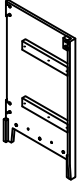


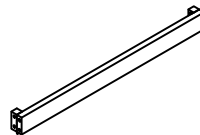
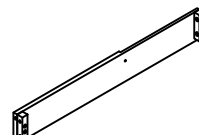
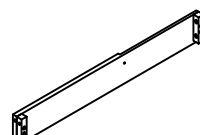
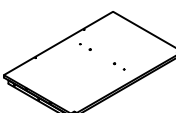
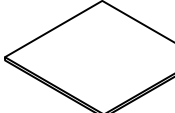

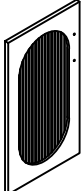
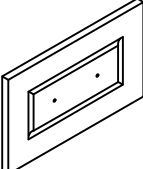
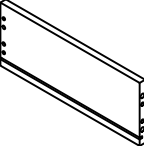
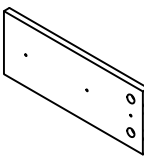
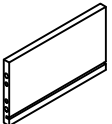
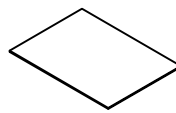
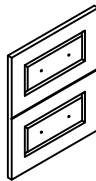
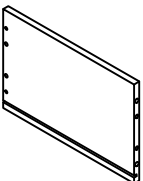
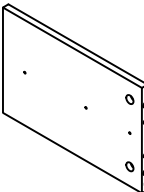
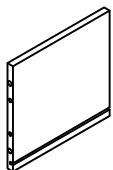
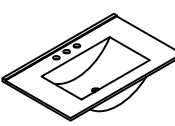


N725P170599B

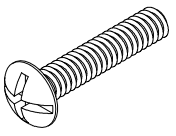
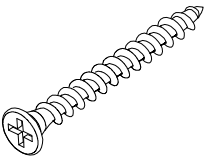
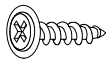
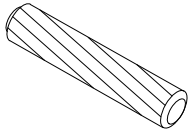
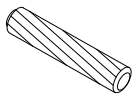
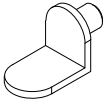
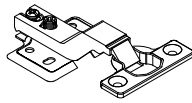

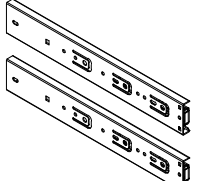

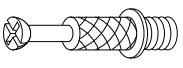
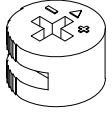
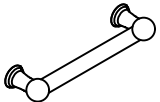






PRODUCT PARTS:

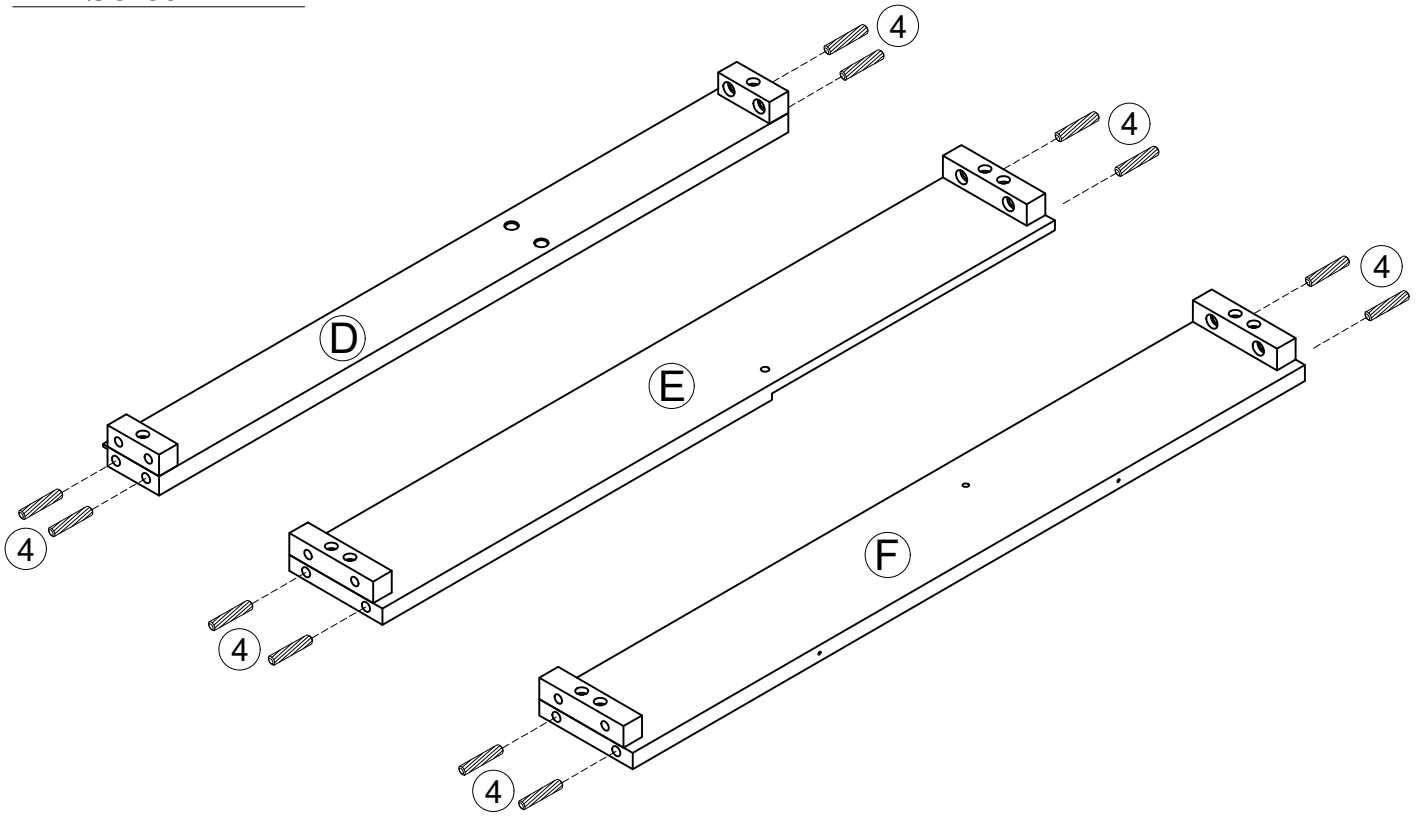
A	B	C	D	E	F
					
1PC	1PC	1PC	1PC	1PC	1PC
G	H	I	J	K	L
					
1PC	1PC	1PC	1PC	1PC	1PC
M	N	O	P	Q	R
					
1PC	1PC	2PCS	1PC	1PC	1PC
S	T				
					
1PC	1PC				

HARDWARE:


①	②	③	④	⑤	⑥
					
1/4"x25mm	Ø4x35mm	Ø3x12mm	Ø8x30mm	Ø6x30mm	
20+2 PCS	5 PCS	10+1 PCS	18+1 PCS	17+1 PCS	4 PCS
⑦	⑧	⑨	⑩	⑪	⑫
					
	Ø4x12mm	12"x45mm	Ø3x10mm	Ø6x33mm	Ø15x9mm
2 PCS	12+1 PCS	2 SET	24+2 PCS	16+1 PCS	16+1 PCS
⑬	⑭				
					
	5/32"x18mm				
4 PCS	8 PCS				

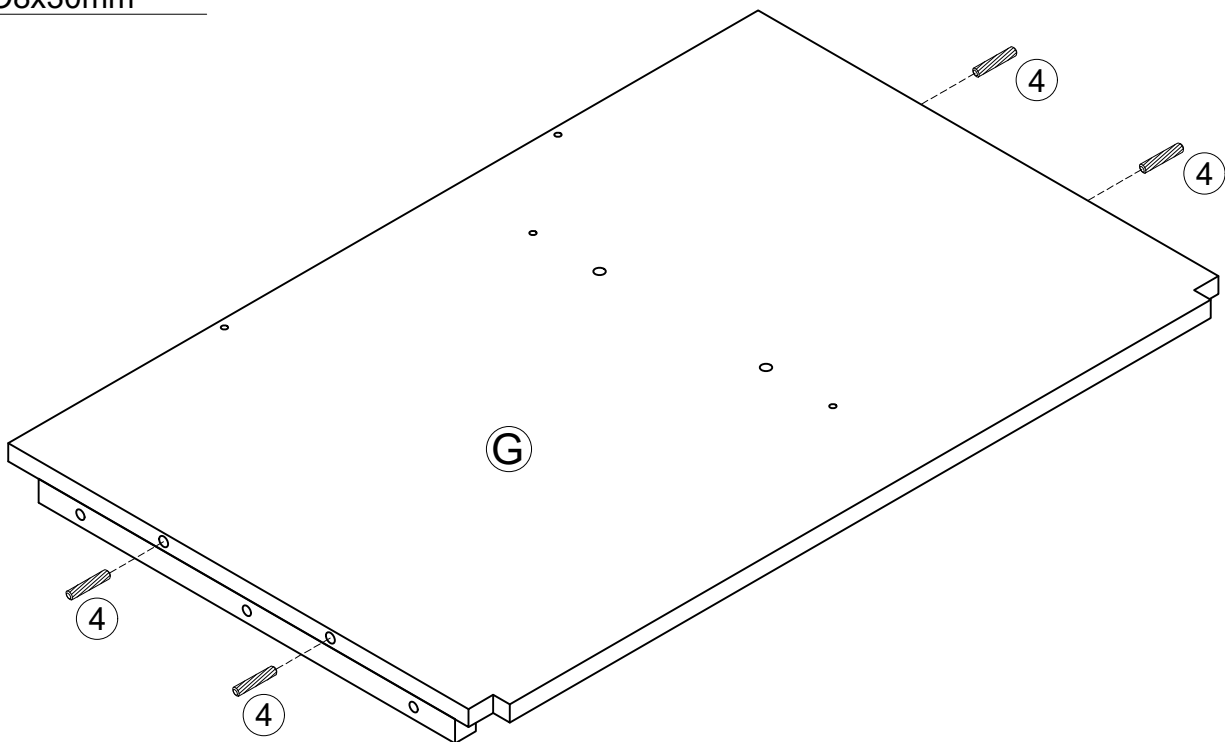
STEP 1

④  12pcs
Ø8x30mm




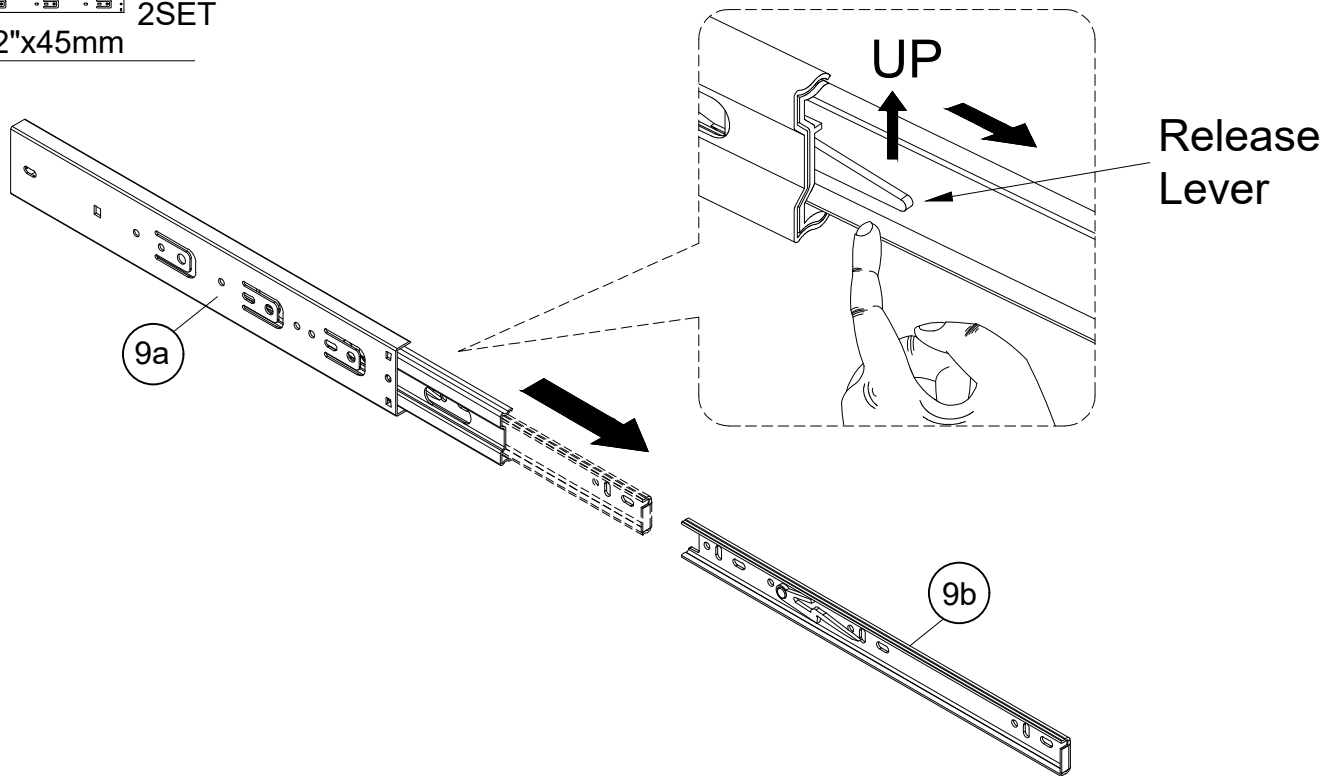
STEP 2

④  4pcs
Ø8x30mm

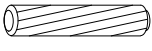


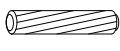
STEP 3

9  2SET
12"x45mm



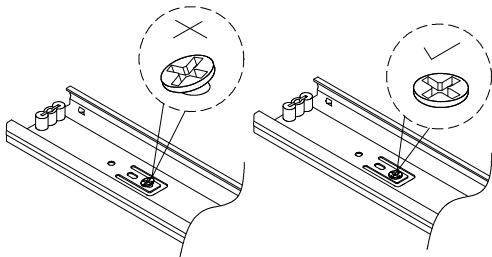
STEP 4

4  2pcs
Ø8x30mm

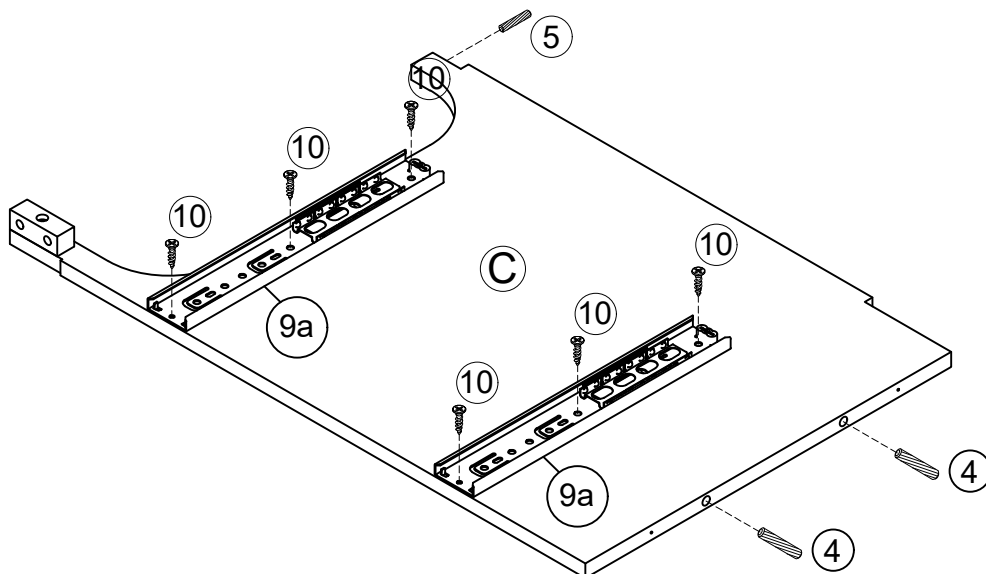
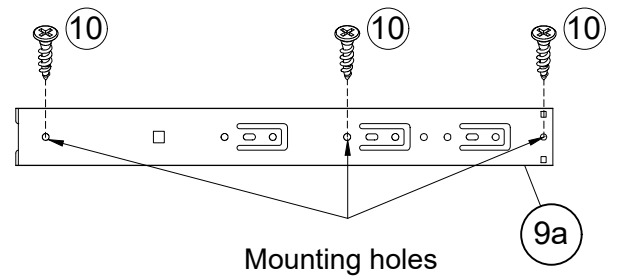
5  1pc
Ø6x30mm

9a  12"x45mm

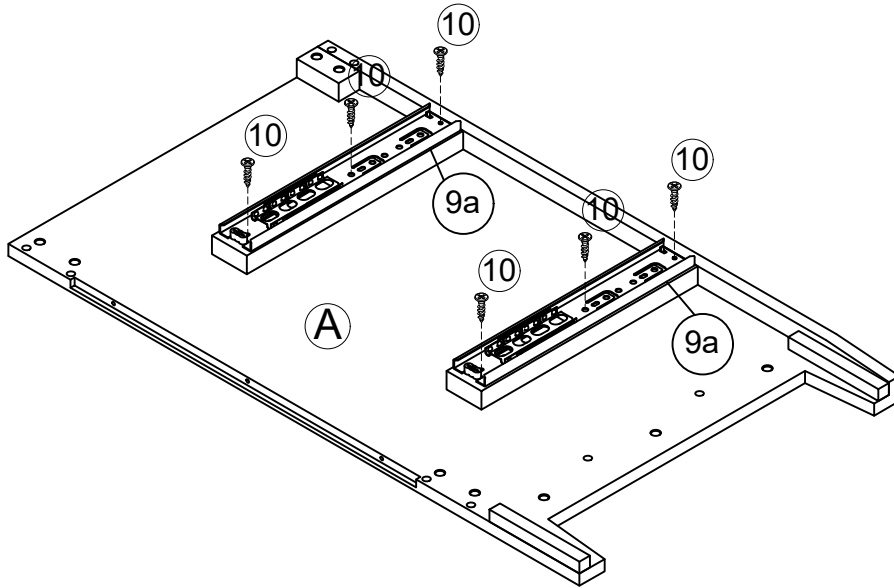
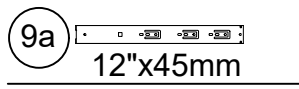
10  6pcs
Ø3x10mm



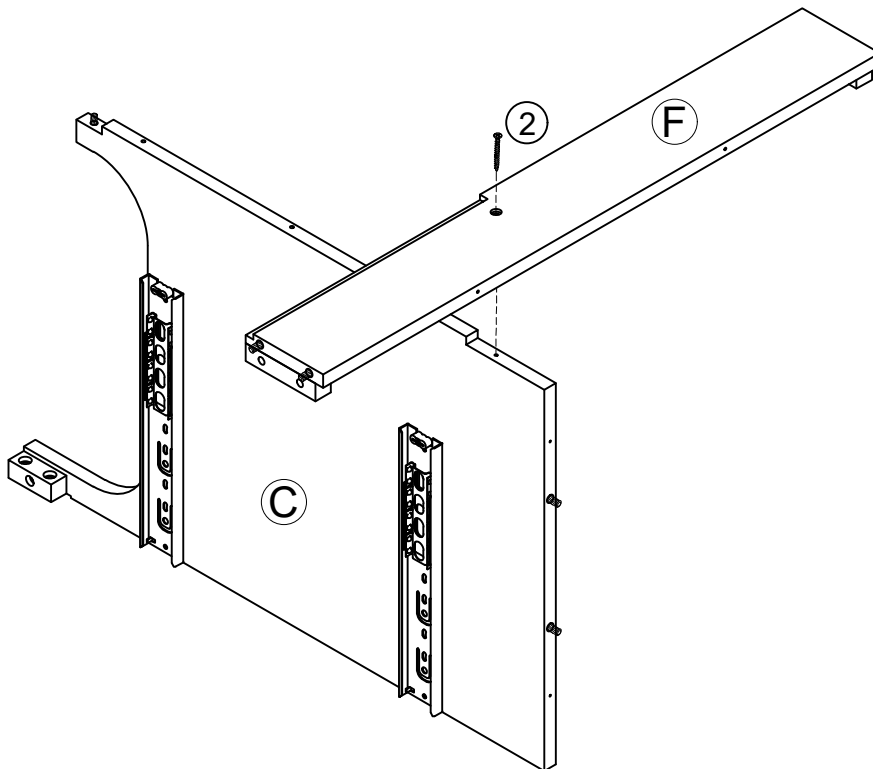
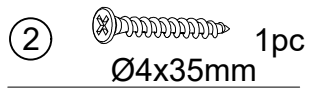
Please make sure that the screw is VERTICAL so as not to affect the sliding of the drawer.




STEP 5

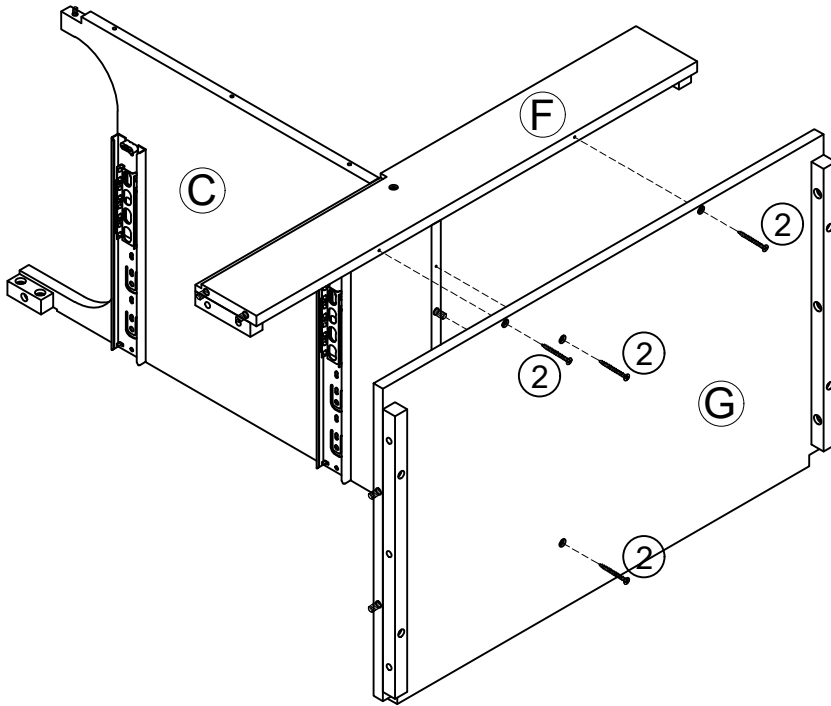


STEP 6




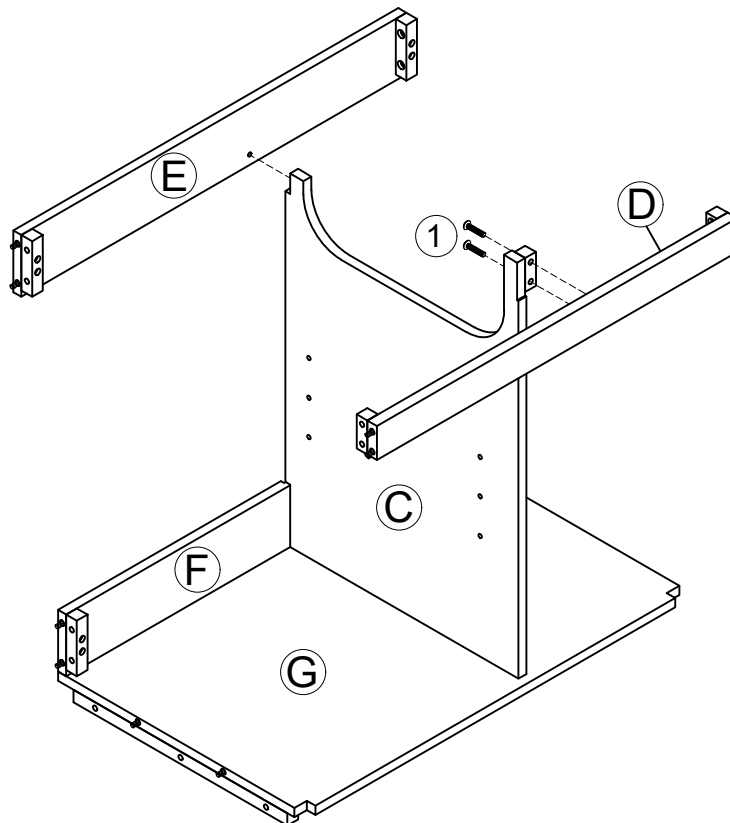
STEP 7

- ②  4pcs
Ø4x35mm




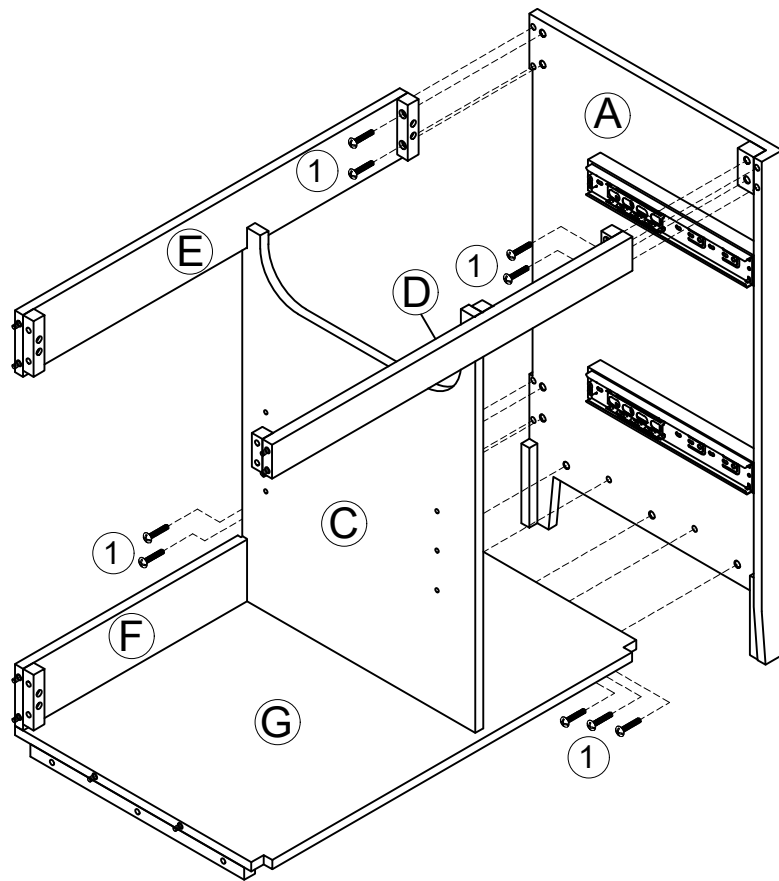
STEP 8

- ①  2pcs
1/4"x25mm




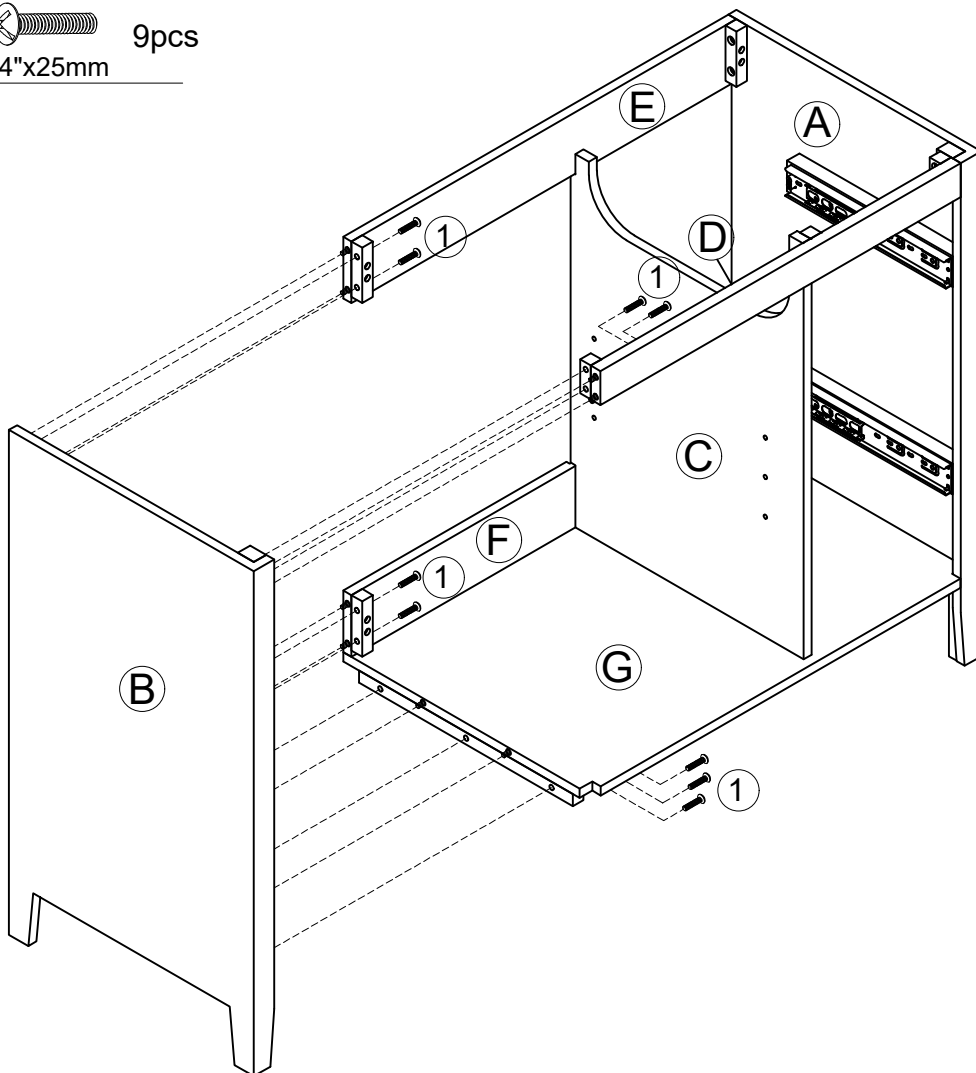
STEP 9

- ①  9pcs
1/4"x25mm



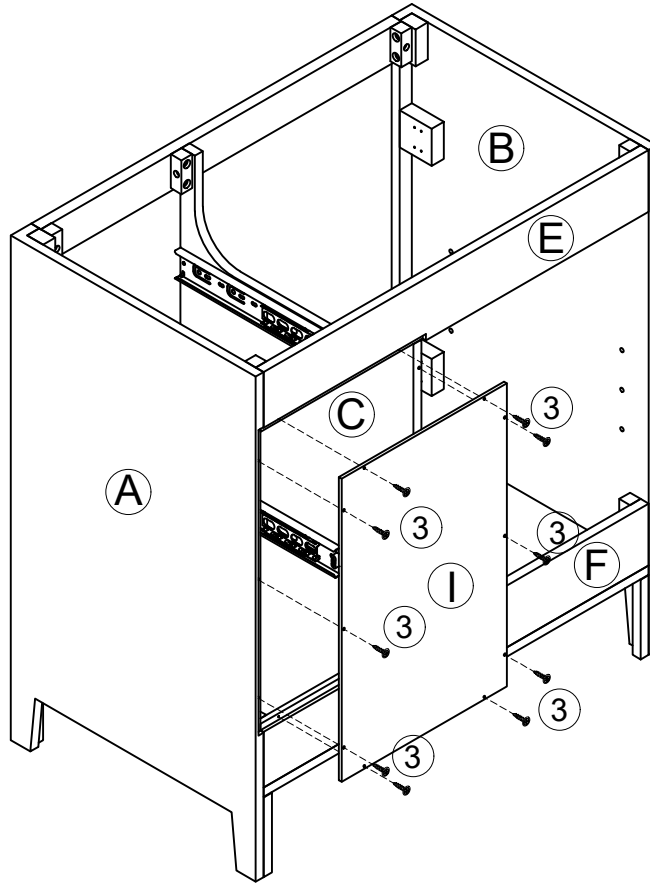
STEP 10

- ①  9pcs
1/4"x25mm

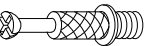



STEP 11

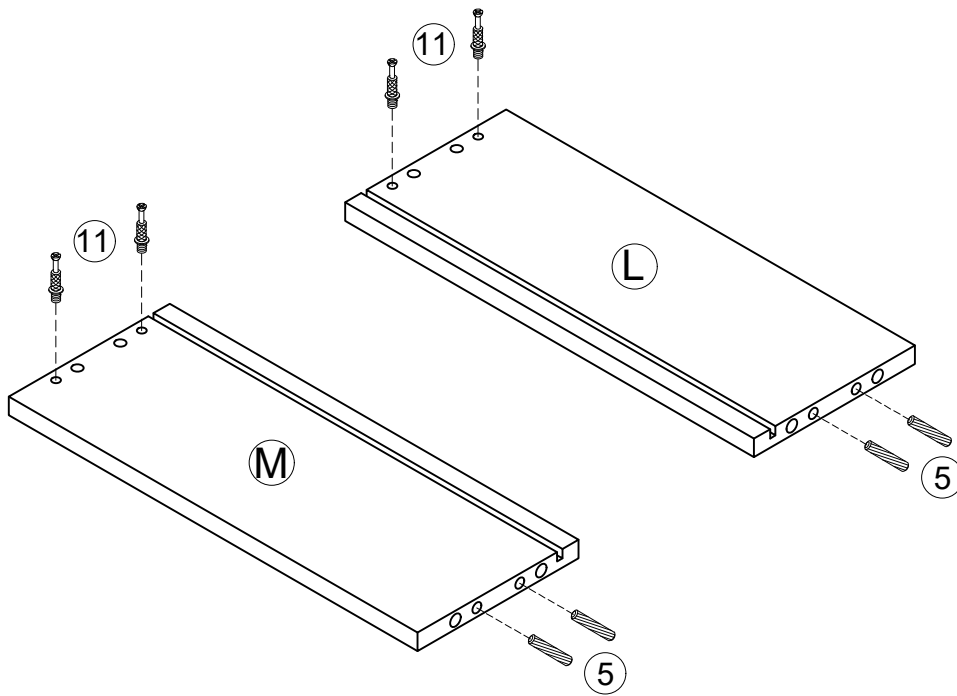
- ③  10pcs
Ø3x12mm



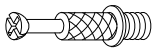
STEP 12

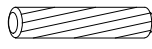
- ⑪  4pcs
Ø6x33mm

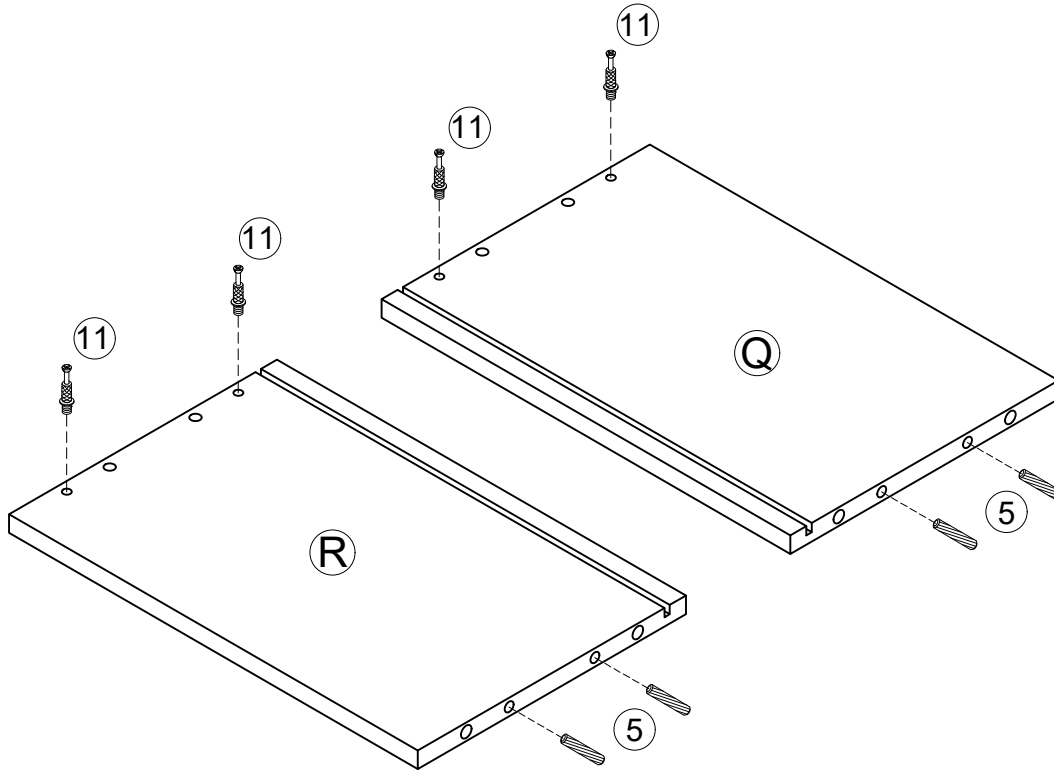
- ⑤  4pcs
Ø6x30mm



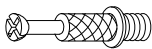
STEP 13

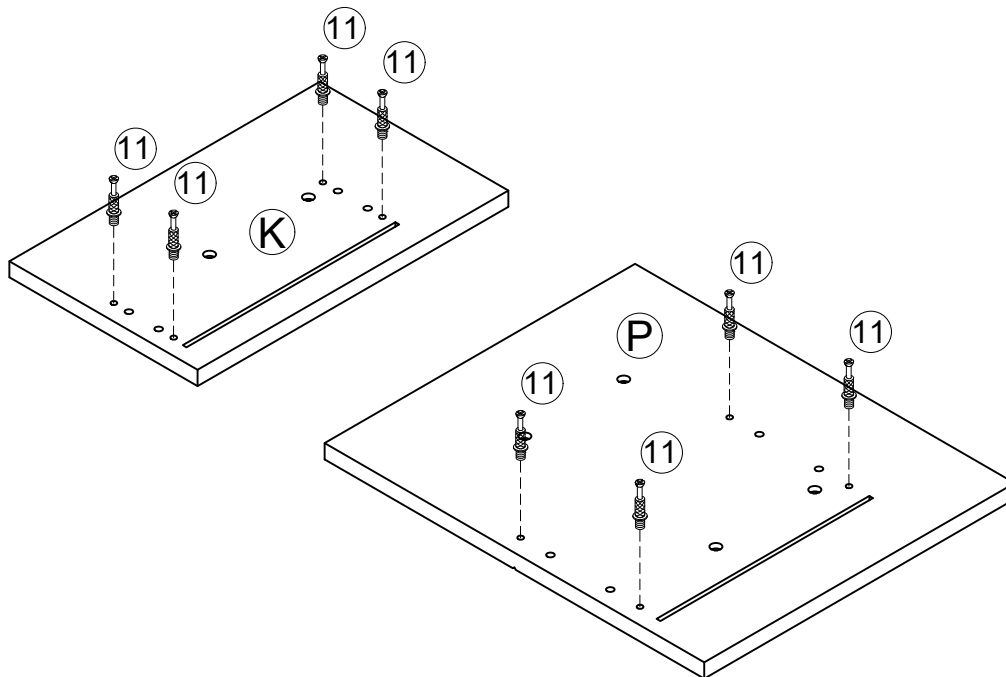
11  4pcs
Ø6x33mm

5  4pcs
Ø6x30mm




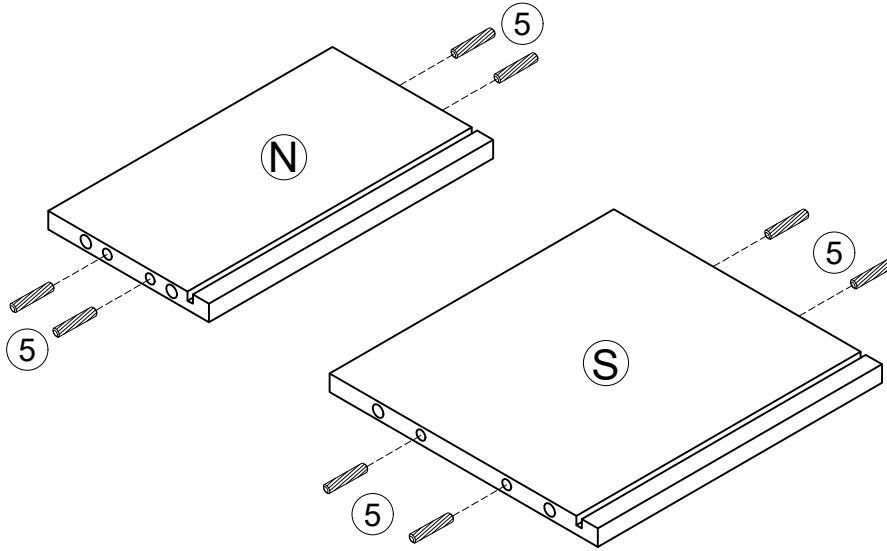
STEP 14

11  8pcs
Ø6x33mm




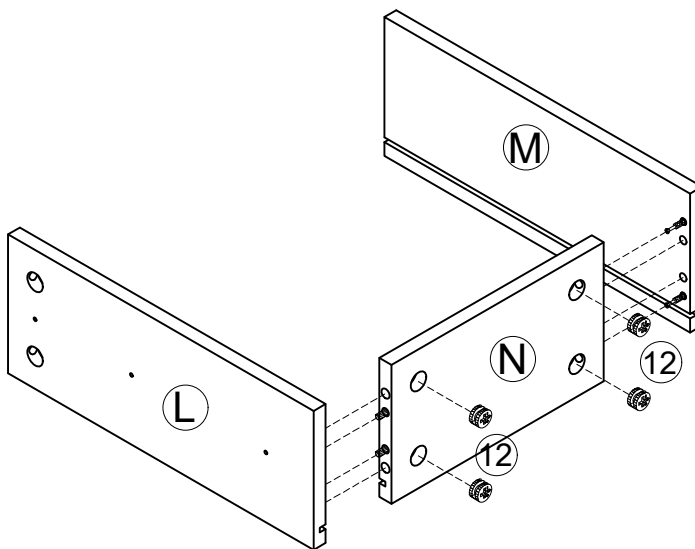
STEP 15

5  8pcs
Ø6x30mm

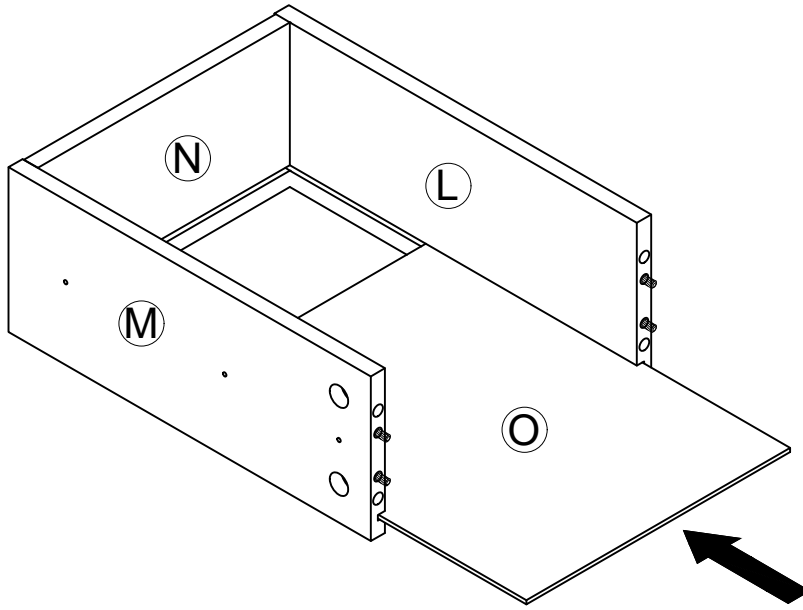


STEP 16


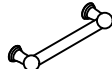

12  4pcs
Ø15x9mm

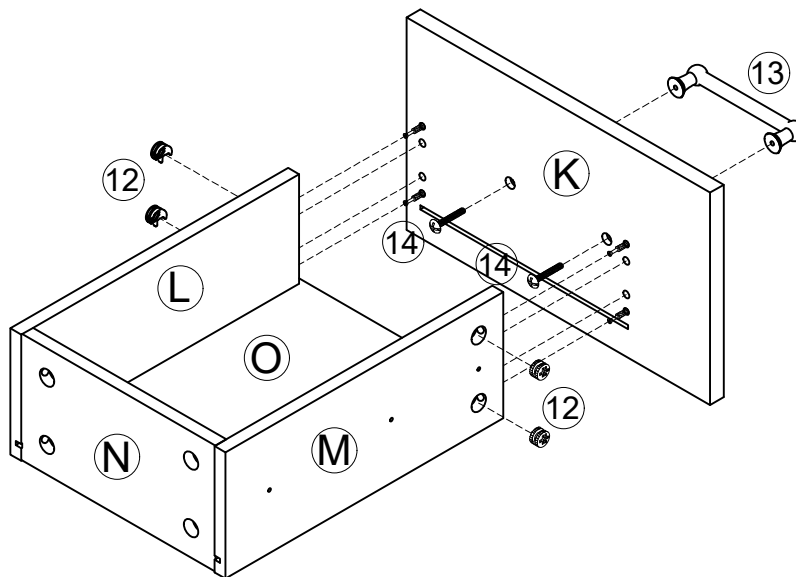


STEP 17

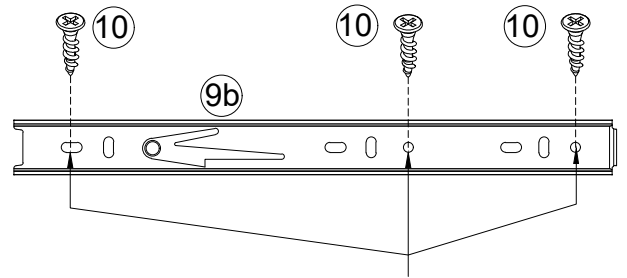
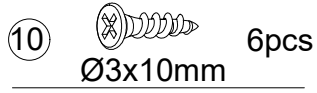
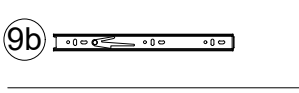


STEP 18

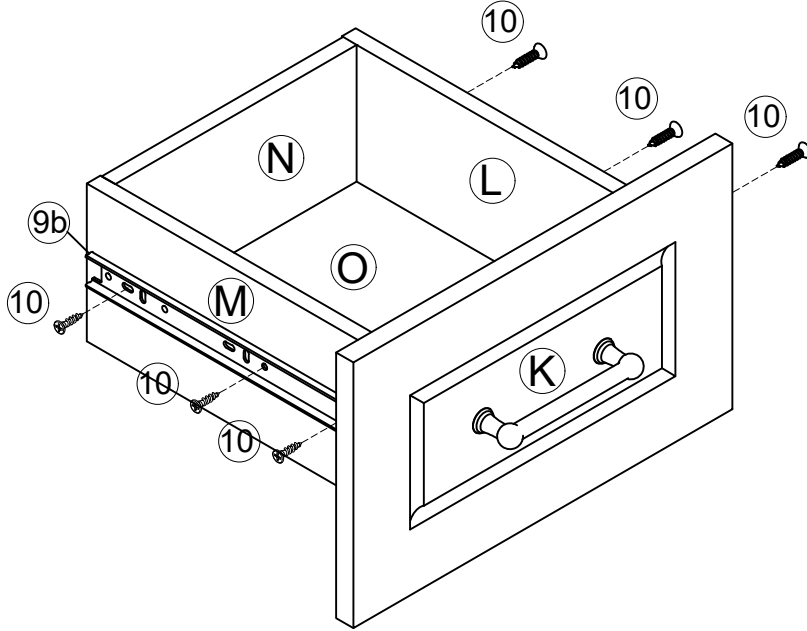
- | | | |
|--|--|--|
| 
⑫ $\text{Ø}15 \times 9\text{mm}$ 4pcs | 
⑬ 1pc | 
⑭ $5/32" \times 18\text{mm}$ 2pcs |
|--|--|--|



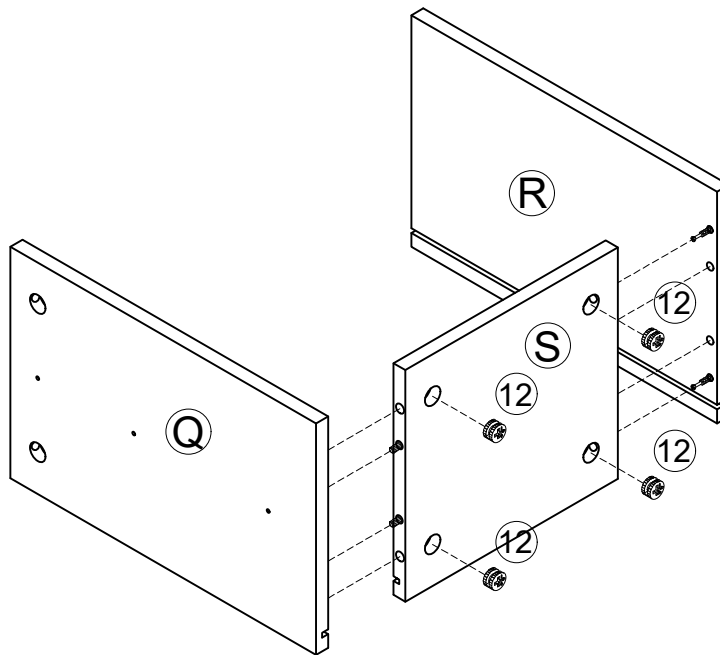
STEP 19



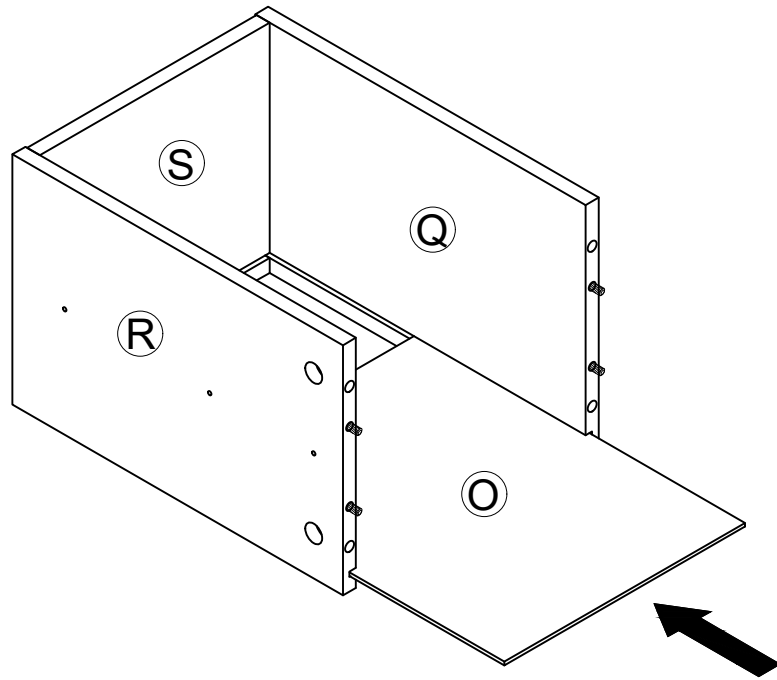
Mounting holes



STEP 20





STEP 21

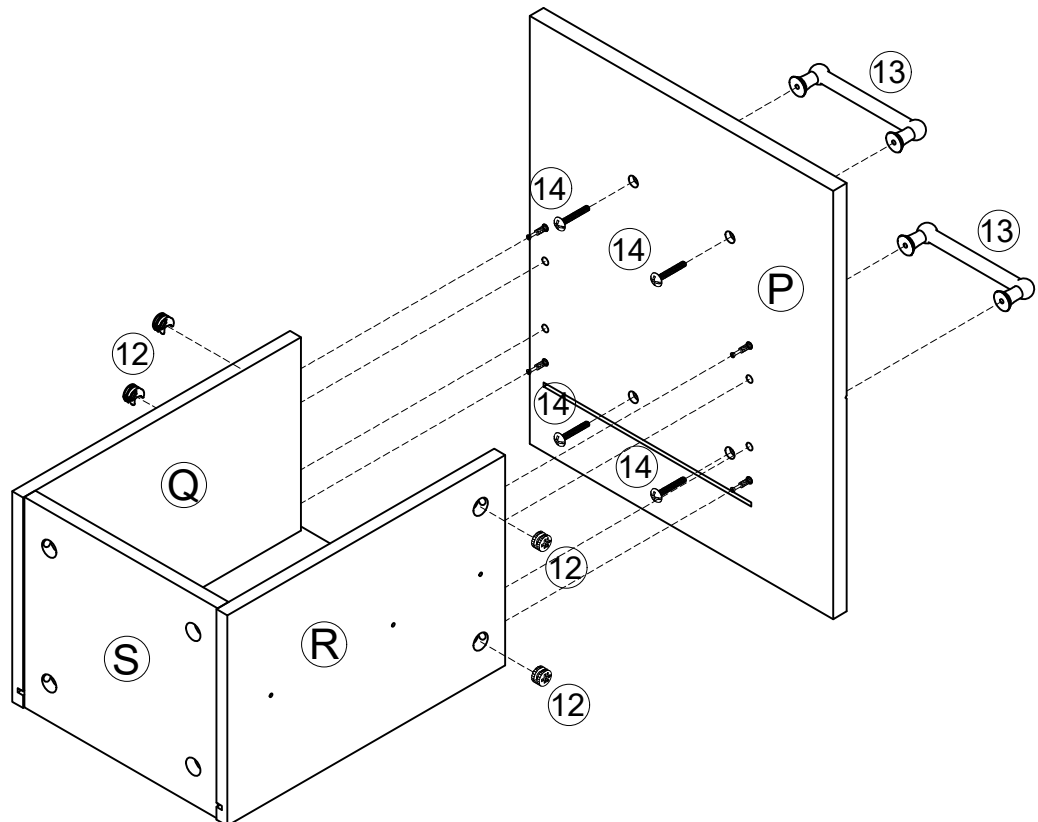


STEP 22

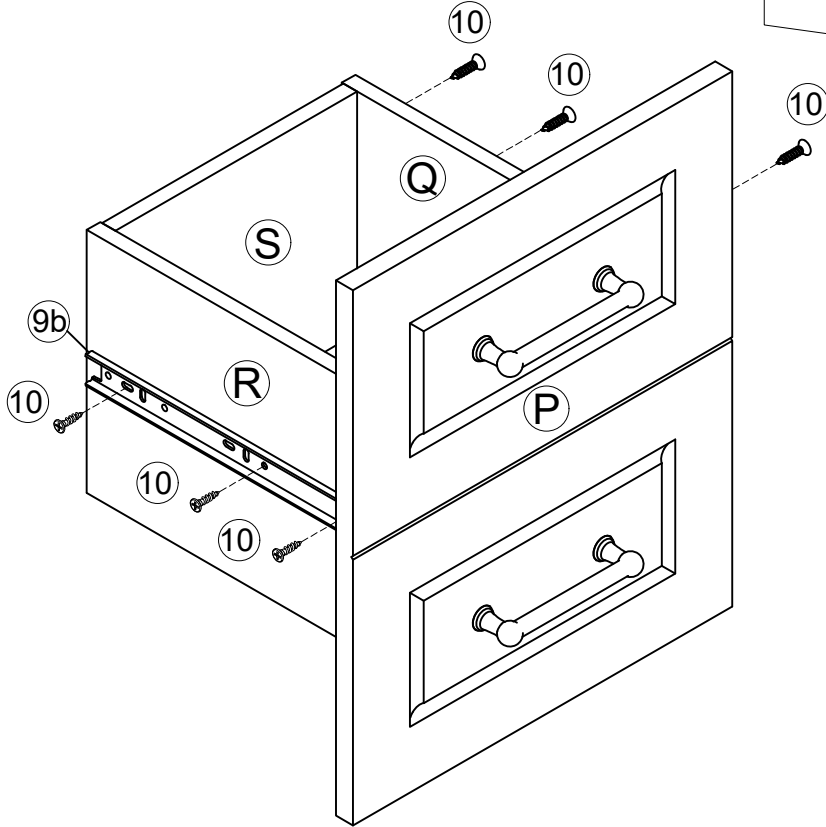
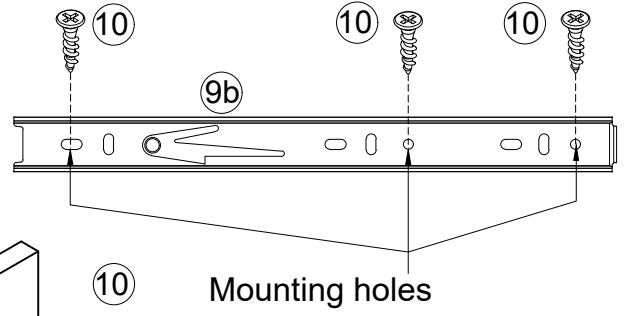
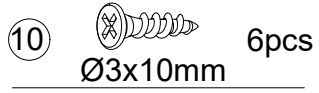
⑫  4pcs
Ø15x9mm

⑬  2pcs

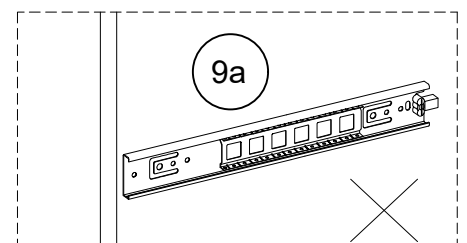
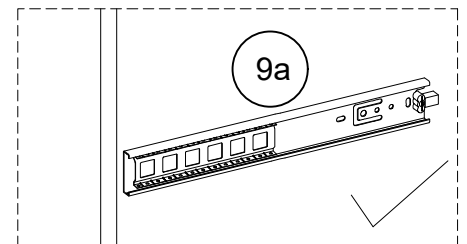
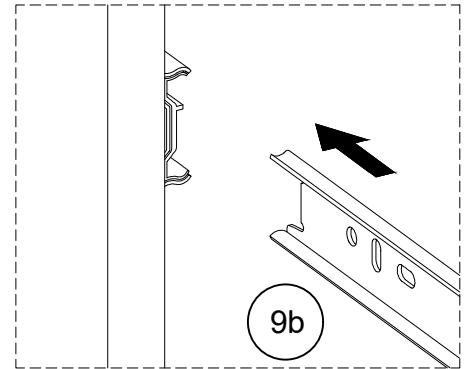
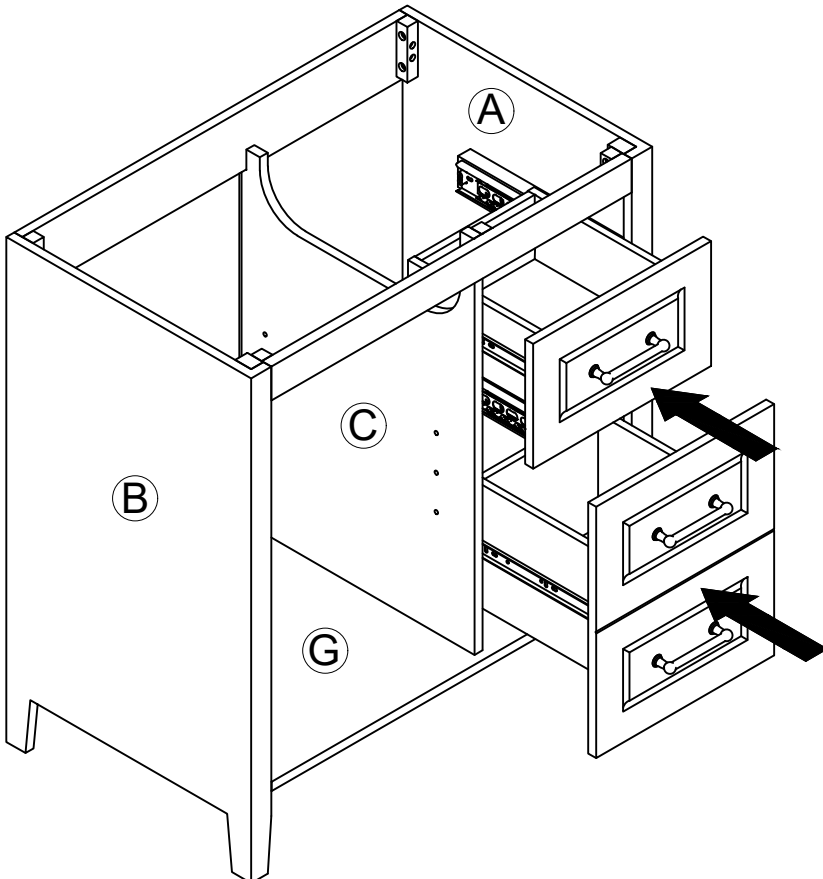
⑭  4pcs
5/32"x18mm



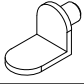
STEP 23

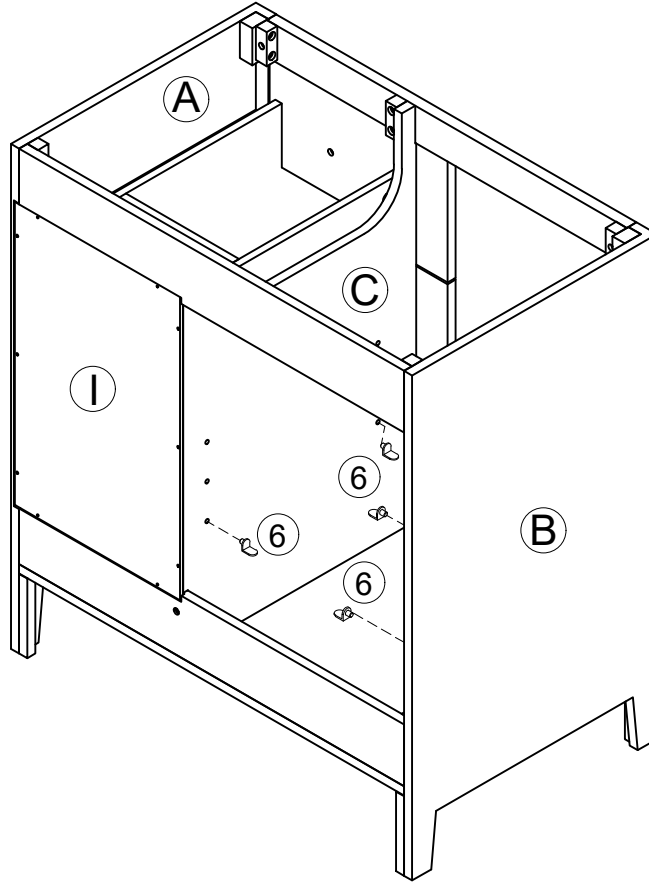


STEP 24

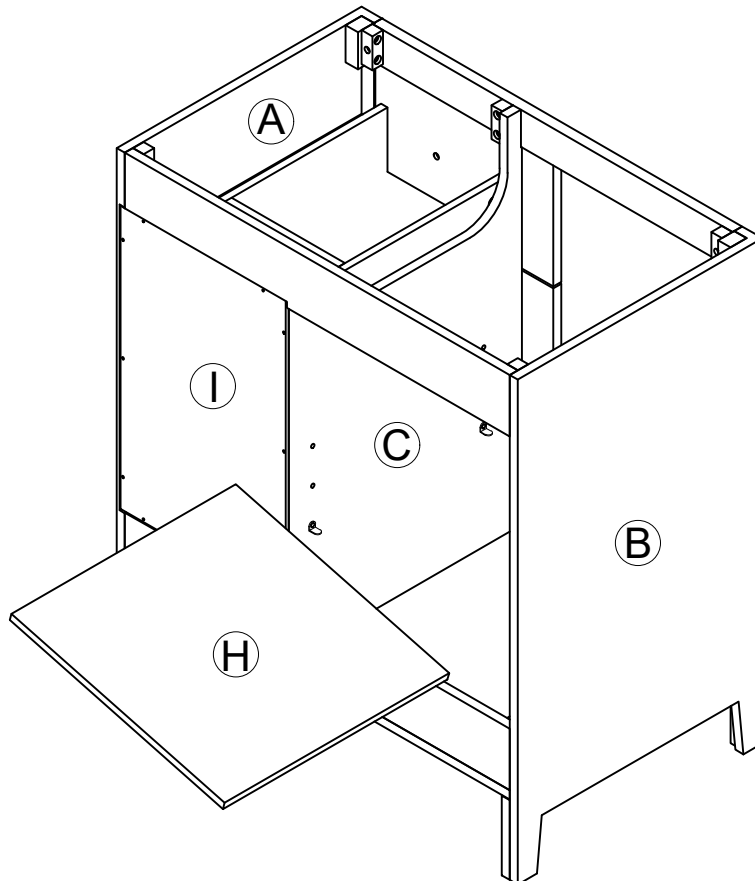


STEP 25

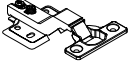
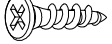
⑥  4pcs

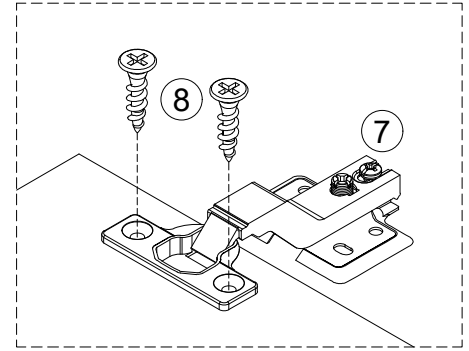
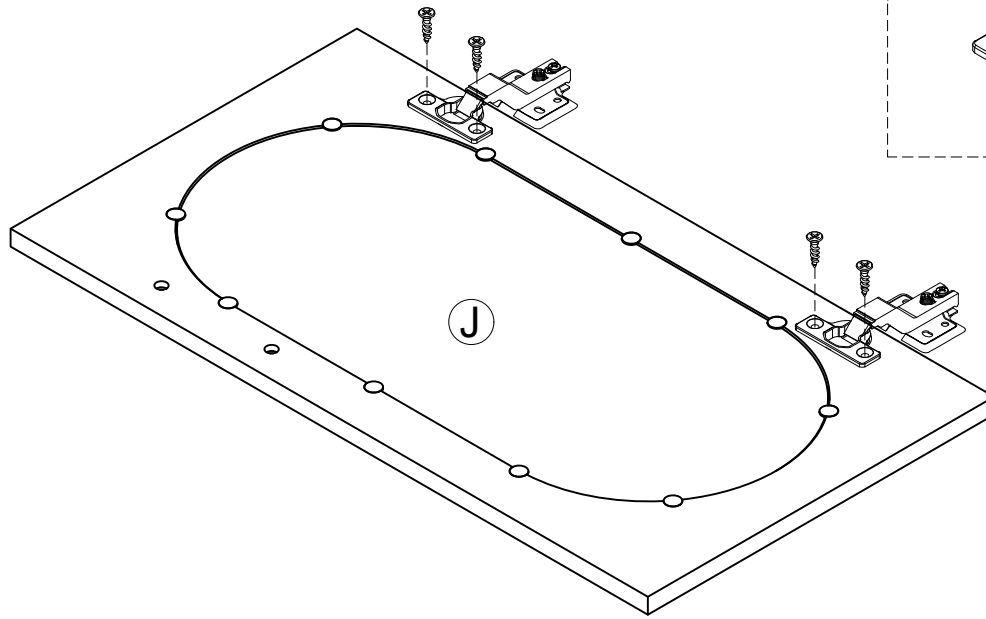


STEP 26



STEP 27

- ⑦  2pcs
 ⑧  4pcs
 Ø4x12mm

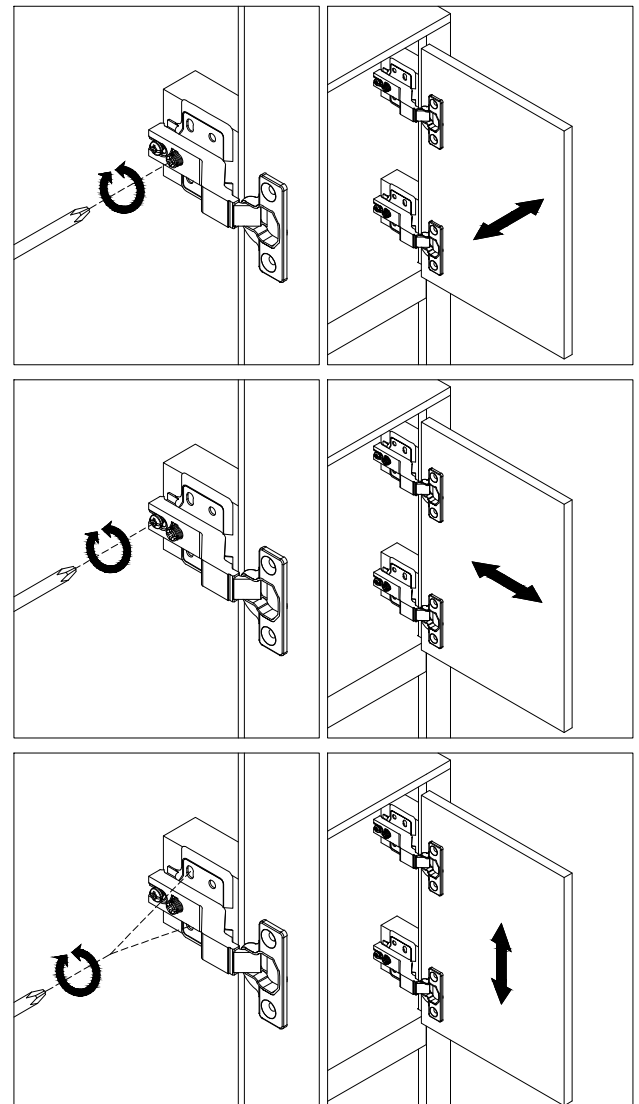
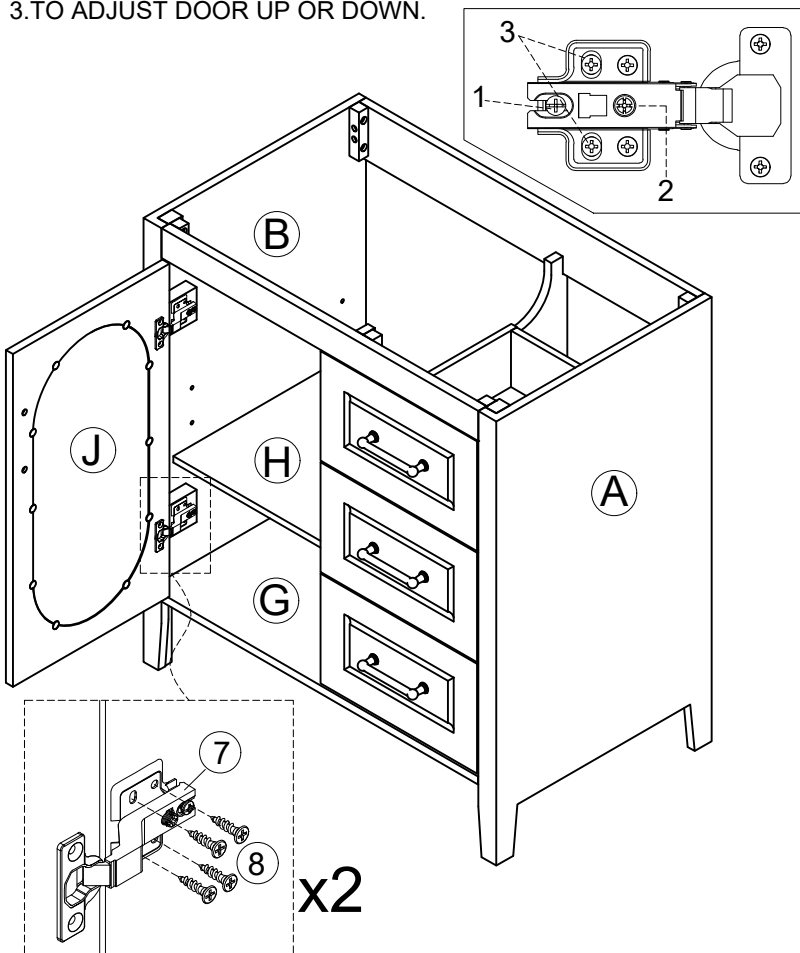


STEP 28

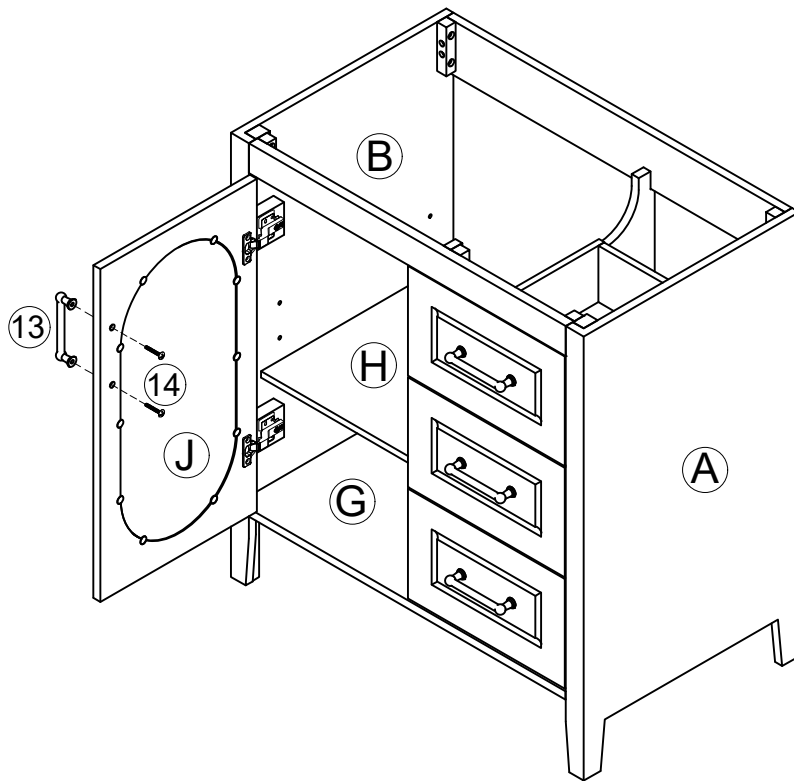
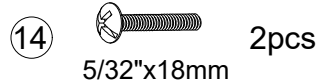
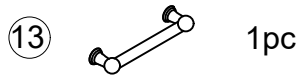
- ⑧  8pcs
 Ø4x12mm

Three-way adjustable hinge for perfectly aligned doors

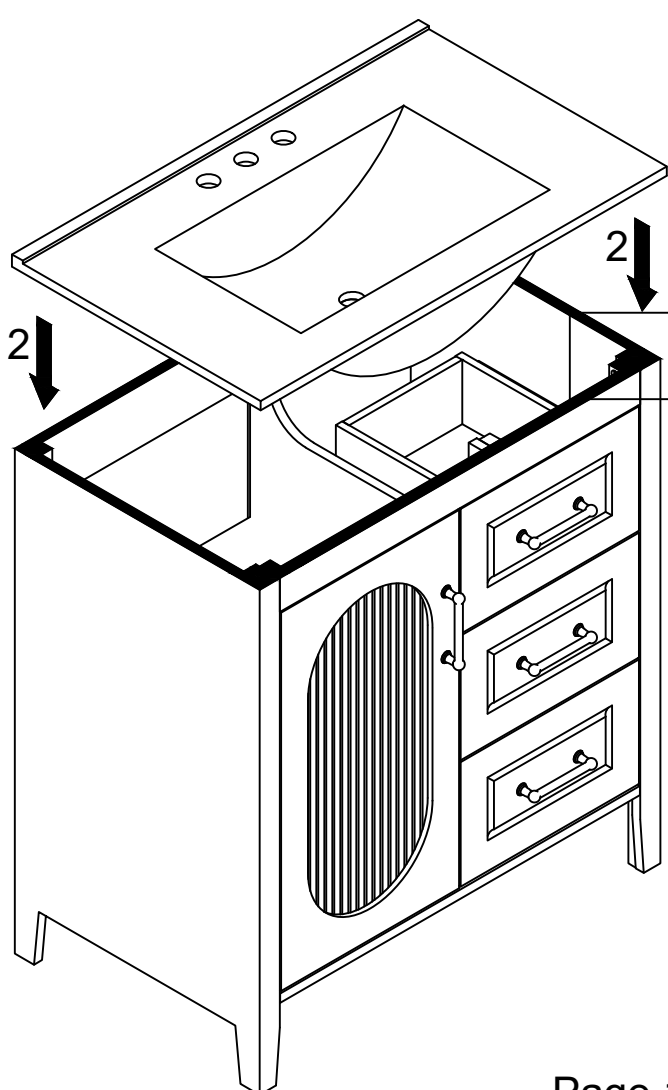
1. TO ADJUST DOOR FORWARD OR BACKWARD.
2. TO ADJUST DOOR TO RIGHT OR TO LEFT.
3. TO ADJUST DOOR UP OR DOWN.



STEP 29



STEP 30



To install the Top (1) to the vanity (2). Apply silicone caulk to the top edge of the wood cabinet. With the help of another adult, gently lower the Sink top with assembled sink onto the cabinet. Make sure the Sink top is flush with the back side of the wood cabinet and the wood cabinet left and right side walls.

