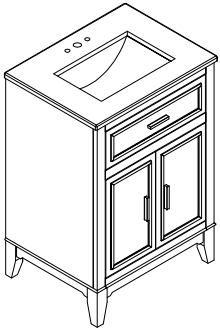


ASSEMBLY INSTRUCTIONS

ITEM # : N725P171408

Thank you for purchasing this quality Product. Be sure to check all packing material carefully for small parts, which may have come loose inside carton during shipment. Identify and count all parts and compare with the parts list below.


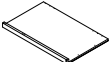



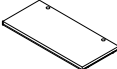
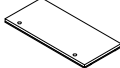
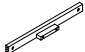
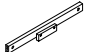
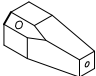
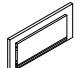







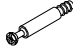








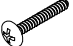


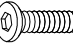





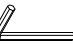
ASSEMBLY INSTRUCTION:

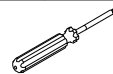
1. Remove hardware from box and sort by size.
2. Please check to see that all hardware and parts are present prior start of assembly.
3. Please follow attached instruction in the same sequence as numbered assure fast and easy assembly.

WARNING!

1. Don't attempt to repair or modify parts that are broken or defective. Please contact the store immediately.
2. This product is for home use only and not intended for commercial establishments.
3. Two persons are required for assembly.
4. Approximate assembly time 1 1/2 hours.
5. Component parts and fittings contained in the box. Please sort out all parts before you begin to assemble the item. This is to make sure you always use the correct part.
6. It is **STRONGLY RECOMMENDED** that you **ANCHOR** this product. Tipping furniture can cause serious injuries and death. To prevent your furniture from tipping forward it is strongly recommended that you securely attach this product to a wall or other solid surface, using the anchor straps provided appropriate fixings.

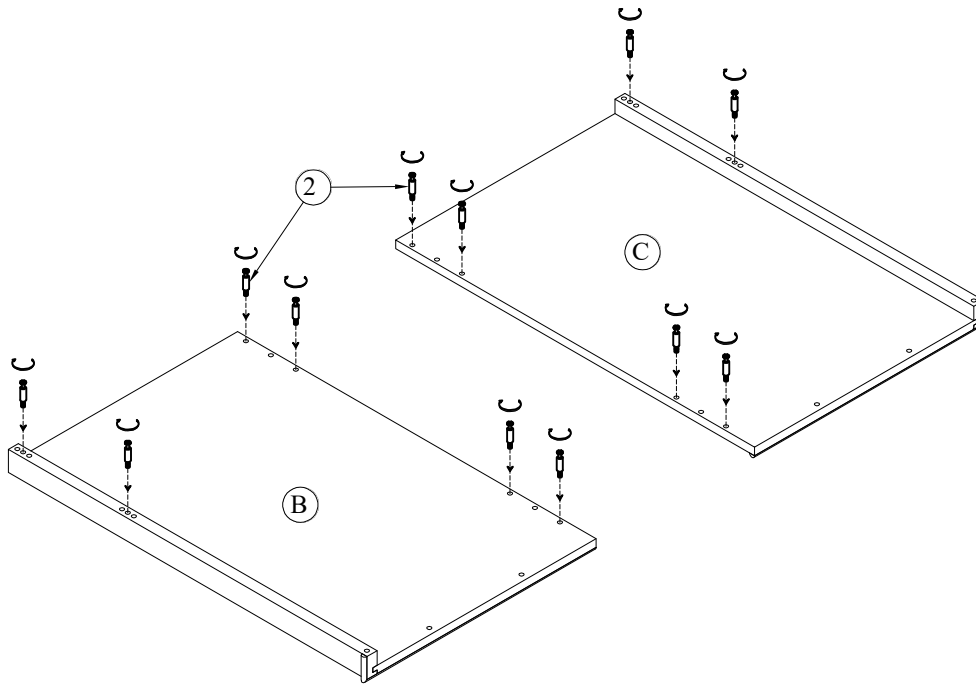
No.	Component		Q'ty
A		Sink	1
B		Side Panel-Left	1
C		Side Panel-Right	1
D		Back Panel - Up	1
E		Back Panel - Low	1
F		Right Door	1
G		Left Door	1
H		Front Rail	1
I		Front Rail	1
K		Legs	4
L		Front Drawer Panel	1
M		Sides Drawer Panel	2
N		Back Drawer Panel	1
O		Bottom Drawer Panel	1
P		Bottom Frame	1

No.	Hardware		Q'ty
1		Cam Lock	12
2		Cam Lock Screws	12
3		Wooden	14
4		Hinges	2
5		Screws M3x12	12
6		Hinges	4
7		Screws M3.5x15	30
8		Door Magnet	1
9		Screws M4x25	8
10		Handle	3
11		Screws M4x22	4
12		Screws M4x30	2
13		Rod Support hinges	1
14		Allen Bolts 1/4" x 30"	4
15		Flat Washers 1/4" x 16 x 2"	4
16		Lock washers 1/4" x 11 x 2"	4
17		Allen Bolts 5/16" x 50"	4
18		Flat Washers 5/16" x 19 x 2"	4
19		Lock washers 5/16" x 13 x 2"	4
20		Allen key	1



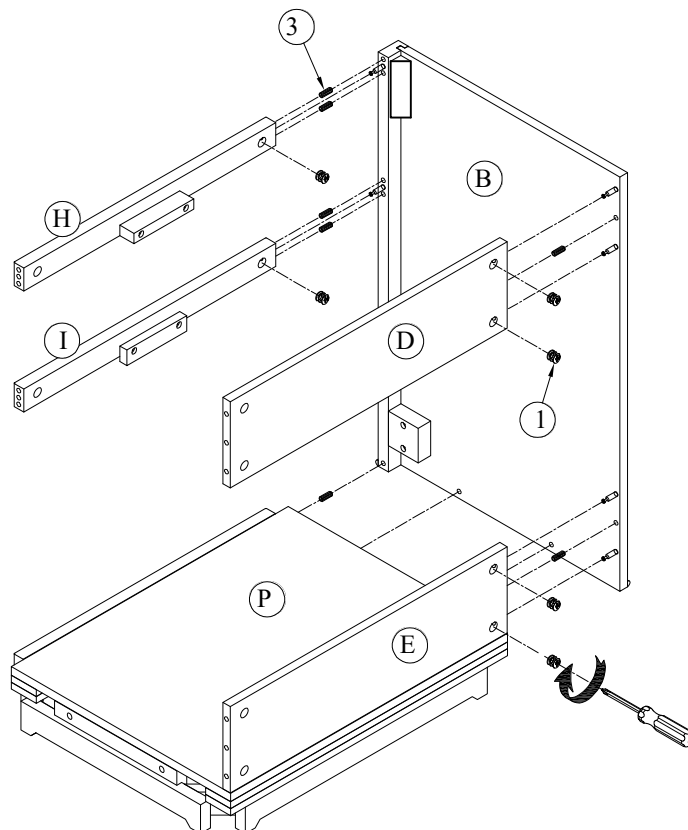
Not Included

Step 1



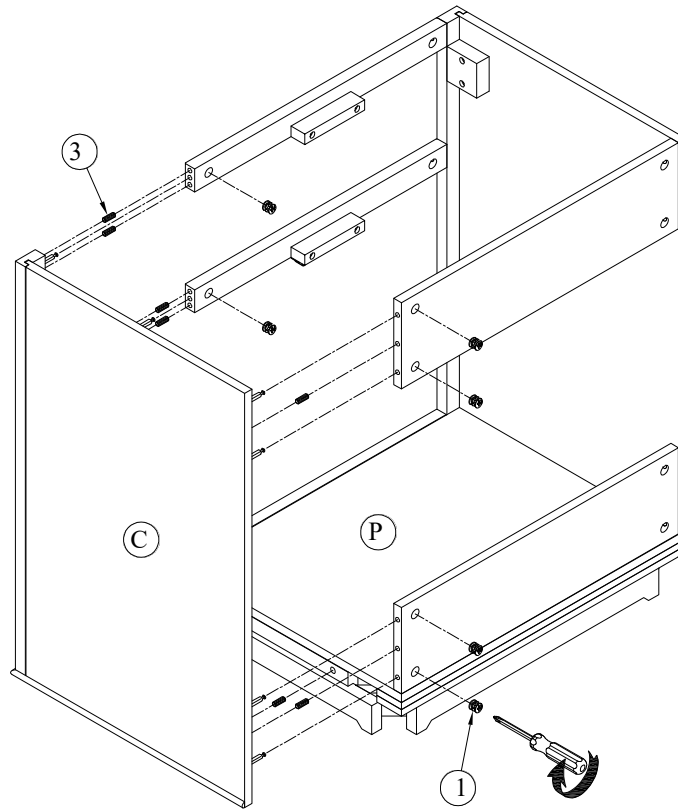
No	Hardware	Q'ty
2	Cam Lock Screws	12

Step 2



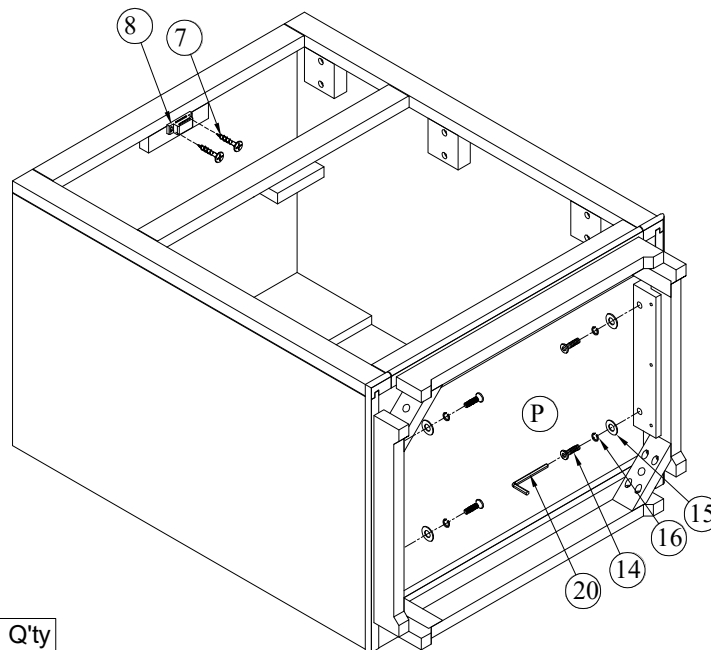
No	Hardware	Q'ty
1	Cam Lock	6
3	Wooden	7

Step 3



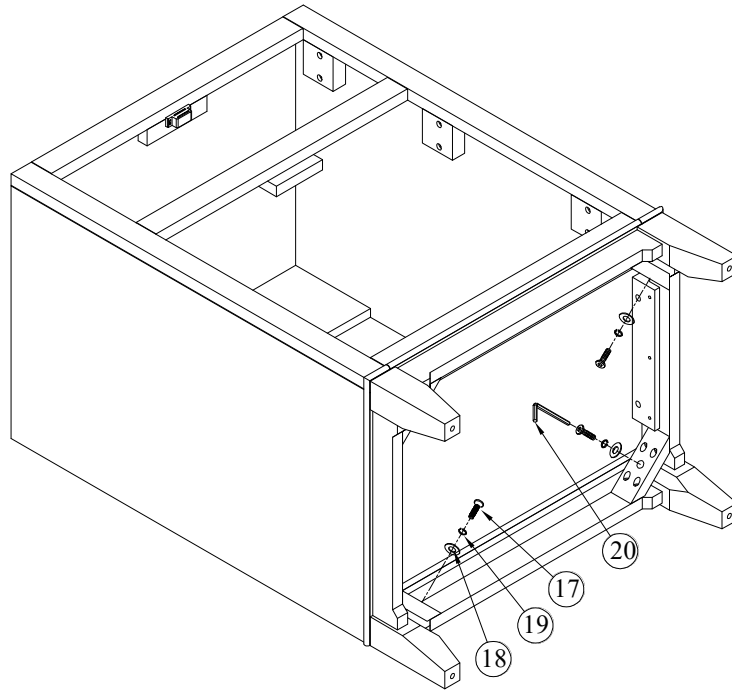
No	Hardware	Q'ty
1	Cam Lock	6
3	Wooden	7

Step 4



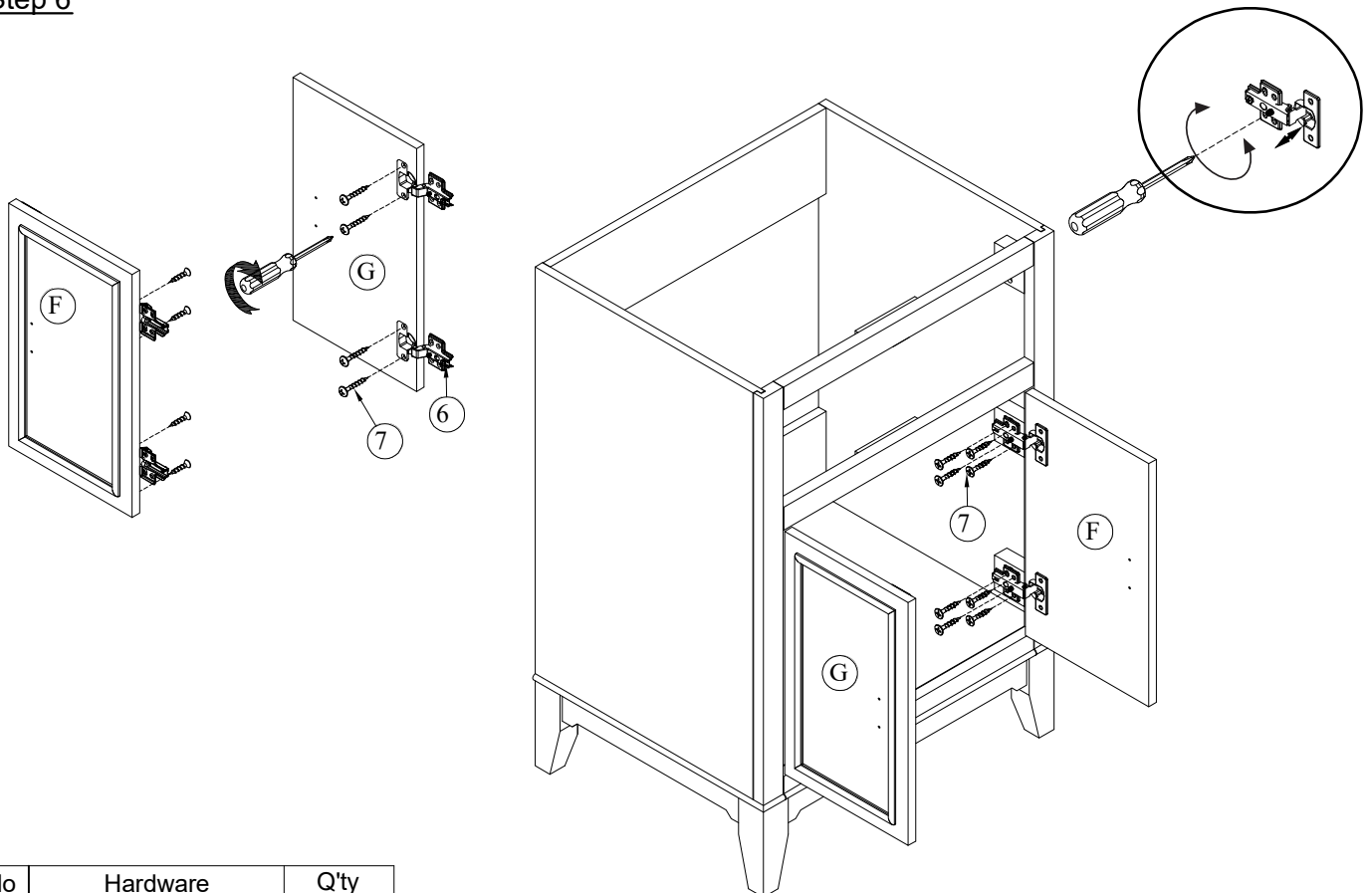
No	Hardware	Q'ty
14	Allen Bolts 1/4" x 30	4
15	Flat Washers 1/4" x 16 x 2	4
16	Lock washers 1/4" x 11 x 2	4
20	Allen key	1
8	Door Magnet	1
7	Screws M3.5 x 15	2

Step 5



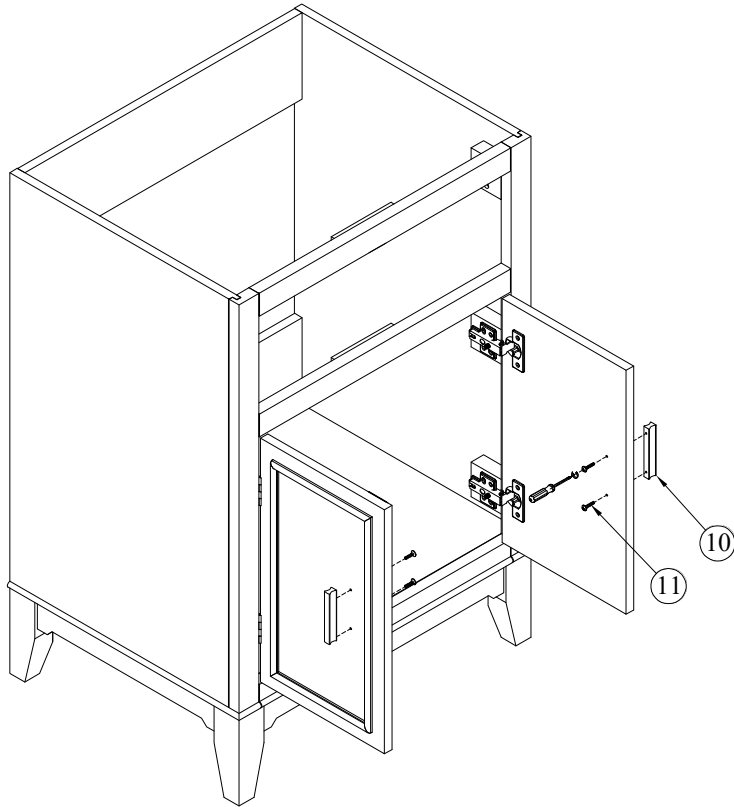
No	Hardware	Q'ty
17	Allen Bolts 5/16" x 50	4
18	Flat Washers 5/16" x 19 x 2	4
19	Lock washers 5/16" x 13 x 2	4
20	Allen key	1

Step 6



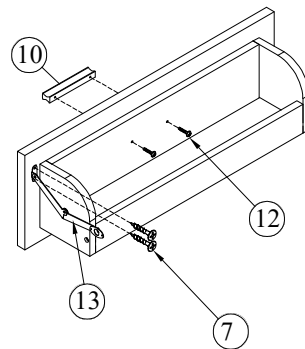
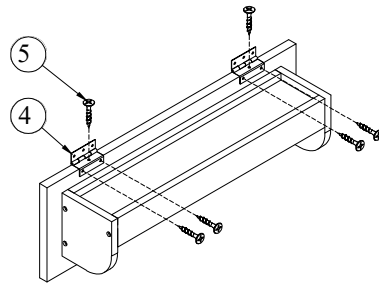
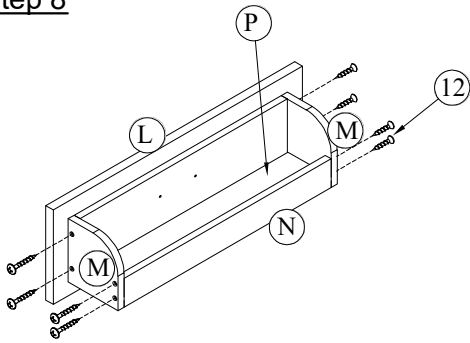
No	Hardware	Q'ty
6	Hinges	4
7	Screws M3.5 x 15	24

Step 7



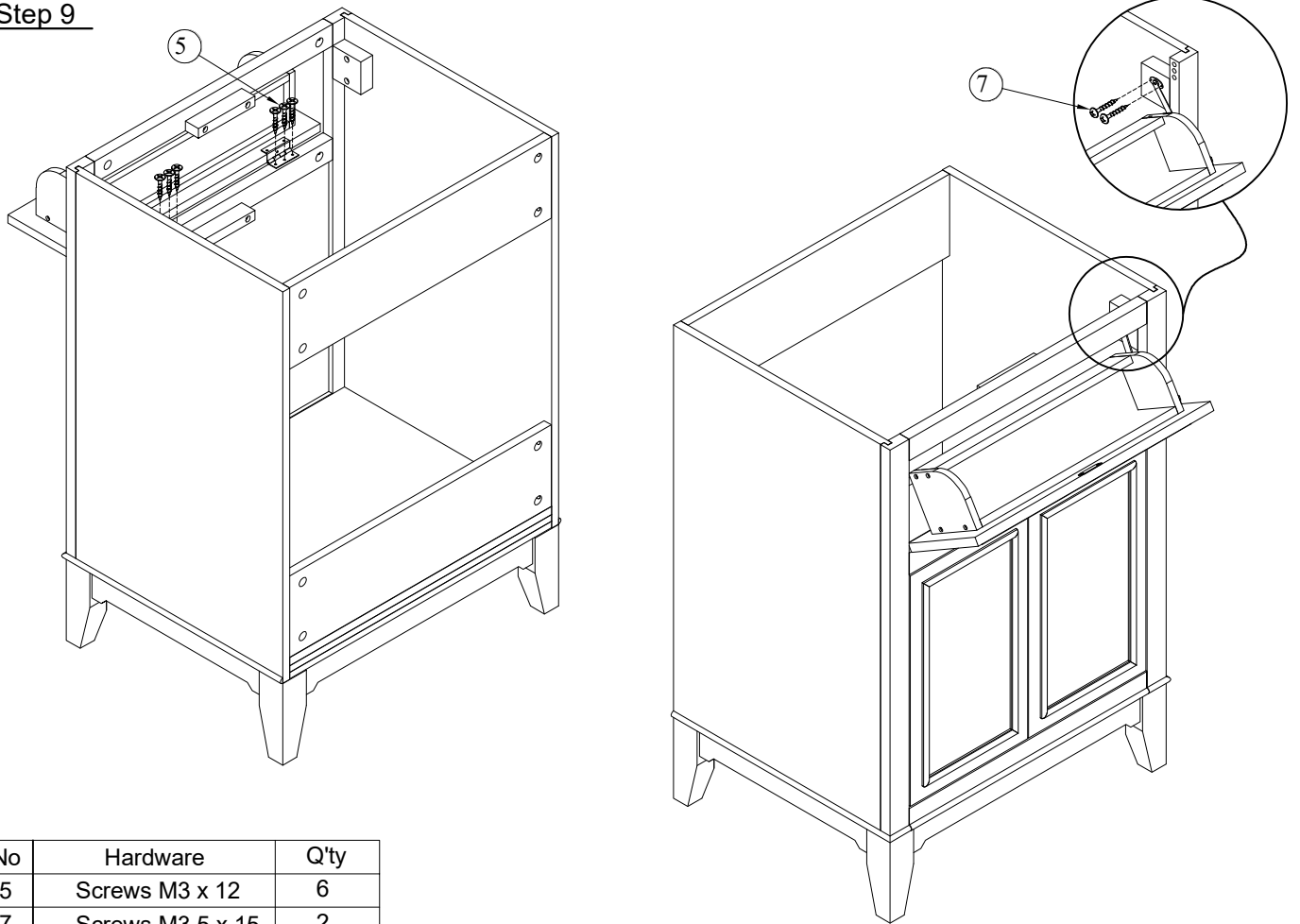
No	Hardware	Q'ty
10	Handle	2
11	Screws M4 x 20	4

Step 8



No	Hardware	Q'ty
4	Hinges	2
5	Screws M3x12	6
10	Handle	1
12	Screws M4x30	2
13	Rod Support hinges	1
7	Screws M3.5 x 15	2

Step 9



No	Hardware	Q'ty
5	Screws M3 x 12	6
7	Screws M3.5 x 15	2

Step 10

