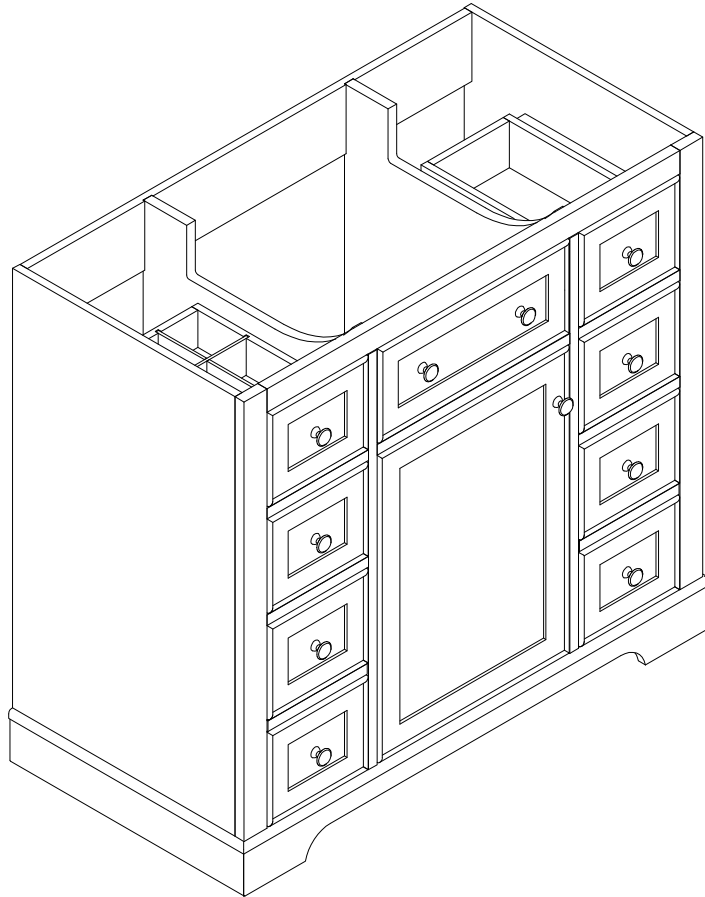


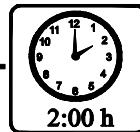
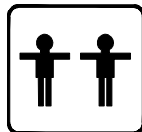
# ASSEMBLY INSTRUCTIONS

## BATH VANITY-CABINET

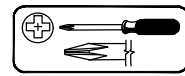


Thank you for purchasing this quality product. Be sure to check all packing material carefully for small parts which may have come loose inside the carton during shipment. Separate, identify and count all parts and hardware. Compare with the parts list to be sure all parts are present.  
**"DO NOT TIGHTEN SCREWS UNTIL COMPLETELY ASSEMBLED"**

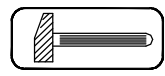
**\* Use of power tool to assemble this product will invalidate any claim and damage this product making unsafe !!!**  
**\* Please assemble on a clean soft surface to avoid damage.**



### Tools Required



(Not included)



(Not included)

**IMPORTANT:**

**PLEASE READ INSTRUCTION BEFORE STARTING THE ASSEMBLY**

**Thank you for buying our products.**

**Please read the installation manual carefully before installation,**

**we need you to follow the instructions on the accessories and hardware**

**step by step assembly complete, our instructions are very detailed.**

**Products are environmentally friendly products,**

**Please rest assured that you do not soak in water, do not place very heavy items,**

**do not malicious push and pull,**

**if you have any problems in the process of assembly and use, please contact us.**

**Thank you again for your purchase of our products,**

**I wish you a happy life.**

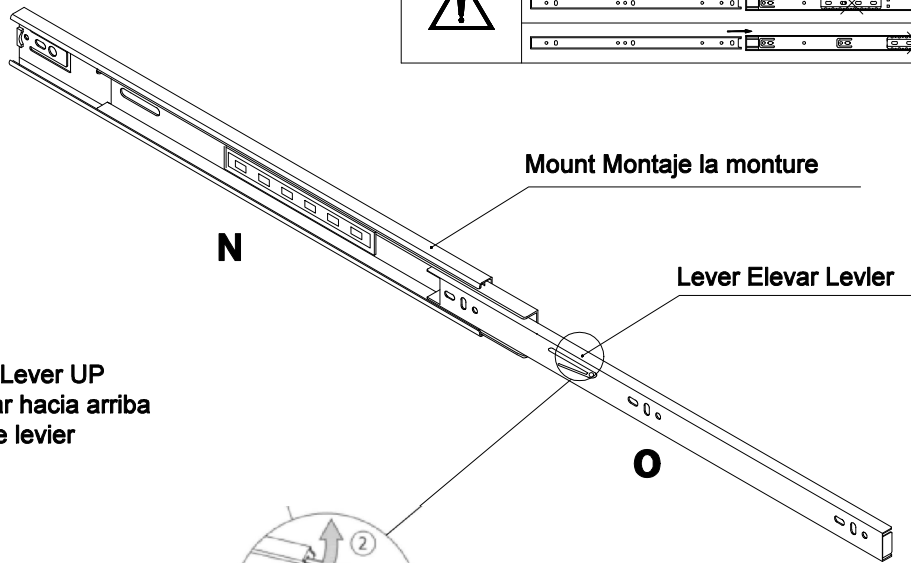
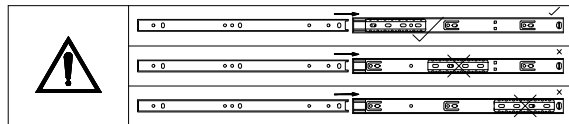
**Slides Must Be Separated Before Assembly.  
After Separated, Set Aside Until Needed for Assembly.**

Las diapositivas deben separarse antes del montaje.  
Después de la separación, déjelo a un lado hasta que sea necesario.

Les glissières doivent être séparées avant l'assemblage.  
Après la séparation, mettez de côté jusqu'au moment de l'assemblage.

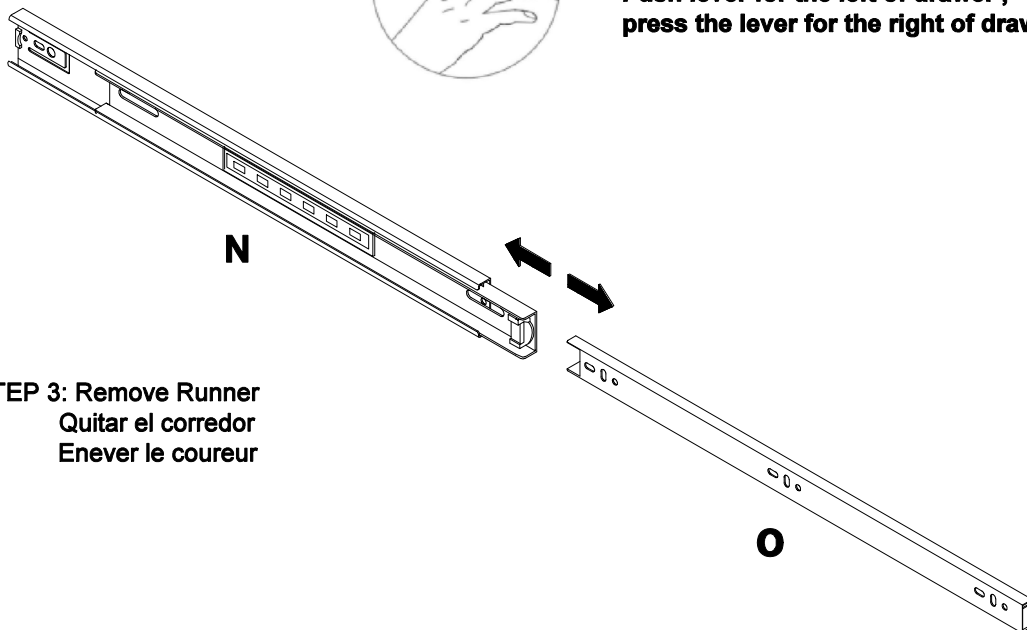
**Pay attention when connecting !  
The sliding module must be at the front end.**

**STEP 1 : Extend Slide  
Extender la diapositiva**



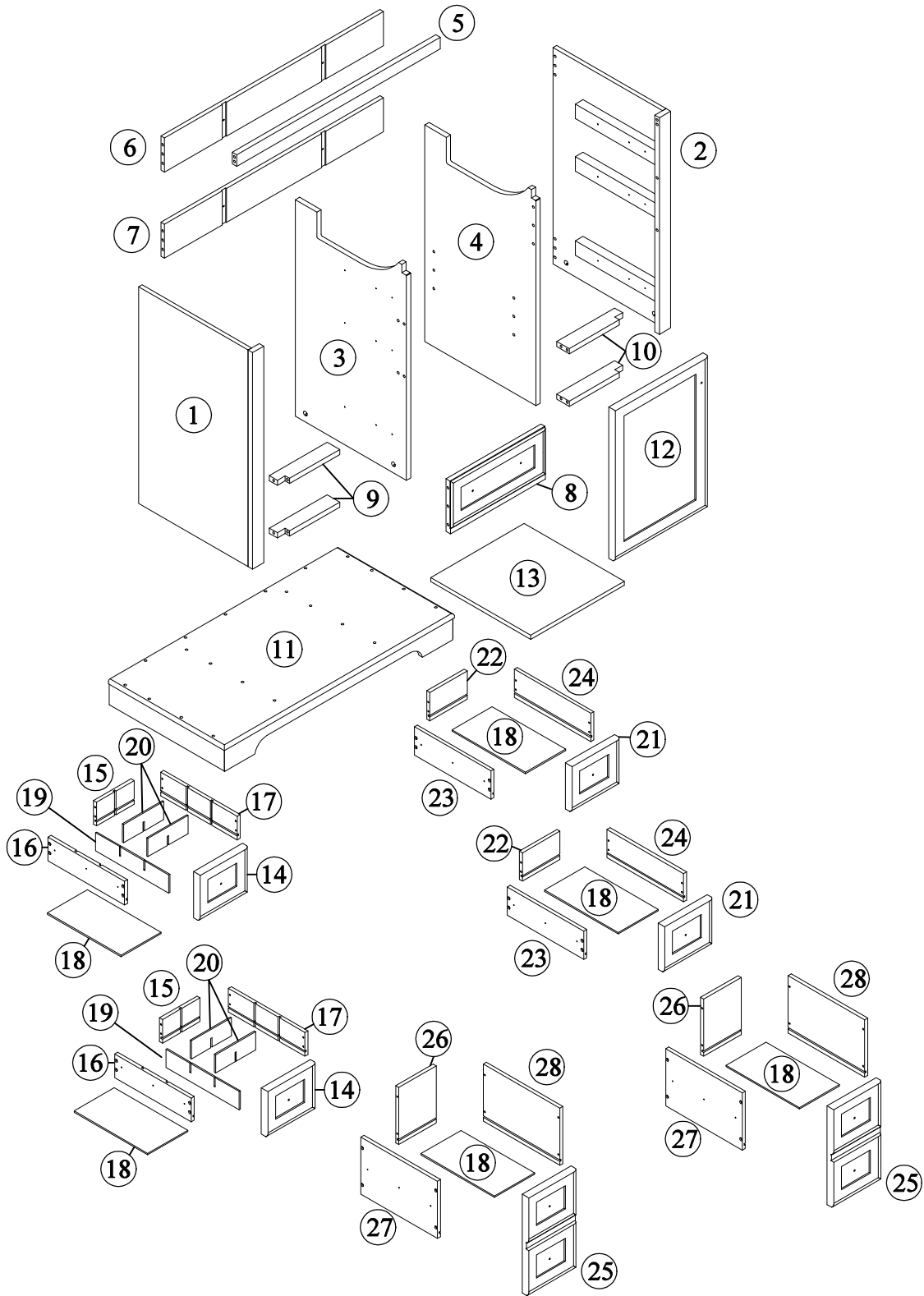
**STEP 2: Push Lever UP  
Empujar hacia arriba  
Lever le levier**

**Push lever for the left of drawer ,  
press the lever for the right of drawer.**



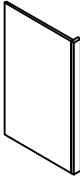
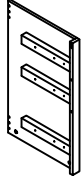
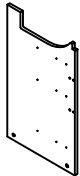
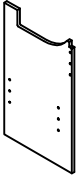
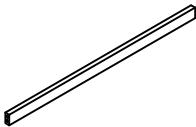
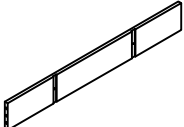
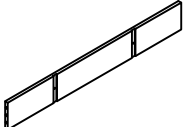
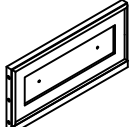
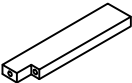
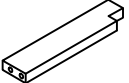
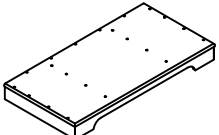
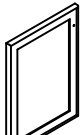
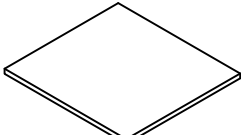
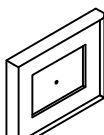
**STEP 3: Remove Runner  
Quitar el corredor  
Enlever le coureur**

# Detail View - CABINET

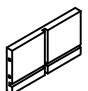
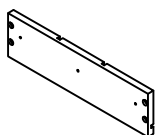
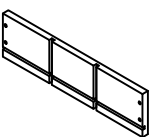
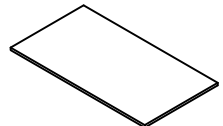
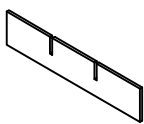
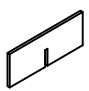
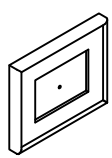
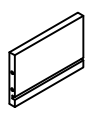
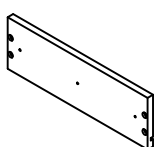
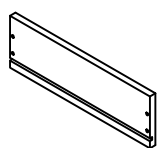
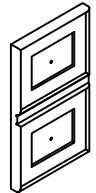
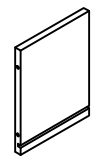
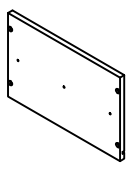
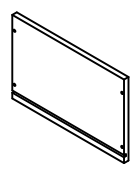


**Identifying the Hardware**-Identify the hardware using the illustrations below.

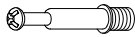




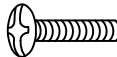




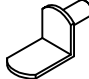
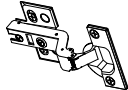

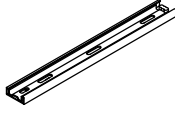
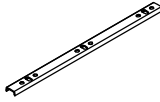
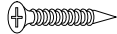

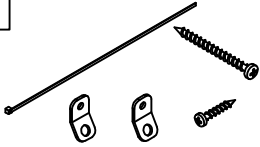
# Part List - WF306253

<p><b>1</b></p>  <p>Side Panel (L) - 1pc</p>	<p><b>2</b></p>  <p>Side Panel (R) - 1pc</p>
<p><b>3</b></p>  <p>Panel Mid (L) - 1pc</p>	<p><b>4</b></p>  <p>Panel Mid (R) - 1pc</p>
<p><b>5</b></p>  <p>Crossbar Top - 1pc</p>	<p><b>6</b></p>  <p>Rear Panel Top - 1pc</p>
<p><b>7</b></p>  <p>Rear Panel Bottom - 1pc</p>	<p><b>8</b></p>  <p>Front Panel Top - 1pc</p>
<p><b>9</b></p>  <p>Crossbar Left - 2pcs</p>	<p><b>10</b></p>  <p>Crossbar - 2pcs</p>
<p><b>11</b></p>  <p>Frame Bottom - 1pc</p>	<p><b>12</b></p>  <p>Door - 1pc</p>
<p><b>13</b></p>  <p>Adjustable Shelf - 1pc</p>	<p><b>14</b></p>  <p>Left Drawer Face - 2pcs</p>

# Part List - WF306253

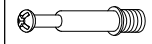
<p><b>15</b></p>  <p>Left Drawer Rear - 2pcs</p>	<p><b>16</b></p>  <p>Left Drawer Side (L) - 2pcs</p>
<p><b>17</b></p>  <p>Left Drawer Side (R) - 2pcs</p>	<p><b>18</b></p>  <p>Drawer bottom - 6pcs</p>
<p><b>19</b></p>  <p>Drawer divide (A) - 2pcs</p>	<p><b>20</b></p>  <p>Drawer divide (B) - 4pcs</p>
<p><b>21</b></p>  <p>Right Drawer Face - 2pcs</p>	<p><b>22</b></p>  <p>Right Drawer Rear - 2pcs</p>
<p><b>23</b></p>  <p>Right Drawer Side (L) - 2pcs</p>	<p><b>24</b></p>  <p>Right Drawer Side (R) - 2pcs</p>
<p><b>25</b></p>  <p>Big Drawer Face - 2pcs</p>	<p><b>26</b></p>  <p>Big Drawer Rear - 2pcs</p>
<p><b>27</b></p>  <p>Big Drawer Side (L) - 2pcs</p>	<p><b>28</b></p>  <p>Big Drawer Side (R) - 2pcs</p>

# Hardware List - WF306253

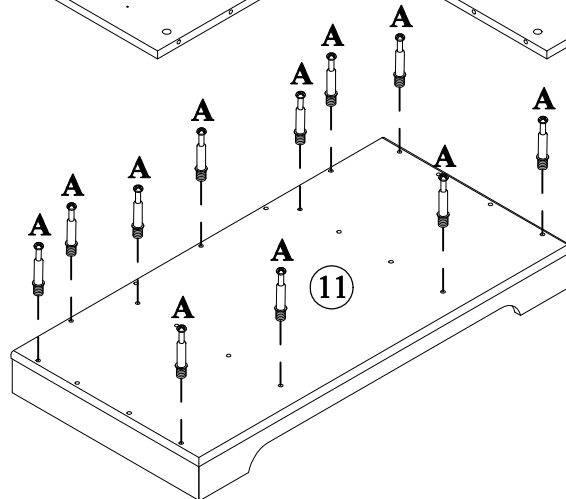
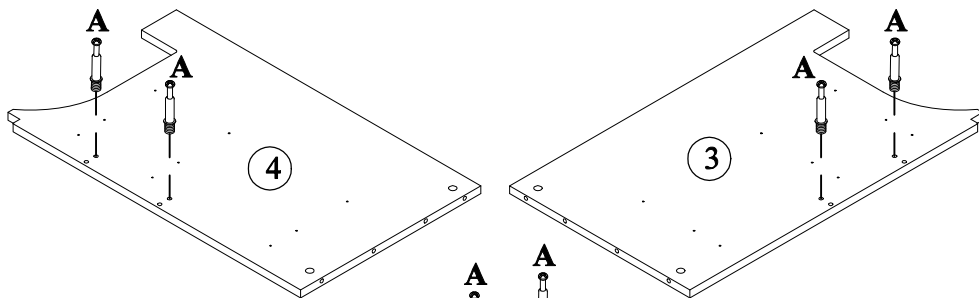
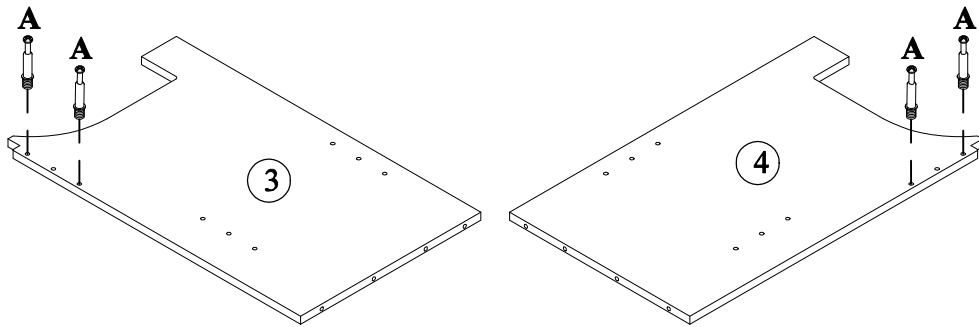
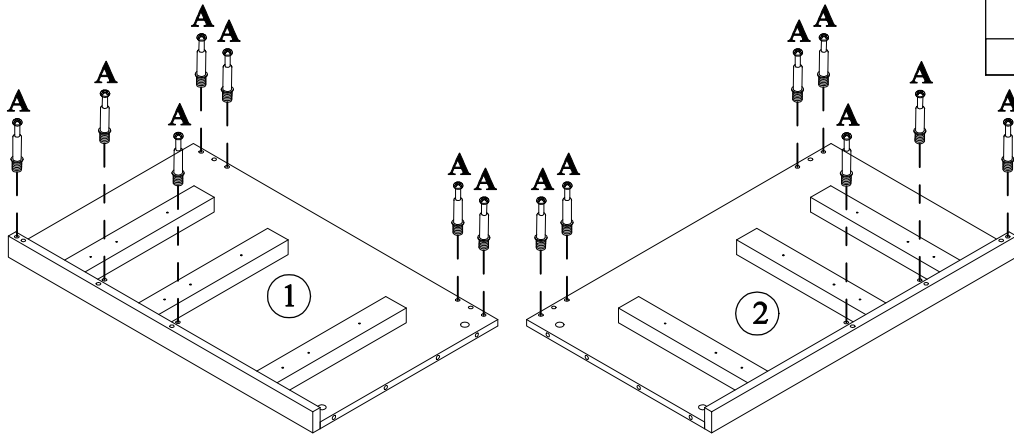
<b>A</b>  ø6x35mm	<b>B</b>  ø14.5x12mm	<b>C</b>  ø8xø4x25mm
Three in one bolts (33pcs)	Three in one lock (33pcs)	Round head screw (4pcs)
<b>D</b>  ø8xø4x32mm	<b>E</b> 	<b>F</b>  ø5/32"x15mm
Round head screw (48pcs)	Handle (11pcs)	Handle screw (4pcs)
<b>G</b>  ø5/32"x20mm	<b>H</b>  ø5/32"x25mm	<b>I</b> 
Handle screw (3pc)	Handle screw (4pcs)	L-Bracket (2pcs)
<b>J</b>  ø7xø3.5x12mm	<b>K</b> 	<b>L</b> 
Round head screw (4pcs)	Laminate pad(4pcs)	Damping hinge (2pcs)
<b>M</b>  ø7xø3.5x15mm	<b>N</b>  ø300x35mm	<b>O</b>  ø298x18mm
Flat head screw (12pcs)	Slide rails (12pcs)	Slide rails (12pcs)
<b>P</b>  ø6xø3x12mm	<b>Q</b>  ø8x30mm	<b>R</b> 
Flat head screw (72pcs)	Wood dowel (28pcs)	Anti fall hardware (1set)

# STEP: 1

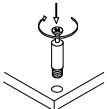
A



33PCS





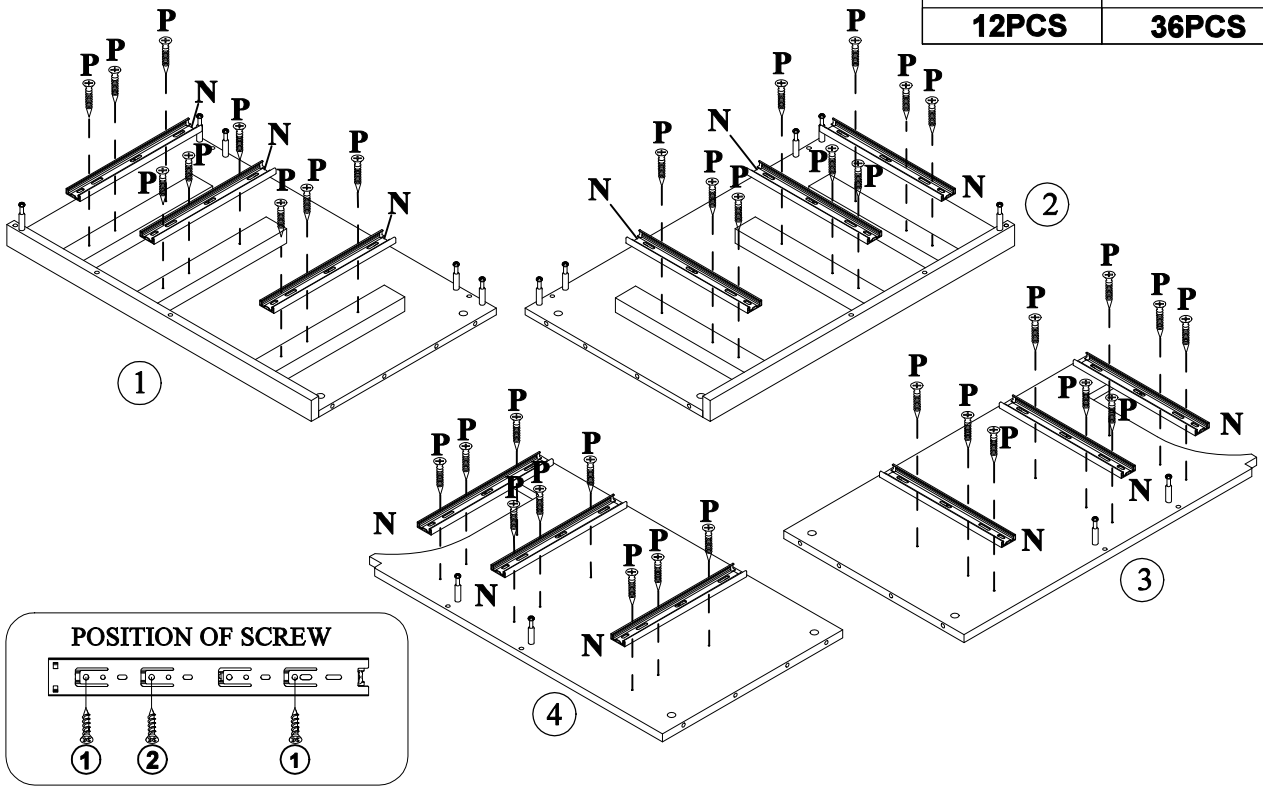
Do Not Over Tighten




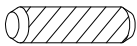


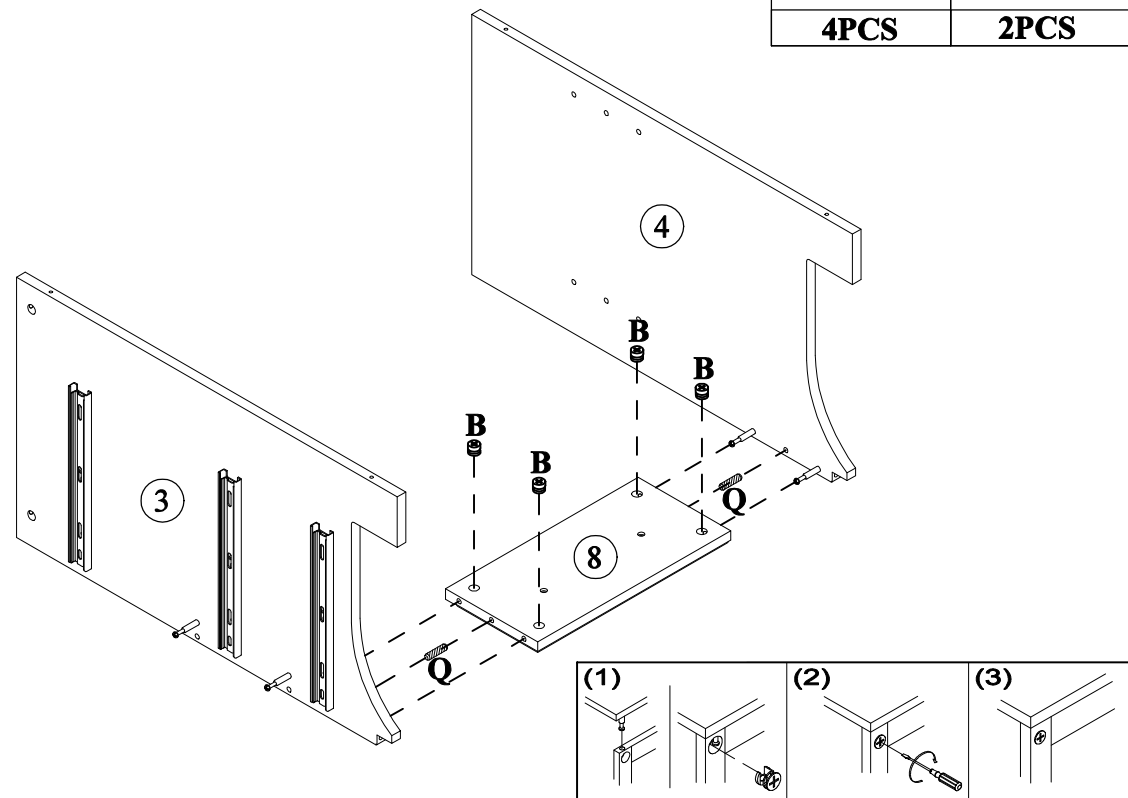
## STEP: 2

<b>N</b>		<b>P</b>	
	<b>12PCS</b>		<b>36PCS</b>







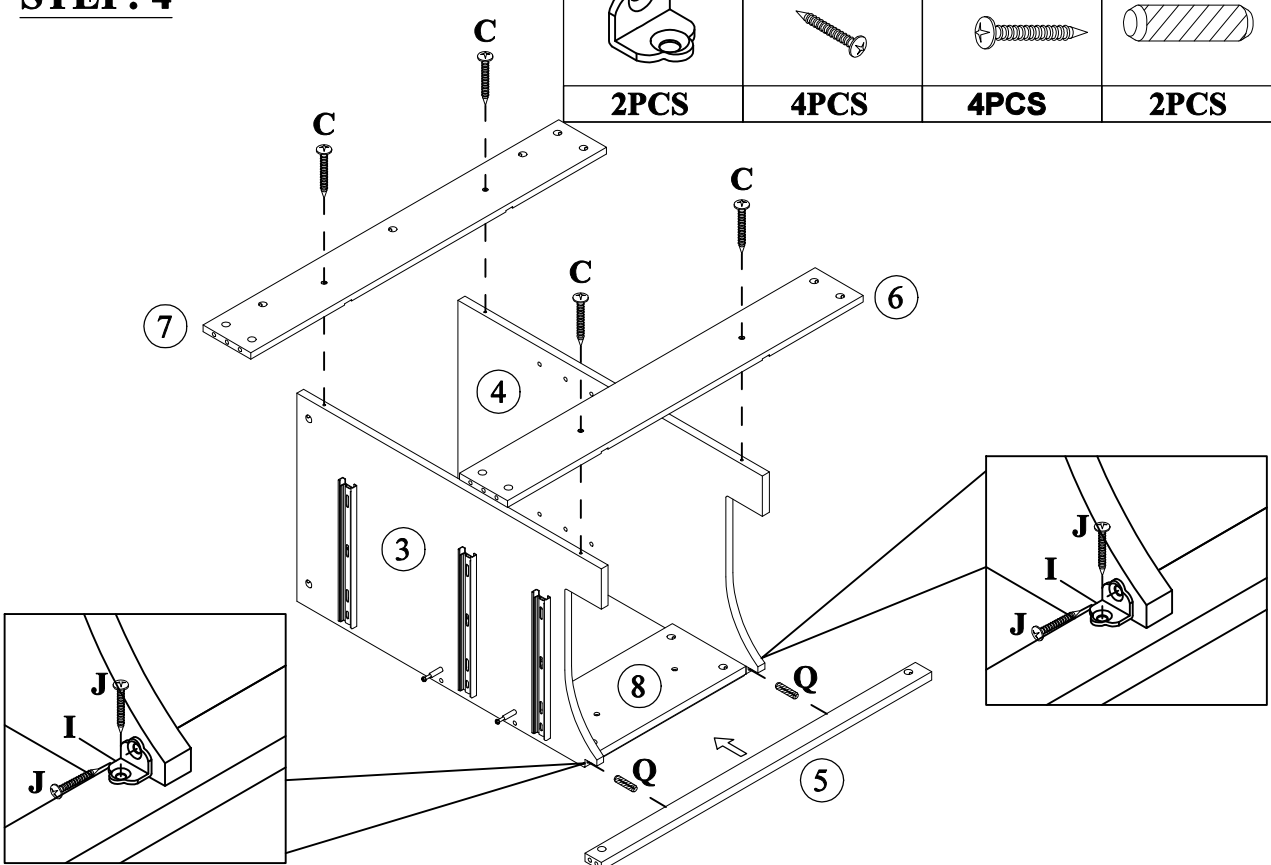
## STEP: 3

<b>B</b>		<b>Q</b>	
	<b>4PCS</b>		<b>2PCS</b>





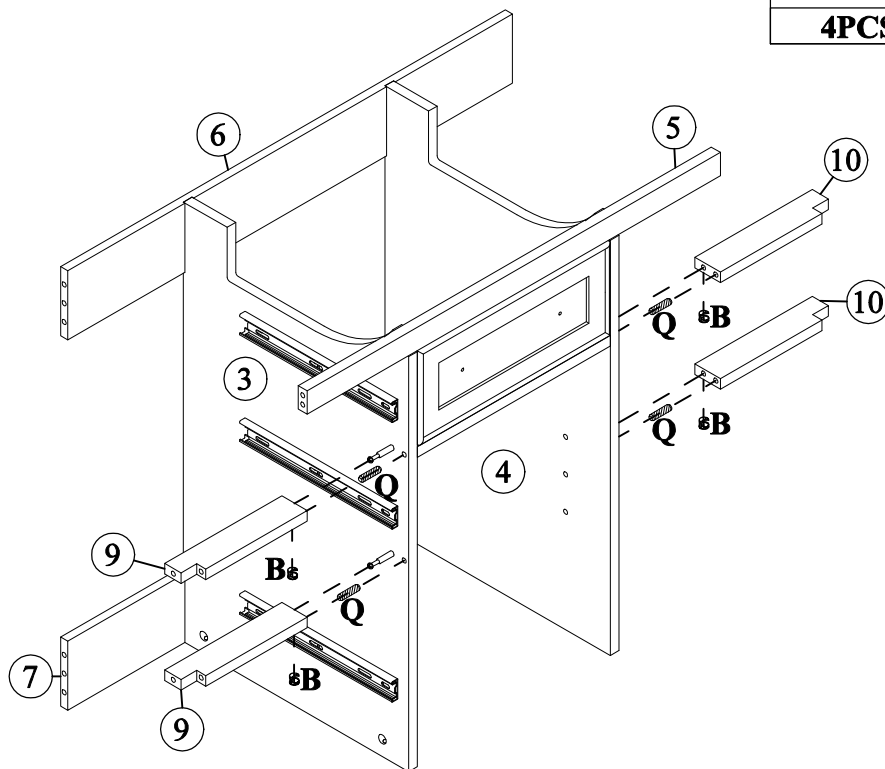
### STEP: 4

<b>I</b>		<b>J</b>		<b>C</b>		<b>Q</b>	
	<b>2PCS</b>		<b>4PCS</b>		<b>4PCS</b>		<b>2PCS</b>


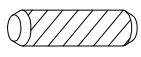


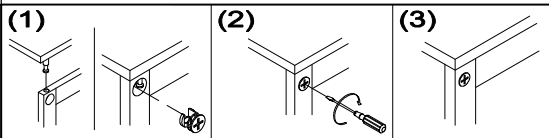
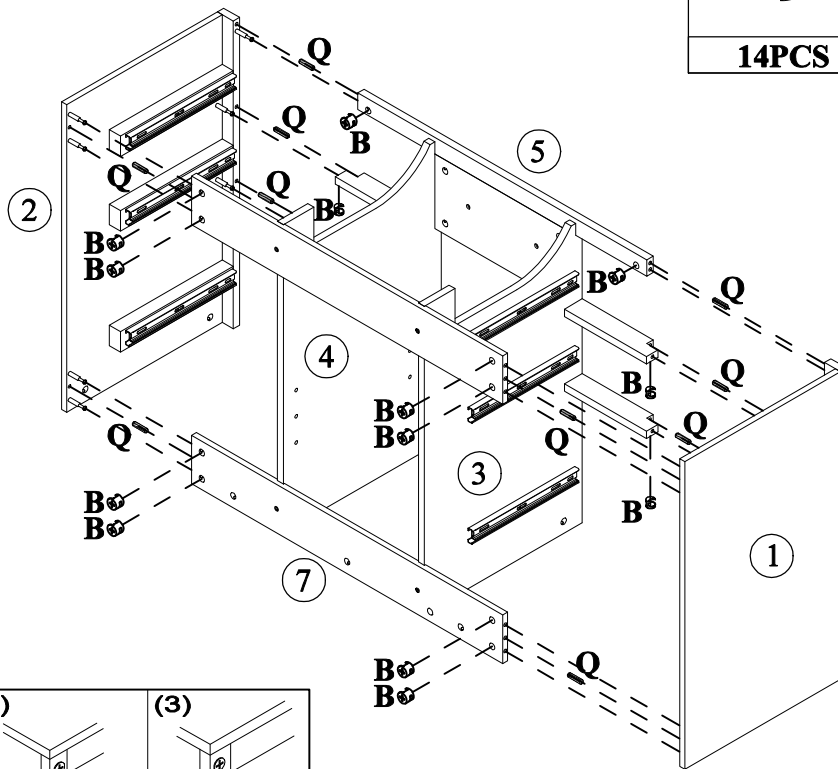
### STEP: 5

<b>B</b>		<b>Q</b>	
	<b>4PCS</b>		<b>4PCS</b>

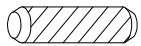


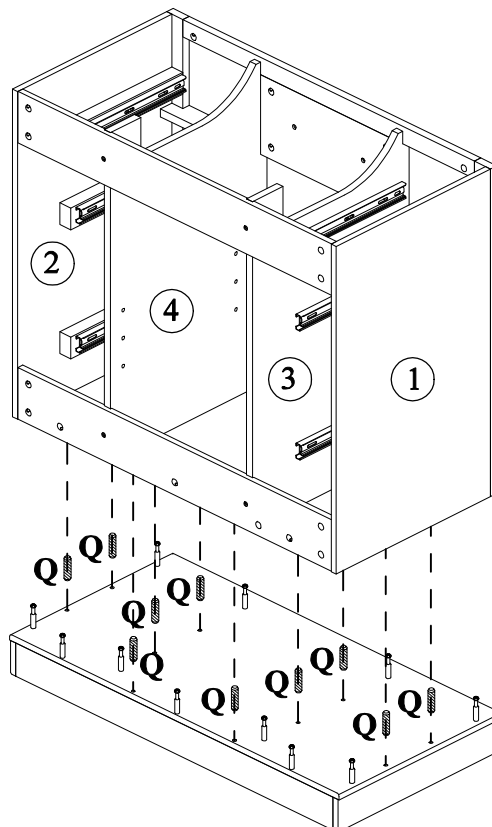
# STEP: 6

<b>B</b>		<b>Q</b>	
	<b>14PCS</b>		<b>10PCS</b>



# STEP: 7

<b>Q</b>	
	<b>10PCS</b>

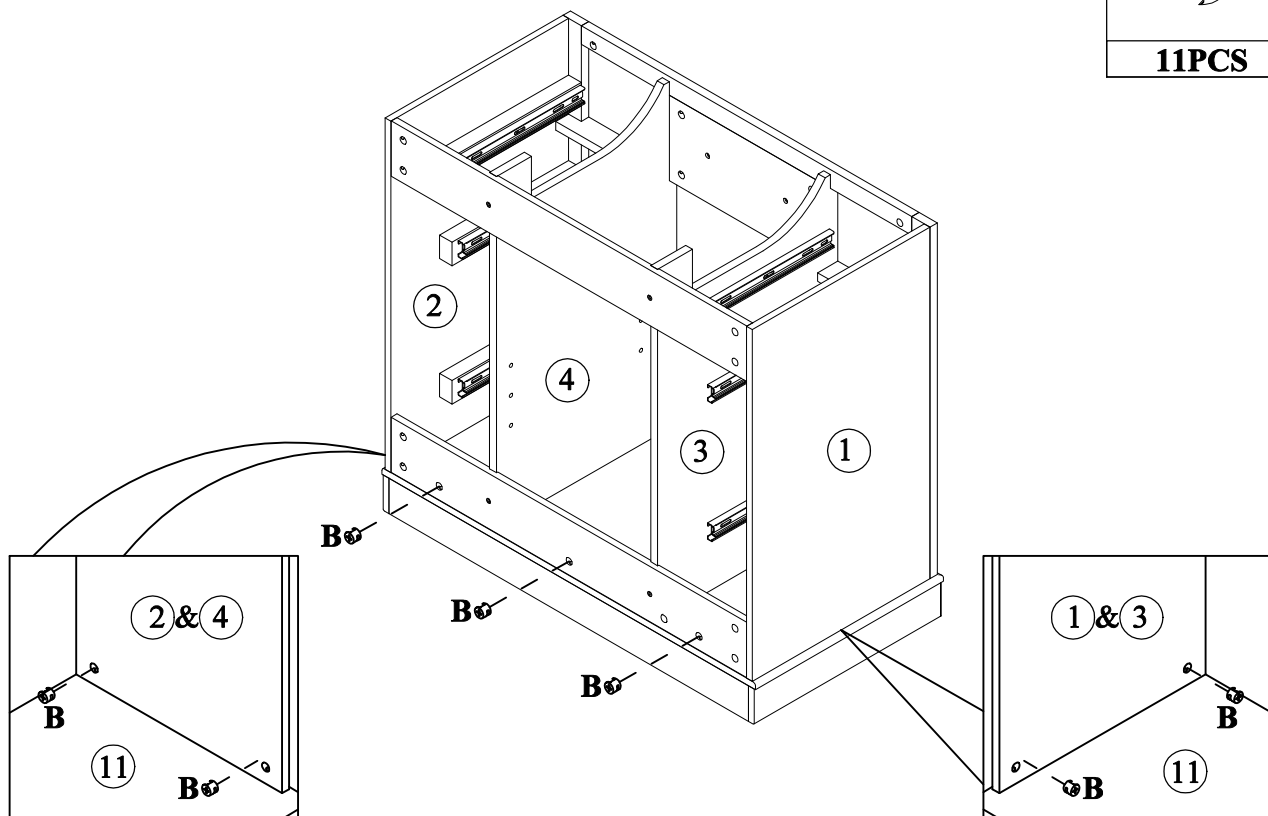


### STEP: 8

**B**



**11PCS**



### STEP: 9

**L**

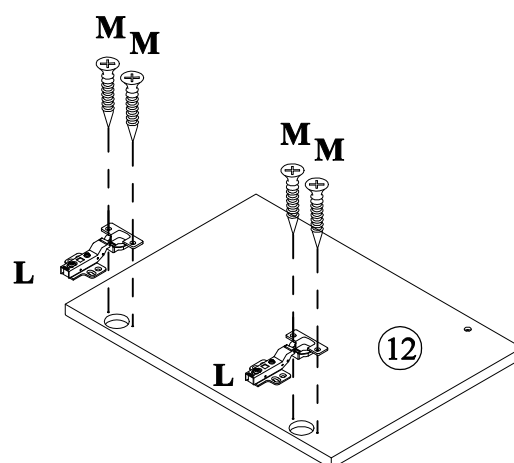


**2PCS**


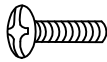
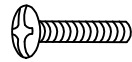
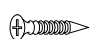
**M**

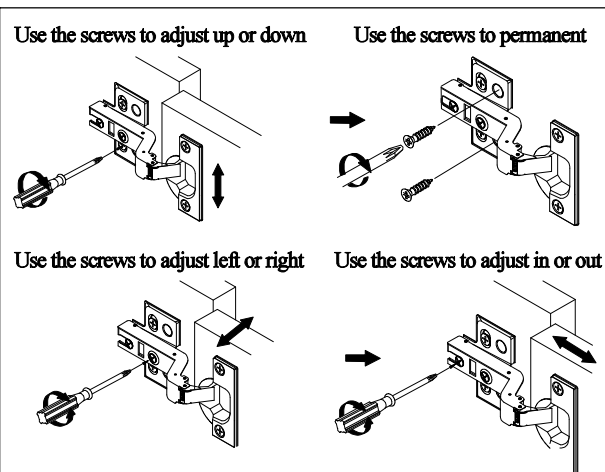
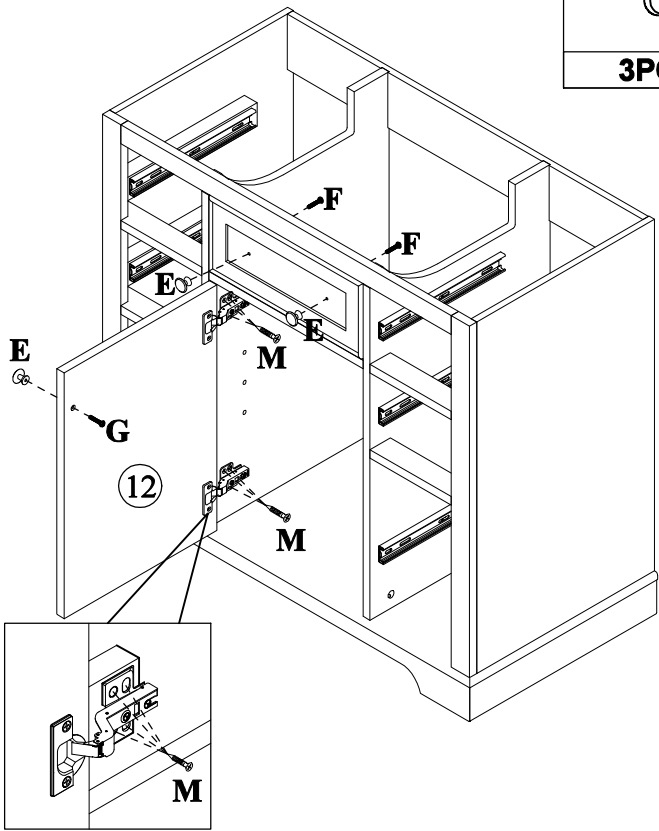


**4PCS**

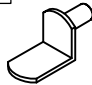


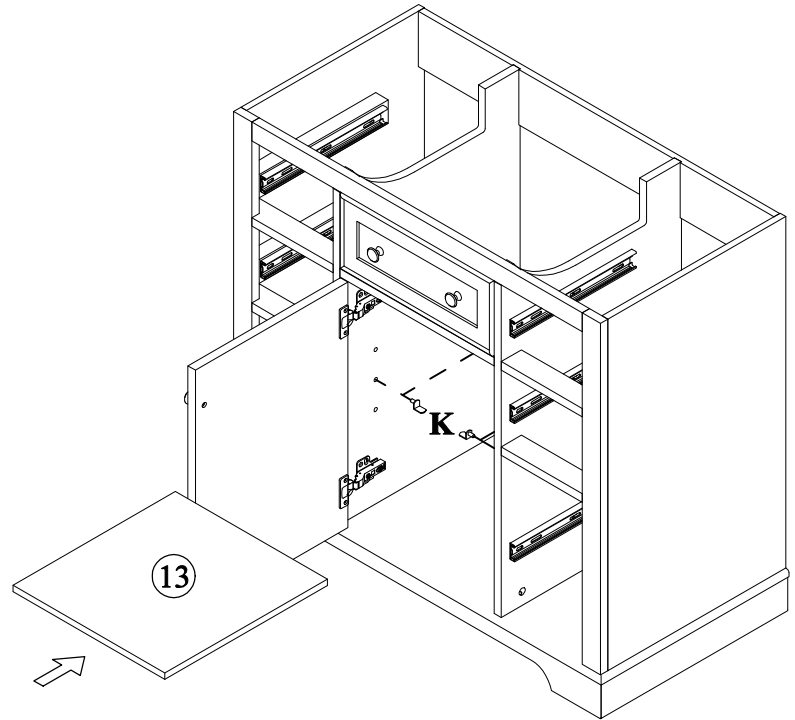
# STEP: 10

<b>E</b>		<b>F</b>		<b>G</b>		<b>M</b>	
<b>3PCS</b>		<b>2PCS</b>		<b>1PC</b>		<b>8PCS</b>	



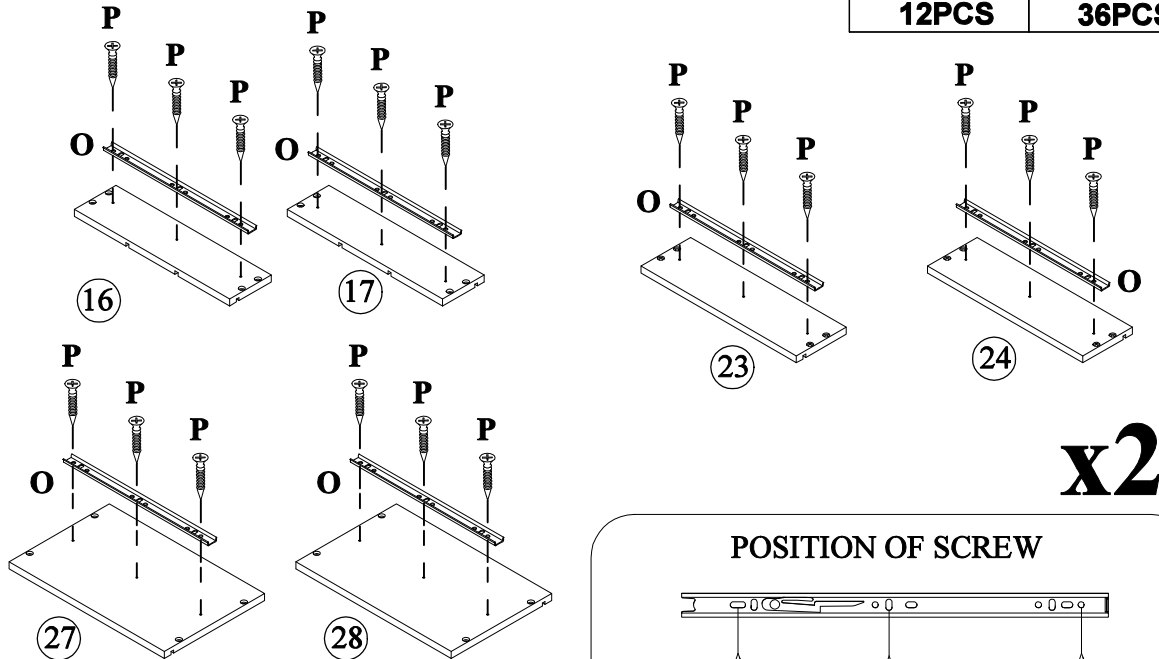
# STEP: 11

<b>K</b>	
<b>4PCS</b>	

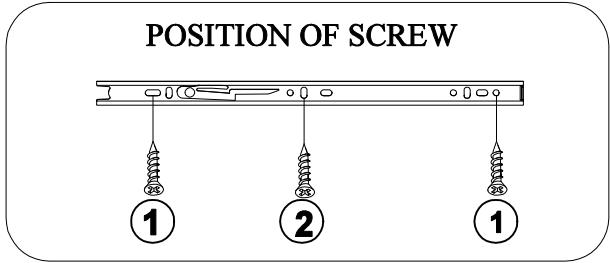


**STEP: 12**

<b>O</b>		<b>P</b>	
	<b>12PCS</b>		<b>36PCS</b>

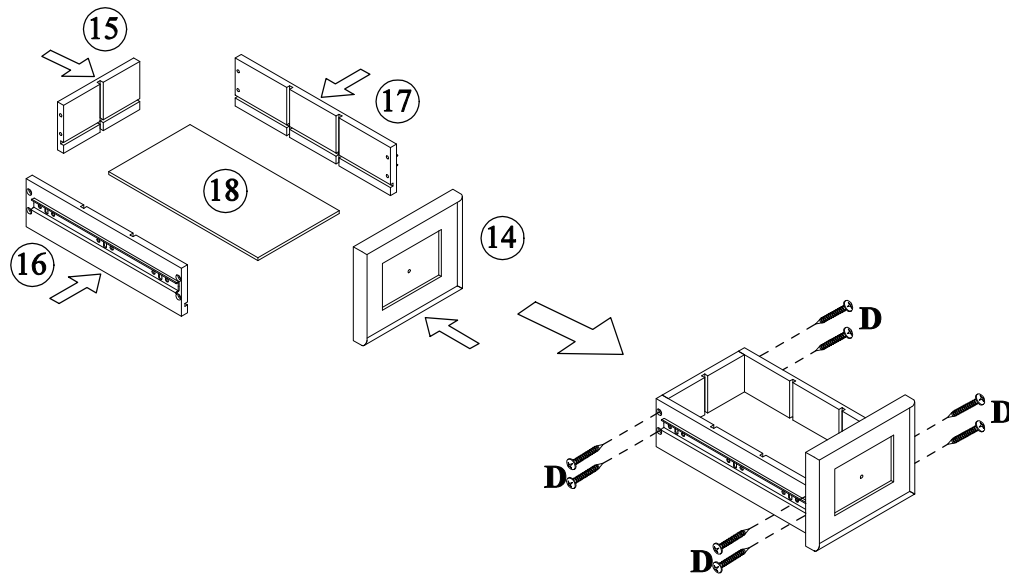


**x2**





**STEP: 13**

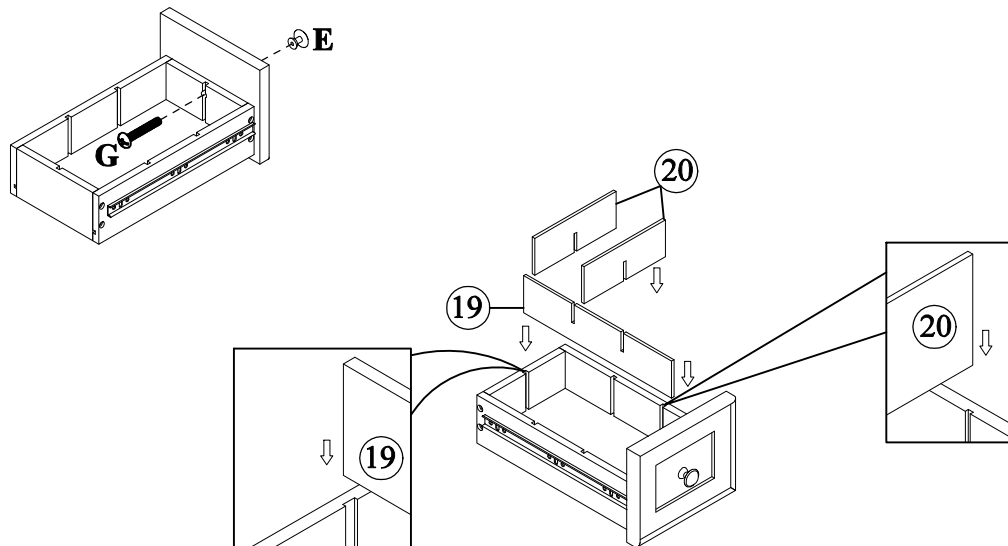
<b>D</b>	
	<b>16PCS</b>



**x2**




**STEP: 14**

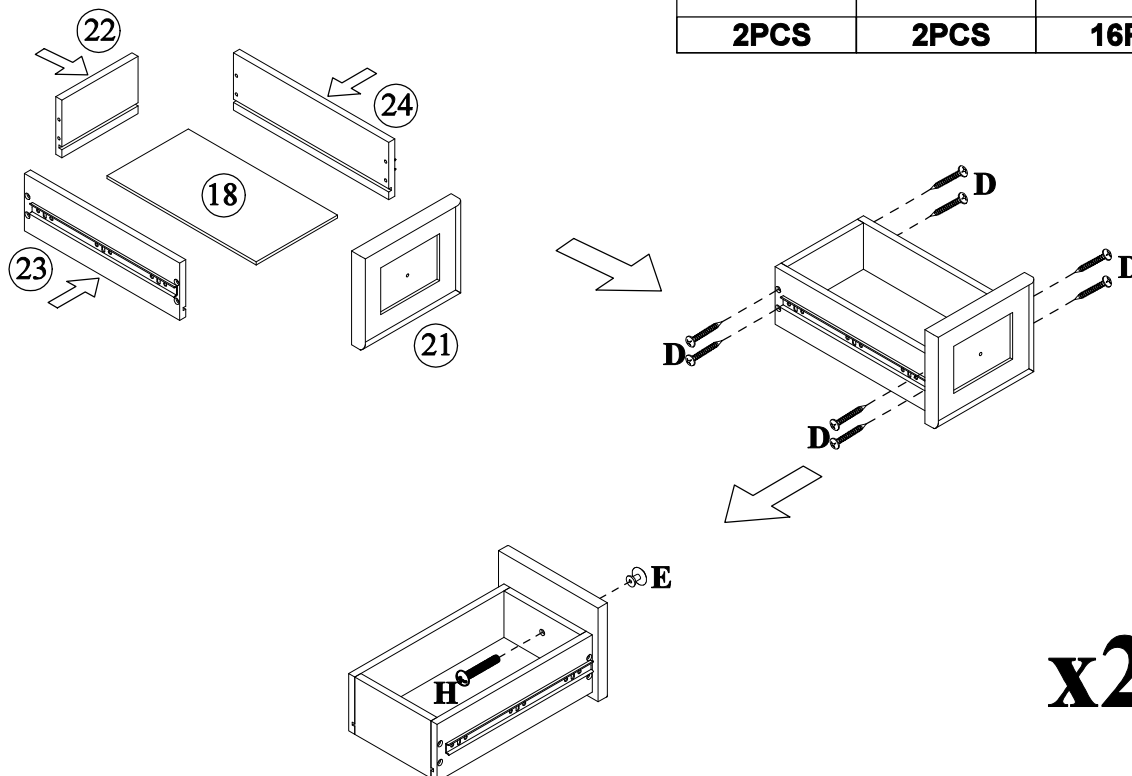
<b>E</b>		<b>G</b>	
	2PCS		2PCS



**x2**


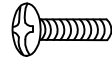


**STEP: 15**

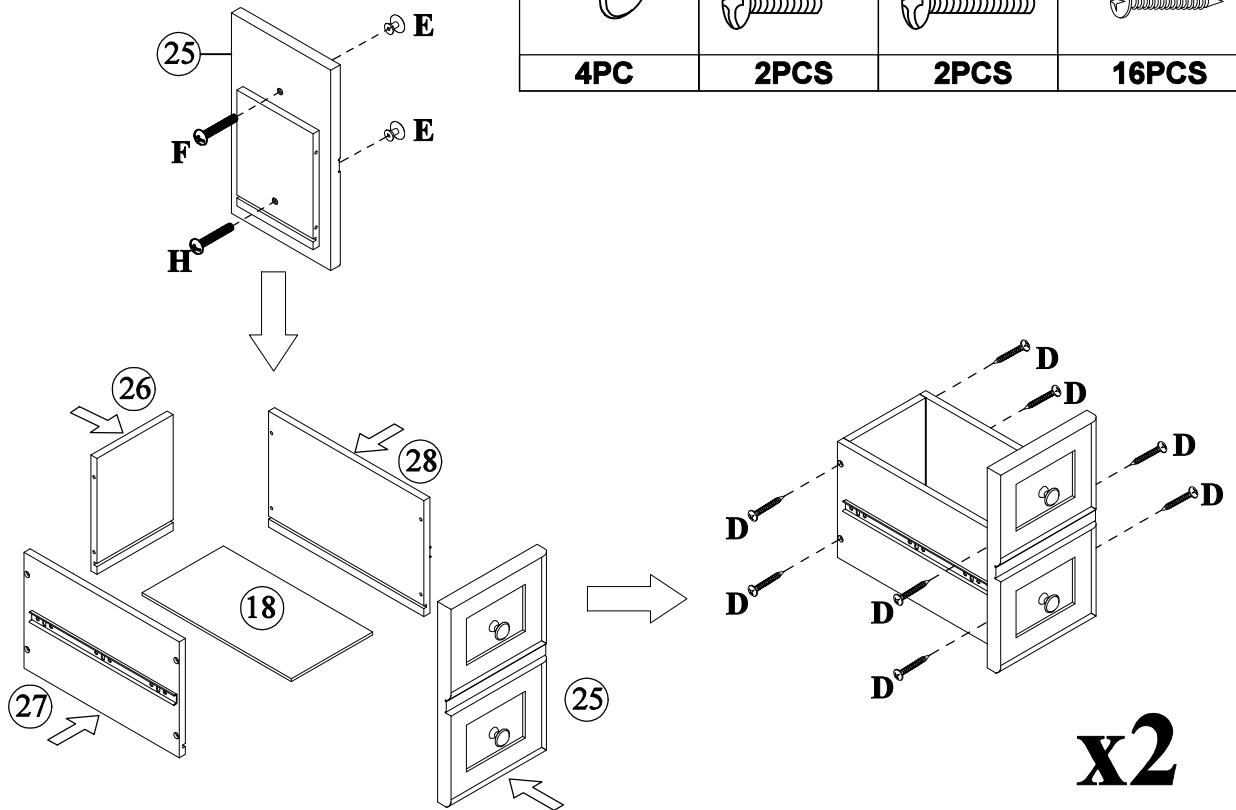
<b>E</b>		<b>H</b>		<b>D</b>	
	2PCS		2PCS		16PCS



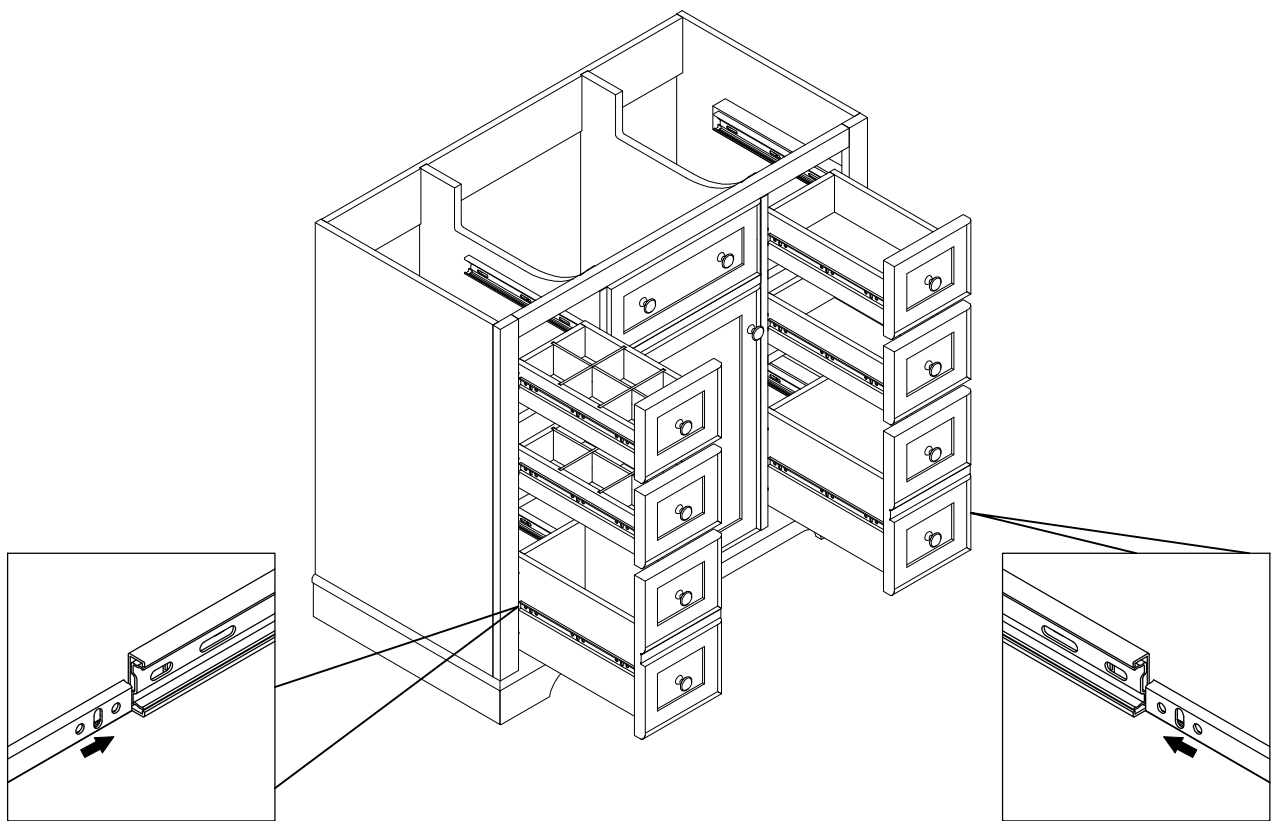
**x2**

# STEP: 16

<b>E</b>	<b>F</b>	<b>H</b>	<b>D</b>
			
<b>4PC</b>	<b>2PCS</b>	<b>2PCS</b>	<b>16PCS</b>



# STEP: 17



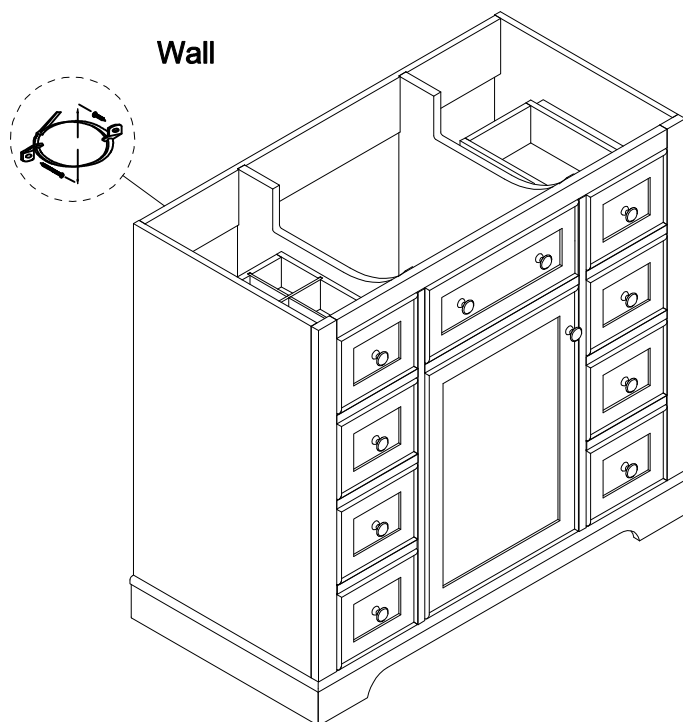


## **STEP: 18**

**R**

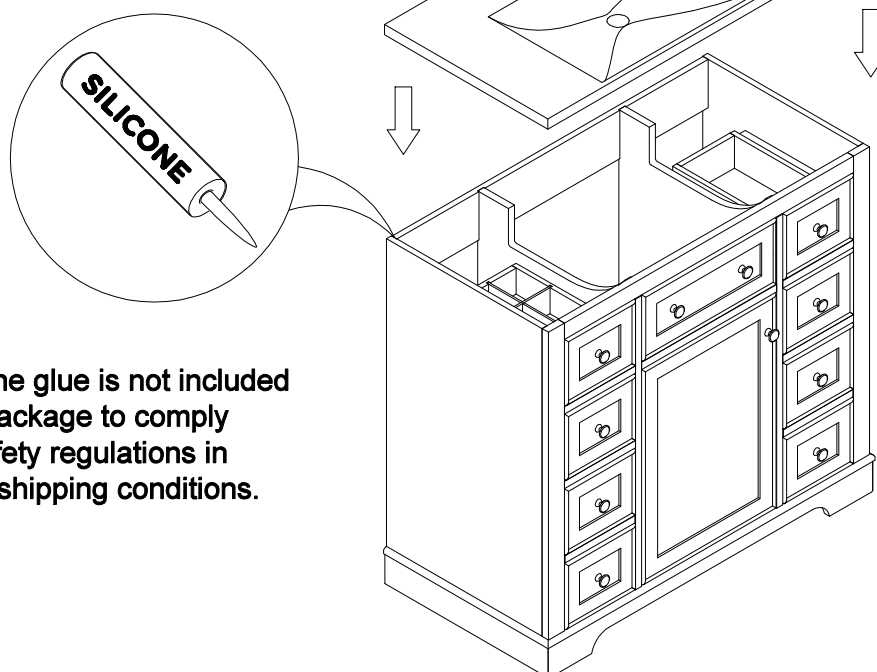


**1SET**



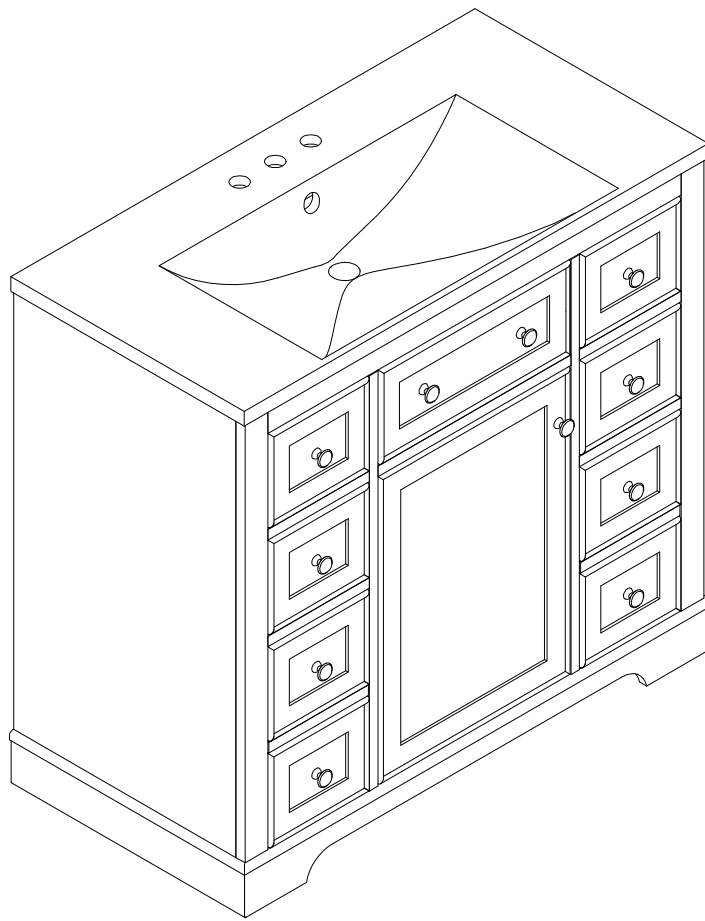
## **STEP: 19**

**Install the sink on the cabinet with glue.  
Let stand for 24 hours**

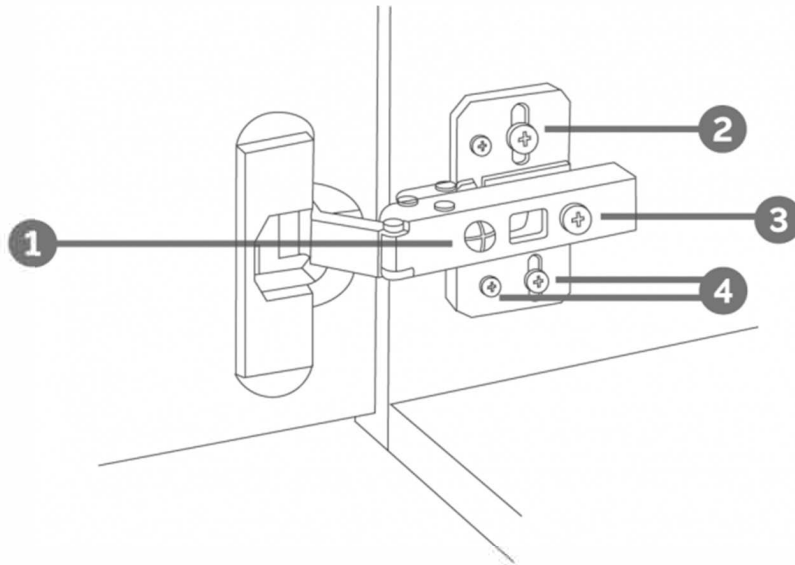


**\*Silicone glue is not included  
in the package to comply  
with safety regulations in  
certain shipping conditions.**

**STEP: 20**

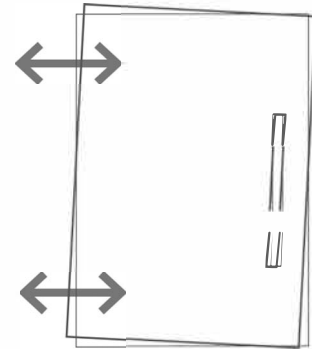


# HINGE ADJUSTMENTS



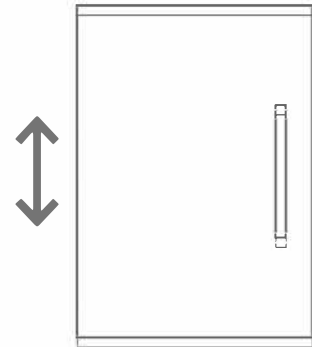
## 1 Sideways / Tilt adjustment

Turn the screw  
**clockwise** to move the door further away from  
the side of the cabinet  
**anticlockwise** to move the door closer to the  
side of the cabinet



## 2 4 Height adjustment

While supporting the weight of the door, turn the  
screws  
**clockwise** to move the door up  
**anticlockwise** to move the door down



## 3 Forward and back adjustment

If the gap between the back of the door and the  
cabinet is too small, and the door may not close  
fully. Turn the screw  
**clockwise** to decrease the gap between the  
door and the cabinet  
**anticlockwise** to increase the gap between the  
door and the cabinet

